

Series CMS



AVENTICS Series CMS Field bus modules

The AVENTICS Series CMS is used to connect valve and fieldbus systems additionally providing centralized I/O-modules. The AVENTICS Series CMS can be connected to AVENTICS valve systems of HF-LG family.

- Bus coupler with driver
- Electrical connections are on the same side as pneumatic connections saving space
- Easy assembly via M12 connectors
- Digital input modules with M8 or M12 connectors
- Up to 6 I/O-modules possible



Product overview

	Page
Fieldbus connection, B-design	
Optional fieldbus connection with I/O function (CMS), B-design.....	5
Accessories CMS	
Series CMS.....	8
I/O module, active	
Round plug connector, Series CON-RD.....	11
Plug - M8x1 - 3-pin - angled - open cable ends - 3-pin	
Round plug connector, Series CON-RD.....	13
Plug - M8x1 - 3-pin - straight - open cable ends - 3-pin	
Round plug connector, Series CON-RD.....	15
Plug - M8x1 - 3-pin - angled - Socket - M8x1 - 3-pin - straight	
Round plug connector, Series CON-RD, Plug M8x1.....	17
Plug - M8x1 - 3-pin - straight - Socket - M8x1 - 3-pin - straight	
Round plug connector, Series CON-RD.....	19
Plug - M8x1 - 3-pin - angled - Screws	
Round plug connector, Series CON-RD.....	20
Plug - M8x1 - 3-pin - straight - Screws	
Round plug connector, Series CON-RD.....	21
Plug - M12x1 - 3-pin - straight - Socket - M8x1 - 3-pin - straight	
Round plug connector, Series CON-RD.....	22
Plug - M12x1 - 3-pin - angled - Socket - M8x1 - 3-pin - straight	
Round plug connector, Series CON-RD.....	23
Plug - M12x1 - 4-pin - straight - Screws	
Round plug connector, Series CON-RD.....	24
Plug - M12x1 - 4-pin - angled - Screws	
Round plug connector, Series CON-RD.....	25
Plug - M12x1 - 4-pin - straight - Thread cutting - Ethernet EtherNet/IP EtherCAT POWERLINK sercos III	
Round plug connector, Series CON-RD.....	26
Plug - M12x1 - 5-pin - straight - open cable ends - 5-pin	
Round plug connector, Series CON-RD.....	27
Plug - M12x1 - 5-pin - angled - open cable ends - 5-pin	
Round plug connector, Series CON-RD.....	29
Plug - M12x1 - 5-pin - angled - Socket - M12x1 - 5-pin - straight	
Round plug connector, Series CON-RD.....	30
Plug - M12x1 - 5-pin - angled - Socket - M12x1 - 5-pin - straight	
Round plug connector, Series CON-RD.....	31
Plug - M12x1 - 5-pin - straight	
Round plug connector, Series CON-RD.....	32
Plug - M12x1 - 5-pin - straight - CANopen DeviceNet	
Round plug connector, Series CON-RD.....	33
Plug - M12x1 - 8-pin - straight - Socket - M12x1 - 8-pin - straight	
Y-Plug connector, series CON-RD.....	35
Plug - M12x1 - 4-pin - straight - 2 x open cable ends - 3-pin	
Y-Plug connector, series CON-RD.....	36
Plug - M12x1 - 4-pin - straight - 2x Socket - M8x1 - 3-pin - straight	
Adapter, Series CON-AP.....	37
Plug - M8x1 - 3-pin - straight - Socket - M12x1 - 3-pin - straight	

Product overview

	Page
Data final plug, Series CON-RD.....	38
Plug - M12x1 - 4-pin - PROFIBUS DP	
Data final plug, Series CON-RD.....	39
Plug - M12x1 - 5-pin - CANopen DeviceNet	
Y-Plug connector, series CON-AP.....	40
Plug - M12x1 - 4-pin - 2x Socket - M8x1 - 3-pin	
Y-Plug connector, series CON-AP.....	41
Plug - M12x1 - 5-pin - 2x Socket - M12x1 - 5-pin	
Round plug connector, Series CON-RD.....	43
With knurled nut - Socket - M12x1 - 4-pin - straight - Screws	
Round plug connector, Series CON-RD.....	44
With knurled nut - Socket - M12x1 - 4-pin - angled - Screws	
Round plug connector, Series CON-RD.....	45
Socket - M12x1 - 5-pin - straight - Screws - CANopen DeviceNet	
Round plug connector, Series CON-RD.....	46
Socket - M12x1 - 5-pin - straight - Screws - PROFIBUS DP	
End plate left.....	47
End plate left.....	48
Protective cap, series CON-RD, M8x1.....	49
M8x1 - M8x1	
Protective cap, series CON-RD, M12x1.....	50
M12x1 - M12x1	

Optional fieldbus connection with I/O function (CMS), B-design

Electrical connection 2, thread size: M12

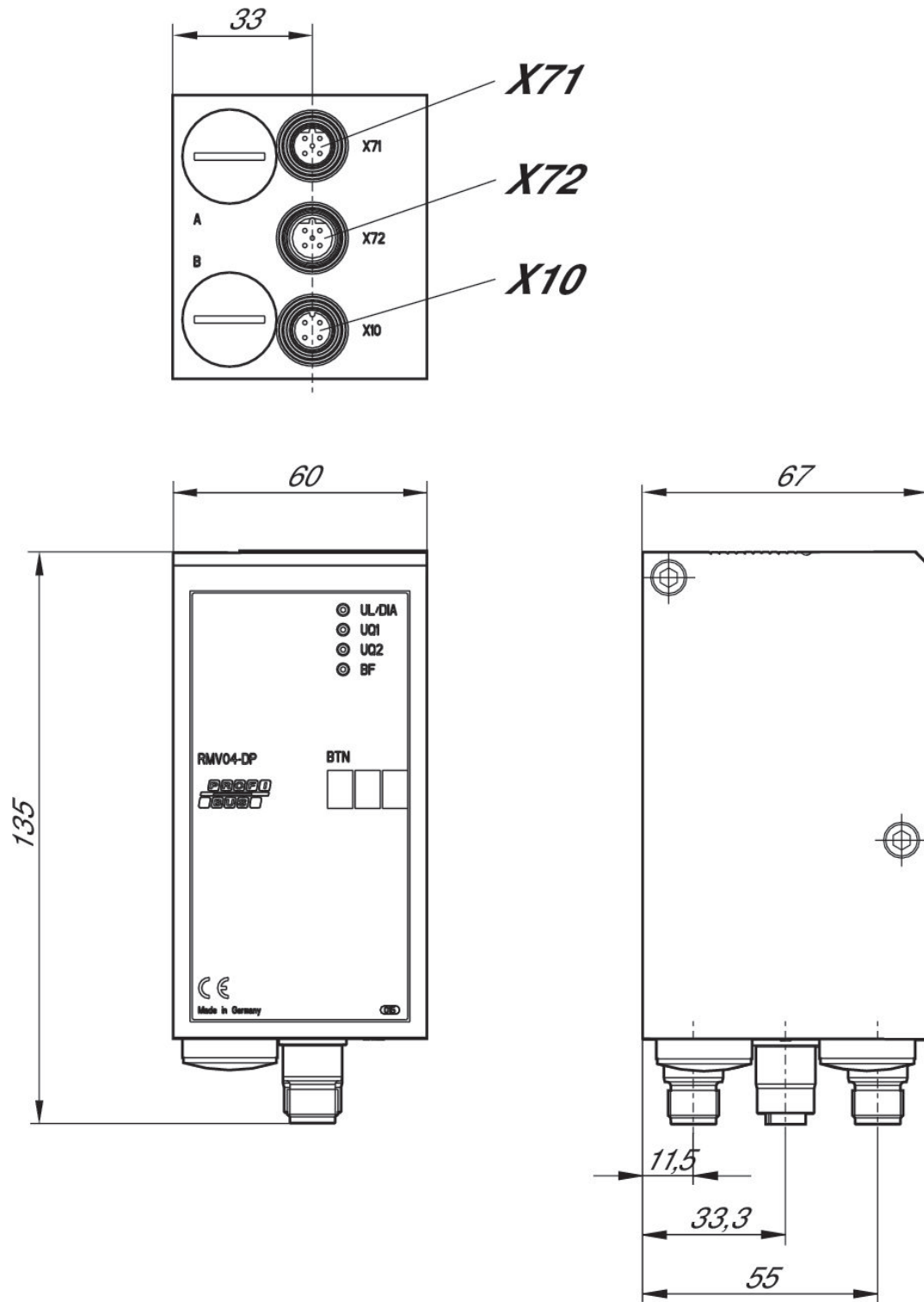
Electrical connection 2, number of poles: 5-pin

Ambient temperature min./max.: 0 °C ... 50 °C



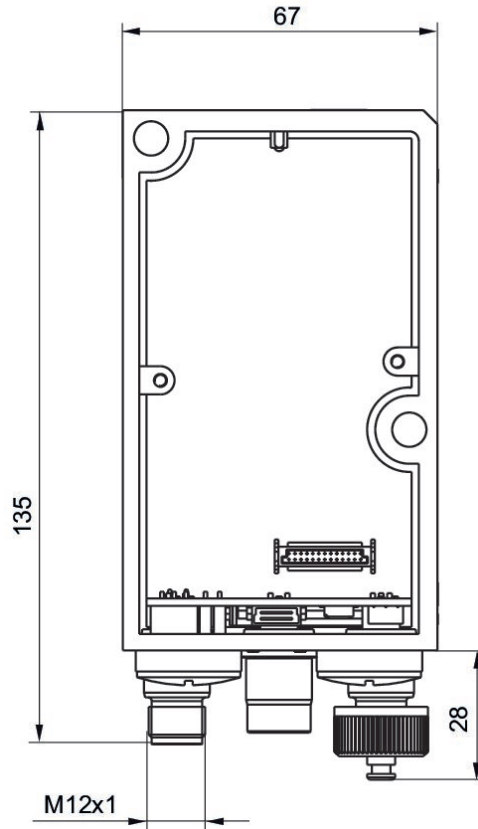
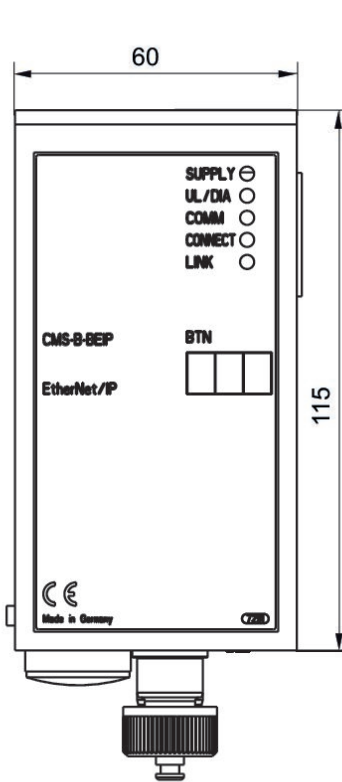
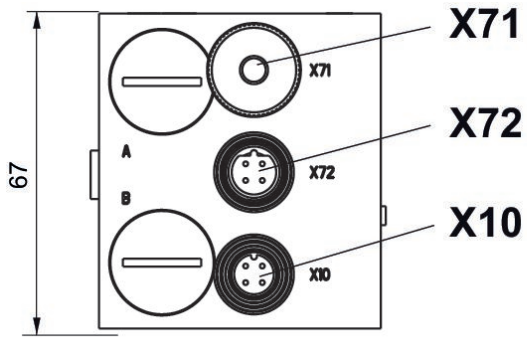
Min. ambient temperature [°C]	Max. ambient temperature [°C]	Fieldbus protocol	Version	Number of I/O connections	Part No.
0	50	PROFIBUS DP	Bus coupler with driver	24 outputs	R412003484
0	50	PROFIBUS DP	Bus coupler with driver	32 outputs	R412008516
0	50	EtherNet/IP	Bus coupler with driver	32 outputs	R412012755
0	50	PROFINET IO	Bus coupler with driver	32 outputs	R412014581

Dimensions



X71, (Bus IN), M12x1 X72, (Bus OUT), M12x1 X10, (Power), M12x1

R412012755



X71 = optional interface X72 = Bus X10 = Power

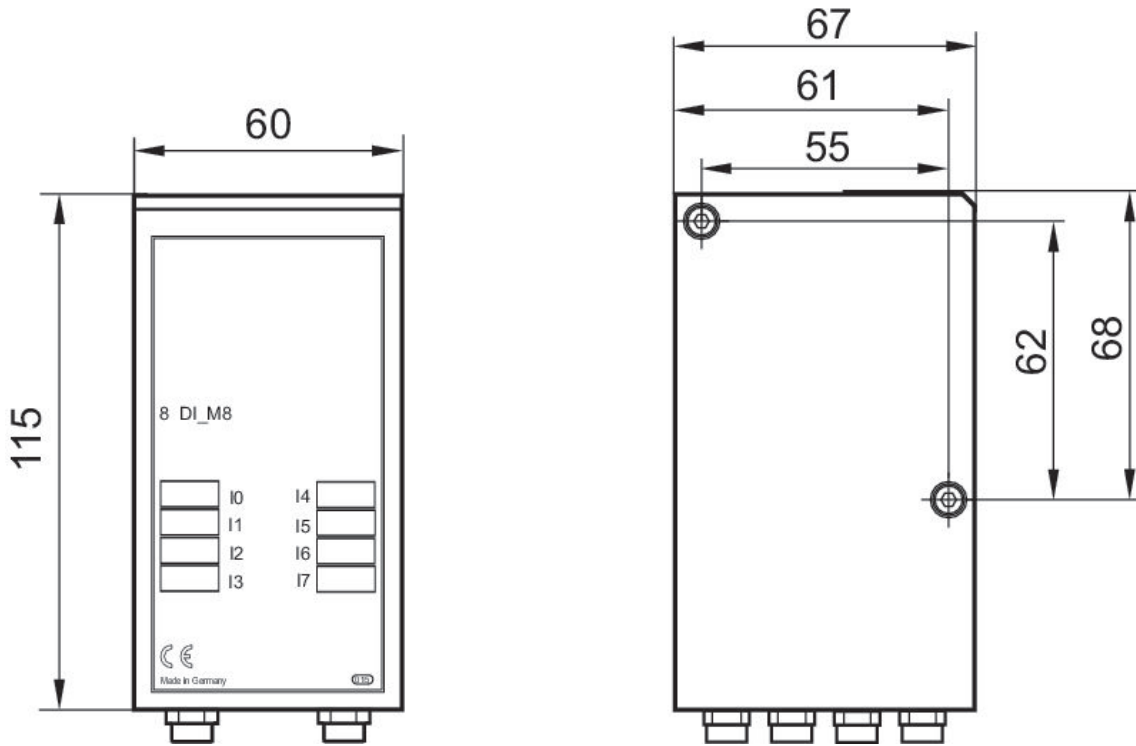
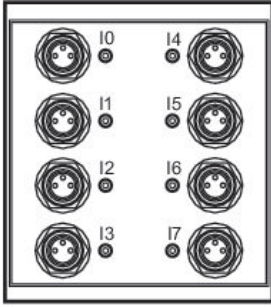
Series CMS

Ambient temperature min./max.: 0 °C ... 50 °C

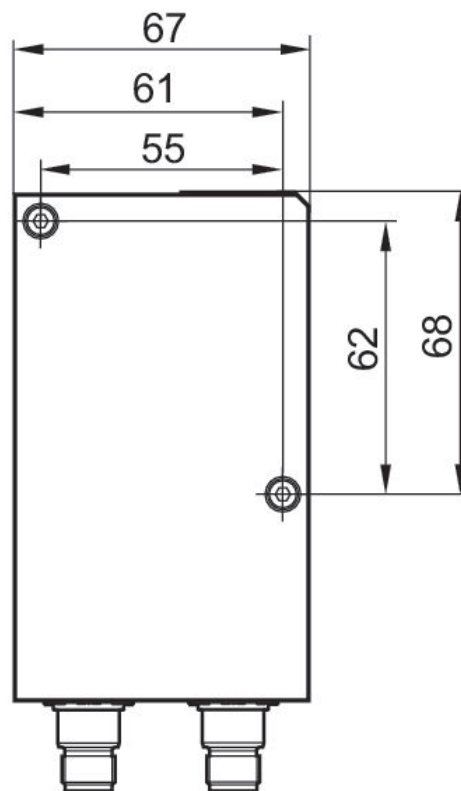
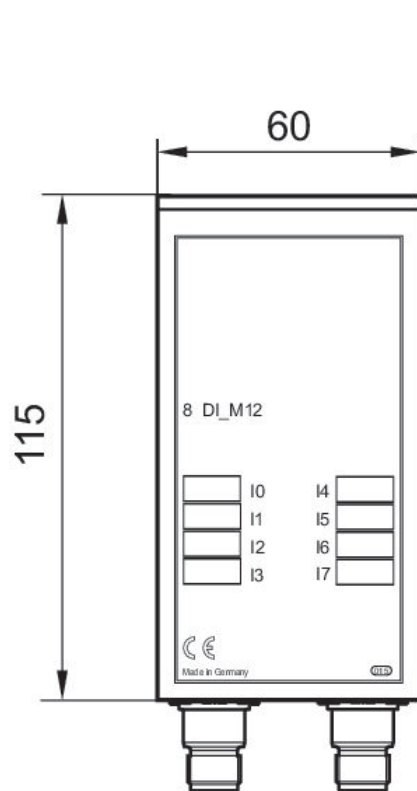
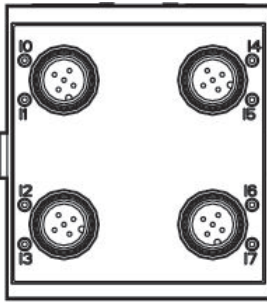


Min. ambient temperature [°C]	Max. ambient temperature [°C]	Version	Signal connection	Part No.
0	50	I/O module, active	M8	R412003489
0	50	I/O module, active	M12	R412000871

R412003489



R412000871



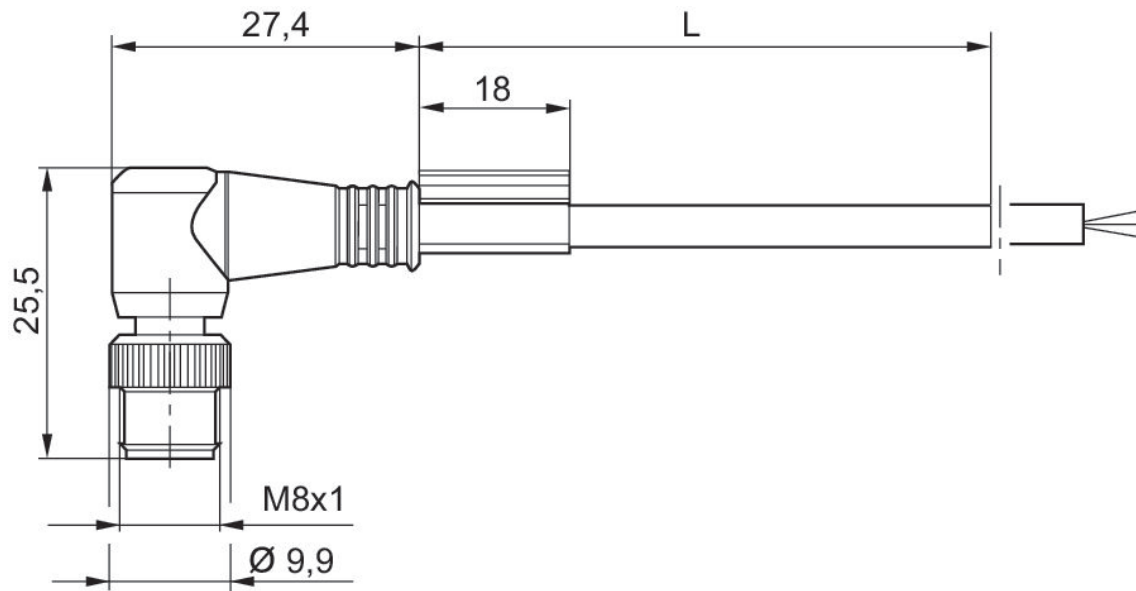
Round plug connector, Series CON-RD

Electrical connection 1: Plug ... M8x1 ... 3-pin ... angled
 Electrical connection 2: open cable ends ... 3-pin
 Ambient temperature min./max.: -25 °C ... 85 °C



Operational voltage	Electrical connection 1, type	Electrical connection 1, thread size	Electrical connection 1, number of poles	Electrical connection 1, coding	Electrical connection 2, type	Electrical connection 2, number of poles	Cable length [m]	Part No.
48 V AC/DC	Plug	M8x1	3-pin	A-coded	open cable ends	3-pin	2	R412021678
48 V AC/DC	Plug	M8x1	3-pin	A-coded	open cable ends	3-pin	5	R412021679
48 V AC/DC	Plug	M8x1	3-pin	A-coded	open cable ends	3-pin	10	R412021680

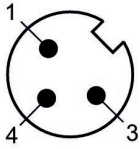
Dimensions



L = length

R412021678, R412021679, R412021680

Plug pin assignment



(1) BN=brown (3) BU=blue (4) BK=black

Round plug connector, Series CON-RD

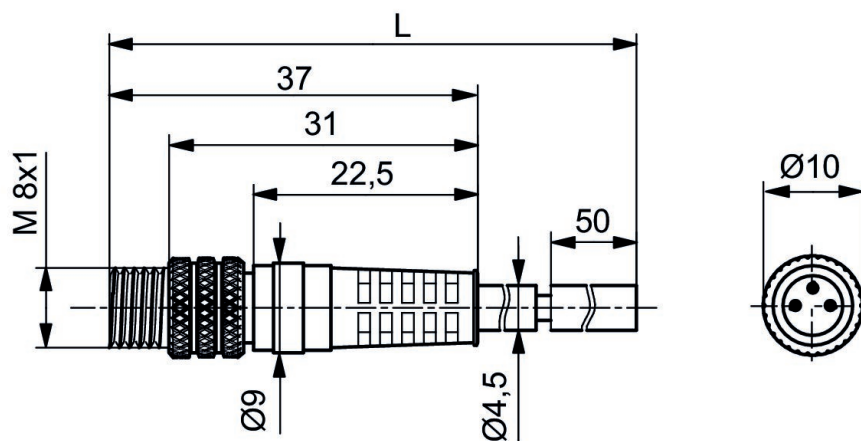
Electrical connection 1: Plug ... M8x1 ... 3-pin ... straight

Electrical connection 2: open cable ends ... 3-pin



Operational voltage	Electrical connection 1, type	Electrical connection 1, thread size	Electrical connection 1, number of poles	Electrical connection 1, coding	Electrical connection 2, type	Electrical connection 2, number of poles	Cable length [m]	Part No.
30 V AC/DC	Plug	M8x1	3-pin	A-coded	open cable ends	3-pin	3	8946203602
30 V AC/DC	Plug	M8x1	3-pin	A-coded	open cable ends	3-pin	5	8946203612
30 V AC/DC	Plug	M8x1	3-pin	A-coded	open cable ends	3-pin	10	8946203622

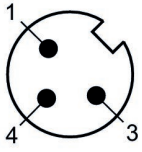
Dimensions



L = length

8946203602, 8946203612, 8946203622

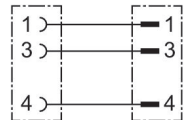
Plug pin assignment



(1) BN=brown (3) BU=blue (4) BK=black

Round plug connector, Series CON-RD

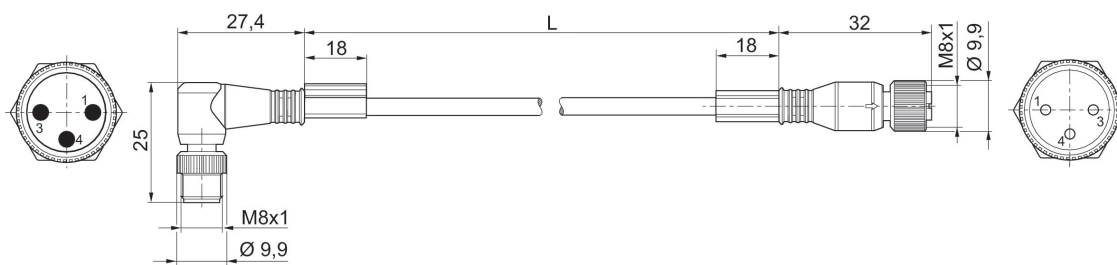
Electrical connection 1: Plug ... M8x1 ... 3-pin ... angled
 Electrical connection 2: Socket ... M8x1 ... 3-pin ... straight
 Ambient temperature min./max.: -25 °C ... 85 °C



Operational voltage	Electrical connection 1, type	Electrical connection 1, thread size	Electrical connection 1, number of poles	Electrical connection 1, coding	Electrical connection 2, type	Electrical connection 2, thread size	Electrical connection 2, number of poles	Part No.
48 V AC/DC	Socket	M8x1	3-pin	A-coded	Plug	M8x1	3-pin	R412021681
48 V AC/DC	Socket	M8x1	3-pin	A-coded	Plug	M8x1	3-pin	R412021682
48 V AC/DC	Socket	M8x1	3-pin	A-coded	Plug	M8x1	3-pin	R412021683

Electrical connection 2, coding	Cable length [m]	Part No.
A-coded	1	R412021681
A-coded	2	R412021682
A-coded	5	R412021683

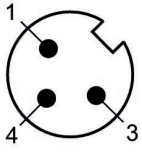
Dimensions



L = length

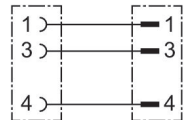
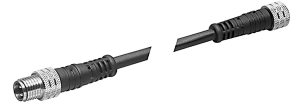
R412021681, R412021682, R412021683

Plug pin assignment



Round plug connector, Series CON-RD, Plug M8x1

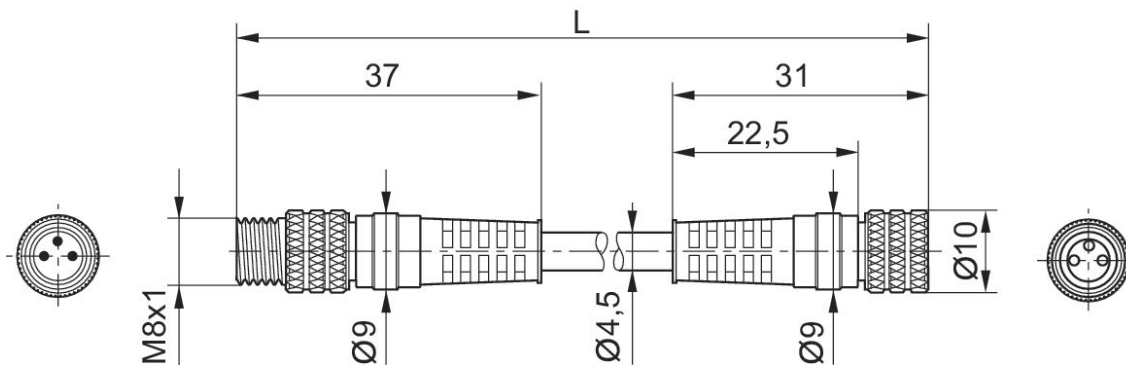
Electrical connection 1: Plug ... M8x1 ... 3-pin ... straight
Electrical connection 2: Socket ... M8x1 ... 3-pin ... straight



Electrical connection 1, type	Electrical connection 1, thread size	Electrical connection 1, number of poles	Electrical connection 1, coding	Electrical connection 2, type	Electrical connection 2, thread size	Electrical connection 2, number of poles	Electrical connection 2, coding	Part No.
Socket	M8x1	3-pin	A-coded	Plug	M8x1	3-pin	A-coded	8946203702
Socket	M8x1	3-pin	A-coded	Plug	M8x1	3-pin	A-coded	8946203712
Socket	M8x1	3-pin	A-coded	Plug	M8x1	3-pin	A-coded	8946203722

Cable length [m]	Part No.
1	8946203702
2	8946203712
5	8946203722

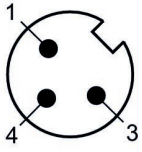
Dimensions



L = length

8946203702, 8946203712, 8946203722

Plug pin assignment

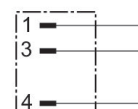


Round plug connector, Series CON-RD

Electrical connection 1: Plug ... M8x1 ... 3-pin ... angled

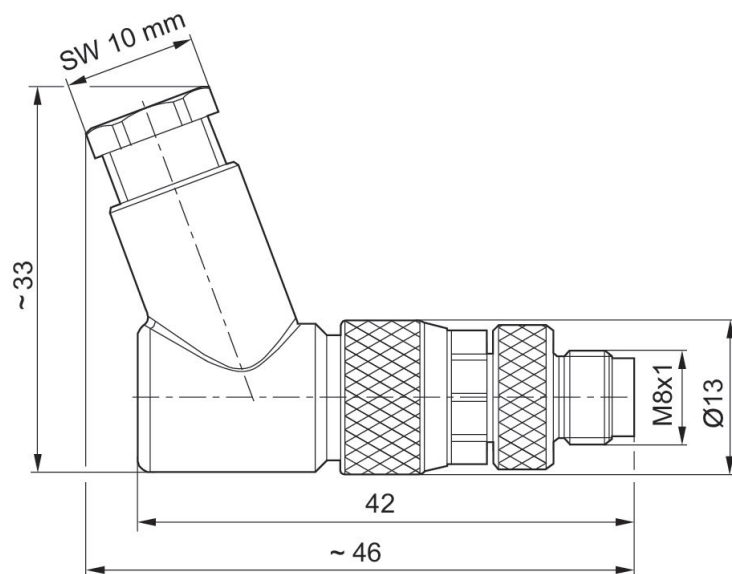
Connection type: Screws

Ambient temperature min./max.: -25 °C ... 80 °C



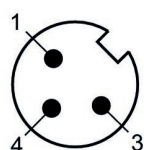
Operational voltage	Coding	Shielding	Connection type	Max. current [A]	min. suitable cable Ø [mm]	max. suitable cable Ø [mm]	Part No.
48 V AC/DC	A-coded	unshielded	Screws	4	3.5	6	R412021677

Dimensions



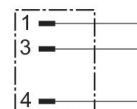
R412021677

Plug pin assignment



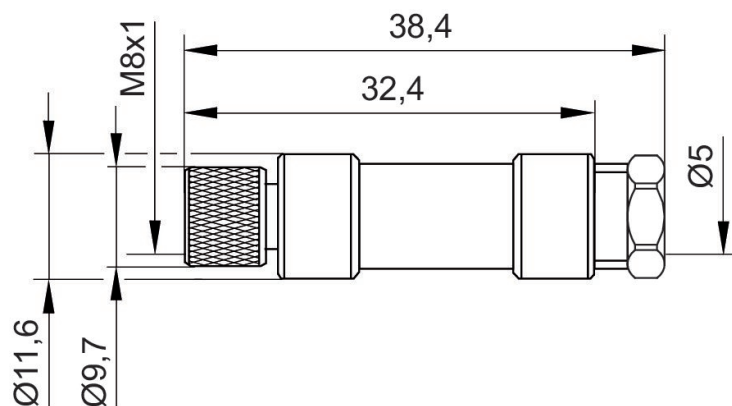
Round plug connector, Series CON-RD

Electrical connection 1: Plug ... M8x1 ... 3-pin ... straight
 Connection type: Screws
 Ambient temperature min./max.: -40 °C ... 85 °C



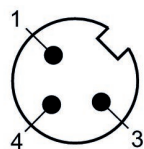
Operational voltage	Coding	Shielding	Connection type	Max. current [A]	min. suitable cable Ø [mm]	max. suitable cable Ø [mm]	Part No.
48 V AC/DC	A-coded	unshielded	Screws	4	3.5	5	R412021676

Dimensions



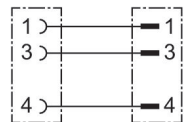
R412021676

Plug pin assignment



Round plug connector, Series CON-RD

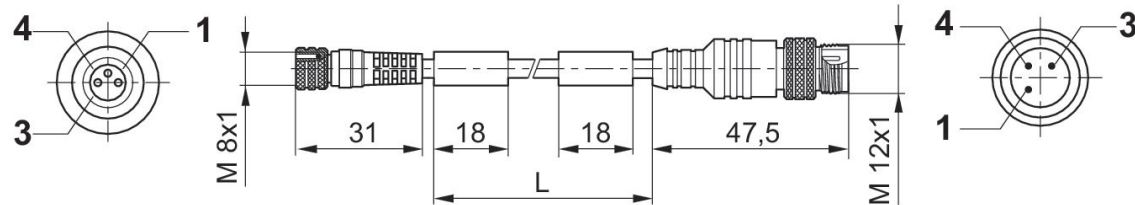
Electrical connection 1: Plug ... M12x1 ... 3-pin ... A-coded ... straight
 Electrical connection 2: Socket ... M8x1 ... 3-pin ... A-coded ... straight



Electrical connection 1, type	Electrical connection 1, thread size	Electrical connection 1, number of poles	Electrical connection 1, coding	Electrical connection 2, type	Electrical connection 2, thread size	Electrical connection 2, number of poles	Electrical connection 2, coding	Part No.
Socket	M8x1	3-pin	A-coded	Plug	M12x1	3-pin	A-coded	8946203462

Cable length [m]	Part No.
2	8946203462

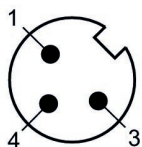
Dimensions



L = length

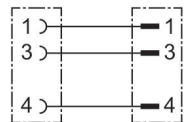
8946203462

Plug pin assignment



Round plug connector, Series CON-RD

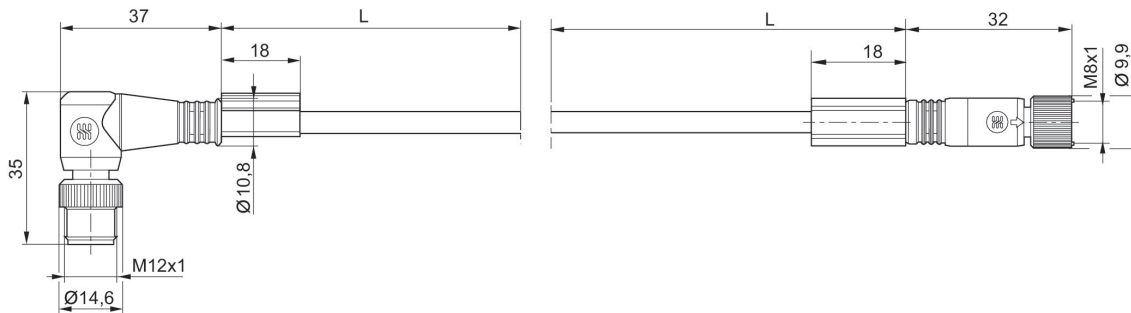
Electrical connection 1: Plug ... M12x1 ... 3-pin ... angled ... 90°
 Electrical connection 2: Socket ... M8x1 ... 3-pin ... straight
 Ambient temperature min./max.: -25 °C ... 80 °C



Operational voltage	Electrical connection 1, type	Electrical connection 1, thread size	Electrical connection 1, number of poles	Electrical connection 1, coding	Electrical connection 2, type	Electrical connection 2, thread size	Electrical connection 2, number of poles	Part No.
48 V AC/DC	Socket	M8x1	3-pin	A-coded	Plug	M12x1	3-pin	R412021696
48 V AC/DC	Socket	M8x1	3-pin	A-coded	Plug	M12x1	3-pin	R412021697

Electrical connection 2, coding	Cable length [m]	Part No.
A-coded	2	R412021696
A-coded	5	R412021697

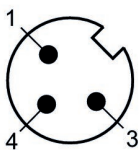
Dimensions



L = length

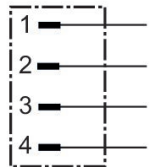
R412021696, R412021697

Plug pin assignment



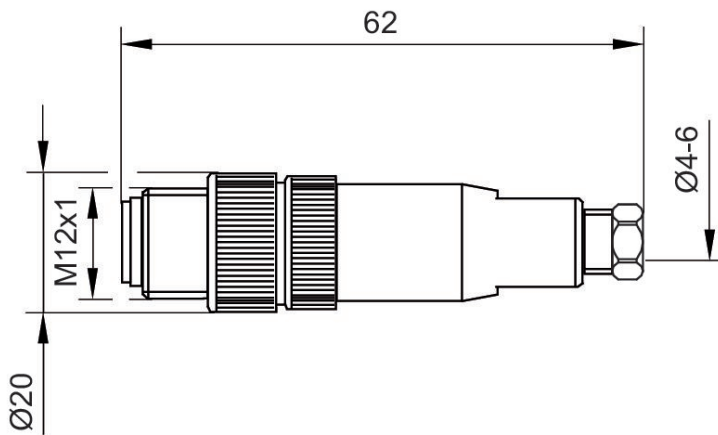
Round plug connector, Series CON-RD

Electrical connection 1: Plug ... M12x1 ... 4-pin ... A-coded ... straight
 Connection type: Screws
 Shielding: unshielded
 Ambient temperature min./max.: -40 °C ... 85 °C



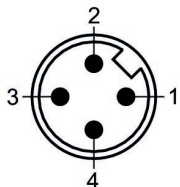
Operational voltage	Coding	Shielding	Connection type	Max. current [A]	min. suitable cable Ø [mm]	max. suitable cable Ø [mm]	Part No.
48 V AC/DC	A-coded	unshielded	Screws	4	4	6	1834484222

Dimensions



1834484222

Plug pin assignment



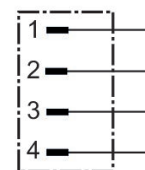
Round plug connector, Series CON-RD

Electrical connection 1: Plug ... M12x1 ... 4-pin ... A-coded ... angled

Connection type: Screws

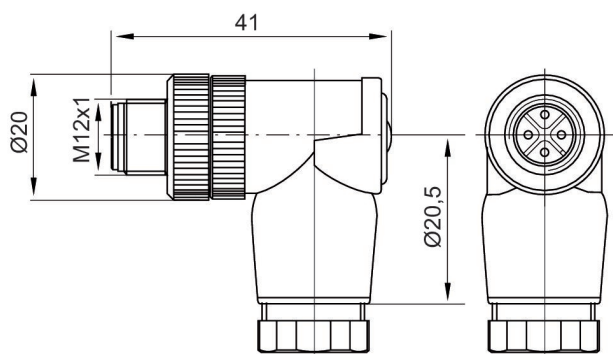
Shielding: unshielded

Ambient temperature min./max.: -40 °C ... 85 °C



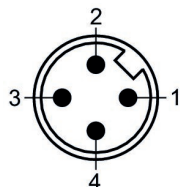
Operational voltage	Coding	Shielding	Connection type	Max. current [A]	min. suitable cable Ø [mm]	max. suitable cable Ø [mm]	Part No.
48 V AC/DC	A-coded	unshielded	Screws	4	4	6	1834484223
48 V AC/DC	A-coded	unshielded	Screws	4	2.1	3	1834484246

1834484223



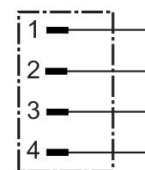
1834484223, 1834484246

Plug pin assignment



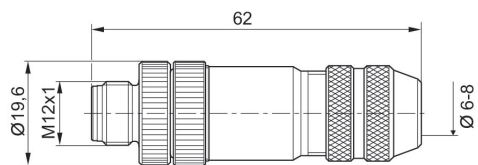
Round plug connector, Series CON-RD

Electrical connection 1: Plug ... M12x1 ... 4-pin ... D-coded ... straight
 Protocol: Ethernet, EtherNet/IP, EtherCAT, POWERLINK, sercos III
 Connection type: Thread cutting
 Ambient temperature min./max.: -25 °C ... 85 °C



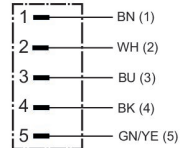
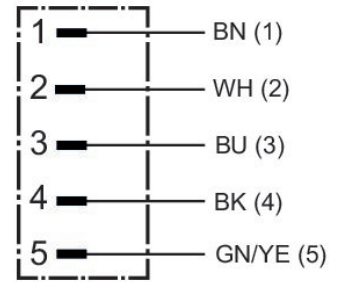
Operational voltage	Coding	Shielding	Protocol	Connection type	Max. current [A]	min. suitable cable Ø [mm]	max. suitable cable Ø [mm]	Part No.
48 V AC/DC	D-coded	shielded	Ethernet, EtherNet/IP, EtherCAT, POWERLINK, sercos III	Thread cutting	4	6	8	R419801401

Dimensions



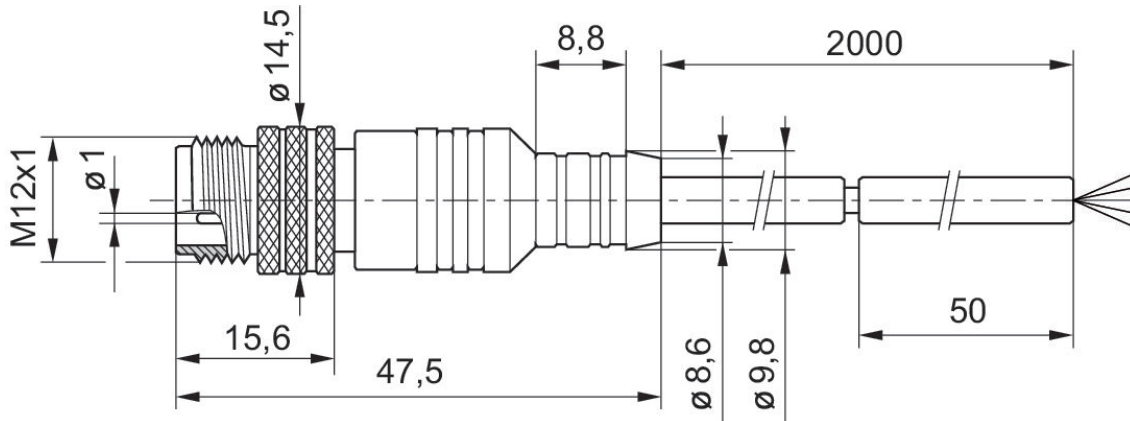
Round plug connector, Series CON-RD

Electrical connection 1: Plug ... M12x1 ... 5-pin ... straight
Electrical connection 2: open cable ends ... 5-pin



Electrical connection 1, type	Electrical connection 1, thread size	Electrical connection 1, number of poles	Electrical connection 1, coding	Electrical connection 2, type	Electrical connection 2, number of poles	Cable length [m]	Part No.
Plug	M12x1	5-pin	A-coded	open cable ends	5-pin	2	8946203432
Plug	M12x1	5-pin	A-coded	open cable ends	5-pin	5	8946203442

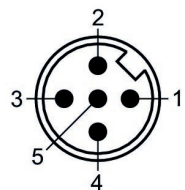
Dimensions



L = length

8946203432, 8946203442

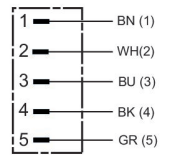
Plug pin assignment



(1) BN=brown (2) WH=white (3) BU=blue (4) BK=black (5) GY=green-yellow

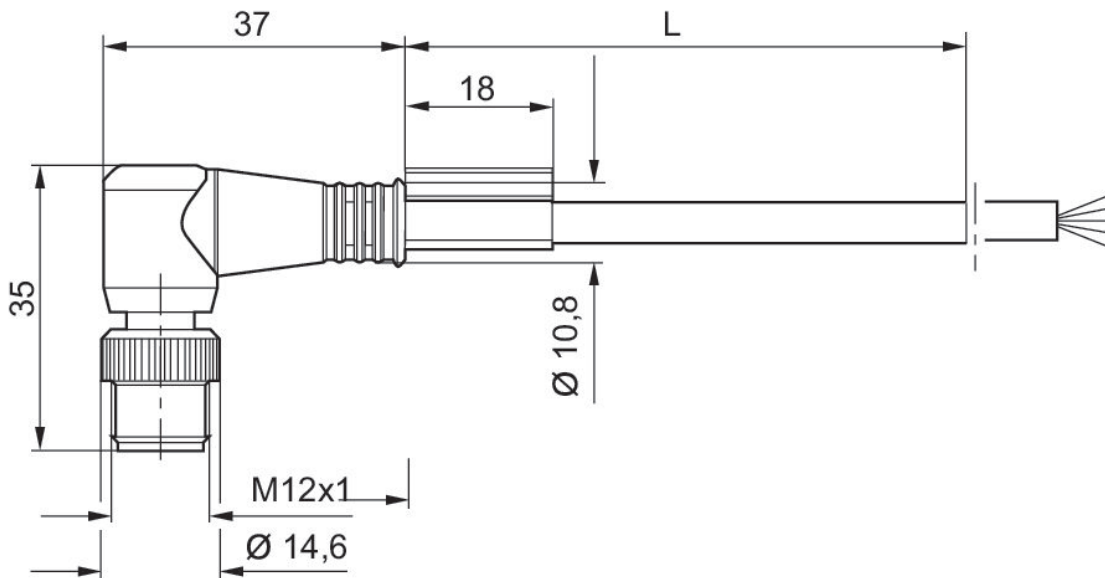
Round plug connector, Series CON-RD

Electrical connection 1: Plug ... M12x1 ... 5-pin ... A-coded ... angled ... 90°
 Electrical connection 2: open cable ends ... 5-pin
 Ambient temperature min./max.: -25 °C ... 80 °C



Operational voltage	Electrical connection 1, type	Electrical connection 1, thread size	Electrical connection 1, number of poles	Electrical connection 1, coding	Electrical connection 2, type	Electrical connection 2, number of poles	Cable length [m]	Part No.
48 V AC/DC	Plug	M12x1	5-pin	A-coded	open cable ends	5-pin	2	R412021691
48 V AC/DC	Plug	M12x1	5-pin	A-coded	open cable ends	5-pin	5	R412021692
48 V AC/DC	Plug	M12x1	5-pin	A-coded	open cable ends	5-pin	10	R412021693

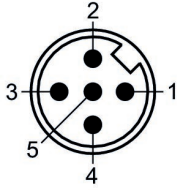
Dimensions



L = length

R412021691, R412021692, R412021693

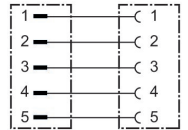
Plug pin assignment



(1) BN=brown (2) WH=white (3) BU=blue (4) BK=black (5) GY=grey

Round plug connector, Series CON-RD

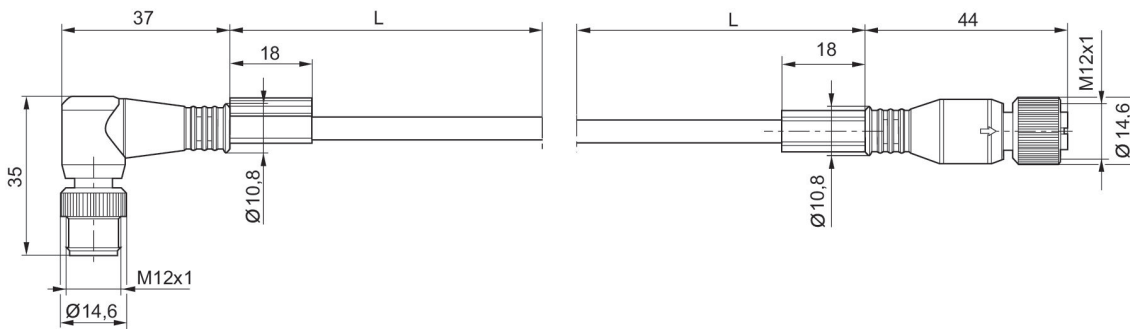
Electrical connection 1: Plug ... M12x1 ... 5-pin ... A-coded ... angled ... 90°
 Electrical connection 2: Socket ... M12x1 ... 5-pin ... A-coded ... straight
 Ambient temperature min./max.: -25 °C ... 80 °C



Operational voltage	Electrical connection 1, type	Electrical connection 1, thread size	Electrical connection 1, number of poles	Electrical connection 1, coding	Electrical connection 2, type	Electrical connection 2, thread size	Electrical connection 2, number of poles	Part No.
48 V AC/DC	Socket	M12x1	5-pin	A-coded	Plug	M12x1	5-pin	R412021694
48 V AC/DC	Socket	M12x1	5-pin	A-coded	Plug	M12x1	5-pin	R412021695

Electrical connection 2, coding	Cable length [m]	Part No.
A-coded	2	R412021694
A-coded	5	R412021695

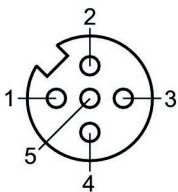
Dimensions



L = length

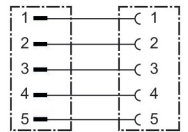
R412021694, R412021695

Pin assignment, socket



Round plug connector, Series CON-RD

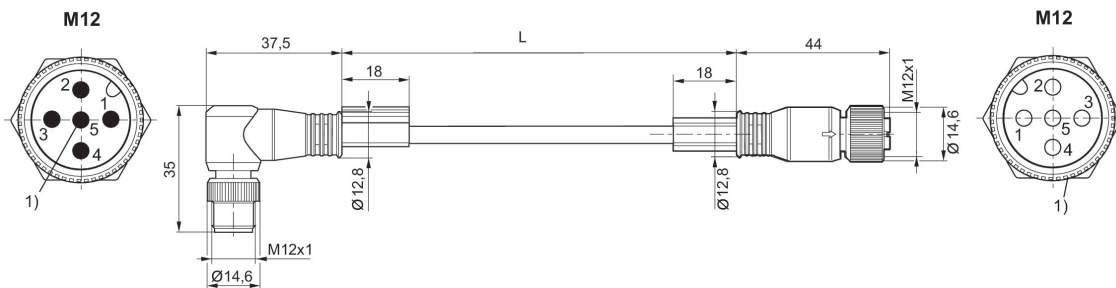
Electrical connection 1: Plug ... M12x1 ... 5-pin ... A-coded ... angled ... 90°
 Electrical connection 2: Socket ... M12x1 ... 5-pin ... A-coded ... straight
 Ambient temperature min./max.: -25 °C ... 80 °C



Operational voltage	Electrical connection 1, type	Electrical connection 1, thread size	Electrical connection 1, number of poles	Electrical connection 1, coding	Electrical connection 2, type	Electrical connection 2, thread size	Electrical connection 2, number of poles	Part No.
48 V AC/DC	Socket	M12x1	5-pin	A-coded	Plug	M12x1	5-pin	R412022193

Electrical connection 2, coding	Cable length [m]	Part No.
A-coded	2	R412022193

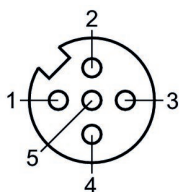
Dimensions



L = length
 PIN assignment 1:1
 1) Shield is connected to pin 5 of the plug and the knurled screw of the socket.

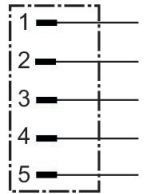
R412022193

Pin assignment, socket



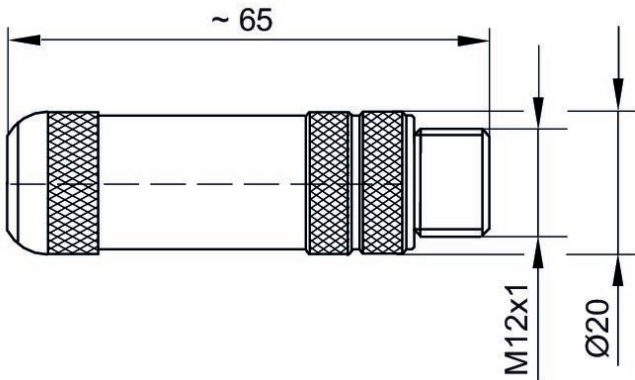
Round plug connector, Series CON-RD

Electrical connection 1: Plug ... M12x1 ... 5-pin ... B-coded ... straight
Ambient temperature min./max.: -25 °C ... 90 °C



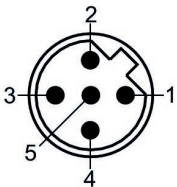
Operational voltage	Coding	Shielding	Protocol	Connection type	Max. current [A]	min. suitable cable Ø [mm]	max. suitable cable Ø [mm]	Part No.
48 V AC/DC	B-coded	shielded	PROFIBUS DP	Screws	4	4	9	8941054054

Dimensions



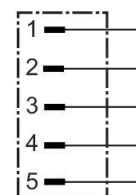
8941054054

Plug pin assignment



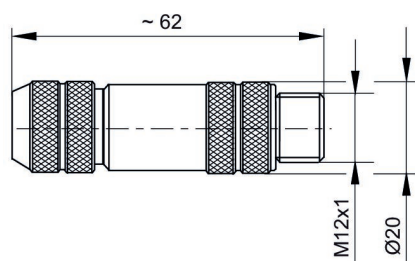
Round plug connector, Series CON-RD

Electrical connection 1: Plug ... M12x1 ... 5-pin ... A-coded ... straight
 Protocol: CANopen, DeviceNet
 Ambient temperature min./max.: -40 °C ... 85 °C



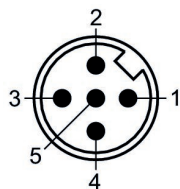
Operational voltage	Coding	Shielding	Protocol	Connection type	Max. current [A]	min. suitable cable Ø [mm]	max. suitable cable Ø [mm]	Part No.
48 V AC/DC	A-coded	shielded	CANopen, DeviceNet	Screws	4	6	8	8942051612

Dimensions



8942051612

Plug pin assignment



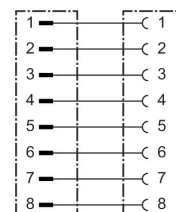
Round plug connector, Series CON-RD

Electrical connection 1: Plug ... M12x1 ... 8-pin ... A-coded ... straight ... 180°

Electrical connection 2: Socket ... M12x1 ... 8-pin ... A-coded ... straight

Certification: CE declaration of conformity, UL (Underwriters Laboratories)

Ambient temperature min./max.: -25 °C ... 85 °C



Operational voltage	Electrical connection 1, type	Electrical connection 1, thread size	Electrical connection 1, number of poles	Electrical connection 1, coding	Electrical connection 2, type	Electrical connection 2, thread size	Electrical connection 2, number of poles	Part No.
36 V DC / 30 V AC	Socket	M12x1	8-pin	A-coded	Plug	M12x1	8-pin	8946202802
36 V DC / 30 V AC	Socket	M12x1	8-pin	A-coded	Plug	M12x1	8-pin	8946202812
36 V DC / 30 V AC	Socket	M12x1	8-pin	A-coded	Plug	M12x1	8-pin	8946202822
36 V DC / 30 V AC	Socket	M12x1	8-pin	A-coded	Plug	M12x1	8-pin	8946202832
36 V DC / 30 V AC	Socket	M12x1	8-pin	A-coded	Plug	M12x1	8-pin	8946202842

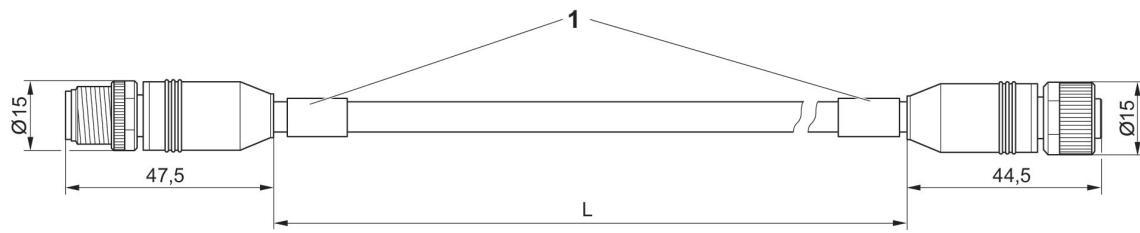
Electrical connection 2, coding	Cable length [m]	Part No.
A-coded	0.5	8946202802
A-coded	1	8946202812
A-coded	2	8946202822
A-coded	5	8946202832
A-coded	10	8946202842

Dimensions

M12



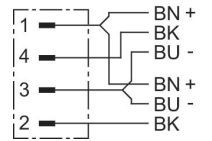
M12



1) Cable sleeve

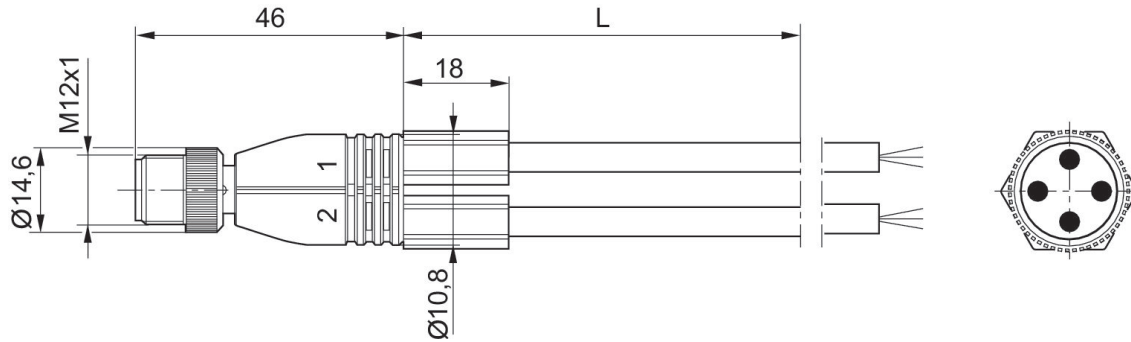
Y-Plug connector, series CON-RD

Electrical connection 1: Plug ... M12x1 ... 4-pin ... straight
 Electrical connection 2: 2 x open cable ends ... 3-pin
 Ambient temperature min./max.: -25 °C ... 80 °C



Operational voltage	Electrical connection 1, type	Electrical connection 1, thread size	Electrical connection 1, number of poles	Electrical connection 1, coding	Electrical connection 2, type	Electrical connection 2, number of poles	Cable length [m]	Part No.
48 V AC/DC	Plug	M12x1	4-pin	A-coded	2 x open cable ends	3-pin	2	R412021688

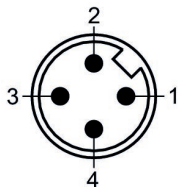
Dimensions



L = length

R412021688

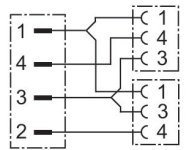
Plug pin assignment



Line 1: (1) BN = brown, (3) BU =blue, (4) BK = black
 Line 2: (1) BN = brown, (3) BU =blue, (2) BK = black

Y-Plug connector, series CON-RD

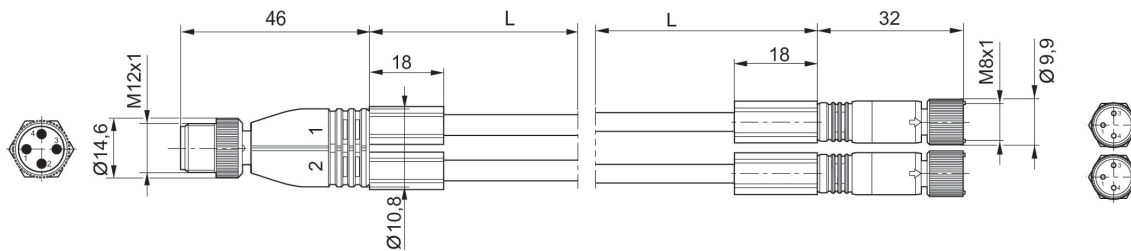
Electrical connection 1: Plug ... M12x1 ... 4-pin ... A-coded ... straight ... 180°
 Electrical connection 2: 2x Socket ... M8x1 ... 3-pin ... A-coded ... straight ... 180°
 Ambient temperature min./max.: -25 °C ... 80 °C



Operational voltage	Electrical connection 1, type	Electrical connection 1, thread size	Electrical connection 1, number of poles	Electrical connection 1, coding	Electrical connection 2, type	Electrical connection 2, thread size	Electrical connection 2, number of poles	Part No.
48 V AC/DC	Plug	M12x1	4-pin	A-coded	2x Socket	M8x1	3-pin	R412021685
48 V AC/DC	Plug	M12x1	4-pin	A-coded	2x Socket	M8x1	3-pin	R412021687

Electrical connection 2, coding	Cable length [m]	Part No.
A-coded	0.6	R412021685
A-coded	3	R412021687

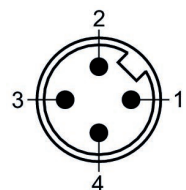
Dimensions



L = length

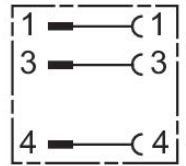
R412021685, R412021687

Plug pin assignment



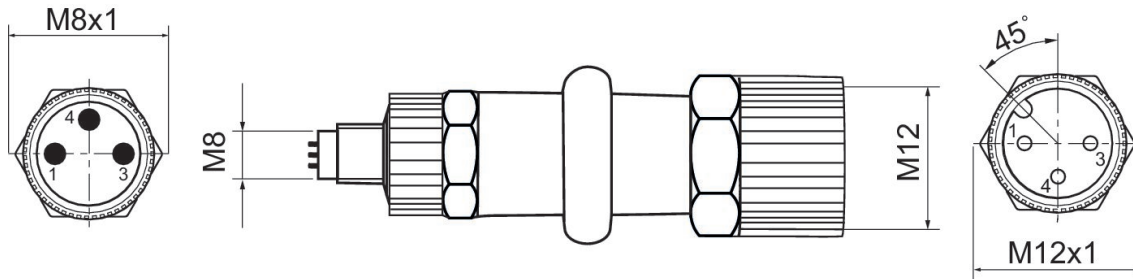
Adapter, Series CON-AP

Electrical connection 1: Plug ... M8x1 ... 3-pin ... A-coded ... straight ... 180°
 Electrical connection 2: Socket ... M12x1 ... 3-pin ... A-coded ... straight ... 180°
 Ambient temperature min./max.: -25 °C ... 50 °C



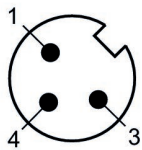
Max. current [A]	Part No.
4	R412021684

Dimensions



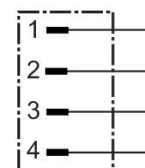
R412021684

Plug pin assignment



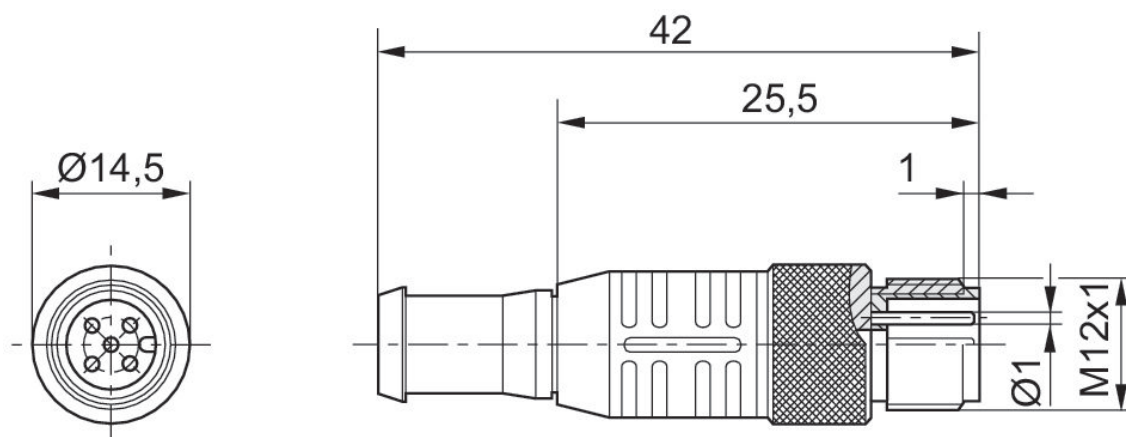
Data final plug, Series CON-RD

Electrical connection 1: Plug ... M12x1 ... 4-pin ... B-coded
 Protocol: PROFIBUS DP
 Ambient temperature min./max.: -25 °C ... 80 °C



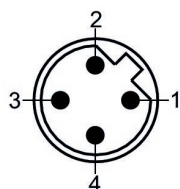
Coding	Protocol	Part No.
B-coded	PROFIBUS DP	8941054064

Dimensions



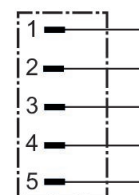
8941054064

Plug pin assignment



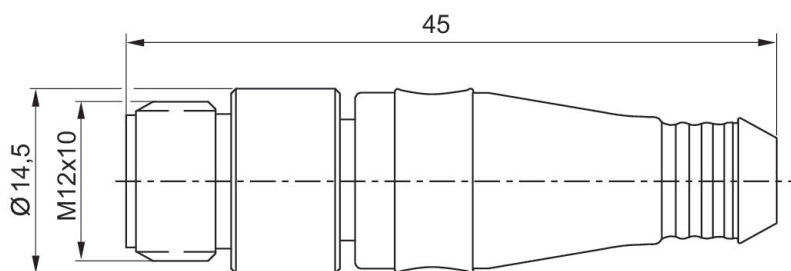
Data final plug, Series CON-RD

Electrical connection 1: Plug ... M12x1 ... 5-pin ... A-coded
 Protocol: CANopen, DeviceNet
 Ambient temperature min./max.: 0 °C ... 60 °C



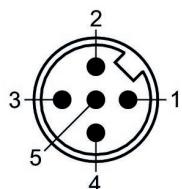
Coding	Protocol	Part No.
A-coded	CANopen, DeviceNet	8941054264

Dimensions



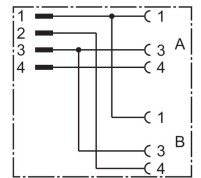
8941054264

Plug pin assignment



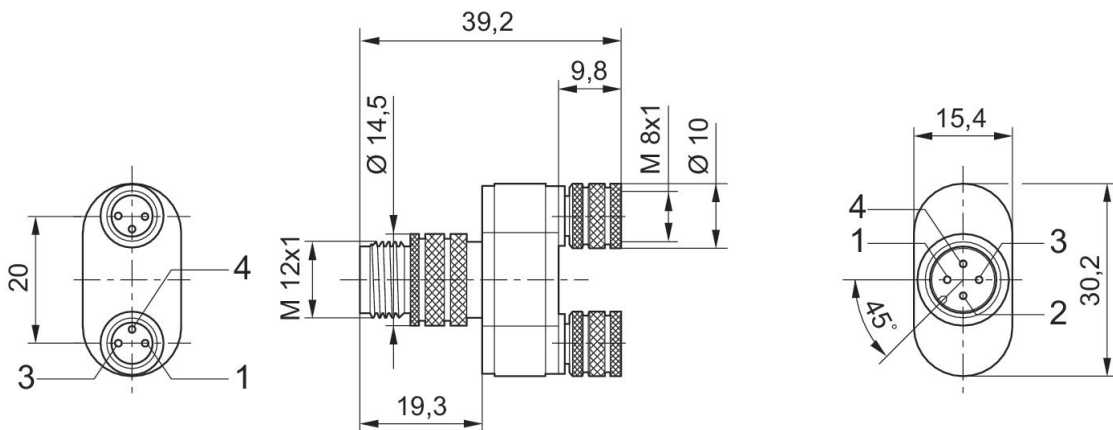
Y-Plug connector, series CON-AP

Electrical connection 1: Plug ... M12x1 ... 4-pin
 Electrical connection 2: 2x Socket ... M8x1 ... 3-pin
 Ambient temperature min./max.: -25 °C ... 50 °C



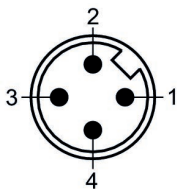
Operational voltage	Coding	Shielding	Max. current [A]	Part No.
48 V AC/DC	A-coded	unshielded	4	8941002382

Dimensions



8941002382

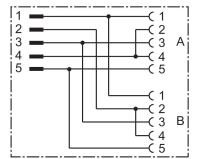
Plug pin assignment



Plug (male) Pin	Socket (female) Pin	Socket (female) Pin

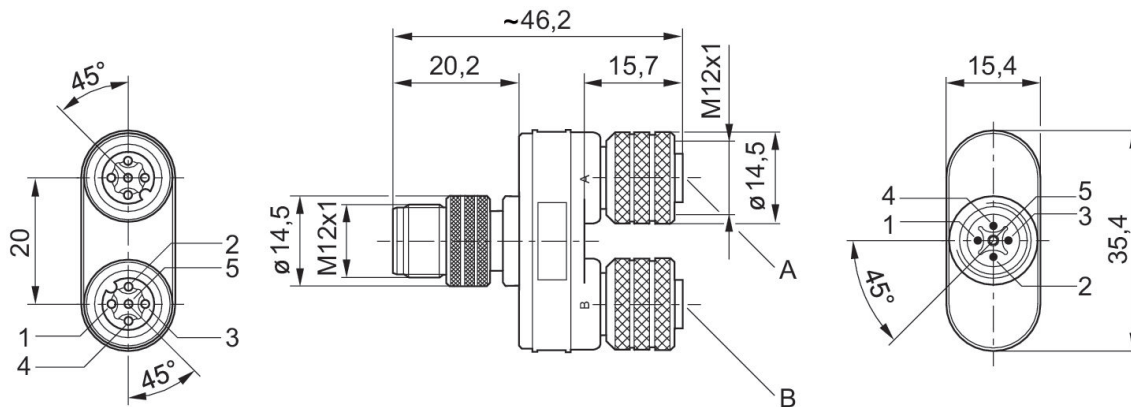
Y-Plug connector, series CON-AP

Electrical connection 1: Plug ... M12x1 ... 5-pin ... A-coded
 Electrical connection 2: 2x Socket ... M12x1 ... 5-pin ... A-coded
 Ambient temperature min./max.: -25 °C ... 50 °C



Operational voltage	Coding	Shielding	Max. current [A]	Part No.
48 V AC/DC	A-coded	unshielded	4	8941002392

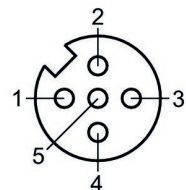
Dimensions



Sockets: Pin 2 and 4 bridged.

8941002392

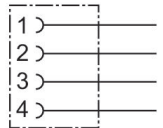
Pin assignment, socket



Plug (male) M 12 Pin	Socket (fe- male) A M12 Pin	Socket (fe- male) B M12 Pin
1	1	1
2	-	2 / 4
3	3	3
4	2 / 4	-
5	5	5

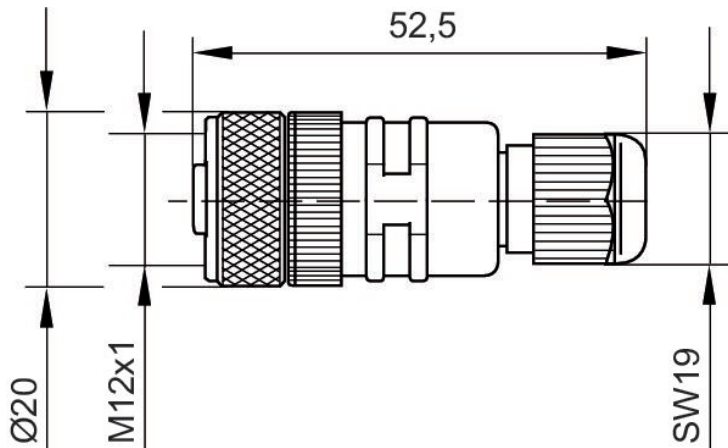
Round plug connector, Series CON-RD

Electrical connection 1: Socket ... M12x1 ... 4-pin ... A-coded ... straight
 Connection type: Screws
 Ambient temperature min./max.: -25 °C ... 90 °C



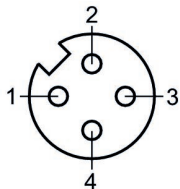
Operational voltage	Coding	Shielding	Connection type	Max. current [A]	min. suitable cable Ø [mm]	Part No.
48 V AC/DC	A-coded	unshielded	Screws	4	4	8941054324

Dimensions



8941054324

Pin assignment, socket

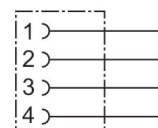


Round plug connector, Series CON-RD

Electrical connection 1: Socket ... M12x1 ... 4-pin ... A-coded ... angled

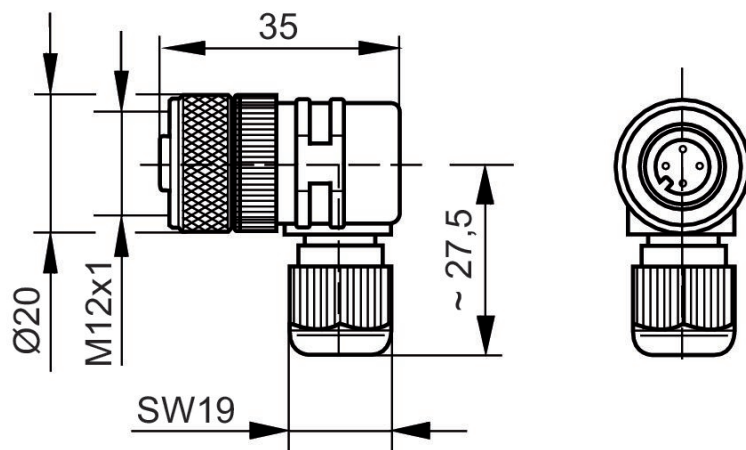
Connection type: Screws

Ambient temperature min./max.: -25 °C ... 90 °C



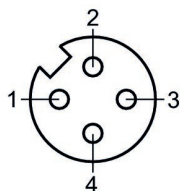
Operational voltage	Coding	Shielding	Connection type	Max. current [A]	min. suitable cable Ø [mm]	Part No.
48 V AC/DC	A-coded	unshielded	Screws	4	4	8941054424

Dimensions



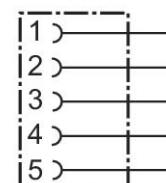
8941054424

Pin assignment, socket



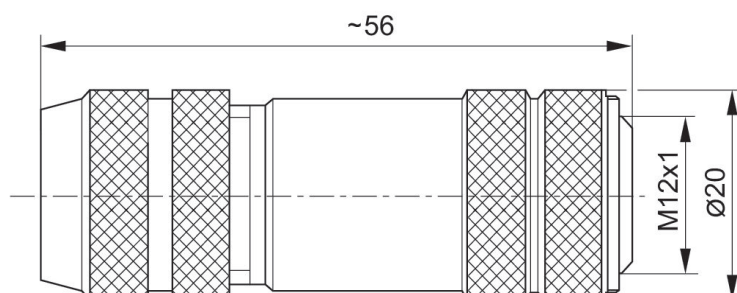
Round plug connector, Series CON-RD

Electrical connection 1: Socket ... M12x1 ... 5-pin ... A-coded ... straight
 Protocol: CANopen, DeviceNet
 Connection type: Screws
 Ambient temperature min./max.: -40 °C ... 85 °C



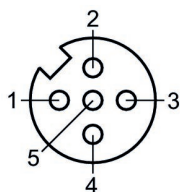
Operational voltage	Coding	Shielding	Protocol	Connection type	Max. current [A]	min. suitable cable Ø [mm]	Part No.
48 V AC/DC	A-coded	shielded	CANopen, DeviceNet	Screws	4	6	8942051602

Dimensions



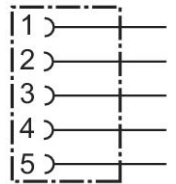
8942051602

Pin assignment, socket



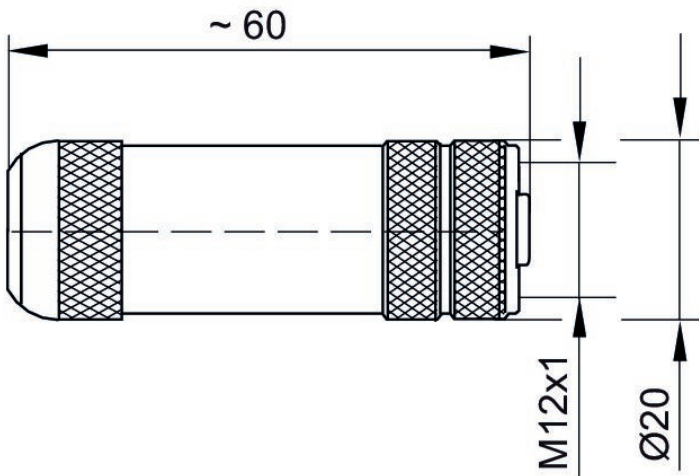
Round plug connector, Series CON-RD

Electrical connection 1: Socket ... M12x1 ... 5-pin ... B-coded ... straight
 Protocol: PROFIBUS DP
 Connection type: Screws
 Shielding: shielded
 Ambient temperature min./max.: -25 °C ... 90 °C



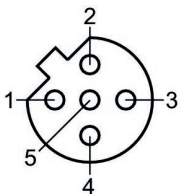
Operational voltage	Coding	Shielding	Protocol	Connection type	Max. current [A]	min. suitable cable Ø [mm]	max. suitable cable Ø [mm]	Part No.
48 V AC/DC	B-coded	shielded	PROFIBUS DP	Screws	4	6	8	8941054044

Dimensions



8941054044

Pin assignment, socket

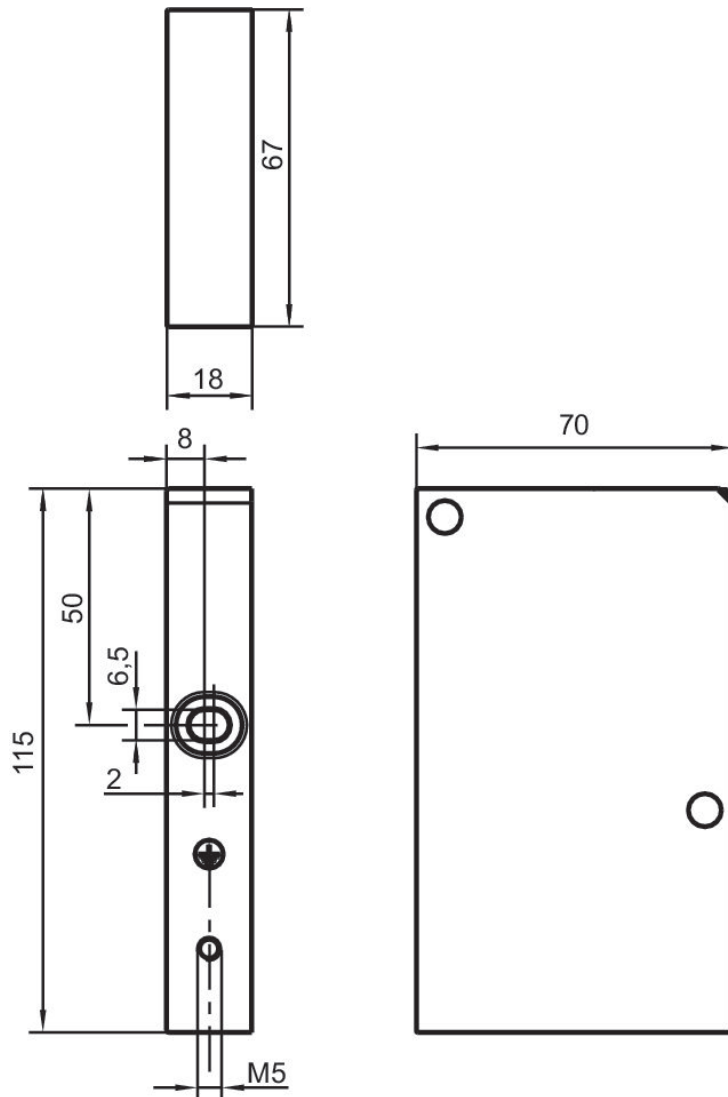


End plate left



Type	Part No.
End plate left	R412003490

Dimensions

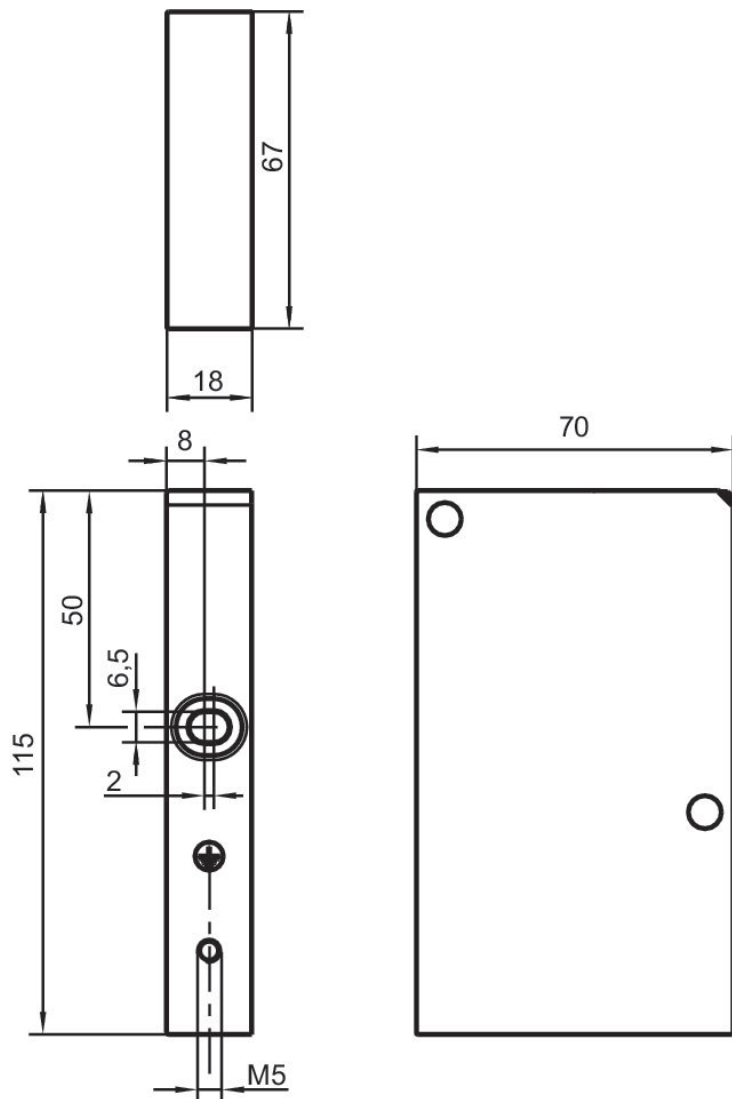


End plate left



Type	Part No.
End plate left	R412003490

Dimensions



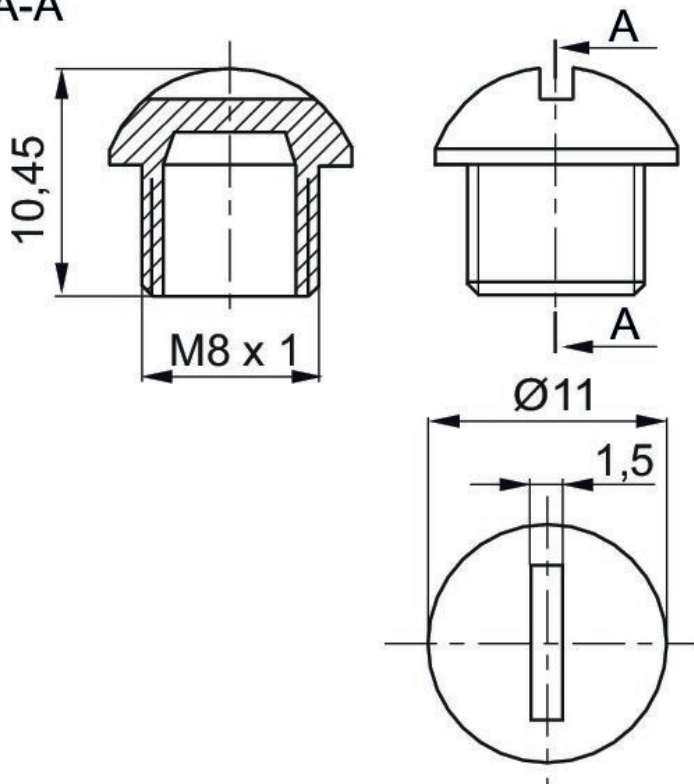
Protective cap, series CON-RD, M8x1



Type	Weight [kg]	Material	Part No.
M8x1	0.001	Polyamide	R412003493

Dimensions

A-A

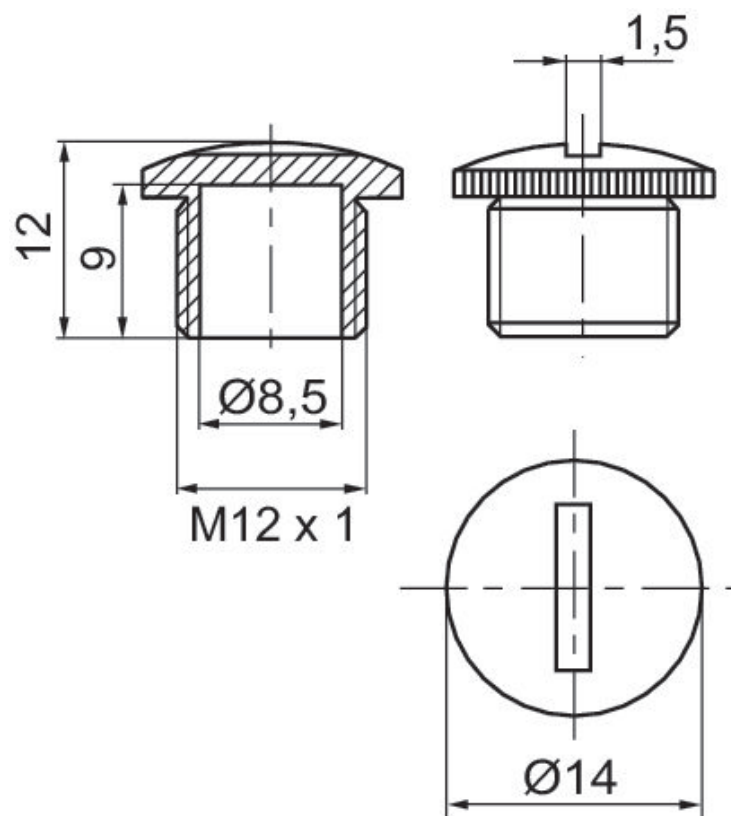


Protective cap, series CON-RD, M12x1



Type	Delivery unit [piece]	Weight [kg]	Material	Part No.
M12x1	50	0.001	Polyamide	1823312001





Dimensions



Efficient pneumatic solutions, our program:
cylinders and drives, valves and valve systems,
air supply management, proportional pressure
control valves



Visit us: www.Emerson.com/aventics
Your local contact: Emerson.com/contactus

-  Emerson.com
-  Facebook.com/EmersonAutomationSolutions
-  LinkedIn.com/company/Emerson-Automation-Solutions
-  Twitter.com/EMR_Automation



The Emerson logo is a trademark and service mark of Emerson Electric Co. AVENTICS is a registered trademark of one of the Emerson family of companies. All other trademarks are the property of their respective owners. © 2020 Emerson Electric Co. All rights reserved.



CONSIDER IT SOLVED™