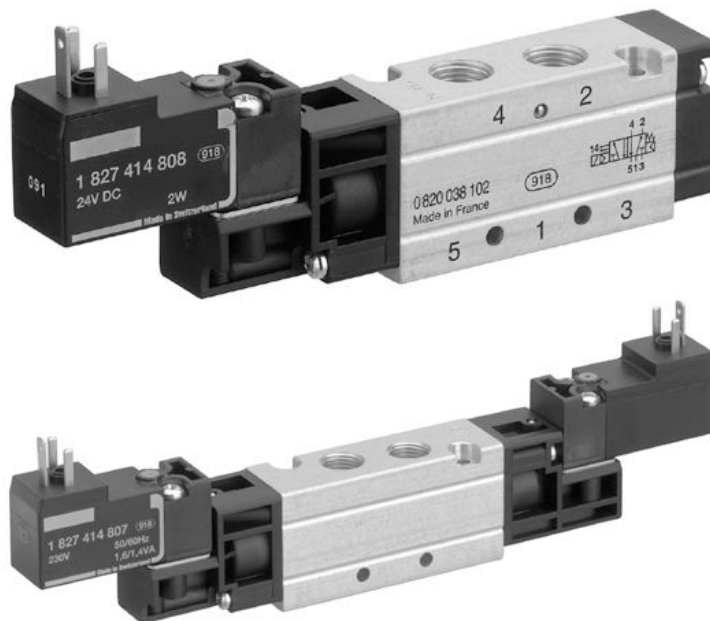


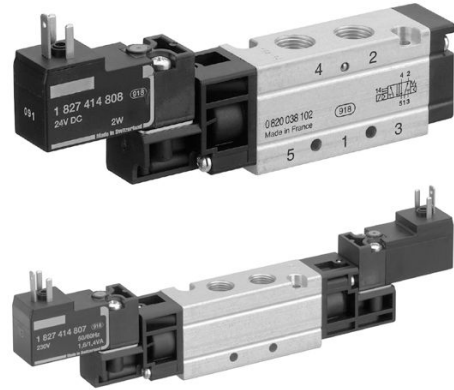
## Series WV02



**Series WV02**

The AVENTICS Series WV02 spool valves with anodized aluminium housing feature short switching times and low switching pressures, while offering low power consumption due to a seal with low friction co-efficient.

- Lightweight
- Reliable
- Fast switching times (8-12 ms)
- Low power consumption
- Exchangeable pilot
- Assembly on manifold block



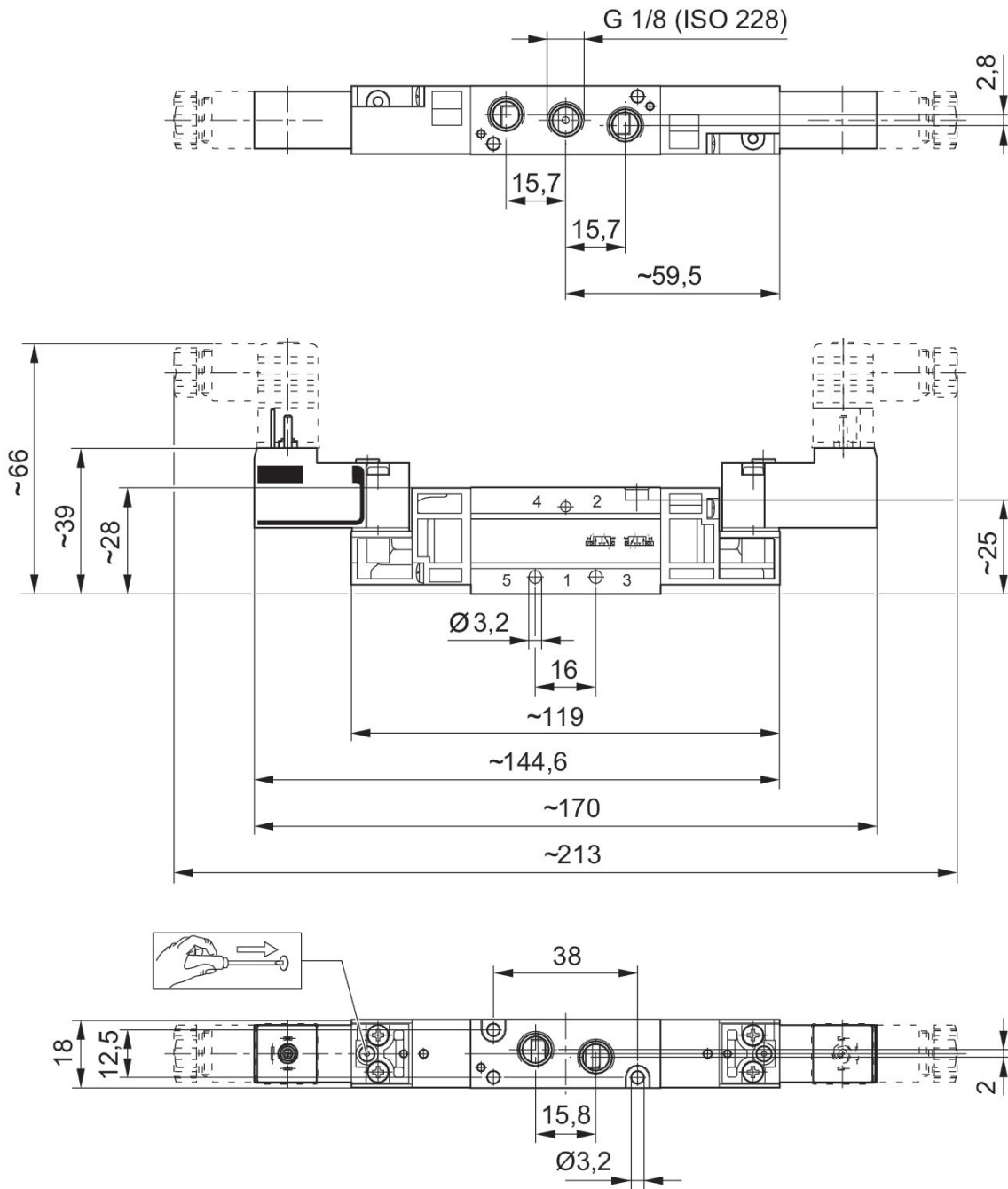
**2 x 3/2-directional valve, Series WV02**

600 l/min  
 Plug  
 ISO 15217, form C  
 Internal thread  
 Electrically  
 G 1/8



Valve function	Min. working pressure [bar]	Max. working pressure [bar]	Operational voltage	Pilot	Power consumption DC [W]	Operational voltage AC at 50 Hz	Operational voltage AC at 60 Hz	Part No.
NC/NC	2.2	10	24 V AC	Internal		24 V	24 V	0820037004
NC/NC	2.2	10	24 V DC	Internal	2			0820037002
NC/NC	2.2	10	24 V DC	Internal	1			0820037003
NC/NC	2.2	10	110 V AC	Internal		110 V	110 V	0820037005
NC/NC	2.2	10	230 V AC	Internal		230 V	230 V	0820037001
NO/NO	2.2	10	24 V AC	Internal		24 V	24 V	0820037028
NO/NO	2.2	10	24 V DC	Internal	2			0820037026
NO/NO	2.2	10	24 V DC	Internal	1			0820037027
NO/NO	2.2	10	110 V AC	Internal		110 V	110 V	0820037029
NO/NO	2.2	10	230 V AC	Internal		230 V	230 V	0820037025
NO/NC	2.2	10	24 V AC	Internal		24 V	24 V	0820037053
NO/NC	2.2	10	24 V DC	Internal	2			0820037051
NO/NC	2.2	10	24 V DC	Internal	1			0820037052
NO/NC	2.2	10	110 V AC	Internal		110 V	110 V	0820037054
NO/NC	2.2	10	230 V AC	Internal		230 V	230 V	0820037050

Dimensions



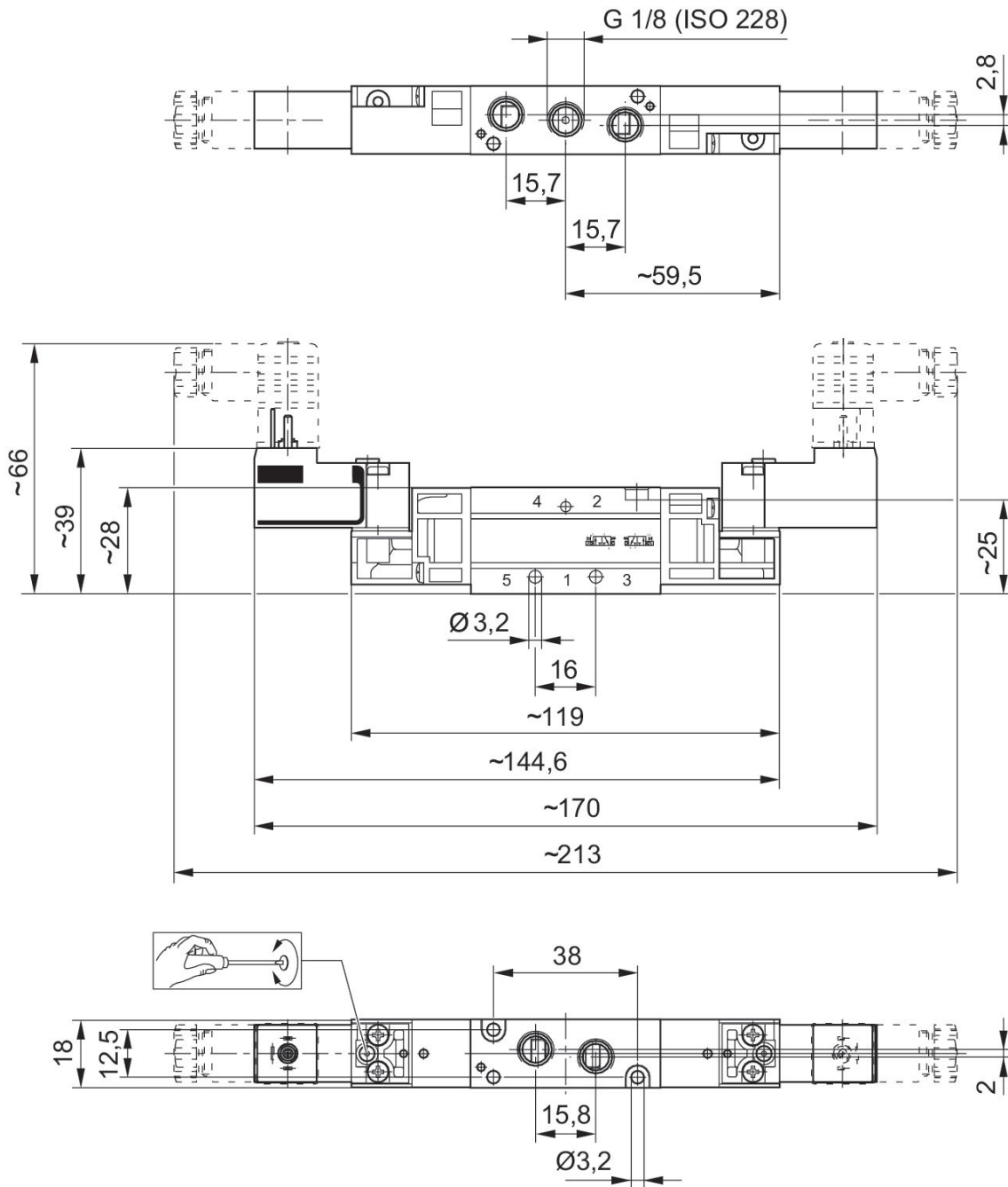
**2 x 3/2-directional valve, Series WV02**

600 l/min  
 Plug  
 ISO 15217, form C  
 Internal thread  
 Electrically  
 G 1/8



Valve function	Min. working pressure [bar]	Max. working pressure [bar]	Operational voltage	Pilot	Power consumption DC [W]	Operational voltage AC at 50 Hz	Operational voltage AC at 60 Hz	Part No.
NC/NC	2.2	10	24 V AC	Internal		24 V	24 V	0820037104
NC/NC	2.2	10	24 V DC	Internal	2			0820037102
NC/NC	2.2	10	24 V DC	Internal	1			0820037103
NC/NC	2.2	10	110 V AC	Internal		110 V	110 V	0820037105
NC/NC	2.2	10	230 V AC	Internal		230 V	230 V	0820037101
NO/NO	2.2	10	24 V AC	Internal		24 V	24 V	0820037128
NO/NO	2.2	10	24 V DC	Internal	2			0820037126
NO/NO	2.2	10	24 V DC	Internal	1			0820037127
NO/NO	2.2	10	110 V AC	Internal		110 V	110 V	0820037129
NO/NO	2.2	10	230 V AC	Internal		230 V	230 V	0820037125
NO/NC	2.2	10	24 V AC	Internal		24 V	24 V	0820037153
NO/NC	2.2	10	24 V DC	Internal	2			0820037151
NO/NC	2.2	10	24 V DC	Internal	1			0820037152
NO/NC	2.2	10	110 V AC	Internal		110 V	110 V	0820037154
NO/NC	2.2	10	230 V AC	Internal		230 V	230 V	0820037150

Dimensions



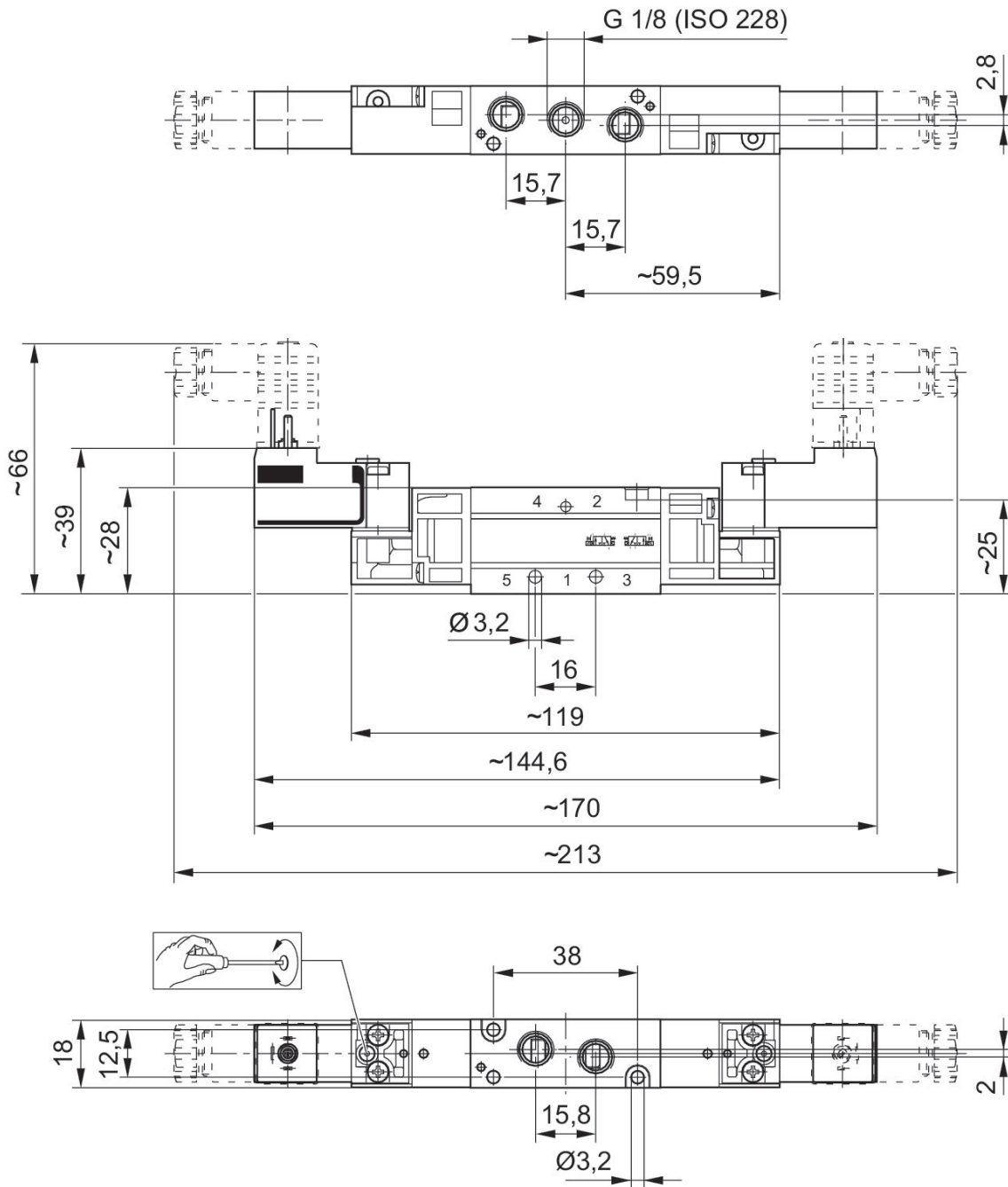
**2 x 3/2-directional valve, Series WV02**

600 l/min  
Plug  
ISO 15217, form C  
Internal thread  
Electrically  
G 1/8



Valve function	Basic valve equipment	Min. working pressure [bar]	Max. working pressure [bar]	Pilot	Part No.
NC/NC	Basic valve without coil	2.2	10	Internal	0820037901
NO/NO	Basic valve without coil	2.2	10	Internal	0820037902
NO/NC	Basic valve without coil	2.2	10	Internal	0820037903

Dimensions





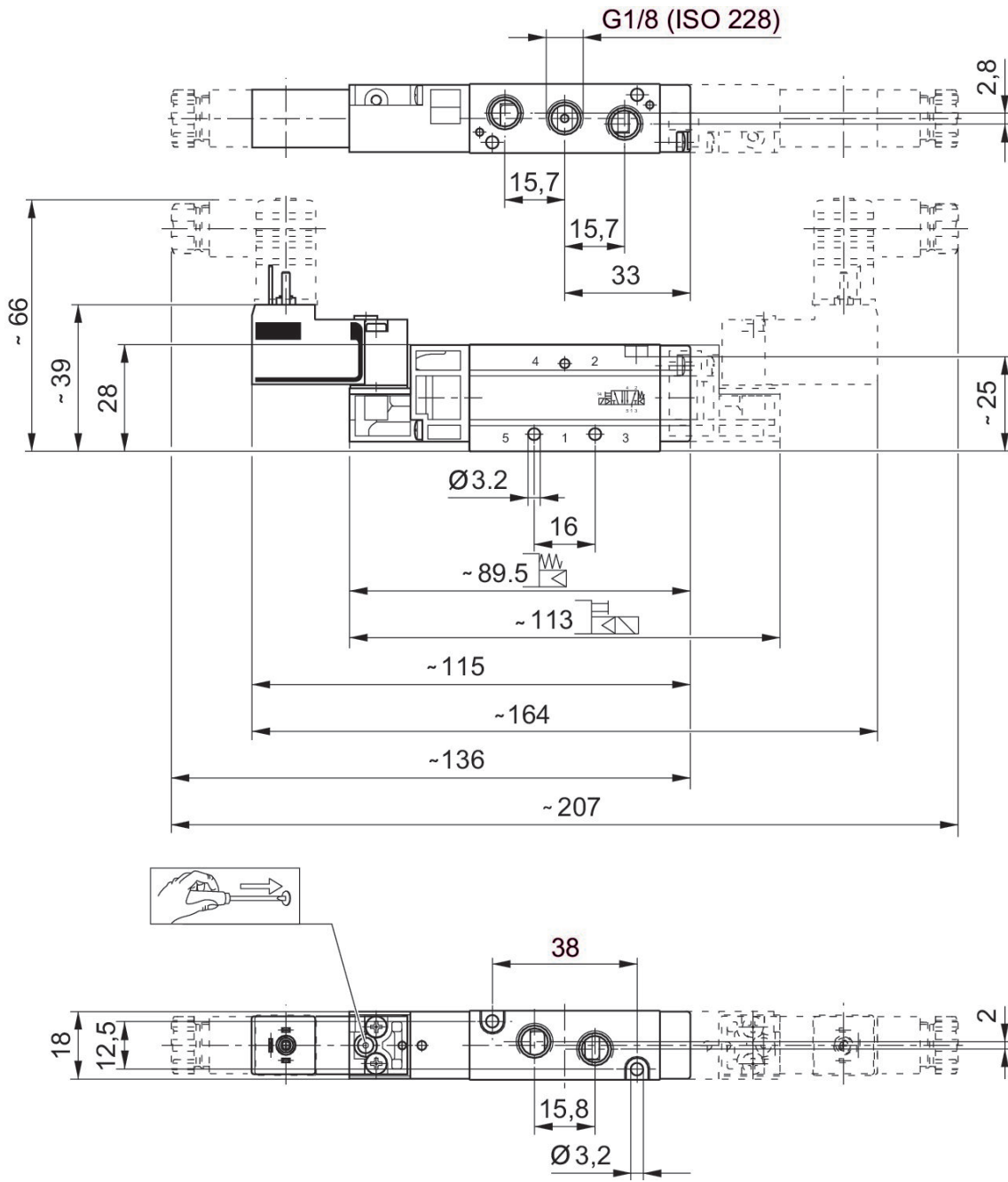
**5/2-directional valve, Series WV02**

500 l/min  
 Plug  
 ISO 15217, form C  
 Internal thread  
 Electrically  
 G 1/8



Min. work- ing pressure [bar]	Max. work- ing pressure [bar]	Operational voltage	Pilot	Power con- sumption DC [W]	Operational voltage AC at 50 Hz	Operational voltage AC at 60 Hz	Part No.
2	10	24 V AC	Internal		24 V	24 V	0820038104
2	10	24 V DC	Internal	2			0820038102
2	10	24 V DC	Internal	1			0820038103
2	10	110 V AC	Internal		110 V	110 V	0820038105
2	10	230 V AC	Internal		230 V	230 V	0820038101
1.5	10	24 V AC	Internal		24 V	24 V	0820038604
1.5	10	24 V DC	Internal	2			0820038602
1.5	10	24 V DC	Internal	1			0820038603
1.5	10	110 V AC	Internal		110 V	110 V	0820038605
1.5	10	230 V AC	Internal		230 V	230 V	0820038601

Dimensions



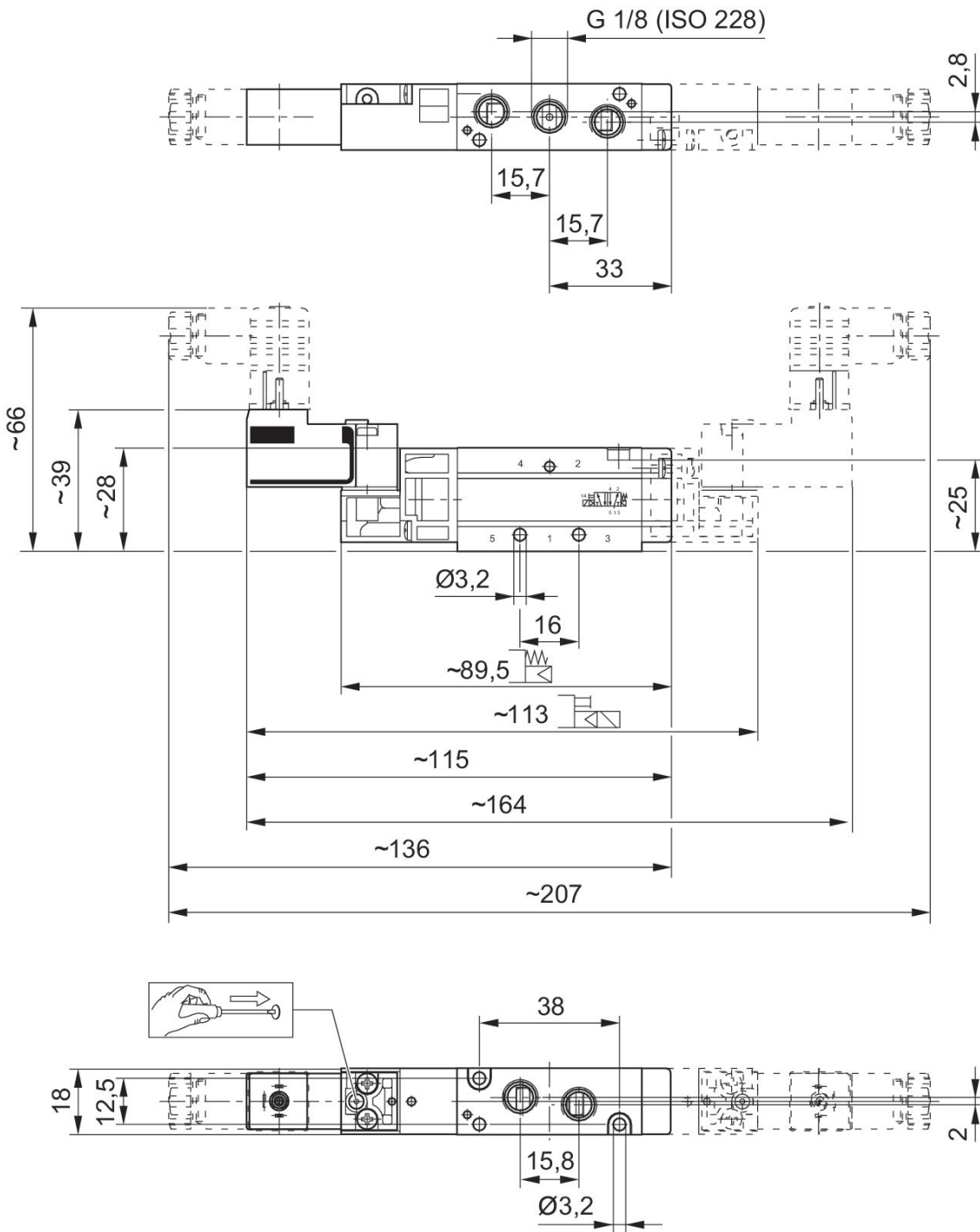
**5/2-directional valve, Series WV02**

500 l/min  
 Plug  
 ISO 15217, form C  
 Internal thread  
 Electrically  
 G 1/8



Min. work- ing pressure [bar]	Max. work- ing pressure [bar]	Operational voltage	Pilot	Power con- sumption DC [W]	Operational voltage AC at 50 Hz	Operational voltage AC at 60 Hz	Part No.
2	10	24 V AC	Internal		24 V	24 V	0820038128
2	10	24 V DC	Internal	2			0820038126
2	10	24 V DC	Internal	1			0820038127
2	10	110 V AC	Internal		110 V	110 V	0820038129
2	10	230 V AC	Internal		230 V	230 V	0820038125
1.5	10	24 V AC	Internal		24 V	24 V	0820038628
1.5	10	24 V DC	Internal	2			0820038626
1.5	10	24 V DC	Internal	1			0820038627
1.5	10	110 V AC	Internal		110 V	110 V	0820038629
1.5	10	230 V AC	Internal		230 V	230 V	0820038625

Dimensions



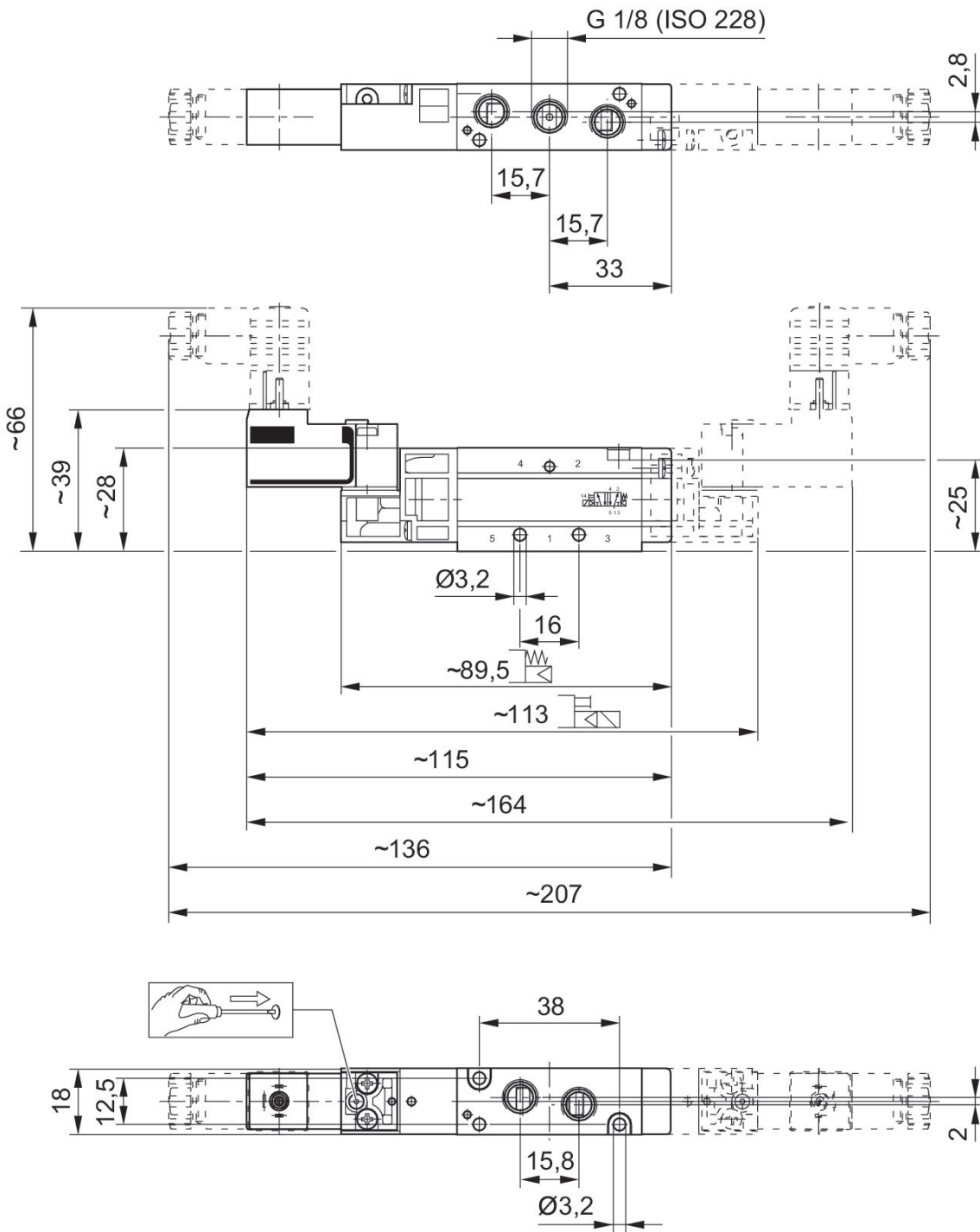
**5/2-directional valve, Series WV02**

500 l/min  
Single or Double Solenoid  
Plug  
ISO 15217, form C  
Internal thread  
Electrically  
G 1/8



Basic valve equipment	Min. working pressure [bar]	Max. working pressure [bar]	Pilot	Part No.
Basic valve without coil	2	10	Internal	0820038951
Basic valve without coil	1.5	10	Internal	0820038953

Dimensions



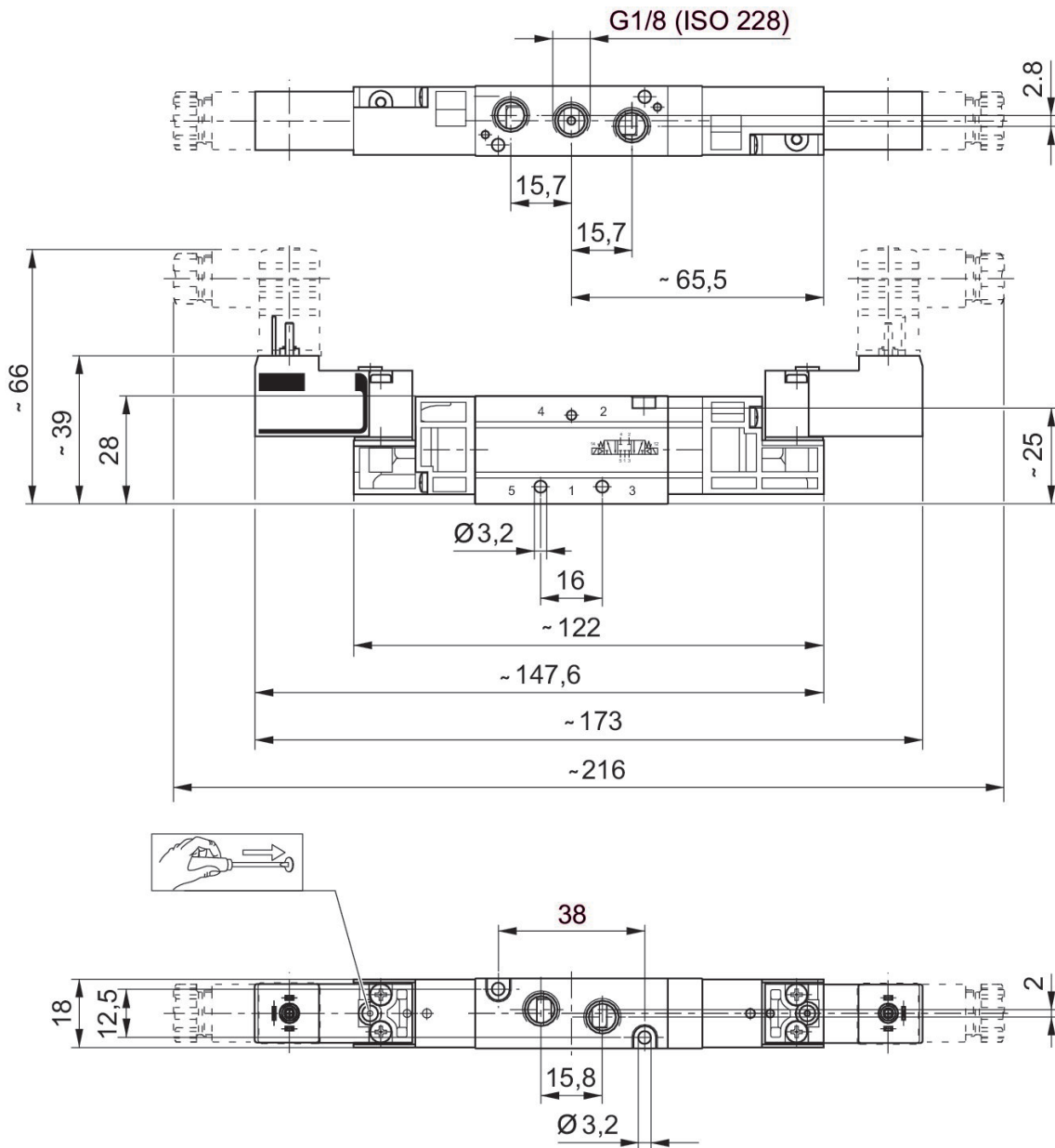
**5/3-directional valve, Series WV02**

Plug  
ISO 15217, form C  
Internal thread  
Electrically  
G 1/8



Valve function	Min. working pressure [bar]	Max. working pressure [bar]	Operational voltage	Pilot	Power consumption DC [W]	Operational voltage AC at 50 Hz	Operational voltage AC at 60 Hz	Part No.
Closed Center	2.2	10	24 V AC	Internal		24 V	24 V	0820039018
Closed Center	2.2	10	24 V DC	Internal	2			0820039016
Closed Center	2.2	10	24 V DC	Internal	1			0820039017
Closed Center	2.2	10	110 V AC	Internal		110 V	110 V	0820039019
Closed Center	2.2	10	230 V AC	Internal		230 V	230 V	0820039015
Exhausted Center	2.2	10	24 V AC	Internal		24 V	24 V	0820039033
Exhausted Center	2.2	10	24 V DC	Internal	2			0820039031
Exhausted Center	2.2	10	24 V DC	Internal	1			0820039032
Exhausted Center	2.2	10	110 V AC	Internal		110 V	110 V	0820039034
Exhausted Center	2.2	10	230 V AC	Internal		230 V	230 V	0820039030
Pressurized Center	2.2	10	24 V AC	Internal		24 V	24 V	0820039063
Pressurized Center	2.2	10	24 V DC	Internal	2			0820039061
Pressurized Center	2.2	10	24 V DC	Internal	1			0820039062
Pressurized Center	2.2	10	110 V AC	Internal		110 V	110 V	0820039064
Pressurized Center	2.2	10	230 V AC	Internal		230 V	230 V	0820039060

Dimensions





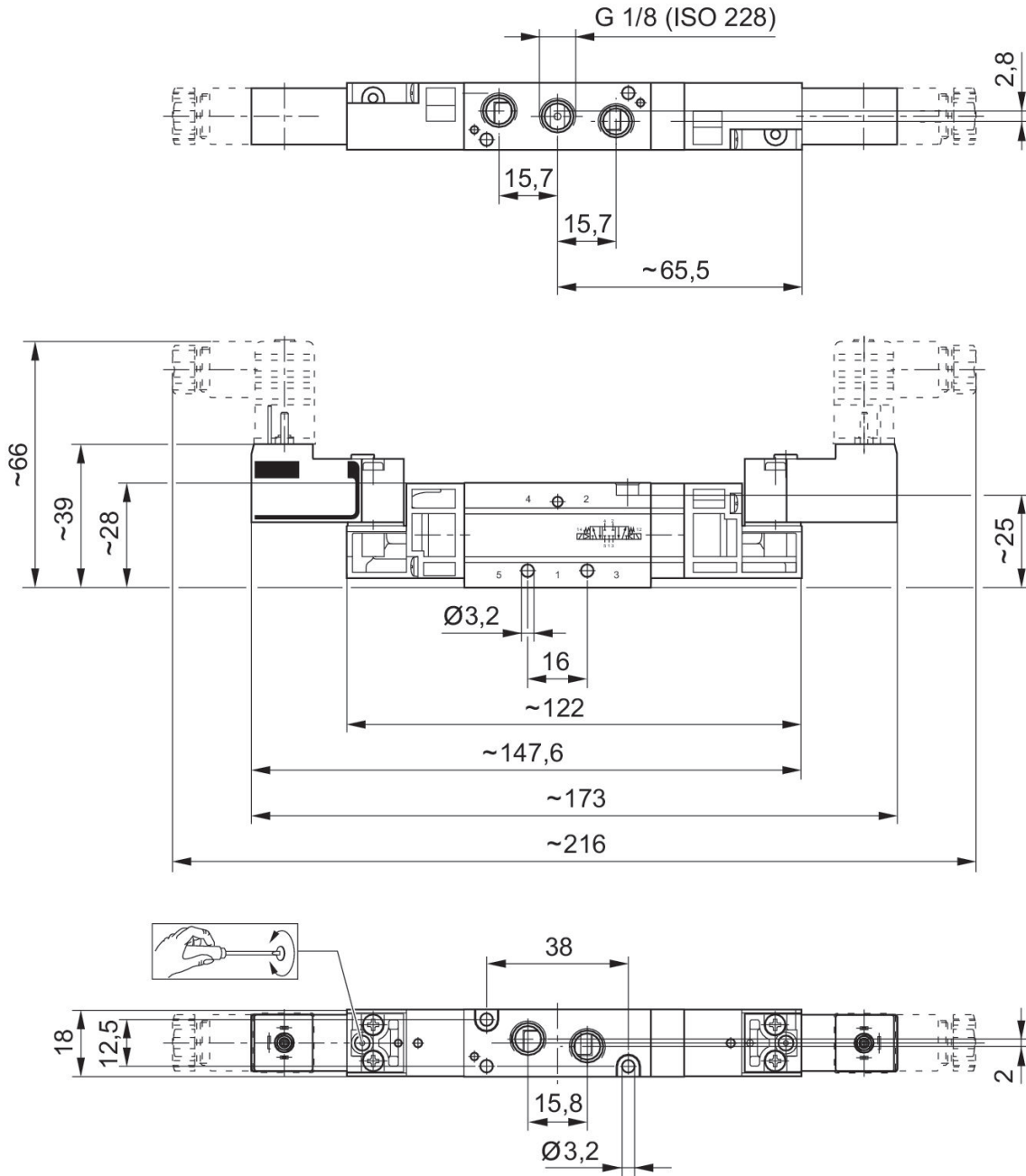
**5/3-directional valve, Series WV02**

Double Solenoid  
Plug  
ISO 15217, form C  
Internal thread  
Electrically  
G 1/8



Valve function	Min. working pressure [bar]	Max. working pressure [bar]	Operational voltage	Pilot	Power consumption DC [W]	Operational voltage AC at 50 Hz	Operational voltage AC at 60 Hz	Part No.
Closed Center	2.2	10	24 V AC	Internal		24 V	24 V	0820039118
Closed Center	2.2	10	24 V DC	Internal	2			0820039116
Closed Center	2.2	10	24 V DC	Internal	1			0820039117
Closed Center	2.2	10	110 V AC	Internal		110 V	110 V	0820039119
Closed Center	2.2	10	230 V AC	Internal		230 V	230 V	0820039115
Exhausted Center	2.2	10	24 V AC	Internal		24 V	24 V	0820039133
Exhausted Center	2.2	10	24 V DC	Internal	2			0820039131
Exhausted Center	2.2	10	24 V DC	Internal	1			0820039132
Exhausted Center	2.2	10	110 V AC	Internal		110 V	110 V	0820039134
Exhausted Center	2.2	10	230 V AC	Internal		230 V	230 V	0820039130
Pressurized Center	2.2	10	24 V AC	Internal		24 V	24 V	0820039163
Pressurized Center	2.2	10	24 V DC	Internal	2			0820039161
Pressurized Center	2.2	10	24 V DC	Internal	1			0820039162
Pressurized Center	2.2	10	110 V AC	Internal		110 V	110 V	0820039164
Pressurized Center	2.2	10	230 V AC	Internal		230 V	230 V	0820039160

Dimensions



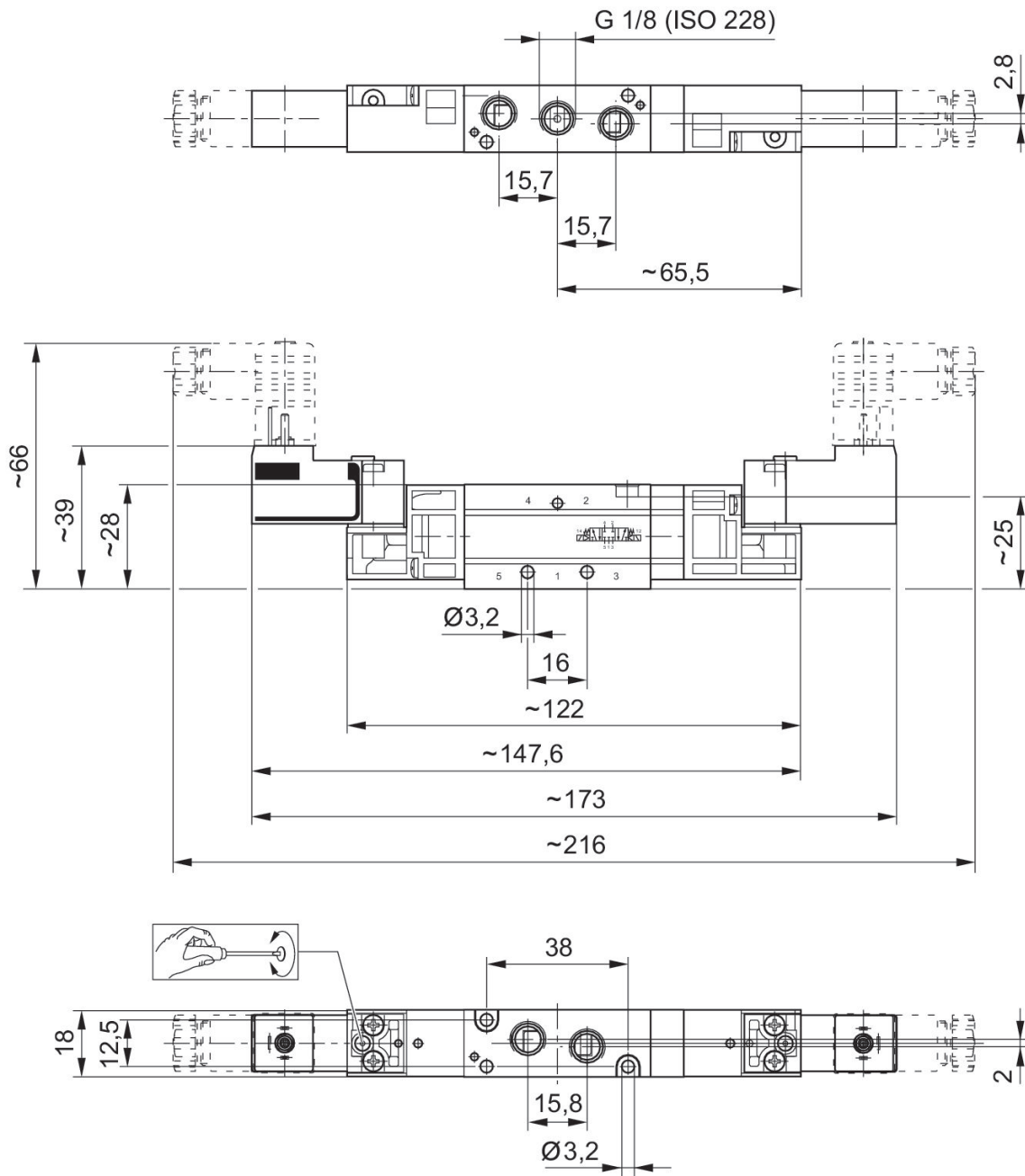
**5/3-directional valve, Series WV02**

Plug  
ISO 15217, form C  
Internal thread  
Electrically  
G 1/8



Valve function	Basic valve equipment	Min. working pressure [bar]	Max. working pressure [bar]	Pilot	Part No.
Closed Center	Basic valve without coil	2.2	10	Internal	0820039983
Exhausted Center	Basic valve without coil	2.2	10	Internal	0820039984
Pressurized Center	Basic valve without coil	2.2	10	Internal	0820039985

Dimensions



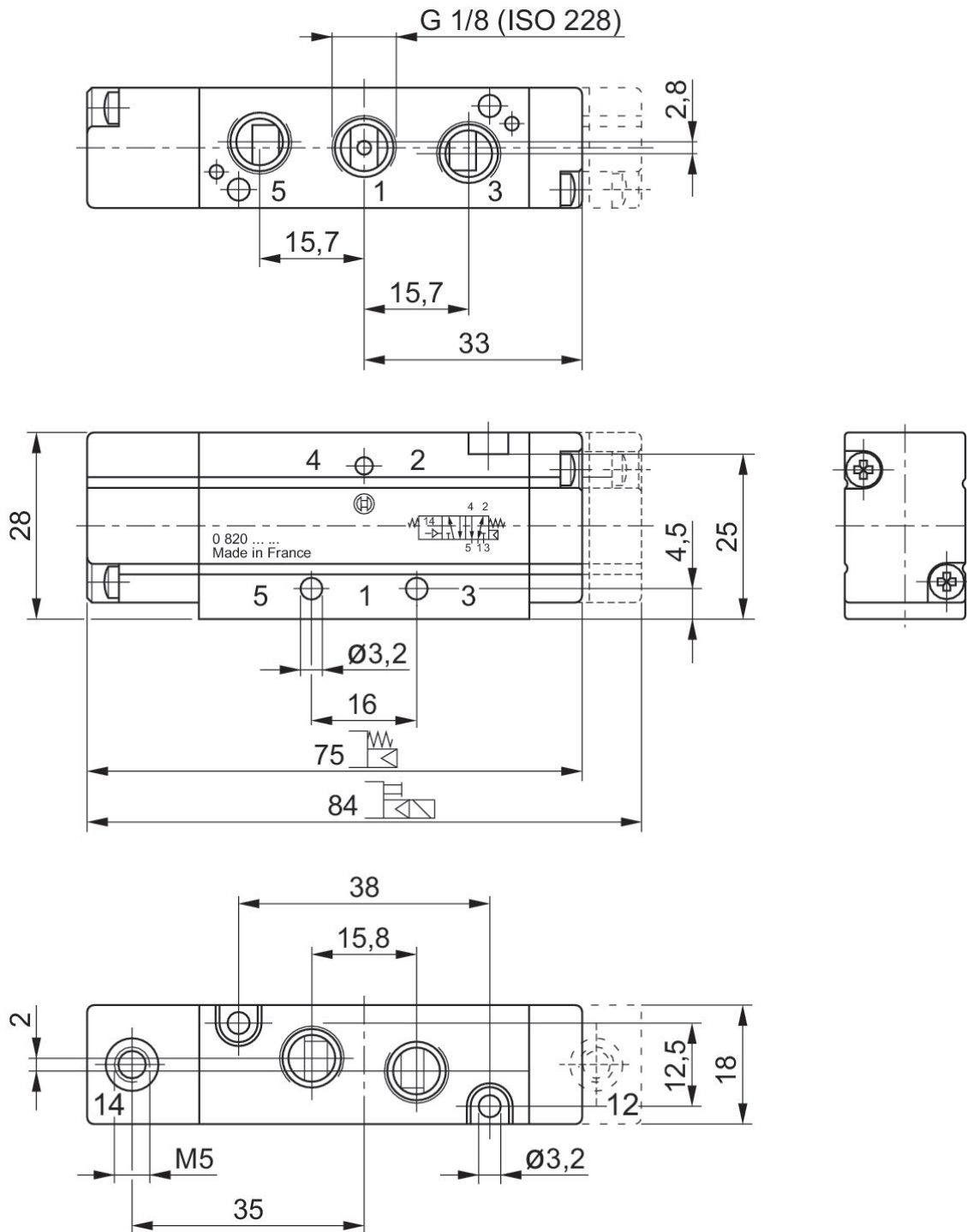
**5/2-directional valve, Series WV02**

500 l/min  
Internal thread  
Pneumatically  
G 1/8



Compressed air connection input	Compressed air connection output	Min. working pressure [bar]	Max. working pressure [bar]	Pilot	Flow Qn [l/min]	Part No.
G 1/8	G 1/8	2	10	External	500	0820238001
G 1/8	G 1/8	-0.9	10	External	500	0820238002

Dimensions



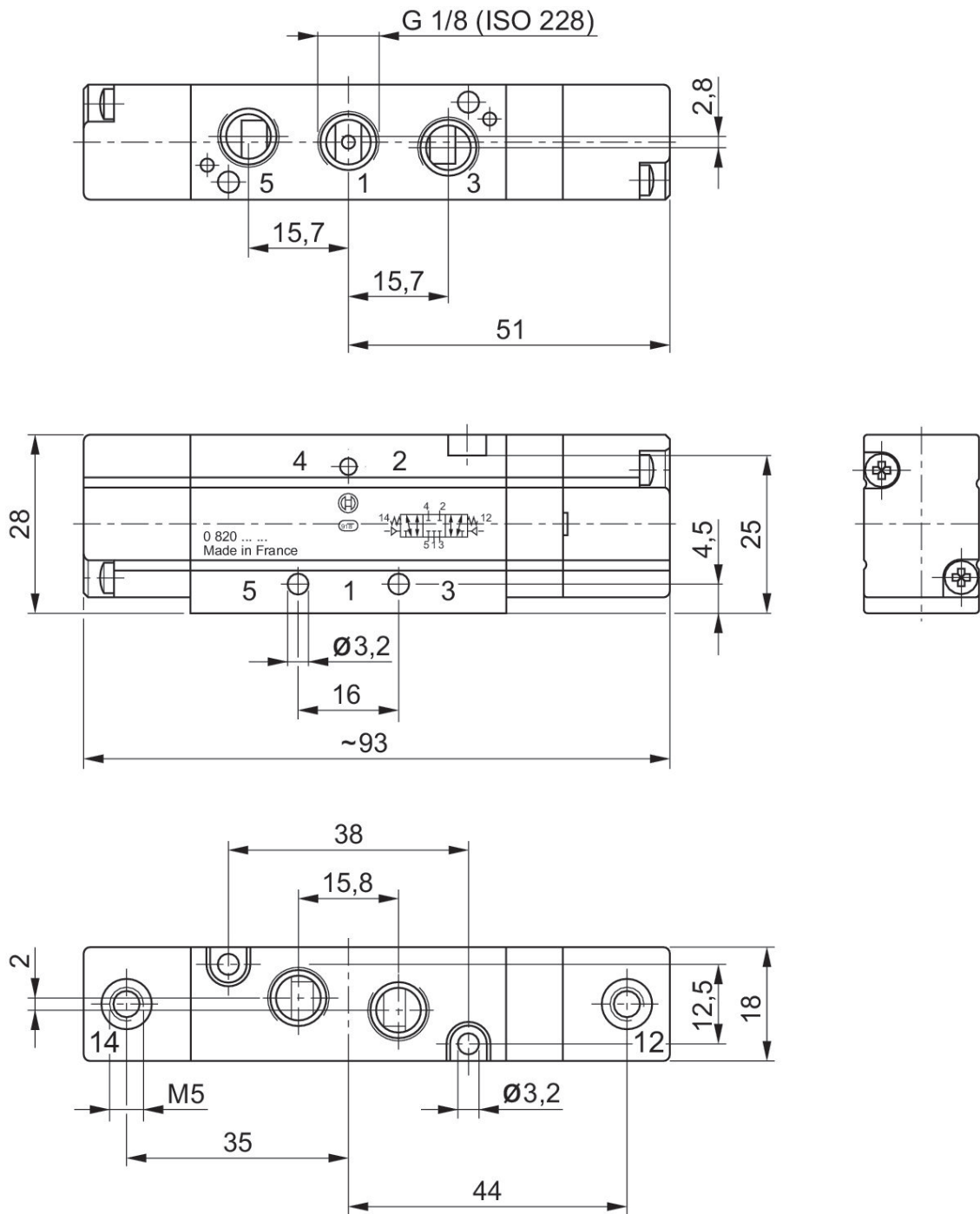
**5/3-directional valve, Series WV02**

Double Air Pilot  
Internal thread  
Pneumatically  
G 1/8



Valve function	Compressed air connection input	Compressed air connection output	Min. working pressure [bar]	Max. working pressure [bar]	Pilot	Flow Qn [l/min]	Part No.
Closed Center	G 1/8	G 1/8	-0.9	10	External	400	0820239001
Exhausted Center	G 1/8	G 1/8	-0.9	10	External	250	0820239002
Pressurized Center	G 1/8	G 1/8	-0.9	10	External	250	0820239003

Dimensions





### Valve plug connector, series CON-VP

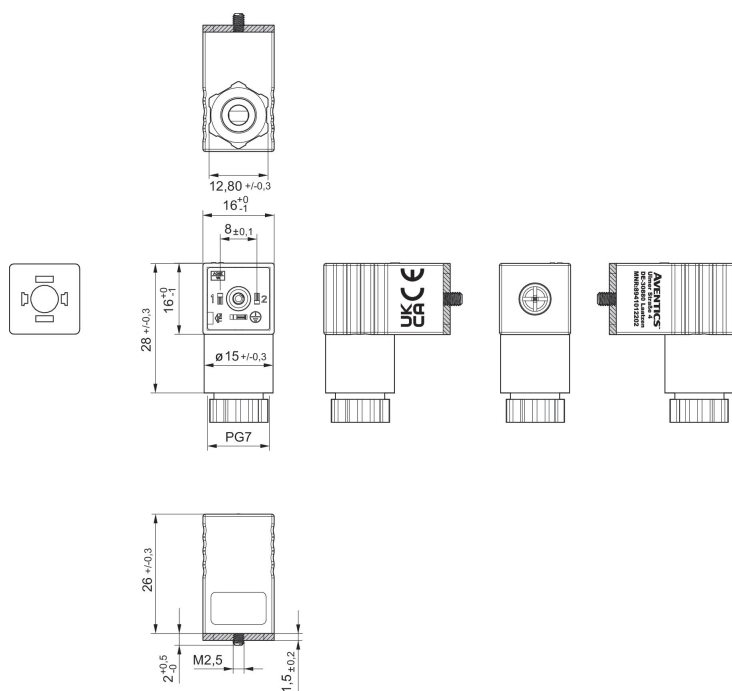
EN 175301-803, form C  
CE declaration of conformity  
UKCA



Operational voltage	Max. current [A]	Contact assignment	min. suitable cable Ø [mm]	max. suitable cable Ø [mm]	Part No.
300 V DC / 250 V AC	6	2+E	4	6	8941012202

### 8941012202

Dimensions



Flat gasket

### Valve plug connector, series CON-VP

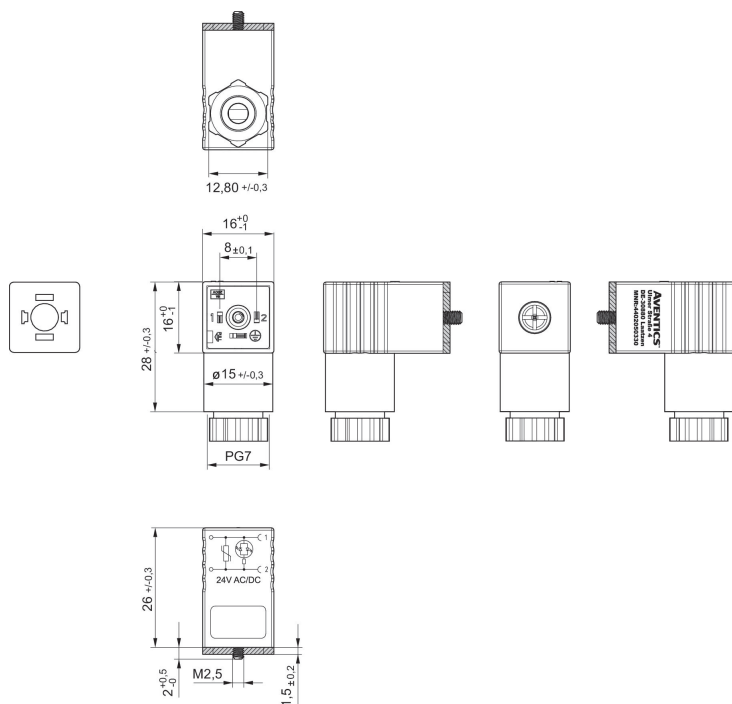
EN 175301-803, form C



Operational voltage	Protective circuit	Max. current [A]	Contact assignment	LED status display	min. suitable cable Ø [mm]	max. suitable cable Ø [mm]	Part No.
24 V AC/DC	Varistor	1.5	2+E	Green	4	6	4402050330

### 4402050330

Dimensions



Flat gasket

## Valve plug connector, series CON-VP

form C



Operational voltage	Protective circuit	Max. current [A]	Contact assignment	LED status display	Cable-Ø [mm]	Cable length [m]	Part No.
230 V AC/DC		6	2+E		5.9	3	1834484212
230 V AC/DC		6	2+E		5.9	5	1834484214
24 V AC/DC	Z-diode	6	2+E	Yellow	5.9	3	1834484204
24 V AC/DC	Z-diode	6	2+E	Yellow	5.9	5	1834484206
230 V AC/DC	Varistor	6	2+E	Yellow	5.9	3	1834484208
230 V AC/DC	Varistor	6	2+E	Yellow	5.9	5	1834484210



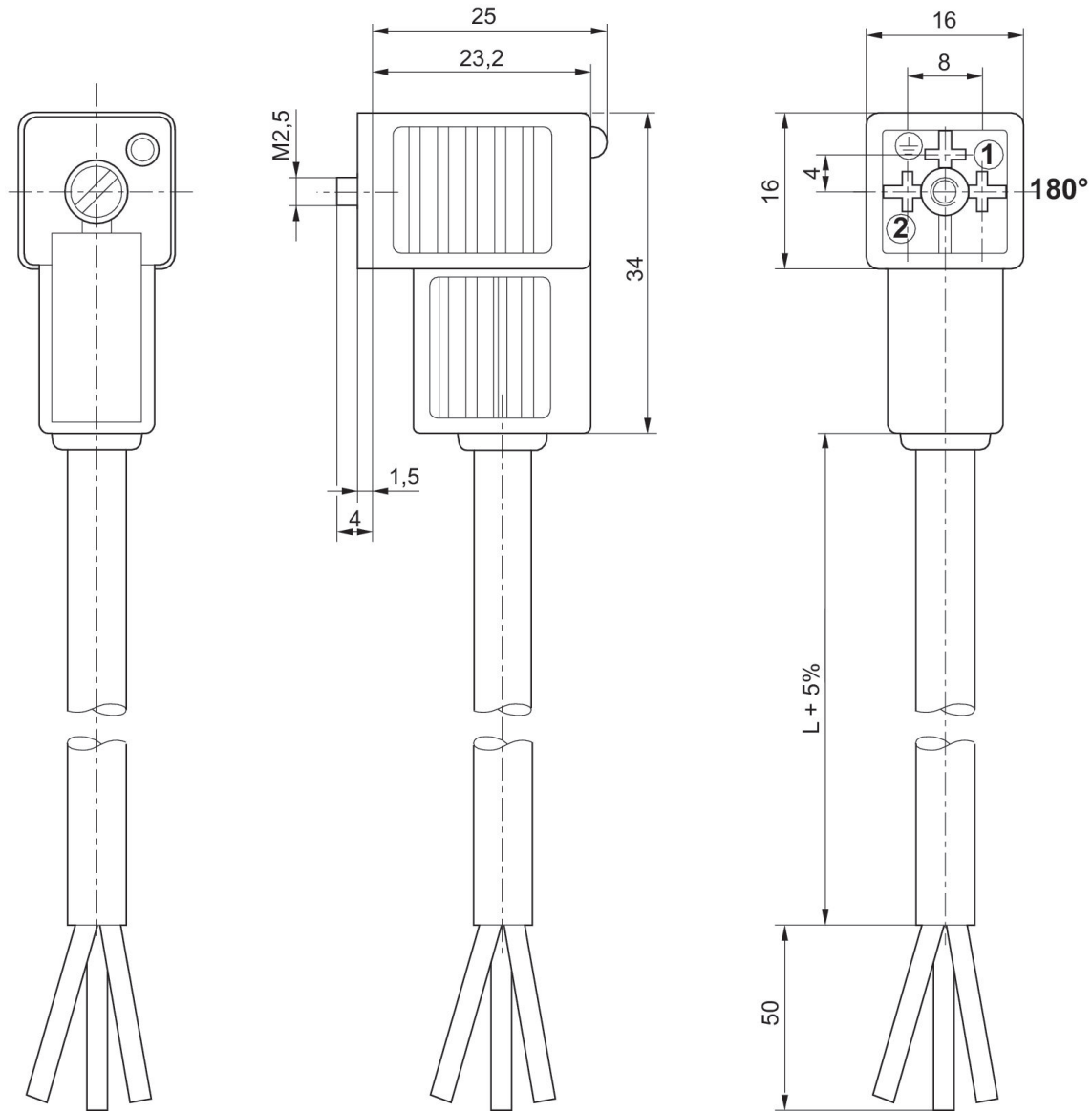
## Valve plug connector, series CON-VP

form C

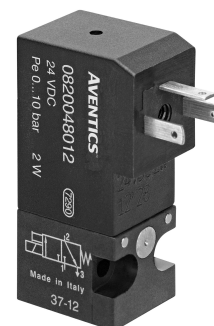


Operational voltage	Protective circuit	Max. current [A]	Contact assignment	LED status display	Cable-Ø [mm]	Cable length [m]	Part No.
230 V AC/DC		6	2+E		5.9	3	1834484213
230 V AC/DC		6	2+E		5.9	5	1834484215
24 V AC/DC	Z-diode	6	2+E	Yellow	5.9	3	1834484205
24 V AC/DC	Z-diode	6	2+E	Yellow	5.9	5	1834484207
230 V AC/DC	Varistor	6	2+E	Yellow	5.9	3	1834484209
230 V AC/DC	Varistor	6	2+E	Yellow	5.9	5	1834484211
24 V AC/DC	Z-diode	6	2+E	Yellow	5.9	10	1834484236

Dimensions

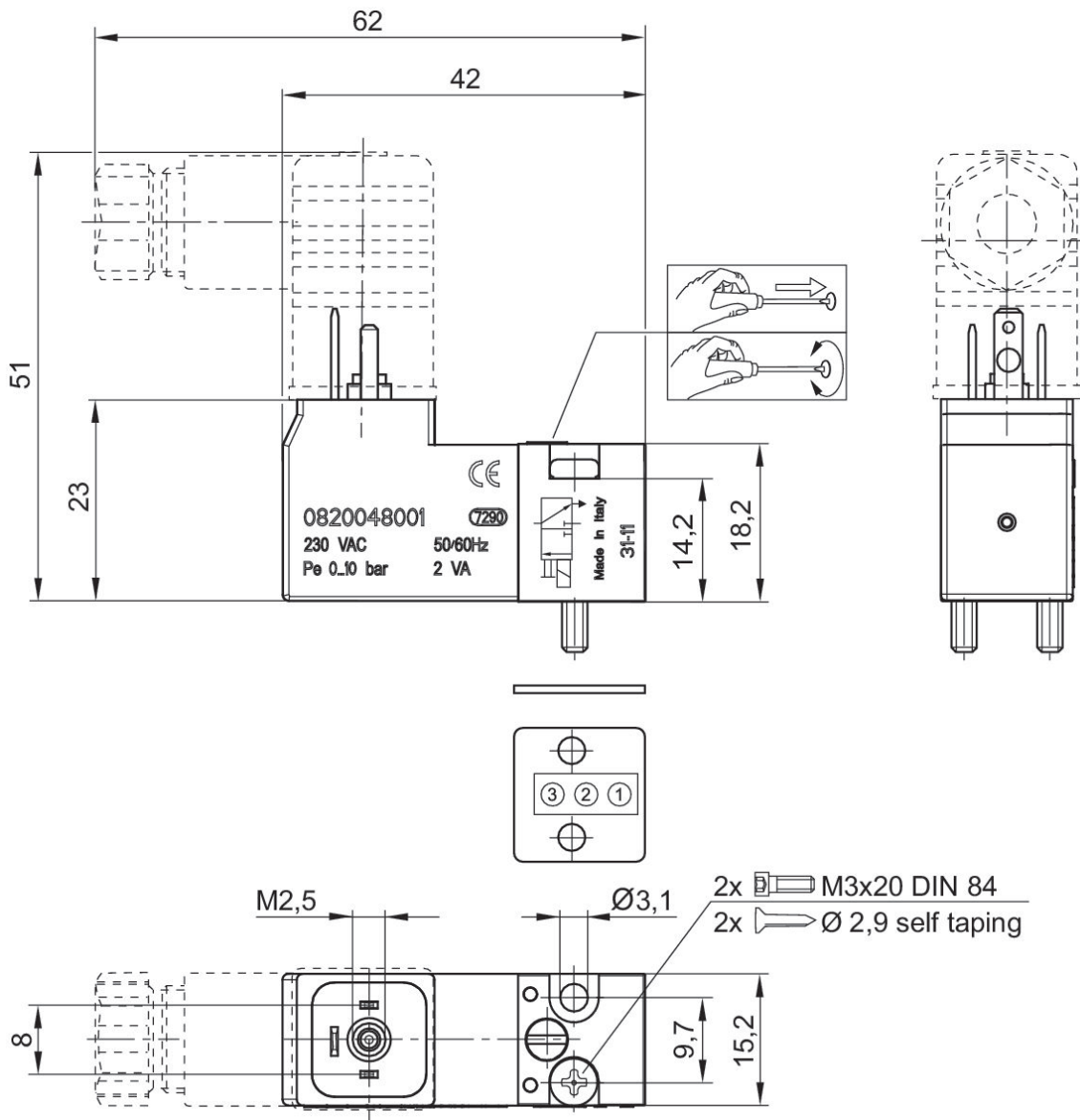


180° female insert

**3/2-directional valve, Series DO16**Plug  
Electrically

Valve function	Switching principle	Operational voltage	Power consumption DC [W]	Part No.
NC	3/2, with spring return	24 V DC	2	0820048002
NC	3/2, with spring return	24 V AC		0820048004
NC	3/2, with spring return	110 V AC		0820048005
NC	3/2, with spring return	230 V AC		0820048001
NC	3/2, with spring return	24 V DC	2	0820048026
NC	3/2, with spring return	24 V AC		0820048028
NO	3/2, with spring return	230 V AC		0820048101
NC	3/2, with spring return	110 V AC		0820048029
NC	3/2, with spring return	230 V AC		0820048025
NO	3/2, with spring return	24 V DC	2	0820048102
NO	3/2, with spring return	24 V DC	2	0820048126

Dimensions



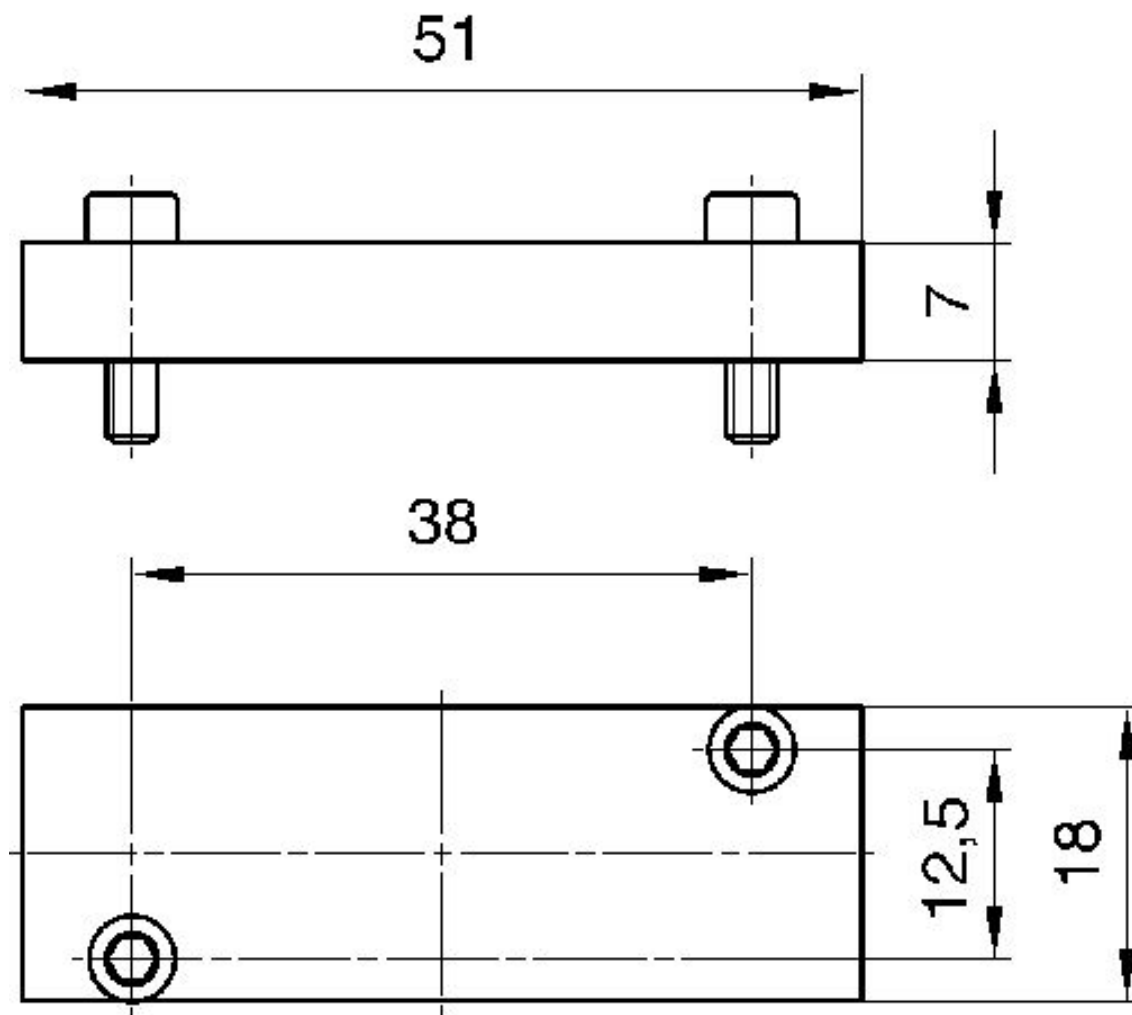


Blanking plate



Part No.
1825503932

Dimensions



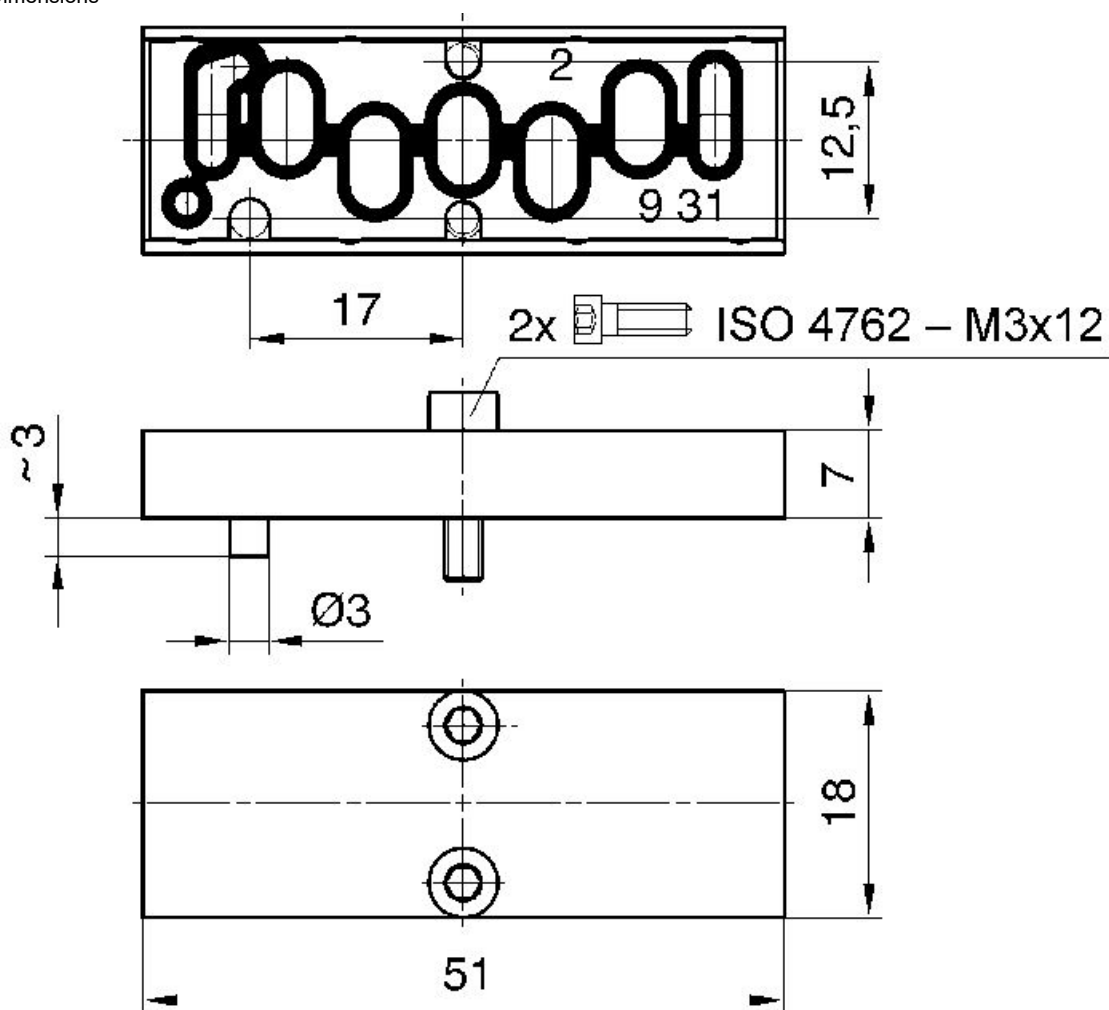
### Blanking plate

ISO 15407-1



Part No.
1825503933

Dimensions



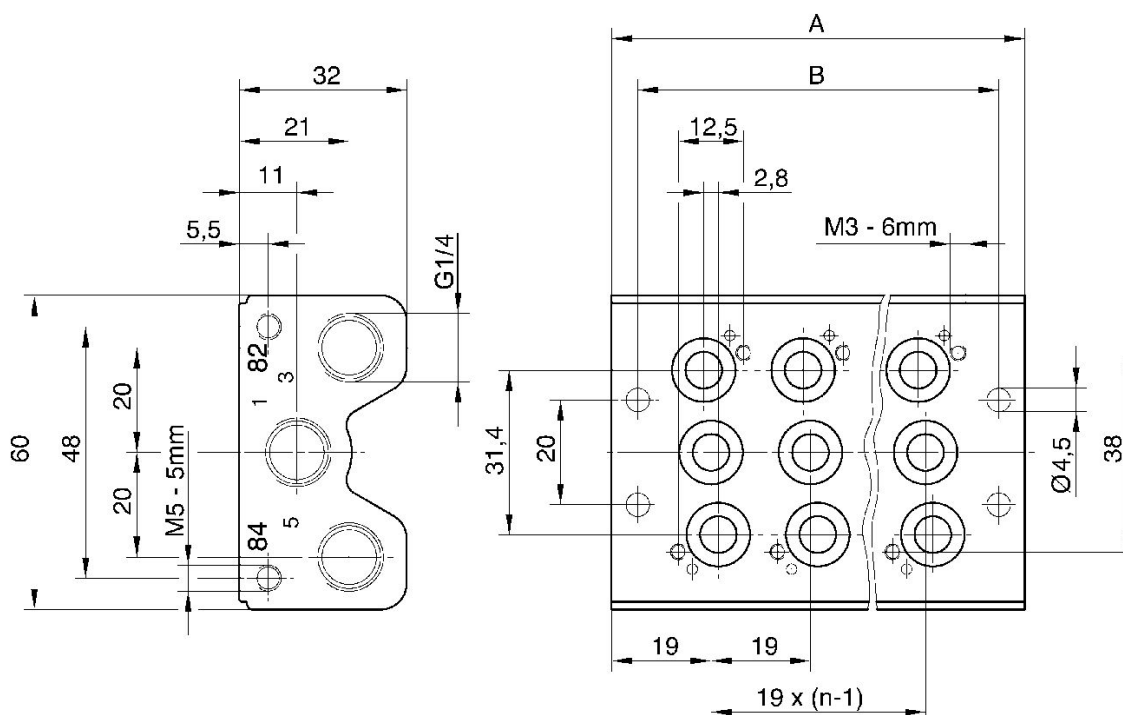
### Manifold block

Internal thread  
G 1/4  
G 1/4



Max. number of valve positions	Part No.	
2	1825503893	
3	1825503894	
4	1825503895	
5	1825503896	
6	1825503897	
7	1825503898	
8	1825503899	
9	1825503900	
10	1825503901	

#### Dimensions



Ports 82 and 84: pilot exhaust air

Part No.	A	B
1825503893	57	47
1825503894	76	66
1825503895	95	85
1825503896	114	104
1825503897	133	123
1825503898	152	142
1825503899	171	161
1825503900	190	180
1825503901	209	199

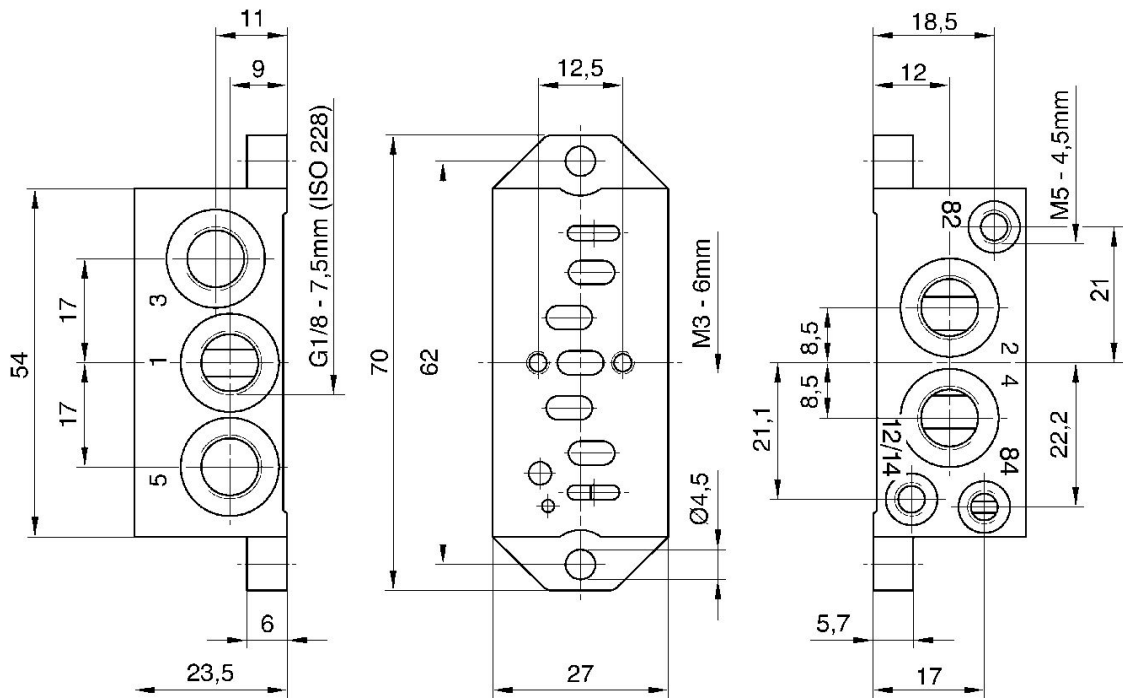
Single subbase, thread connections on the side

ISO 15407-1  
Internal thread  
G 1/8  
G 1/8



Part No.
1825503890

Dimensions



Ports 82 and 84: pilot exhaust air  
Connection 12 and 14: external pilot

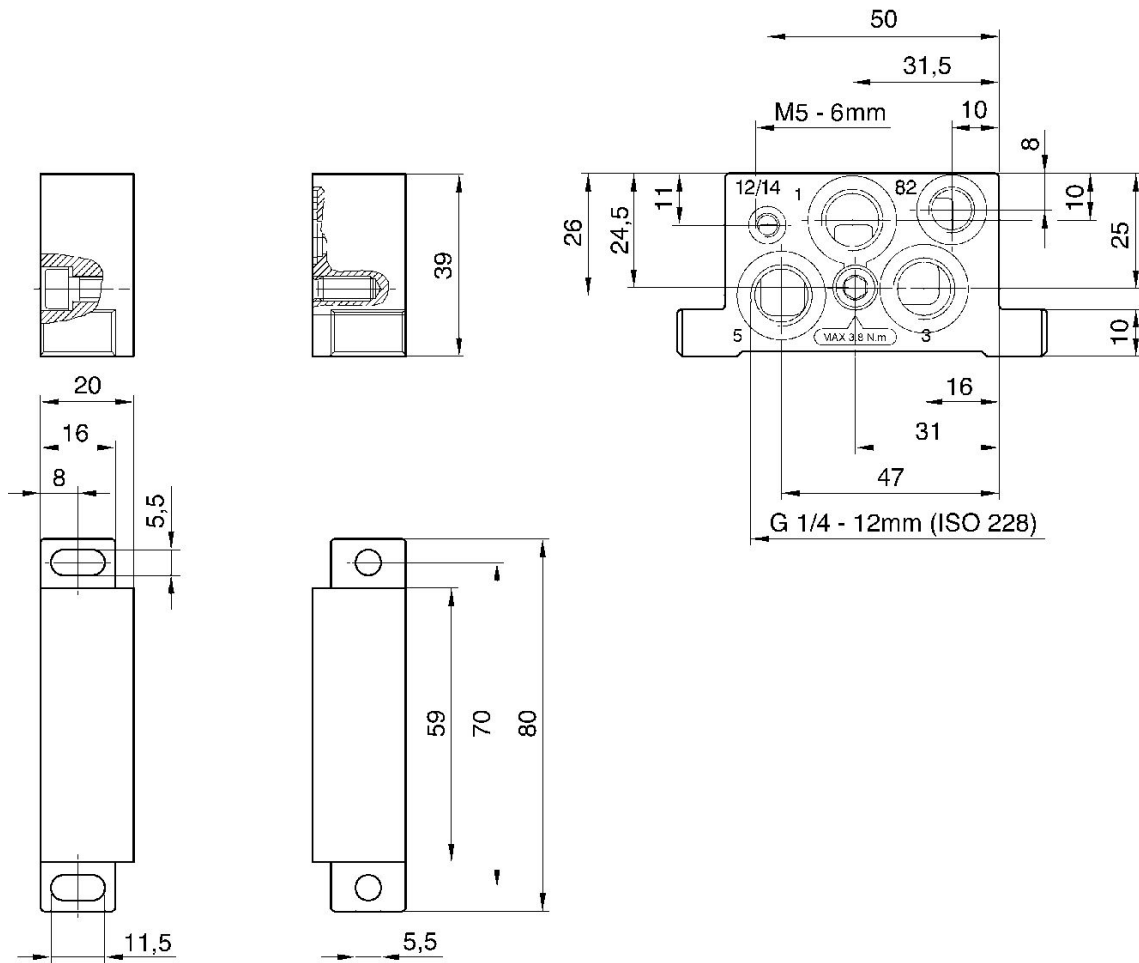
End plate left, End plate right

ISO 15407-1  
Internal thread  
G 1/4



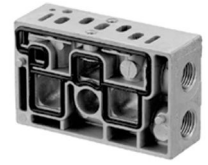
Part No.
1825503892

Dimensions



## Base plate

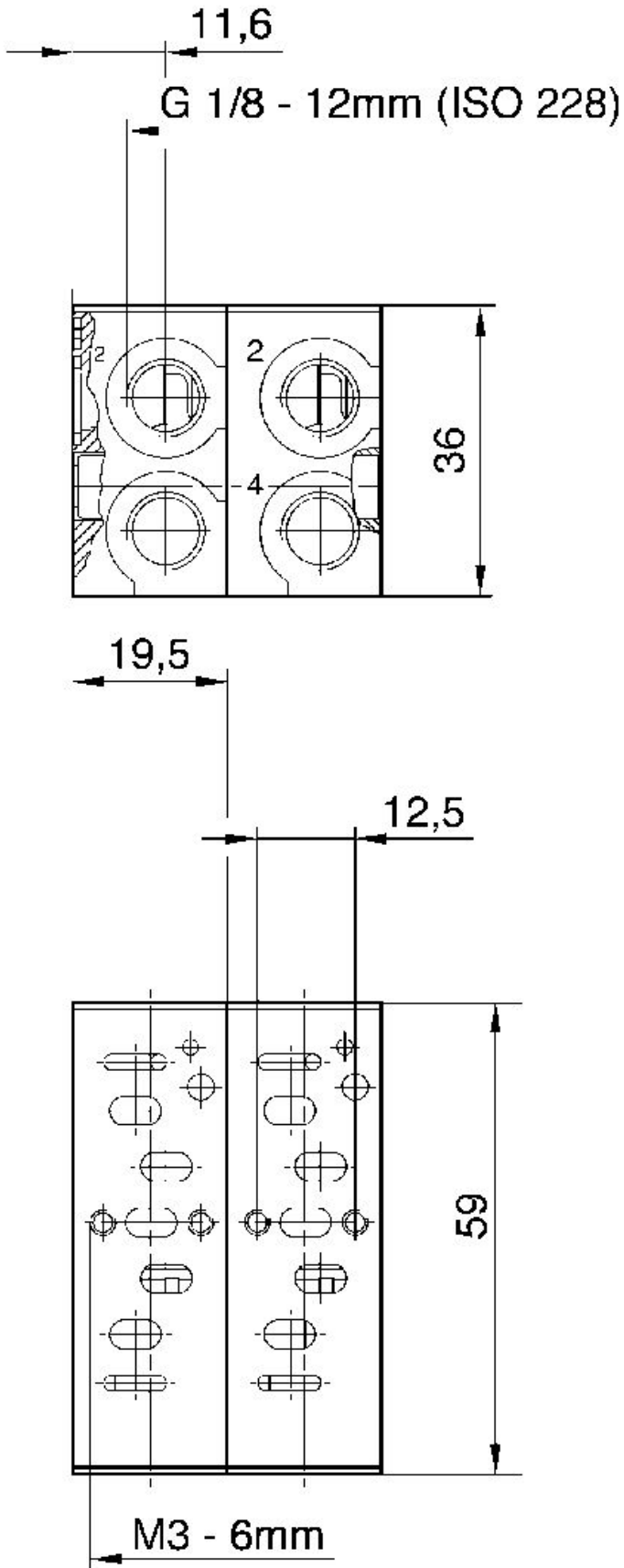
ISO 15407-1  
Internal thread



Part No.
----------

1825503891
------------

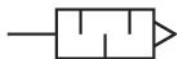
Dimensions





### Silencers, series SI1

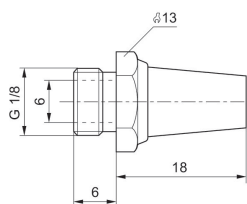
External thread  
Sintered bronze



Compressed air connection	Sound pressure level [dB]	Nominal flow [l/min]	Delivery unit [piece]	Weight [kg]	Part No.
G 1/8	75	1623	10	0.01	1827000000
G 1/4		5950	10	0.013	R412004817
G 1/4	79	3390	10	0.02	1827000001

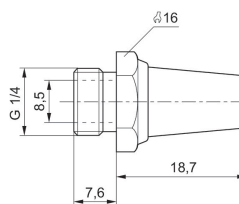
#### 1827000000

Dimensions in mm



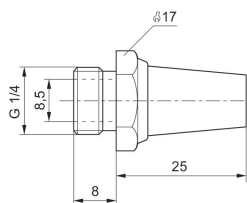
#### R412004817

Dimensions in mm



#### 1827000001

Dimensions in mm



# Efficient pneumatic solutions, our program: cylinders and drives, valves and valve systems, air supply management



Visit us: [Emerson.com/Aventics](https://www.emerson.com/aventics)

Your local contact: [Emerson.com/contactus](https://www.emerson.com/contactus)



[Emerson.com](https://www.emerson.com)



[Facebook.com/EmersonAutomationSolutions](https://www.facebook.com/EmersonAutomationSolutions)



[LinkedIn.com/company/Emerson-Automation-Solutions](https://www.linkedin.com/company/Emerson-Automation-Solutions)



[Twitter.com/EMR\\_Automation](https://twitter.com/EMR_Automation)

An example configuration is depicted on the title page. The delivered product may thus vary from that in the illustration. Subject to change. This Document, as well as the data, specifications and other information set forth in it, are the exclusive property of AVENTICS GmbH. It may not be reproduced or given to third parties without its consent. Only use the AVENTICS products shown in industrial applications. Read the product documentation completely and carefully before using the product. Observe the applicable regulations and laws of the respective country. When integrating the product into applications, note the system manufacturer's specifications for safe use of the product. The data specified only serve to describe the product. No statements concerning a certain condition or suitability for a certain application can be derived from our information. The information given does not release the user from the obligation of own judgment and verification. It must be remembered that the products are subject to a natural process of wear and aging.

The Emerson logo is a trademark and service mark of Emerson Electric Co. Brand logotype are registered trademarks of one of the Emerson family of companies. All other marks are the property of their respective owners. © 2019 Emerson Electric Co. All rights reserved.



**CONSIDER IT SOLVED™**