

AVENTICS Series ST Directional valves



AVENTICS™

Series ST



AVENTICS Series ST Directional valves

The AVENTICS Series ST offers a comprehensive range of spool valves with hardened stainless steel housing. The metal sealing system ensures their extended service life independent of the air quality. Its electrical, pneumatic, or mechanical actuating controls (roller, lever, pedal, push-button or plunger) make the ST Series ideal for demanding industry applications and panel installation.

- Stainless steel housing
- Metal to metal sealing
- Various mechanical actuating controls available
- panel installation



Product overview

	Page
Electrically operated	
3/2-directional valve, Series ST.....	7
Single Solenoid - metal/metal sealing	
5/2-directional valve, Series ST.....	9
Single Solenoid - metal/metal sealing	
5/2-directional valve, Series ST.....	11
Double Solenoid - metal/metal sealing	
Pneumatically operated	
3/2-directional valve, Series ST.....	13
Single Air Pilot - metal/metal sealing	
3/2-directional valve, Series ST.....	14
Single Air Pilot - metal/metal sealing	
5/2-directional valve, Series ST.....	15
Single Air Pilot - metal/metal sealing	
5/2-directional valve, Series ST.....	17
Single Air Pilot - metal/metal sealing	
5/2-directional valve, Series ST.....	19
Single Air Pilot - metal/metal sealing	
Mechanically operated	
3/2-directional valve, Series ST.....	21
metal/metal sealing - Plunger - 3/2, with spring return	
3/2-directional valve, Series ST.....	22
metal/metal sealing - Plunger - 3/2, with pneumatic return	
3/2-directional valve, Series ST.....	23
metal/metal sealing - Plunger - 3/2, double air pilot	
5/2-directional valve, Series ST.....	24
metal/metal sealing - Plunger - 5/2, with spring return	
5/2-directional valve, Series ST.....	25
metal/metal sealing - Plunger - 5/2, with air spring return	
5/2-directional valve, Series ST.....	27
metal/metal sealing - Plunger - 5/2, double air pilot	
3/2-directional valve, Series ST.....	28
metal/metal sealing - Push button - 3/2, with spring return	
3/2-directional valve, Series ST.....	30
metal/metal sealing - Push button - 3/2, with pneumatic return	
5/2-directional valve, Series ST.....	32
metal/metal sealing - Push button - 5/2, with spring return	
5/2-directional valve, Series ST.....	34
with air return - metal/metal sealing - Push button - 5/2, with air spring return	
3/2-directional valve, Series ST.....	37
metal/metal sealing - Roller - 3/2, with spring return	
3/2-directional valve, Series ST.....	39
metal/metal sealing - Roller - 3/2, with pneumatic return	
5/2-directional valve, Series ST.....	42
metal/metal sealing - Roller - 5/2, with spring return	
5/2-directional valve, Series ST.....	44
with air return - metal/metal sealing - Roller - 5/2, with air spring return	

Product overview

	Page
3/2-directional valve, Series ST.....	47
metal/metal sealing - Roller lever, one-way trip - 3/2, with spring return	
3/2-directional valve, Series ST.....	49
metal/metal sealing - Roller lever, one-way trip - 3/2, with pneumatic return	
5/2-directional valve, Series ST.....	52
metal/metal sealing - Roller lever, one-way trip - 5/2, with spring return	
5/2-directional valve, Series ST.....	54
with air return - metal/metal sealing - Roller lever, one-way trip - 5/2, with air spring return	
3/2-directional valve, Series ST.....	56
metal/metal sealing - Roller with single-action lever - 3/2, with spring return	
5/2-directional valve, Series ST.....	58
metal/metal sealing - Roller with single-action lever - 5/2, with spring return	
3/2-directional valve, Series ST.....	60
metal/metal sealing - Roller with articulated lever - 3/2, with spring return	
5/2-directional valve, Series ST.....	62
metal/metal sealing - Roller with articulated lever - 5/2, with spring return	
3/2-directional valve, Series ST.....	64
metal/metal sealing - Lever - 3/2, double air pilot	
5/2-directional valve, Series ST.....	66
metal/metal sealing - Lever - 5/2, double air pilot	
3/2-directional valve, Series ST.....	68
metal/metal sealing - Nozzle - 3/2, with spring return	
3/2-directional valve, Series ST.....	70
metal/metal sealing - Nozzle - 3/2, with spring return	
5/2-directional valve, Series ST.....	72
With spring return - metal/metal sealing - Nozzle - 5/2, with spring return	
5/2-directional valve, Series ST.....	74
With spring return - metal/metal sealing - Nozzle - 5/2, with spring return	
3/2-directional valve, Series ST.....	76
metal/metal sealing - Ball - 3/2, with spring return	
5/2-directional valve, Series ST.....	78
With spring return - metal/metal sealing - Ball - 5/2, with spring return	
3/2-directional valve, Series ST.....	80
metal/metal sealing - Spring-loaded rod - 3/2, with spring return	
5/2-directional valve, Series ST.....	82
With spring return - metal/metal sealing - Spring-loaded rod - 5/2, with spring return	
3/2-directional valve, Series ST.....	84
metal/metal sealing - panel installation - 3/2, with spring return	
3/2-directional valve, Series ST.....	87
metal/metal sealing - panel installation - 3/2, with pneumatic return	
5/2-directional valve, Series ST.....	91
metal/metal sealing - panel installation - 5/2, with spring return	
5/2-directional valve, Series ST.....	93
with air return - metal/metal sealing - panel installation - 5/2, with air spring return	
Accessories Series ST	
Silencers, series SI1, Sintered bronze.....	96
Valve plug connector, series CON-VP, 0° female insert.....	99
230 V AC/DC	

Product overview

	Page
Valve plug connector, series CON-VP, 0° female insert.....	101
Varistor	
Valve plug connector, series CON-VP, 0° female insert.....	103
Z-diode - 24 V AC/DC	
Valve plug connector with cable series CON-VP,, 180° female insert.....	105
Varistor - 230 V AC/DC	
Valve plug connector with cable series CON-VP,, 180° female insert.....	107
230 V AC/DC	
Valve plug connector with cable series CON-VP,, 180° female insert.....	109
Z-diode - 24 V AC/DC	
Valve plug connector, series CON-VP.....	111
Varistor - 24 V AC/DC	
Valve plug connector, series CON-VP, form C, 300 V DC / 250 V AC.....	113
3/2-directional valve, Series DO16, 8 mm.....	116
Soft seal	
Blanking plate.....	118
Mounting bracket.....	119
Manifold block.....	120
Manifold strip.....	121
Actuating controls for AP/ST series control panel valves.....	123
Push button - Green	
Actuating controls for AP/ST series control panel valves.....	124
Push button - Red	
Actuating controls for AP/ST series control panel valves.....	125
Push button - Black	
Actuating controls for AP/ST series control panel valves.....	126
Push button - Yellow	
Actuating controls for AP/ST series control panel valves.....	127
Mushroom button - Red	
Actuating controls for AP/ST series control panel valves.....	128
Mushroom button - Green	
Actuating controls for AP/ST series control panel valves.....	129
Mushroom button - Yellow	
Actuating controls for AP/ST series control panel valves.....	130
Emergency OFF button, red, with detent and rotary release - Red	
Actuating controls for AP/ST series control panel valves.....	131
Lever switch - Red	
Actuating controls for AP/ST series control panel valves.....	132
Lever switch - White	
Actuating controls for AP/ST series control panel valves.....	133
Rotary switch with two notched positions - Red	
Actuating controls for AP/ST series control panel valves.....	134
Rotary switch with two notched positions - Grey	
Actuating controls for AP/ST series control panel valves.....	135
Push button with detent and rotary release - Black	
Actuating controls for AP/ST series control panel valves.....	136
Rotary lock with two keys - Grey - Rotary lock with two keys - Grey	
Accessories for actuating controls for AP/ST series control panel valves.....	137
Label base - Anthracite	

Product overview

	Page
Accessories for actuating controls for AP/ST series control panel valves..... Name plates, angular - silver	138
Accessories for actuating controls for AP/ST series control panel valves..... Emergency OFF sign, round - Yellow	139
Accessories for actuating controls for AP/ST series control panel valves..... Blanking plug - Anthracite	140
Accessories for actuating controls for AP/ST series control panel valves..... Mounting nut M22x1 - Black	141
Accessories for actuating controls for AP/ST series control panel valves..... Spare key	142
Accessories for actuating controls for AP/ST series control panel valves..... Reduction , Ø30.5 to Ø22.5	143
Accessories for actuating controls for AP/ST series control panel valves..... Adapter kit to connect actuating controls to AP/ST series valves	144

3/2-directional valve, Series ST

Flow: 280 l/min

Activation: Electrically

Control pressure min./max.: 2 bar ... 10 bar

Duty cycle: 100 %

Type: Spool valve

Ambient temperature min./max.: -10 °C ... 50 °C

Medium temperature min./max.: -10 °C ... 50 °C

Working pressure min./max.: 2 bar ... 10 bar

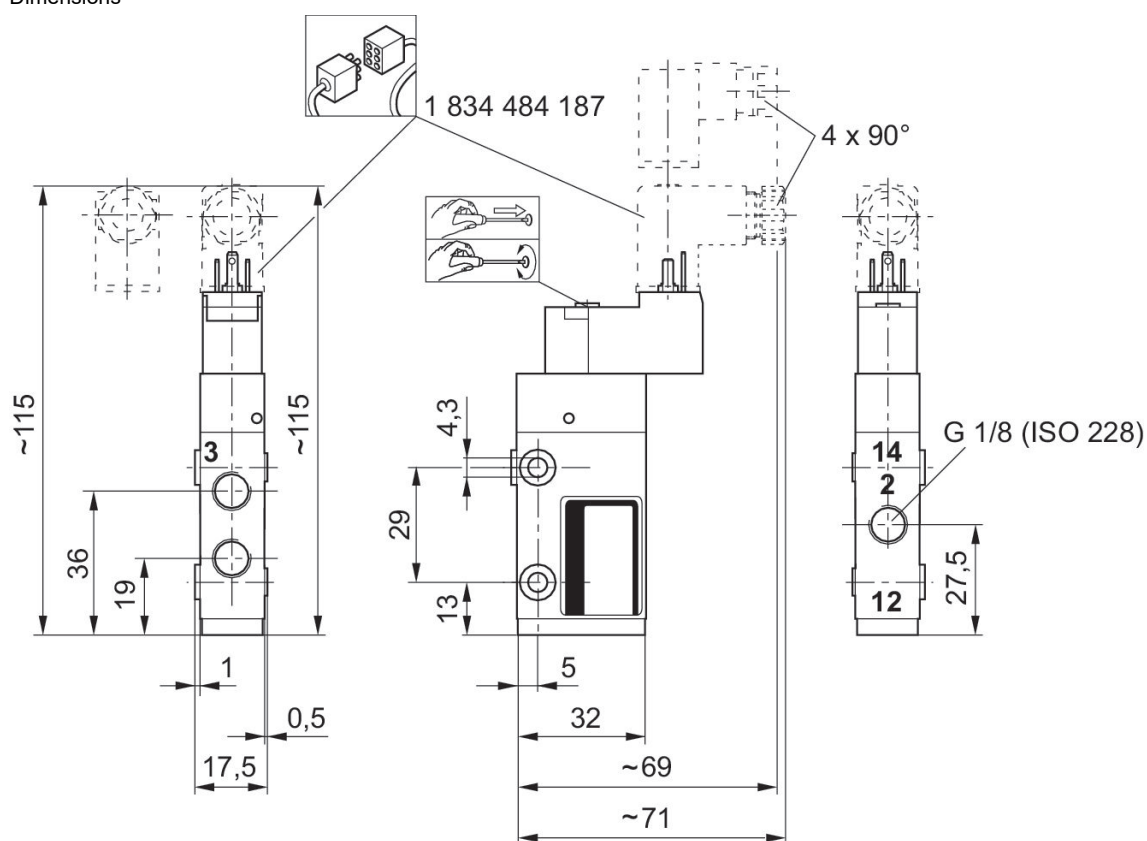


	Valve function	Switching principle	port pneumatic input 1	Compressed air connection output	Compressed air connection, exhaust	Operational voltage	Pilot	Part No.
	NC/NC	3/2, with spring return	G 1/8	G 1/8	G 1/8	24 V AC	Internal	0820031053
	NC/NC	3/2, with spring return	G 1/8	G 1/8	G 1/8	24 V DC	Internal	0820031051
	NC/NC	3/2, with spring return	G 1/8	G 1/8	G 1/8	24 V DC	Internal	0820031052
	NC/NC	3/2, with spring return	G 1/8	G 1/8	G 1/8	110 V AC	Internal	0820031054
	NC/NC	3/2, with spring return	G 1/8	G 1/8	G 1/8	230 V AC	Internal	0820031050
	NC/NC	3/2, with spring return	G 1/8	G 1/8	G 1/8	24 V AC	Internal	0820031063
	NC/NC	3/2, with spring return	G 1/8	G 1/8	G 1/8	24 V DC	Internal	0820031061
	NC/NC	3/2, with spring return	G 1/8	G 1/8	G 1/8	24 V DC	Internal	0820031062
	NC/NC	3/2, with spring return	G 1/8	G 1/8	G 1/8	110 V AC	Internal	0820031064
	NC/NC	3/2, with spring return	G 1/8	G 1/8	G 1/8	230 V AC	Internal	0820031060

Power consumption DC [W]	Voltage tolerance DC	Manual override	Nominal flow Qn 1 to 2 [l/min]	Part No.
		without detent	280	0820031053
2	-10 % / +10 %	without detent	280	0820031051

Power consumption DC [W]	Voltage tolerance DC	Manual override	Nominal flow Qn 1 to 2 [l/min]	Part No.
1	-10 % / +10 %	without detent	280	0820031052
		without detent	280	0820031054
		without detent	280	0820031050
		with detent	280	0820031063
2	-10 % / +10 %	with detent	280	0820031061
1	-10 % / +10 %	with detent	280	0820031062
		with detent	280	0820031064
		with detent	280	0820031060

Dimensions



5/2-directional valve, Series ST

Flow: 280 l/min

Activation: Electrically

Control pressure min./max.: 2 bar ... 10 bar

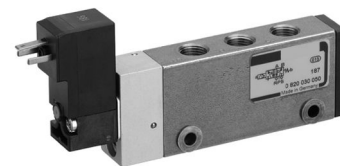
Duty cycle: 100 %

Type: Spool valve

Ambient temperature min./max.: -10 °C ... 50 °C

Medium temperature min./max.: -10 °C ... 50 °C

Working pressure min./max.: 2 bar ... 10 bar

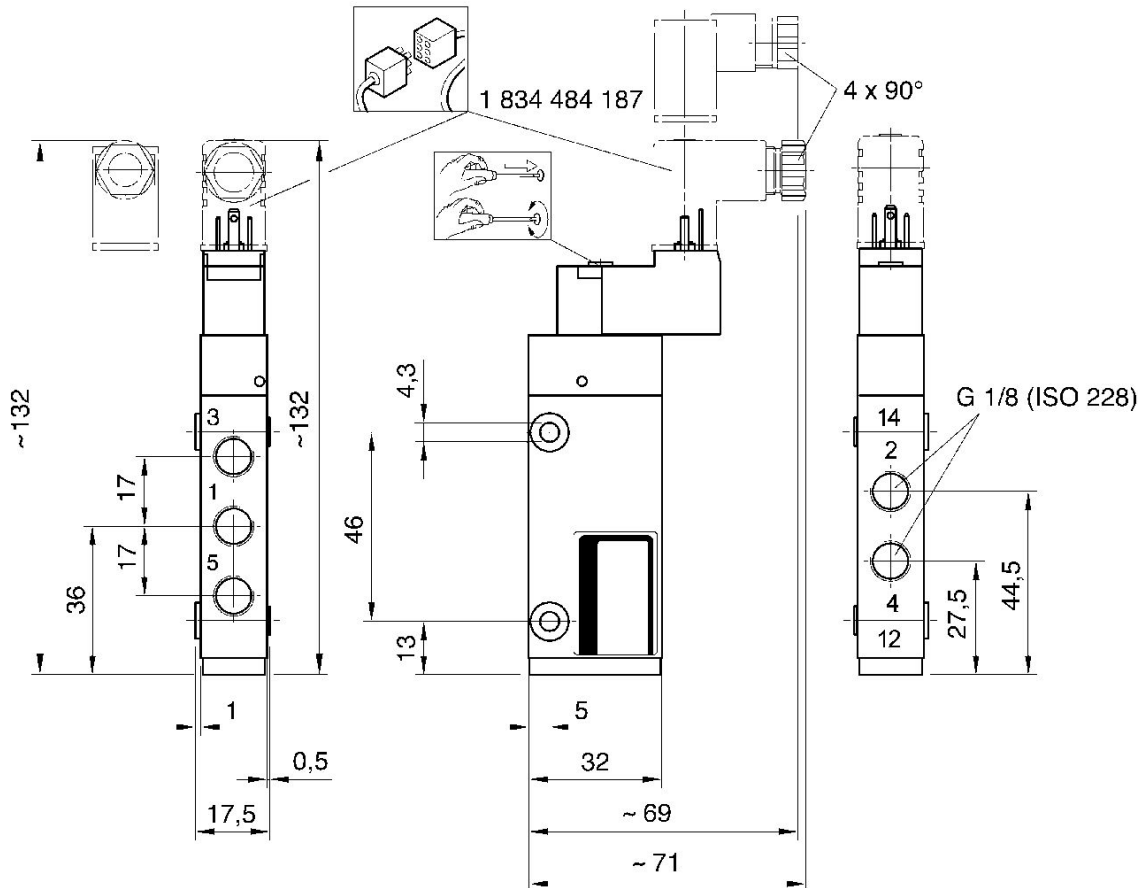


	Switching principle	port pneumatic input 1	Compressed air connection output	Compressed air connection, exhaust	Operational voltage	Pilot	Power consumption DC [W]	Part No.
	5/2, with spring return	G 1/8	G 1/8	G 1/8	24 V AC	Internal		0820030053
	5/2, with spring return	G 1/8	G 1/8	G 1/8	24 V DC	Internal	2	0820030051
	5/2, with spring return	G 1/8	G 1/8	G 1/8	24 V DC	Internal	1	0820030052
	5/2, with spring return	G 1/8	G 1/8	G 1/8	110 V AC	Internal		0820030054
	5/2, with spring return	G 1/8	G 1/8	G 1/8	230 V AC	Internal		0820030050
	5/2, with spring return	G 1/8	G 1/8	G 1/8	24 V AC	Internal		0820030063
	5/2, with spring return	G 1/8	G 1/8	G 1/8	24 V DC	Internal	2	0820030061
	5/2, with spring return	G 1/8	G 1/8	G 1/8	24 V DC	Internal	1	0820030062
	5/2, with spring return	G 1/8	G 1/8	G 1/8	110 V AC	Internal		0820030064
	5/2, with spring return	G 1/8	G 1/8	G 1/8	230 V AC	Internal		0820030060

Voltage tolerance DC	Manual override	Nominal flow Qn 1 to 2 [l/min]	Part No.
	without detent	280	0820030053
-10 % / +10 %	without detent	280	0820030051
-10 % / +10 %	without detent	280	0820030052
	without detent	280	0820030054
	without detent	280	0820030050
	with detent	280	0820030063

Voltage tolerance DC	Manual override	Nominal flow Qn 1 to 2 [l/min]	Part No.
-10 % / +10 %	with detent	280	0820030061
-10 % / +10 %	with detent	280	0820030062
	with detent	280	0820030064
	with detent	280	0820030060

Dimensions



5/2-directional valve, Series ST

Flow: 280 l/min

Activation: Electrically

Control pressure min./max.: 2 bar ... 10 bar

Duty cycle: 100 %

Type: Spool valve

Ambient temperature min./max.: -10 °C ... 50 °C

Medium temperature min./max.: -10 °C ... 50 °C

Working pressure min./max.: 2 bar ... 10 bar

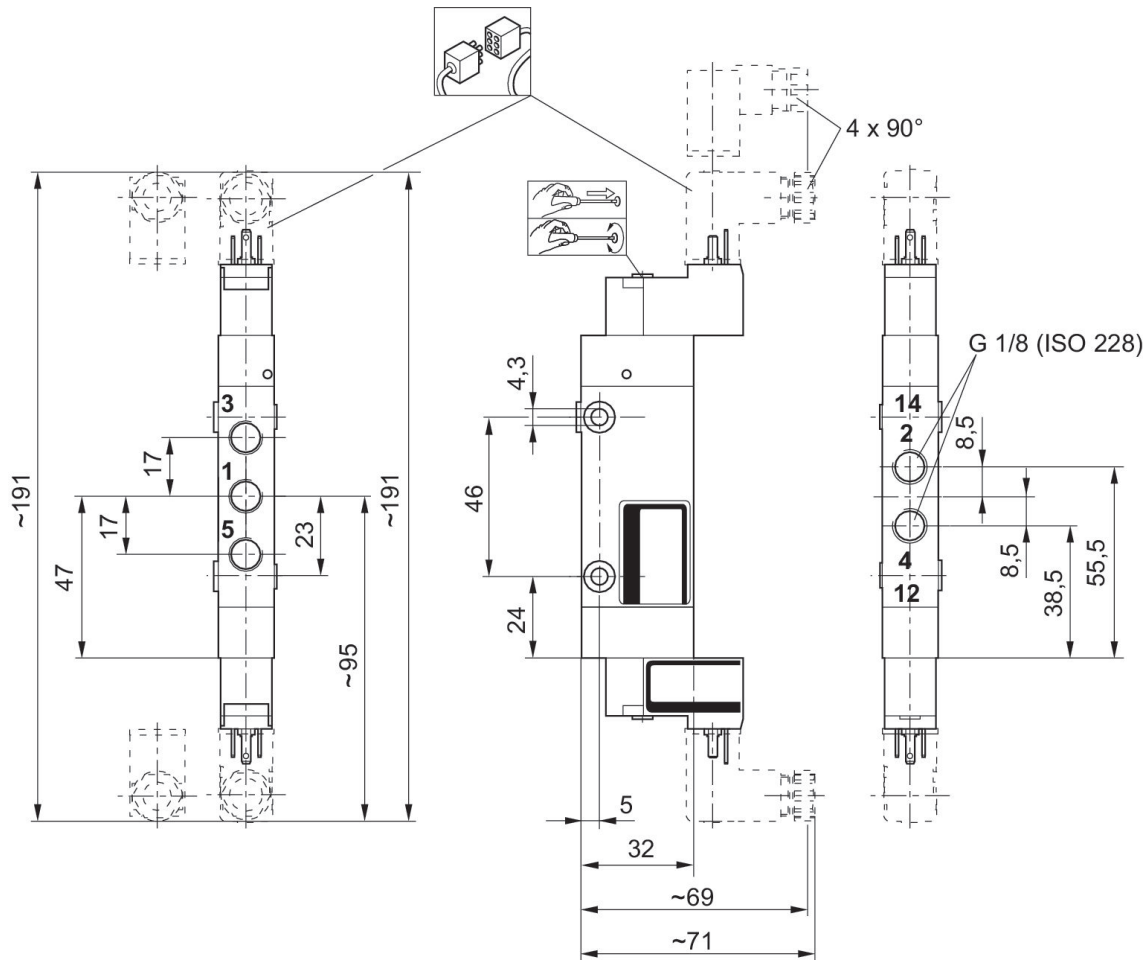


	Switching principle	port pneumatic input 1	Compressed air connection output	Compressed air connection, exhaust	Operational voltage	Pilot	Power consumption DC [W]	Part No.
	5/2, double solenoid	G 1/8	G 1/8	G 1/8	24 V AC	Internal		0820030153
	5/2, double solenoid	G 1/8	G 1/8	G 1/8	24 V DC	Internal	2	0820030151
	5/2, double solenoid	G 1/8	G 1/8	G 1/8	24 V DC	Internal	1	0820030152
	5/2, double solenoid	G 1/8	G 1/8	G 1/8	110 V AC	Internal		0820030154
	5/2, double solenoid	G 1/8	G 1/8	G 1/8	230 V AC	Internal		0820030150
	5/2, double solenoid	G 1/8	G 1/8	G 1/8	24 V AC	Internal		0820030163
	5/2, double solenoid	G 1/8	G 1/8	G 1/8	24 V DC	Internal	2	0820030161
	5/2, double solenoid	G 1/8	G 1/8	G 1/8	24 V DC	Internal	1	0820030162
	5/2, double solenoid	G 1/8	G 1/8	G 1/8	110 V AC	Internal		0820030164
	5/2, double solenoid	G 1/8	G 1/8	G 1/8	230 V AC	Internal		0820030160

Voltage tolerance DC	Manual override	Nominal flow Qn 1 to 2 [l/min]	Part No.
	without detent	280	0820030153
-10 % / +10 %	without detent	280	0820030151
-10 % / +10 %	without detent	280	0820030152
	without detent	280	0820030154
	without detent	280	0820030150
	with detent	280	0820030163

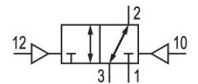
Voltage tolerance DC	Manual override	Nominal flow Qn 1 to 2 [l/min]	Part No.
-10 % / +10 %	with detent	280	0820030161
-10 % / +10 %	with detent	280	0820030162
	with detent	280	0820030164
	with detent	280	0820030160

Dimensions



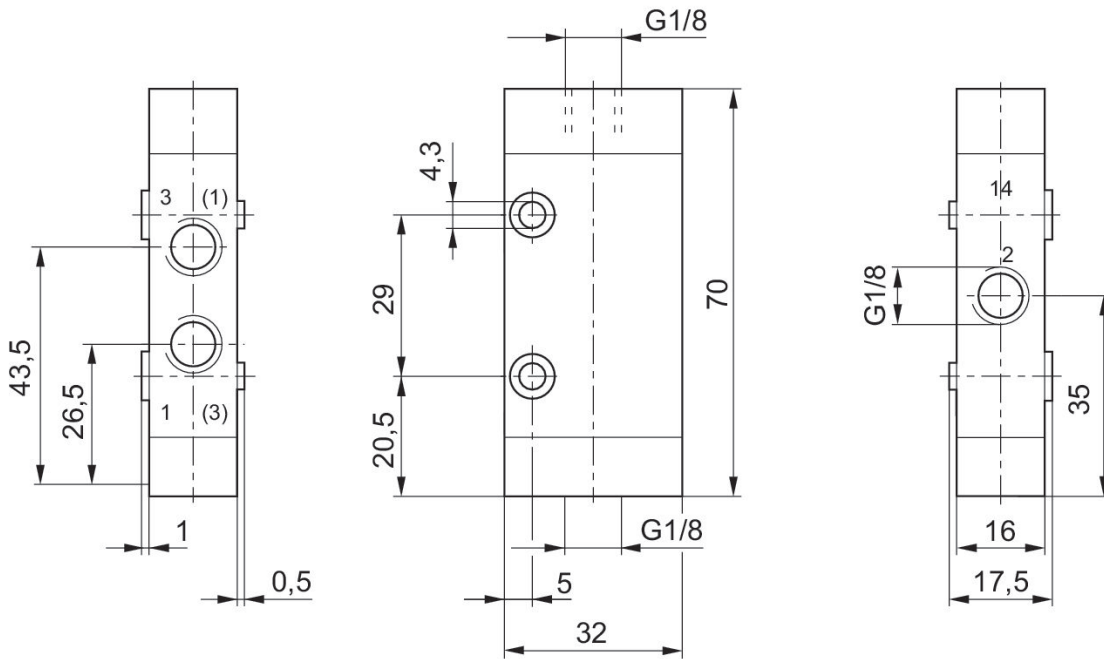
3/2-directional valve, Series ST

Flow: 280 l/min
 Activation: Pneumatically
 Control pressure min./max.: 1.8 bar ... 10 bar
 Type: Spool valve
 Ambient temperature min./max.: -15 °C ... 80 °C
 Medium temperature min./max.: -15 °C ... 80 °C
 Working pressure min./max.: -0.95 bar ... 10 bar



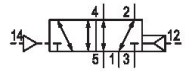
Switching principle	Part No.
3/2, with air spring return	0820213001

Dimensions in mm



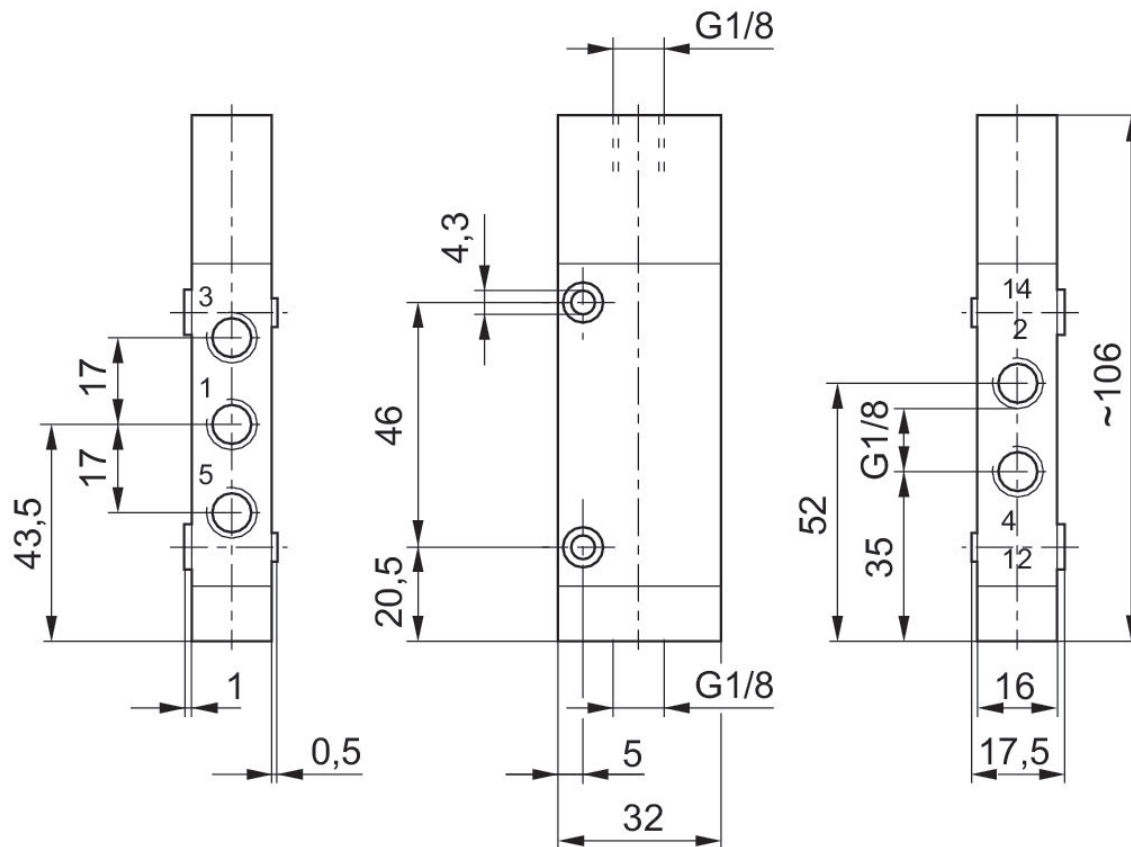
5/2-directional valve, Series ST

Flow: 280 l/min
 Activation: Pneumatically
 Type: Spool valve
 Ambient temperature min./max.: -15 °C ... 80 °C
 Medium temperature min./max.: -15 °C ... 80 °C
 Working pressure min./max.: 10 bar

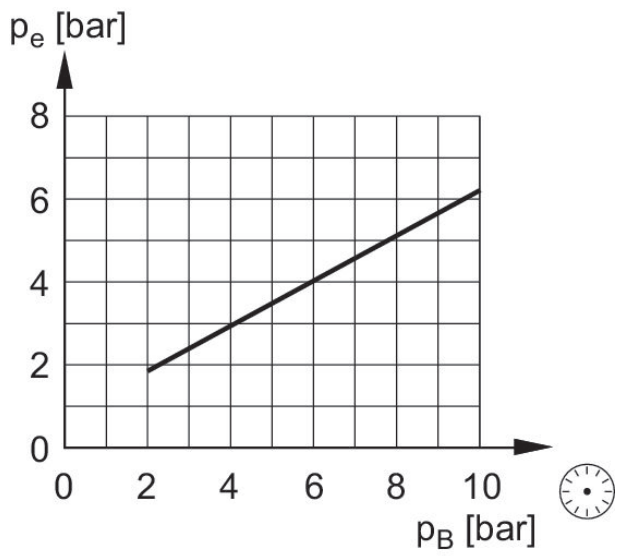


Switching principle	Part No.
5/2, with air spring return	0820204006
5/2, with air spring return	0820205006

Dimensions in mm



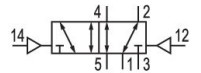
Control pressure



p_e = external control pressure, min.
 p_B = Working pressure

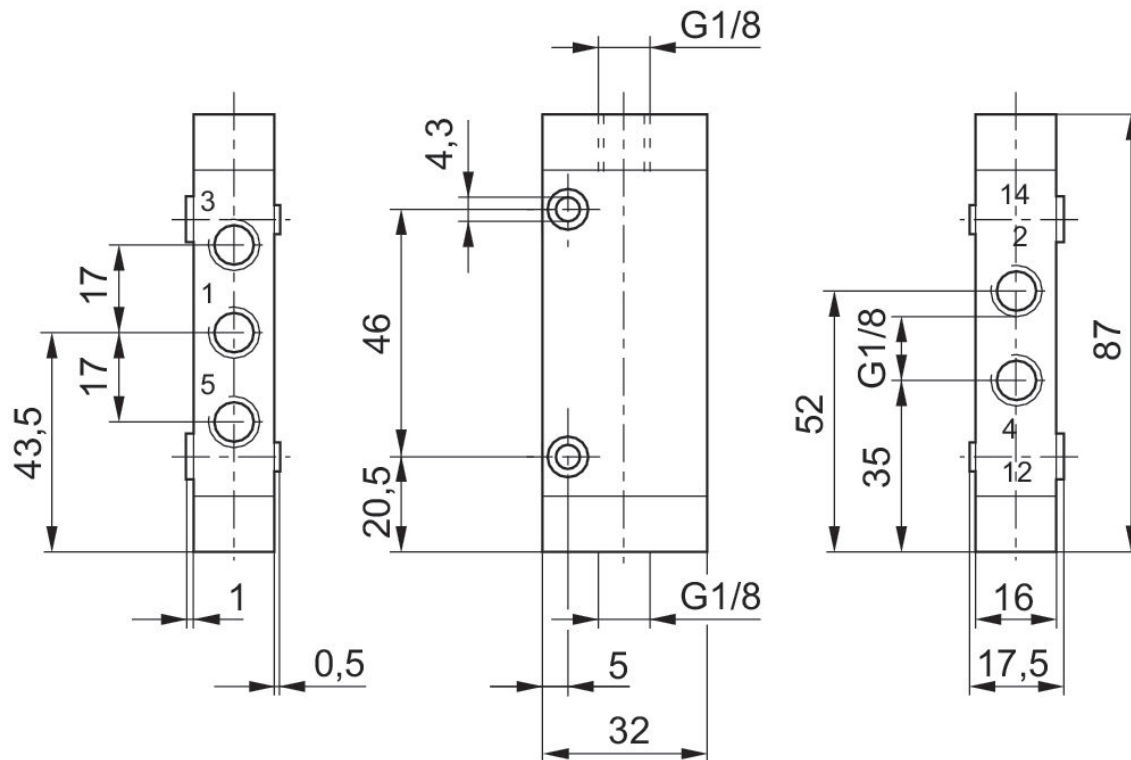
5/2-directional valve, Series ST

Flow: 280 l/min
 Activation: Pneumatically
 Control pressure min./max.: 1.5 bar ... 10 bar
 Type: Spool valve
 Ambient temperature min./max.: -15 °C ... 80 °C
 Medium temperature min./max.: -15 °C ... 80 °C
 Working pressure min./max.: -0.95 bar ... 10 bar

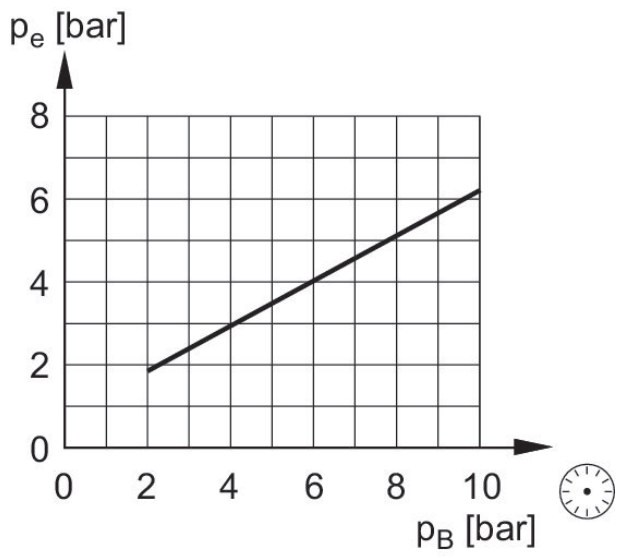


Switching principle	Part No.
5/2, with air spring return	0820205003

Dimensions in mm



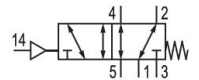
Control pressure



p_e = external control pressure, min.
 p_B = Working pressure

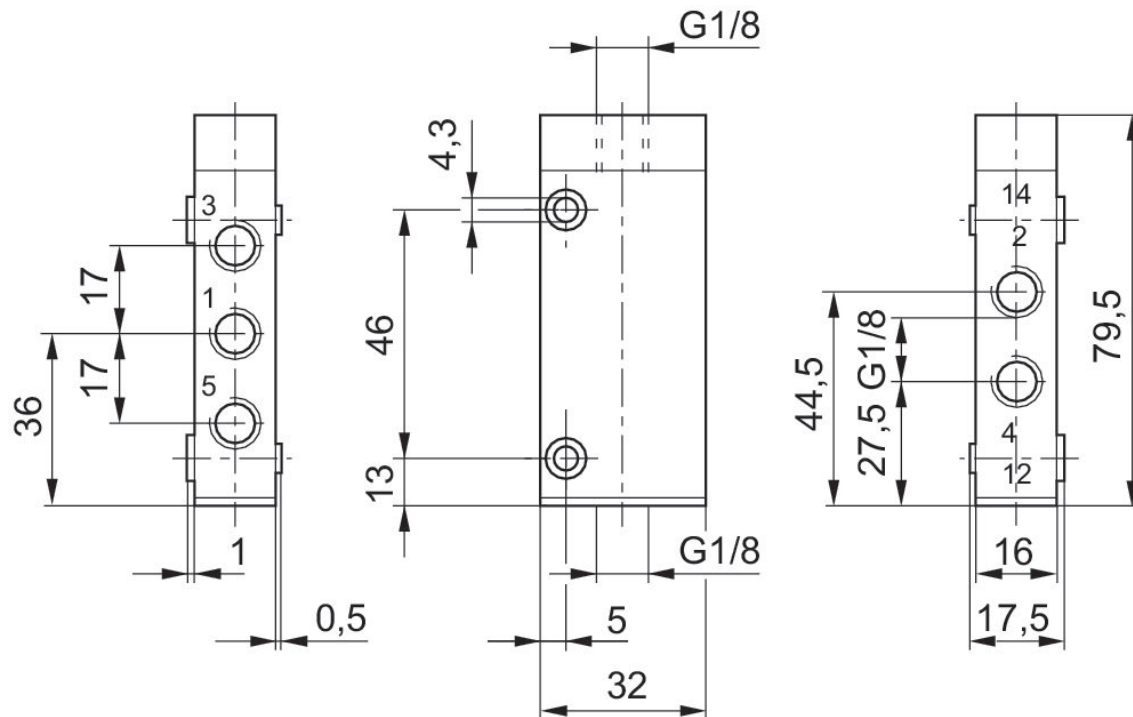
5/2-directional valve, Series ST

Flow: 280 l/min
 Activation: Pneumatically
 Control pressure min./max.: 2 bar ... 10 bar
 Type: Spool valve
 Ambient temperature min./max.: -15 °C ... 80 °C
 Medium temperature min./max.: -15 °C ... 80 °C
 Working pressure min./max.: -0.95 bar ... 10 bar

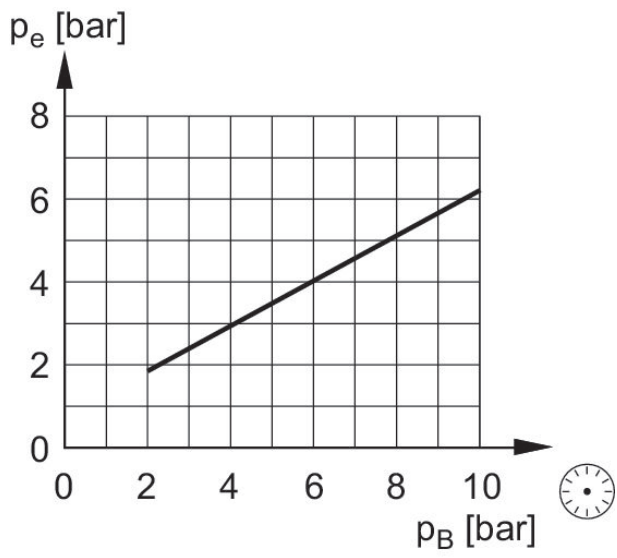


Switching principle	Part No.
5/2, with spring return	0820204003

Dimensions in mm



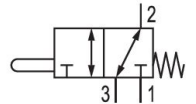
Control pressure



p_e = external control pressure, min.
 p_B = Working pressure

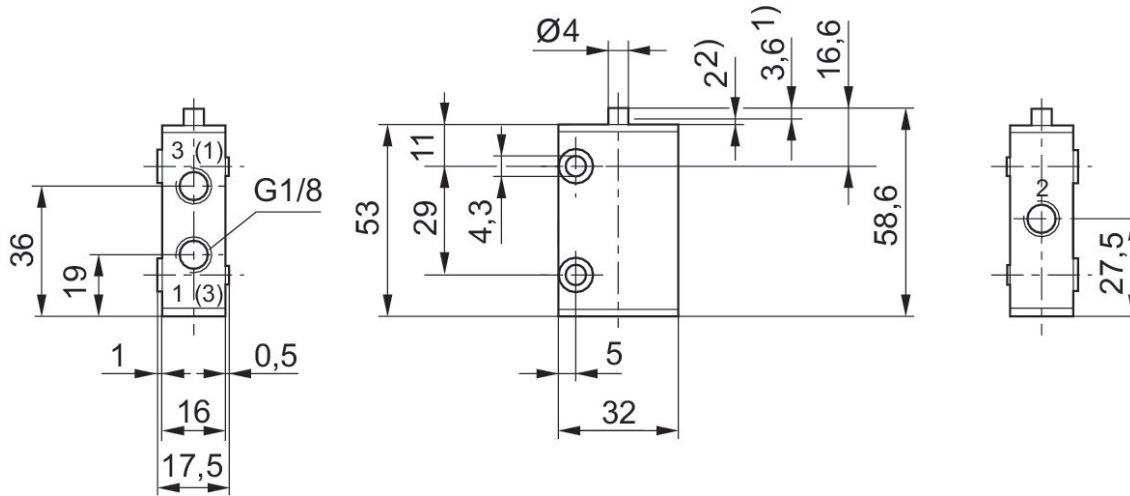
3/2-directional valve, Series ST

: not lockable
 Flow: 280 l/min
 Activation: Mechanical
 Compressed air connection type: Internal thread
 Compressed air connection input: G 1/8
 Compressed air connection output: G 1/8
 Compressed air connection, exhaust: G 1/8
 Ambient temperature min./max.: -15 °C ... 80 °C
 Medium temperature min./max.: -15 °C ... 80 °C
 Working pressure min./max.: -0.95 bar ... 10 bar



Actuating element	Housing material	Surface housing	Switching principle	Compressed air connection output	Part No.
Plunger	Stainless Steel	hardened	3/2, with spring return	G 1/8	0820402001

Dimensions in mm
 Basic valve



1) Actuating stroke
 2) Overstroke
 Connection via 2 through-holes in housing.
 Dimensions of basic valve apply to all types of actuation.

3/2-directional valve, Series ST

: not lockable

Flow: 280 l/min

Activation: Mechanical

Compressed air connection type: Internal thread

Compressed air connection input: G 1/8

Compressed air connection output: G 1/8

Compressed air connection, exhaust: G 1/8

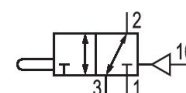
Min. control pressure: 2 bar

Max. control pressure: 10 bar

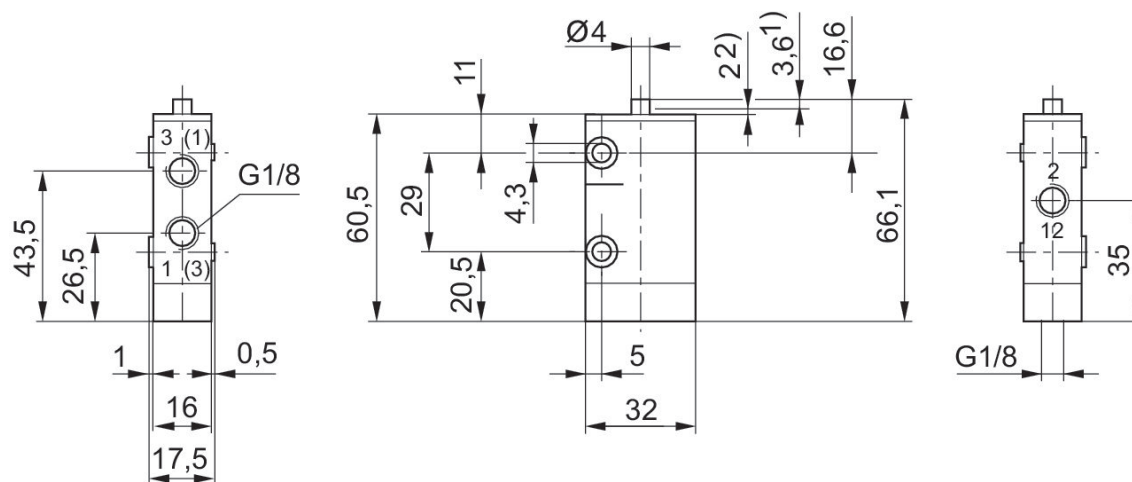
Ambient temperature min./max.: -15 °C ... 80 °C

Medium temperature min./max.: -15 °C ... 80 °C

Working pressure min./max.: -0.95 bar ... 10 bar



Actuating element	Housing material	Surface housing	Surface front cover	Switching principle	Compressed air connection output	Part No.
Plunger	Stainless Steel	hardened	galvanized	3/2, with pneumatic return	G 1/8	0820402008

Dimensions in mm
Basic valve

1) Actuating stroke

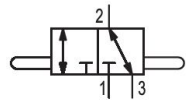
2) Overstroke

Connection via 2 through-holes in housing.

Dimensions of basic valve apply to all types of actuation.

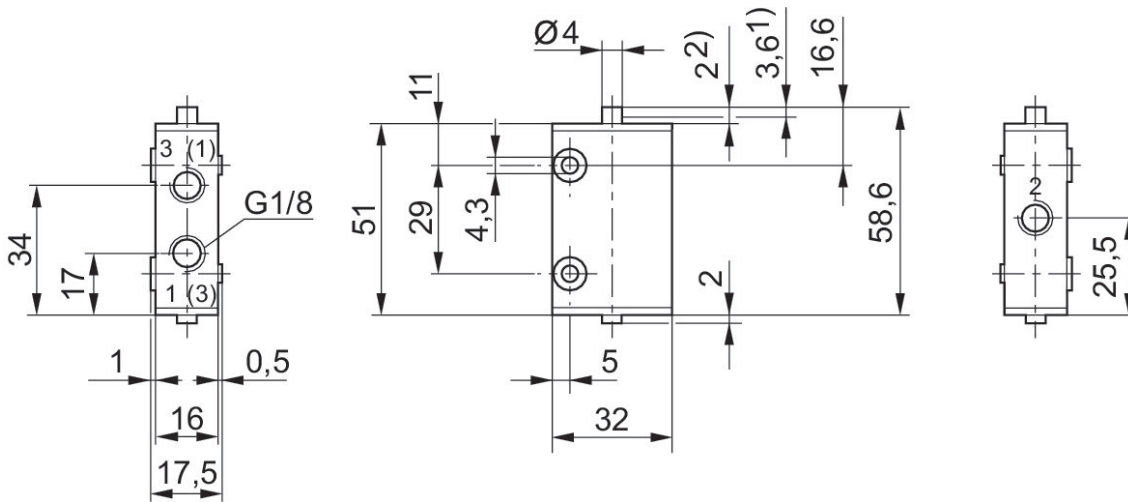
3/2-directional valve, Series ST

: not lockable
 Flow: 280 l/min
 Activation: Mechanical
 Compressed air connection type: Internal thread
 Compressed air connection input: G 1/8
 Compressed air connection output: G 1/8
 Compressed air connection, exhaust: G 1/8
 Ambient temperature min./max.: -15 °C ... 80 °C
 Medium temperature min./max.: -15 °C ... 80 °C
 Working pressure min./max.: -0.95 bar ... 10 bar



Actuating element	Housing material	Surface housing	Surface front cover	Switching principle	Compressed air connection output	Part No.
Plunger	Stainless Steel	hardened	galvanized	3/2, double air pilot	G 1/8	0820402019

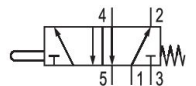
Dimensions in mm
 Basic valve



- 1) Actuating stroke
- 2) Overstroke

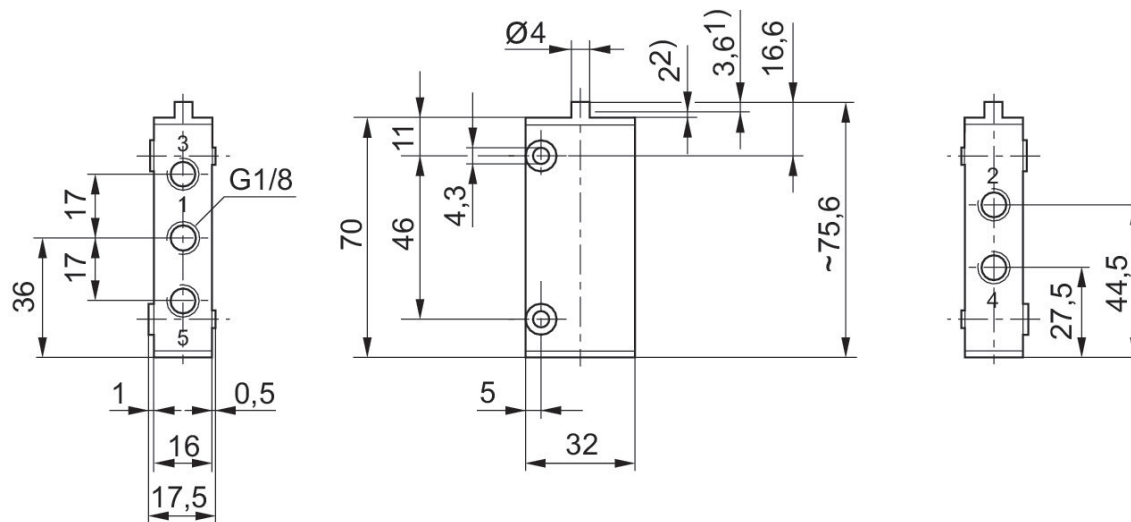
5/2-directional valve, Series ST

: not lockable
 Flow: 280 l/min
 Activation: Mechanical
 Compressed air connection type: Internal thread
 Compressed air connection input: G 1/8
 Compressed air connection output: G 1/8
 Compressed air connection, exhaust: G 1/8
 Ambient temperature min./max.: -15 °C ... 80 °C
 Medium temperature min./max.: -15 °C ... 80 °C
 Working pressure min./max.: -0.95 bar ... 10 bar



Actuating element	Housing material	Surface housing	Switching principle	Compressed air connection output	Part No.
Plunger	Stainless Steel	hardened	5/2, with spring return	G 1/8	0820403001

Dimensions in mm
 Basic valve



1) Actuating stroke
 2) Overstroke
 Mounting via 2 through-holes in housing
 Dimensions of basic valve apply to all types of actuation.

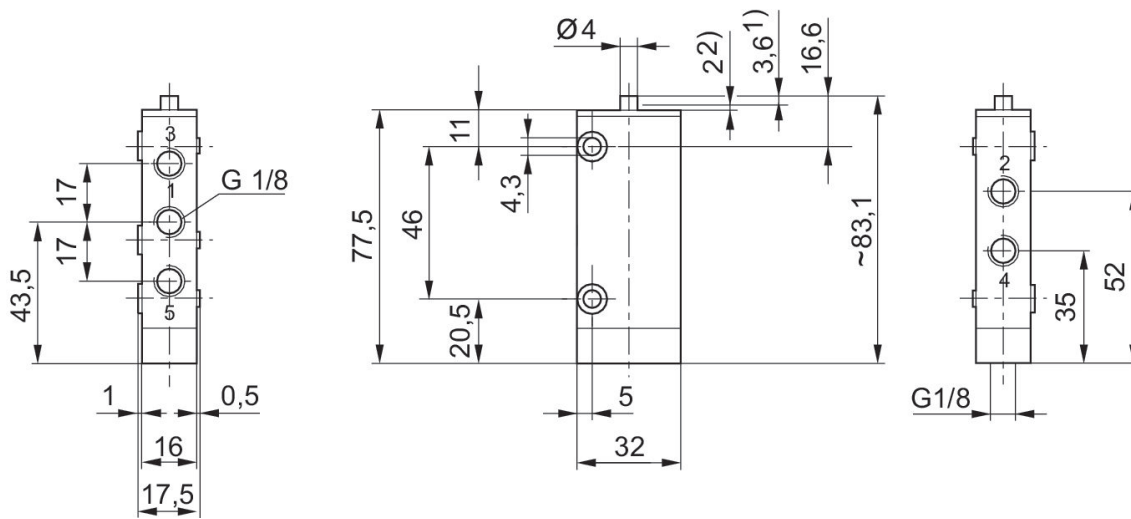
5/2-directional valve, Series ST

: not lockable
 Flow: 280 l/min
 Activation: Mechanical
 Compressed air connection type: Internal thread
 Compressed air connection input: G 1/8
 Compressed air connection output: G 1/8
 Compressed air connection, exhaust: G 1/8
 Min. control pressure: 2 bar
 Max. control pressure: 10 bar
 Ambient temperature min./max.: -15 °C ... 80 °C
 Medium temperature min./max.: -15 °C ... 80 °C
 Working pressure min./max.: -0.95 bar ... 10 bar



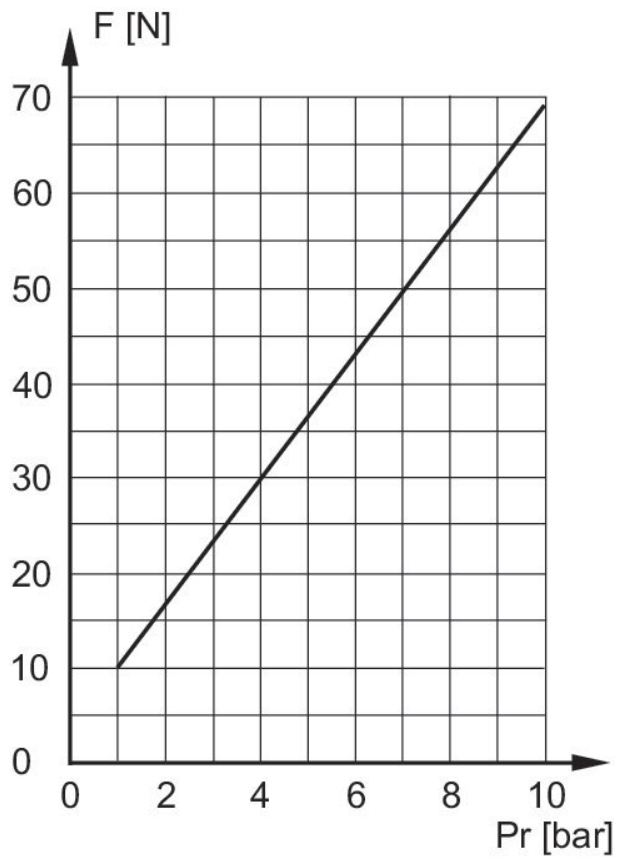
Actuating element	Housing material	Surface housing	Surface front cover	Switching principle	Compressed air connection output	Part No.
Plunger	Stainless Steel	hardened	galvanized	5/2, with air spring return	G 1/8	0820403008

Dimensions in mm
 Basic valve



1) Actuating stroke
 2) Overstroke
 Mounting via 2 through-holes in housing nozzle and tubing, not included in scope of delivery
 Dimensions of basic valve apply to all types of actuation.

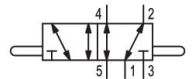
Actuating force+



F = actuating force
Pr = return pressure

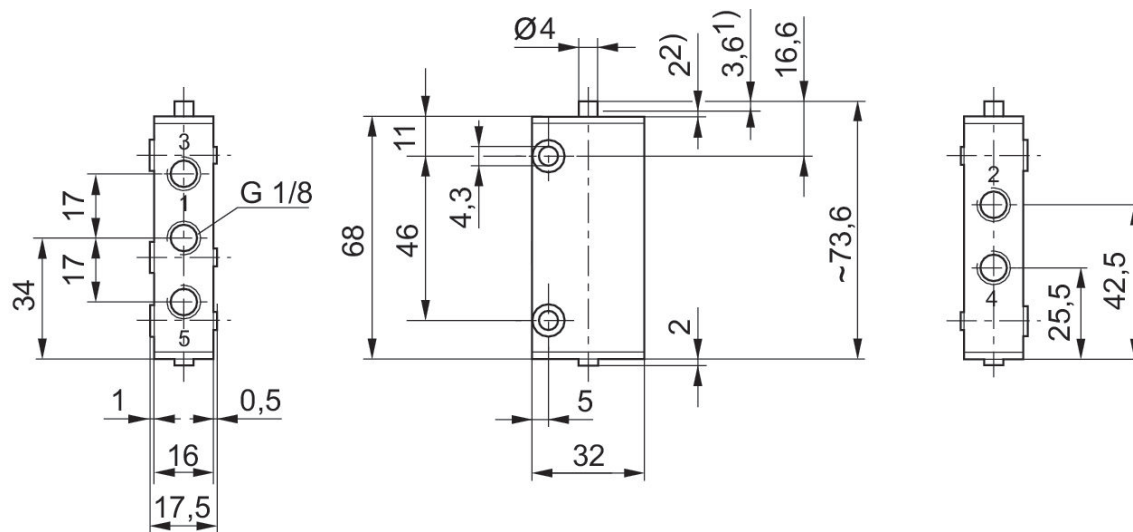
5/2-directional valve, Series ST

: not lockable
 Flow: 280 l/min
 Activation: Mechanical
 Compressed air connection type: Internal thread
 Compressed air connection input: G 1/8
 Compressed air connection output: G 1/8
 Compressed air connection, exhaust: G 1/8
 Ambient temperature min./max.: -15 °C ... 80 °C
 Medium temperature min./max.: -15 °C ... 80 °C
 Working pressure min./max.: -0.95 bar ... 10 bar



Actuating element	Housing material	Surface housing	Surface front cover	Switching principle	Compressed air connection output	Part No.
Plunger	Stainless Steel	hardened	galvanized	5/2, double air pilot	G 1/8	0820403019

Dimensions in mm
 Basic valve



1) Actuating stroke
 2) Overstroke
 Connection via 2 through-holes in housing.
 If the plunger is displaced all the way to the housing cover, the actuating stroke changes from 3.6 to 5.6 mm.

3/2-directional valve, Series ST

: not lockable

Flow: 280 l/min

Activation: Mechanical

Compressed air connection type: Internal thread

Compressed air connection input: G 1/8

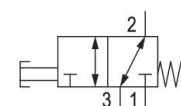
Compressed air connection output: G 1/8

Compressed air connection, exhaust: G 1/8

Ambient temperature min./max.: -15 °C ... 80 °C

Medium temperature min./max.: -15 °C ... 80 °C

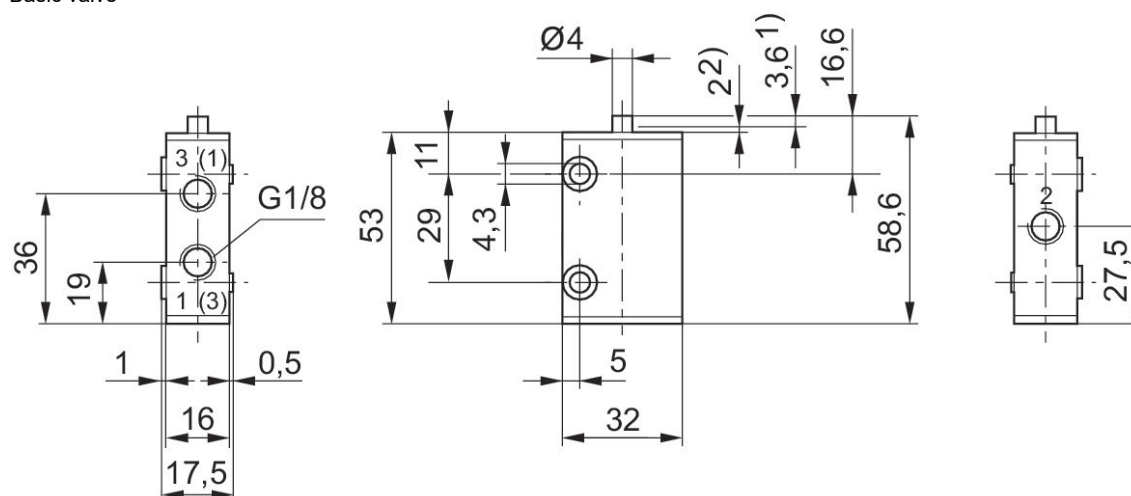
Working pressure min./max.: -0.95 bar ... 10 bar



Actuating element	Housing material	Surface housing	Switching principle	Compressed air connection output	Part No.
Push button	Stainless Steel	hardened	3/2, with spring return	G 1/8	0820402004

Dimensions in mm

Basic valve



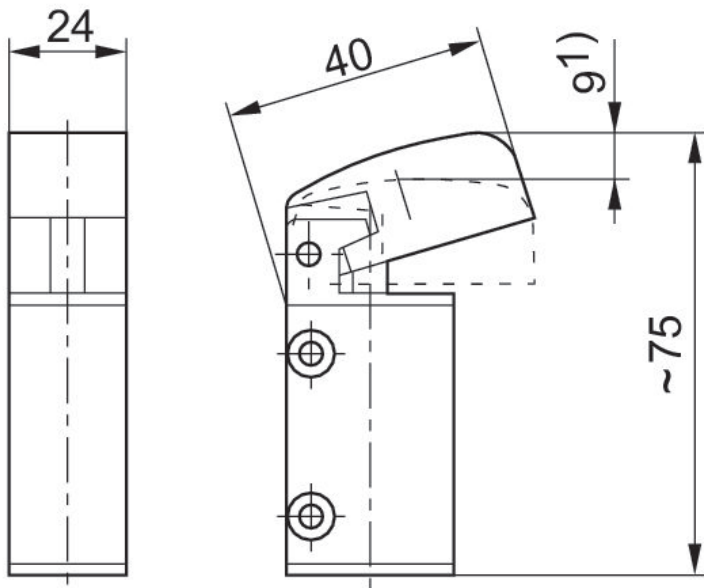
1) Actuating stroke

2) Overstroke

Connection via 2 through-holes in housing.

Dimensions of basic valve apply to all types of actuation.

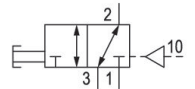
Dimensions in mm



1) Actuating stroke
Connection via 2 through-holes in housing.
Nozzle and tubing, not included in scope of delivery.

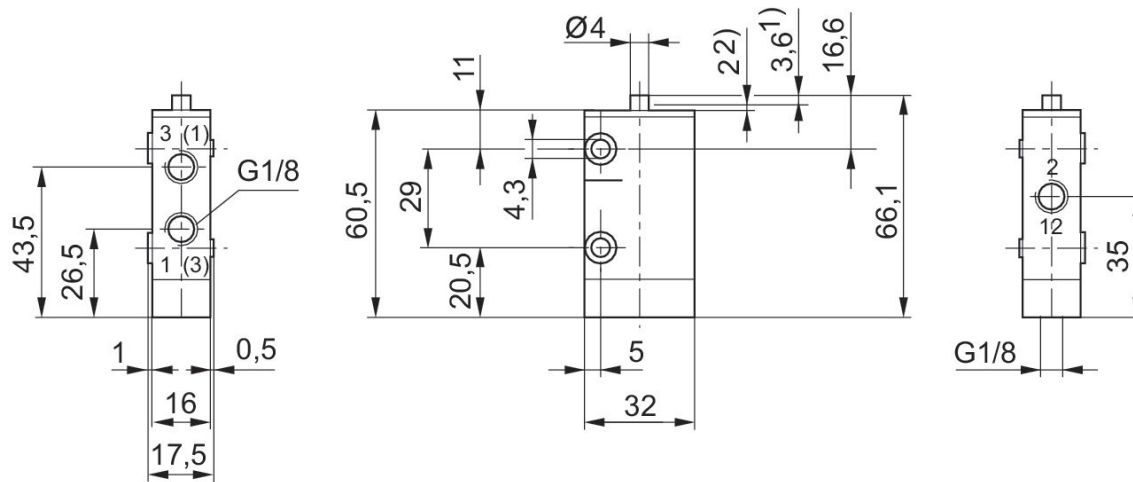
3/2-directional valve, Series ST

: not lockable
 Flow: 280 l/min
 Activation: Mechanical
 Compressed air connection type: Internal thread
 Compressed air connection input: G 1/8
 Compressed air connection output: G 1/8
 Compressed air connection, exhaust: G 1/8
 Min. control pressure: 2 bar
 Max. control pressure: 10 bar
 Ambient temperature min./max.: -15 °C ... 80 °C
 Medium temperature min./max.: -15 °C ... 80 °C
 Working pressure min./max.: -0.95 bar ... 10 bar



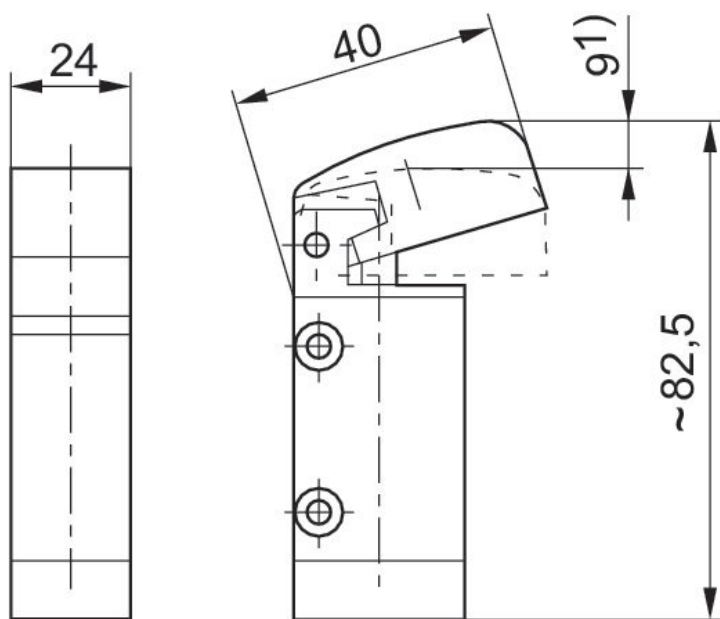
Actuating element	Housing material	Surface housing	Switching principle	Compressed air connection output	Part No.
Push button	Stainless Steel	hardened	3/2, with pneumatic return	G 1/8	0820402011

Dimensions in mm
 Basic valve



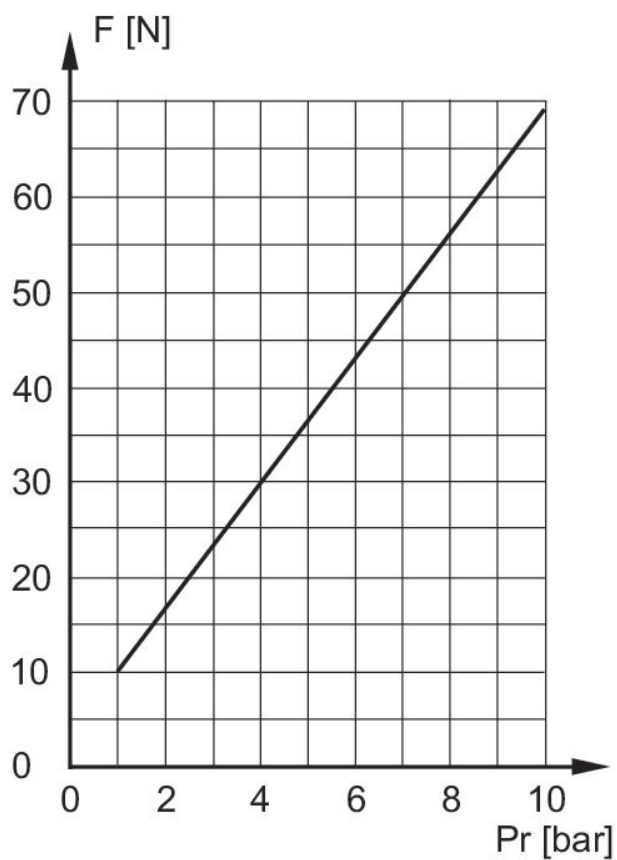
1) Actuating stroke
 2) Overstroke
 Connection via 2 through-holes in housing.
 Dimensions of basic valve apply to all types of actuation.

Dimensions in mm



1) Actuating stroke
Mounting via 2 through-holes in housing

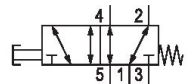
Actuating force+



F = actuating force
Pr = return pressure

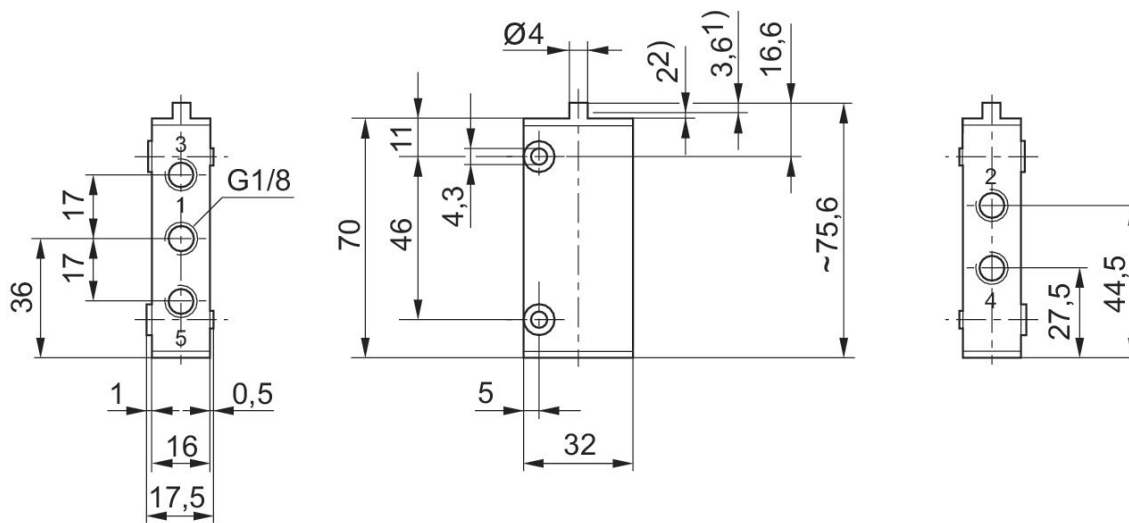
5/2-directional valve, Series ST

: not lockable
 Flow: 280 l/min
 Activation: Mechanical
 Compressed air connection type: Internal thread
 Compressed air connection input: G 1/8
 Compressed air connection output: G 1/8
 Compressed air connection, exhaust: G 1/8
 Ambient temperature min./max.: -15 °C ... 80 °C
 Medium temperature min./max.: -15 °C ... 80 °C
 Working pressure min./max.: -0.95 bar ... 10 bar



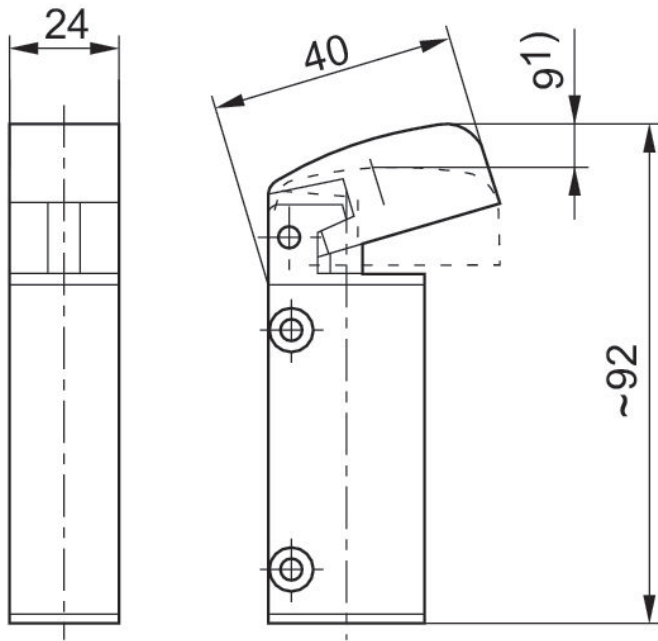
Actuating element	Housing material	Surface housing	Switching principle	Compressed air connection output	Part No.
Push button	Stainless Steel	hardened	5/2, with spring return	G 1/8	0820403004

Dimensions in mm
 Basic valve



1) Actuating stroke
 2) Overstroke
 Mounting via 2 through-holes in housing
 Dimensions of basic valve apply to all types of actuation.

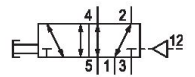
Dimensions in mm



1) Actuating stroke
Mounting via 2 through-holes in housing

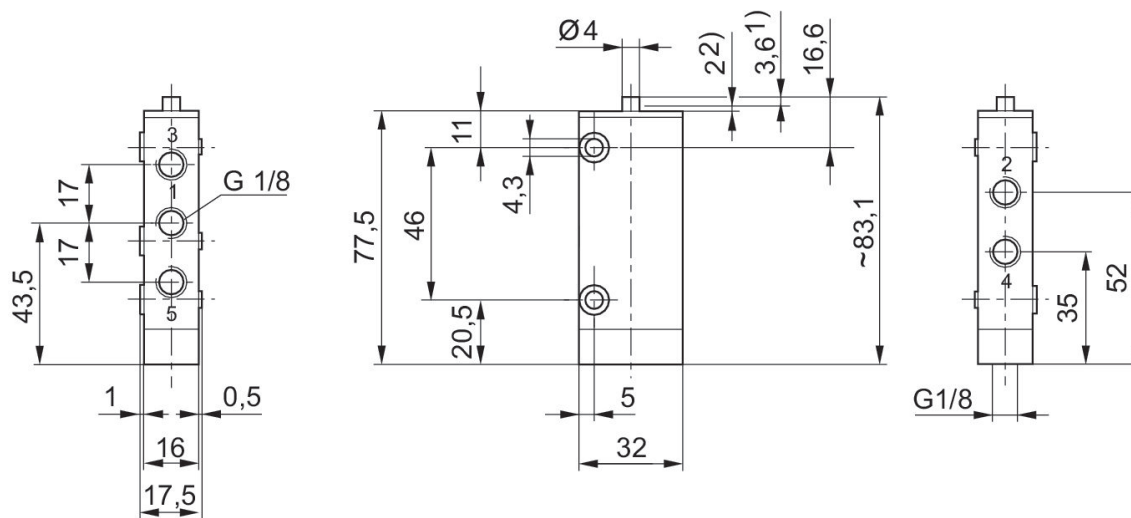
5/2-directional valve, Series ST

: not lockable
 Flow: 280 l/min
 Activation: Mechanical
 Compressed air connection type: Internal thread
 Compressed air connection input: G 1/8
 Compressed air connection output: G 1/8
 Compressed air connection, exhaust: G 1/8
 Min. control pressure: 2 bar
 Max. control pressure: 10 bar
 Ambient temperature min./max.: -15 °C ... 80 °C
 Medium temperature min./max.: -15 °C ... 80 °C
 Working pressure min./max.: -0.95 bar ... 10 bar



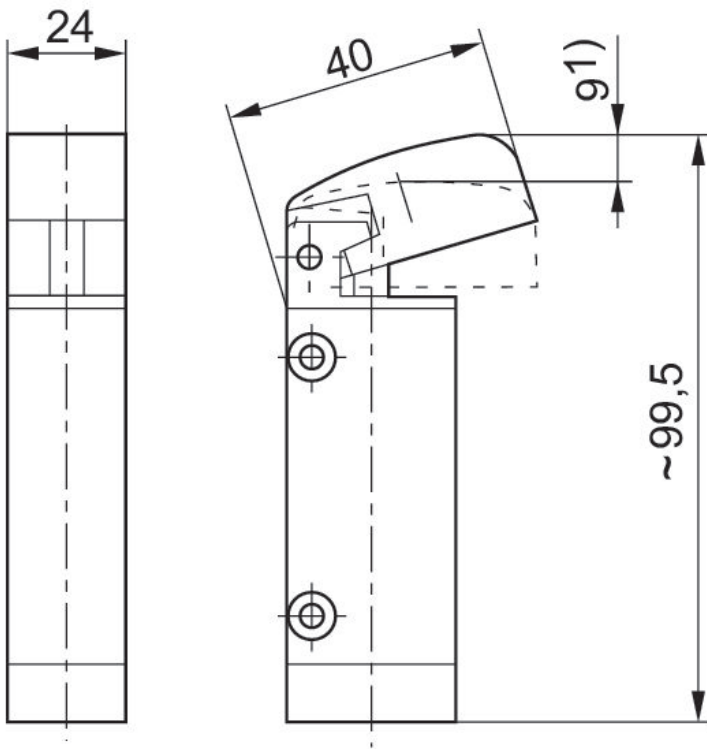
Actuating element	Housing material	Surface housing	Switching principle	Compressed air connection output	Part No.
Push button	Stainless Steel	hardened	5/2, with air spring return	G 1/8	0820403011

Dimensions in mm
 Basic valve



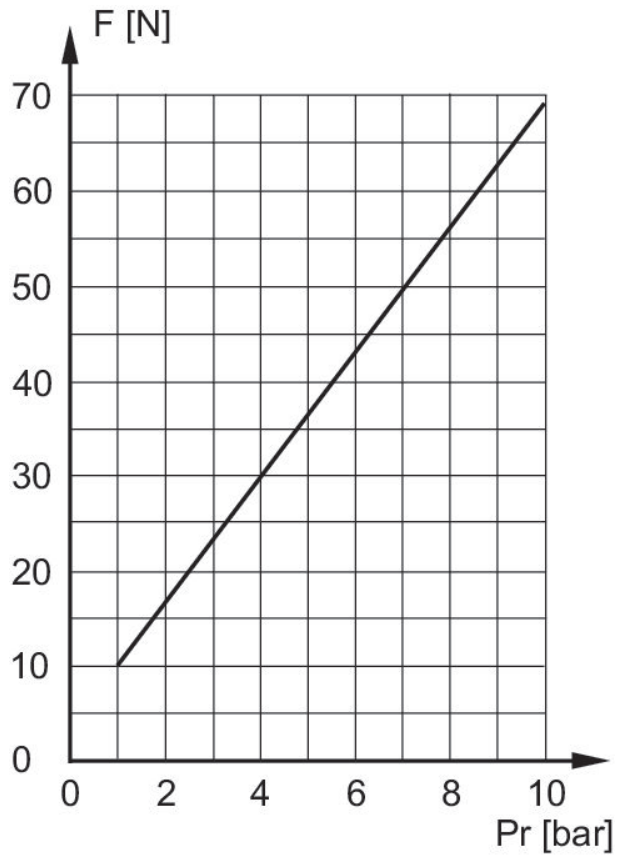
1) Actuating stroke
 2) Overstroke
 Mounting via 2 through-holes in housing nozzle and tubing, not included in scope of delivery
 Dimensions of basic valve apply to all types of actuation.

Dimensions in mm



1) Actuating stroke
Mounting via 2 through-holes in housing

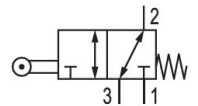
Actuating force+



F = actuating force
Pr = return pressure

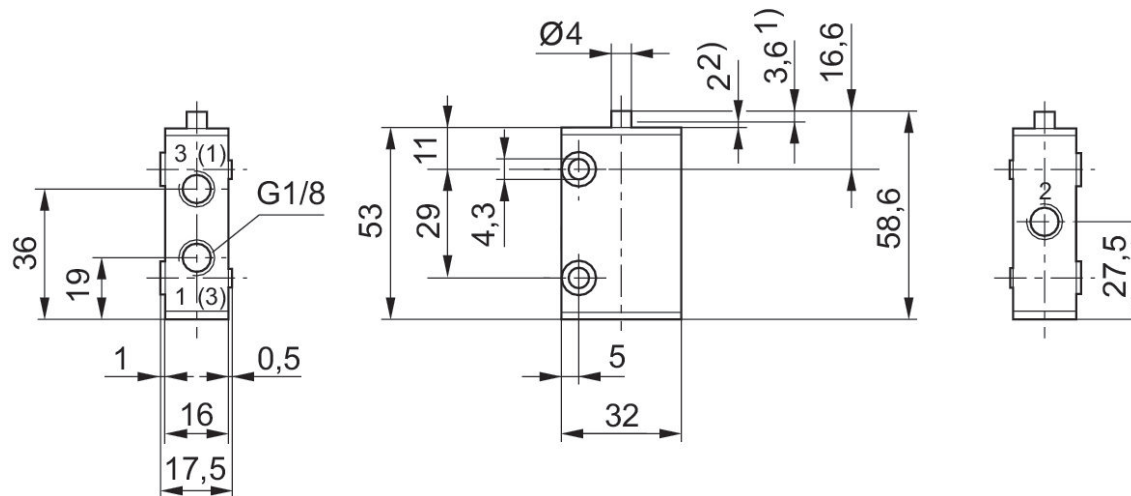
3/2-directional valve, Series ST

: not lockable
 Flow: 280 l/min
 Activation: Mechanical
 Compressed air connection type: Internal thread
 Compressed air connection input: G 1/8
 Compressed air connection output: G 1/8
 Compressed air connection, exhaust: G 1/8
 Ambient temperature min./max.: -15 °C ... 80 °C
 Medium temperature min./max.: -15 °C ... 80 °C
 Working pressure min./max.: -0.95 bar ... 10 bar



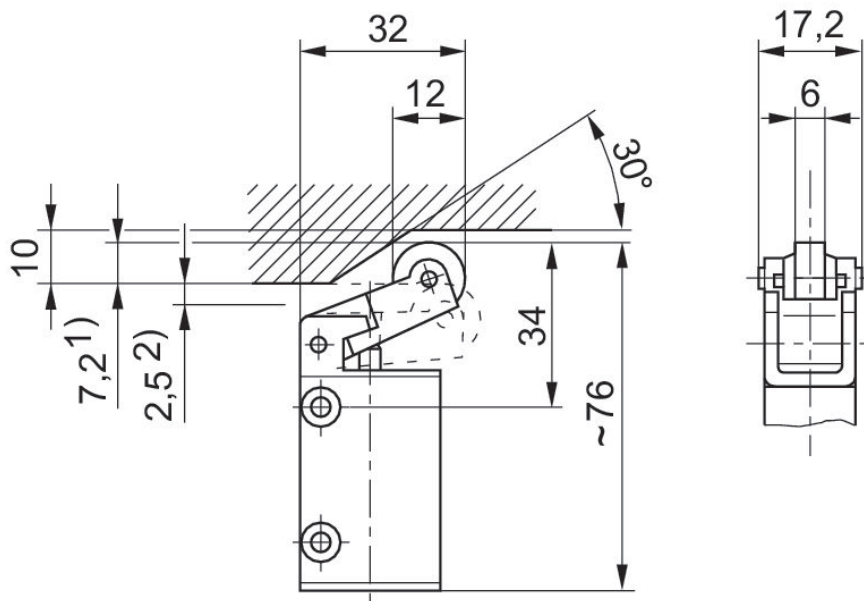
Actuating element	Housing material	Surface housing	Switching principle	Compressed air connection output	Part No.
Roller	Stainless Steel	hardened	3/2, with spring return	G 1/8	0820402002

Dimensions in mm
 Basic valve



1) Actuating stroke
 2) Overstroke
 Connection via 2 through-holes in housing.
 Dimensions of basic valve apply to all types of actuation.

Dimensions in mm



1) Actuating stroke

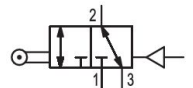
2) Overstroke

Connection via 2 through-holes in housing.

Nozzle and tubing, not included in scope of delivery.

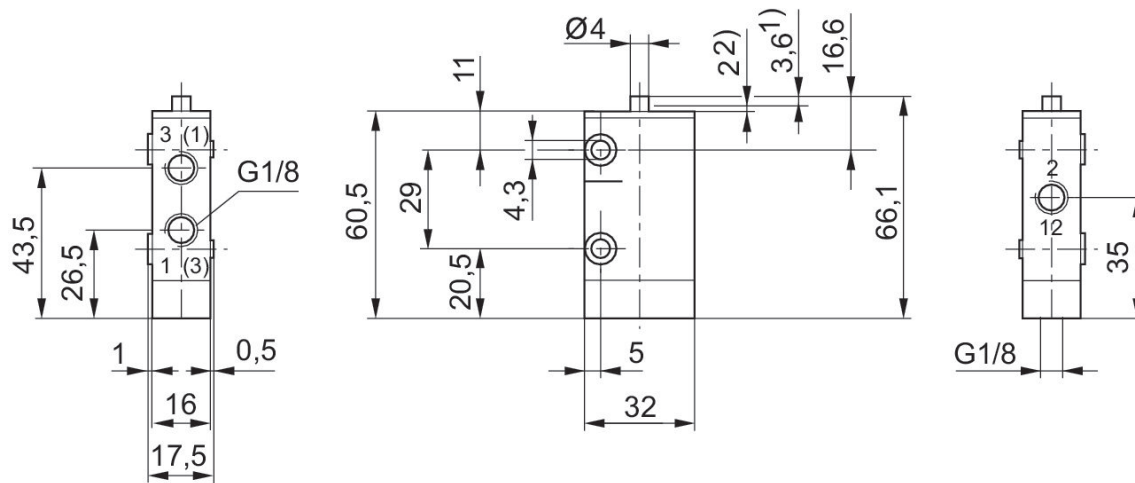
3/2-directional valve, Series ST

: not lockable
 Flow: 280 l/min
 Activation: Mechanical
 Compressed air connection type: Internal thread
 Compressed air connection input: G 1/8
 Compressed air connection output: G 1/8
 Compressed air connection, exhaust: G 1/8
 Min. control pressure: 2 bar
 Max. control pressure: 10 bar
 Ambient temperature min./max.: -15 °C ... 80 °C
 Medium temperature min./max.: -15 °C ... 80 °C
 Working pressure min./max.: -0.95 bar ... 10 bar



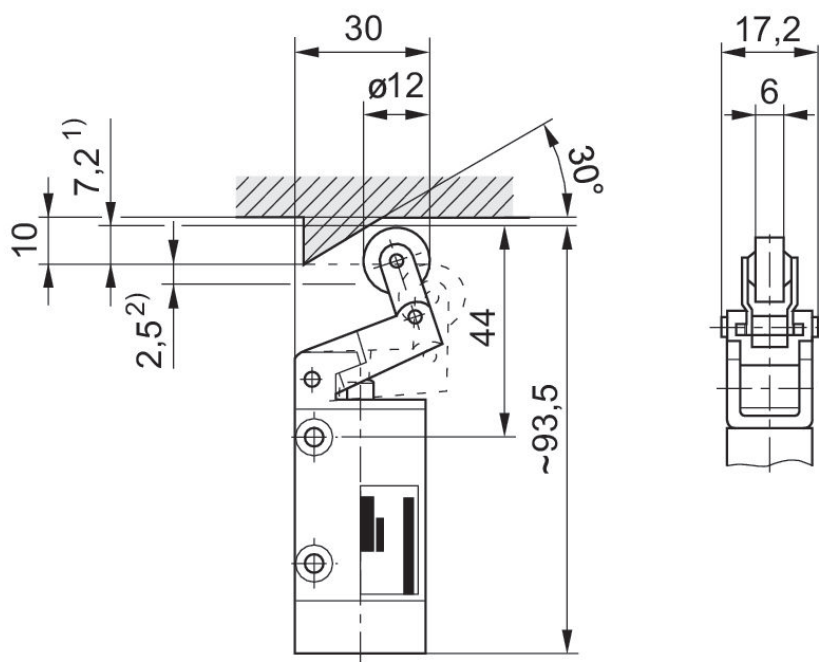
Actuating element	Housing material	Surface housing	Switching principle	Compressed air connection output	Part No.
Roller	Stainless Steel	hardened	3/2, with pneumatic return	G 1/8	0820402009

Dimensions in mm
 Basic valve



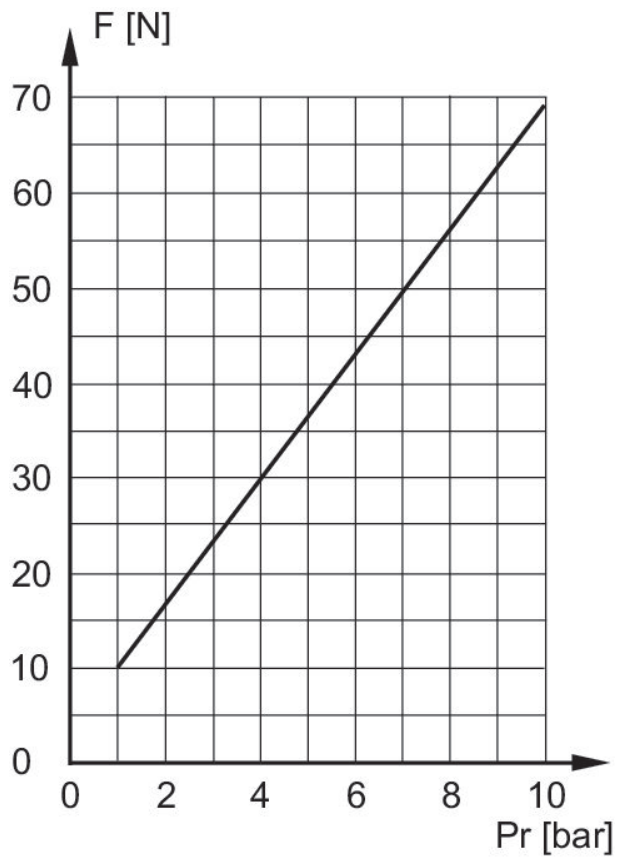
1) Actuating stroke
 2) Overstroke
 Connection via 2 through-holes in housing.
 Dimensions of basic valve apply to all types of actuation.

Dimensions in mm



- 1) Actuating stroke
- 2) Overstroke
- Cconnection via 2 through-holes in housing.

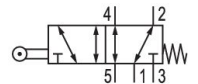
Actuating force+



F = actuating force
Pr = return pressure

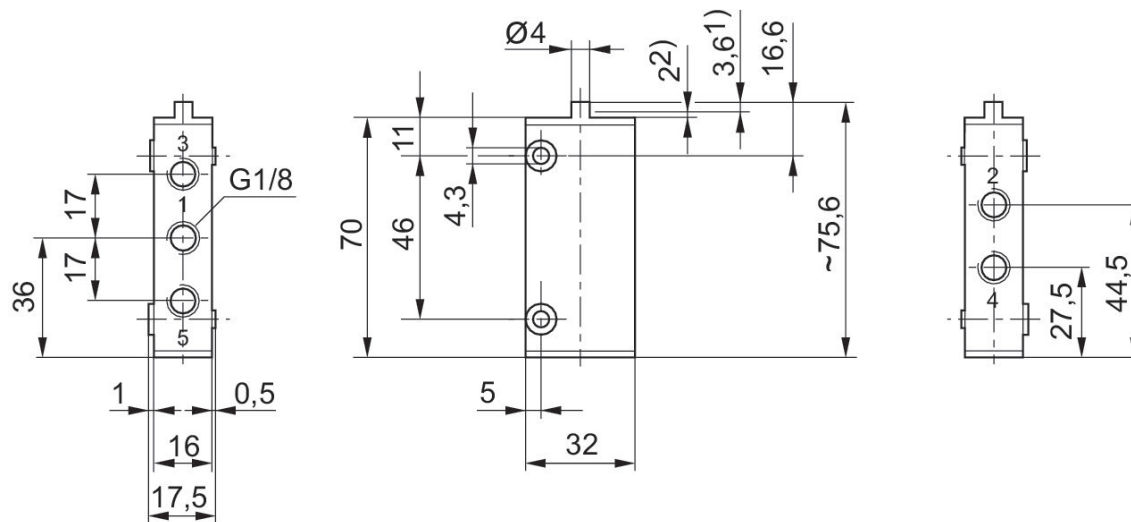
5/2-directional valve, Series ST

: not lockable
 Flow: 280 l/min
 Activation: Mechanical
 Compressed air connection type: Internal thread
 Compressed air connection input: G 1/8
 Compressed air connection output: G 1/8
 Compressed air connection, exhaust: G 1/8
 Ambient temperature min./max.: -15 °C ... 80 °C
 Medium temperature min./max.: -15 °C ... 80 °C
 Working pressure min./max.: -0.95 bar ... 10 bar



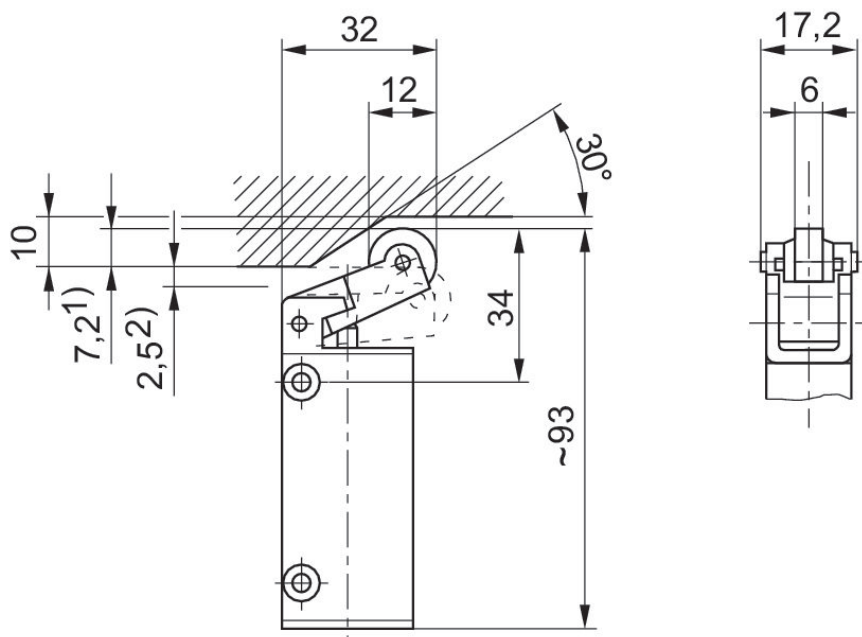
Actuating element	Housing material	Surface housing	Switching principle	Compressed air connection output	Part No.
Roller	Stainless Steel	hardened	5/2, with spring return	G 1/8	0820403002

Dimensions in mm
 Basic valve



1) Actuating stroke
 2) Overstroke
 Mounting via 2 through-holes in housing
 Dimensions of basic valve apply to all types of actuation.

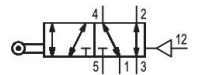
Dimensions in mm



- 1) Actuating stroke
 - 2) Overstroke
- Mounting via 2 through-holes in housing

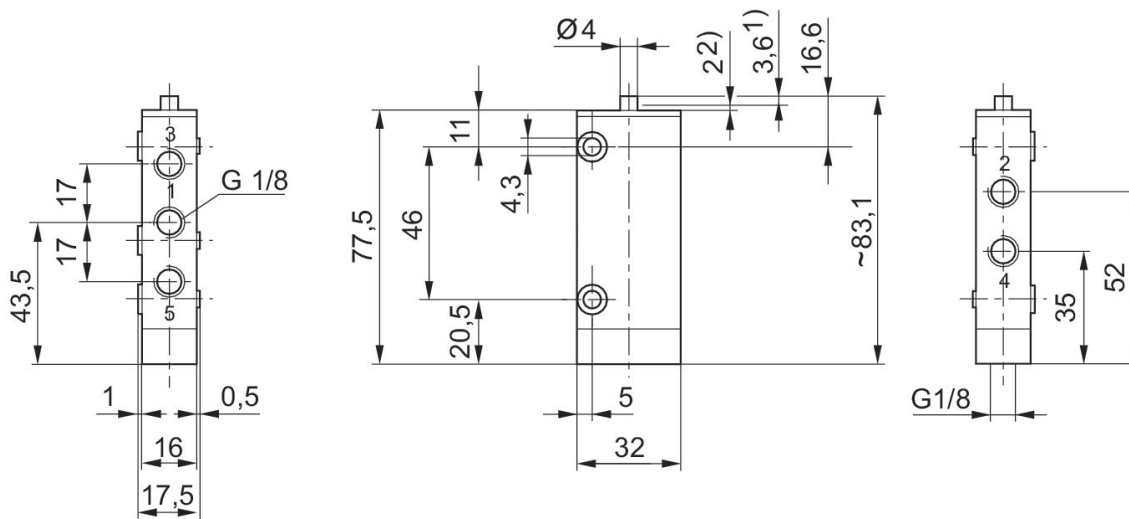
5/2-directional valve, Series ST

: not lockable
 Flow: 280 l/min
 Activation: Mechanical
 Compressed air connection type: Internal thread
 Compressed air connection input: G 1/8
 Compressed air connection output: G 1/8
 Compressed air connection, exhaust: G 1/8
 Min. control pressure: 2 bar
 Max. control pressure: 10 bar
 Ambient temperature min./max.: -15 °C ... 80 °C
 Medium temperature min./max.: -15 °C ... 80 °C
 Working pressure min./max.: -0.95 bar ... 10 bar



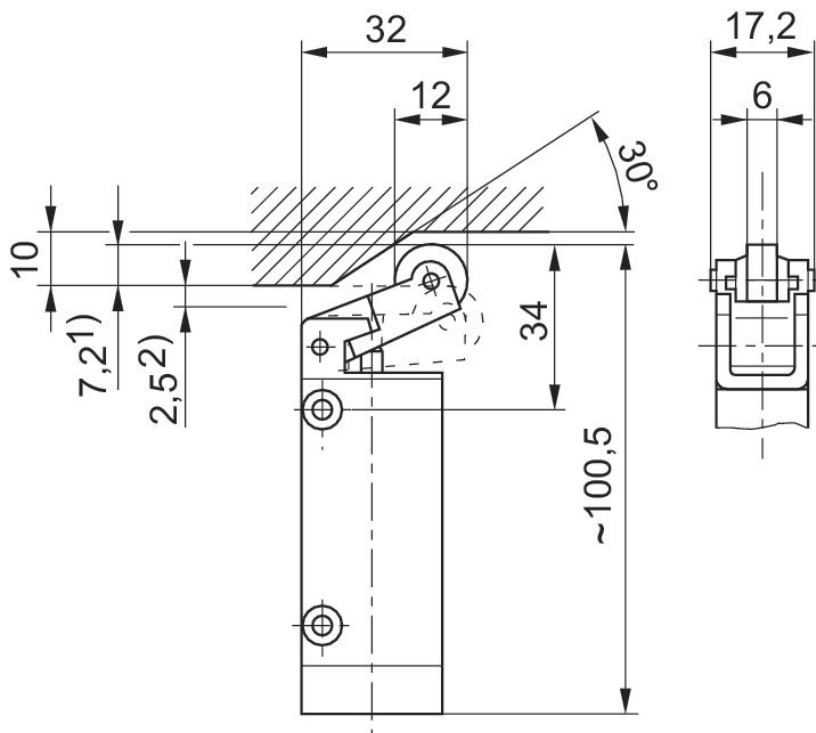
Actuating element	Housing material	Surface housing	Switching principle	Compressed air connection output	Part No.
Roller	Stainless Steel	hardened	5/2, with air spring return	G 1/8	0820403009

Dimensions in mm
 Basic valve



1) Actuating stroke
 2) Overstroke
 Mounting via 2 through-holes in housing nozzle and tubing, not included in scope of delivery
 Dimensions of basic valve apply to all types of actuation.

Dimensions in mm

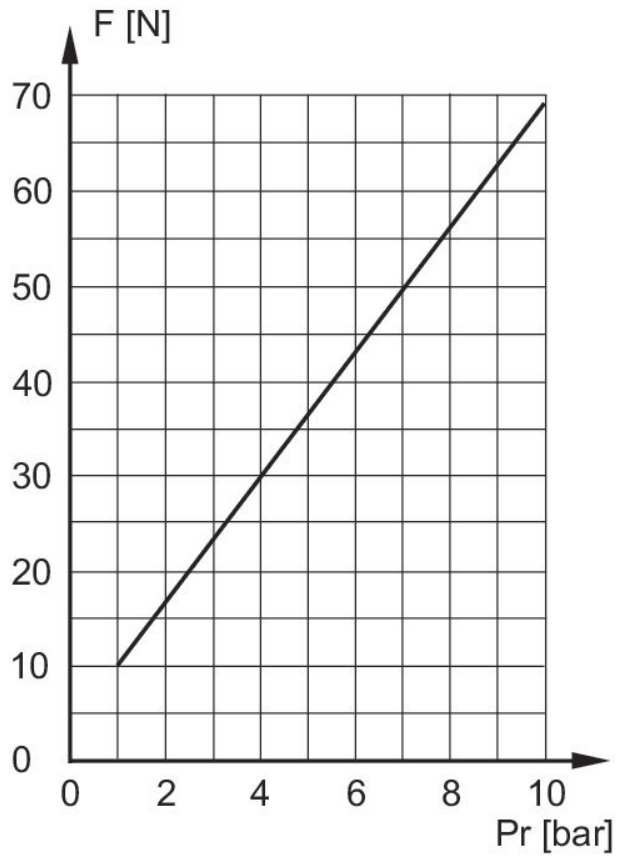


1) Actuating stroke

2) Overstroke

Mounting via 2 through-holes in housing nozzle and tubing, not included in scope of delivery

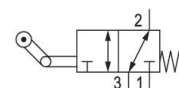
Actuating force+



F = actuating force
Pr = return pressure

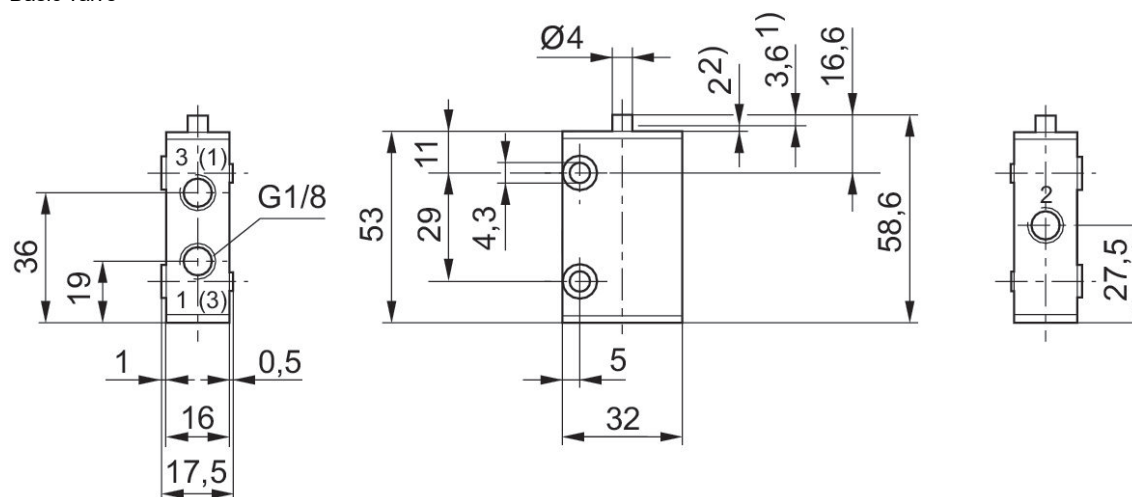
3/2-directional valve, Series ST

: not lockable
 Flow: 280 l/min
 Activation: Mechanical
 Compressed air connection type: Internal thread
 Compressed air connection input: G 1/8
 Compressed air connection output: G 1/8
 Compressed air connection, exhaust: G 1/8
 Ambient temperature min./max.: -15 °C ... 80 °C
 Medium temperature min./max.: -15 °C ... 80 °C
 Working pressure min./max.: -0.95 bar ... 10 bar



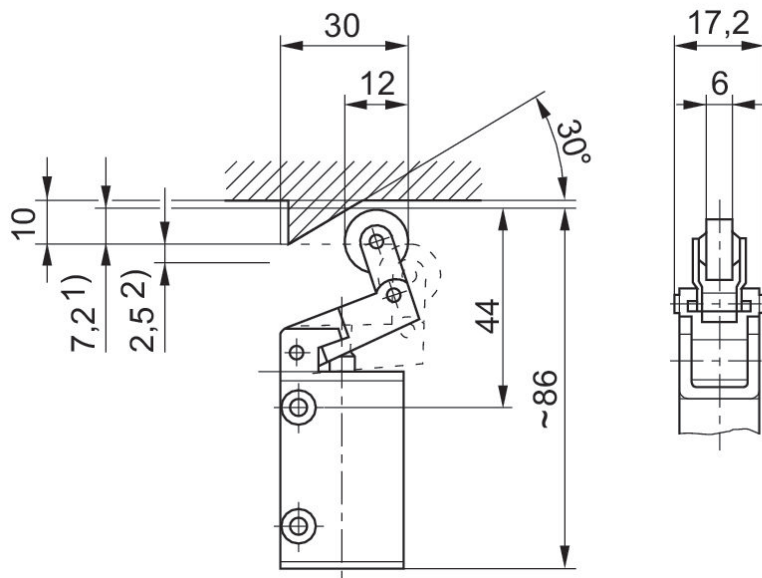
Actuating element	Housing material	Surface housing	Switching principle	Compressed air connection output	Part No.
Roller lever, one-way trip	Stainless Steel	hardened	3/2, with spring return	G 1/8	0820402003

Dimensions in mm
 Basic valve



1) Actuating stroke
 2) Overstroke
 Connection via 2 through-holes in housing.
 Dimensions of basic valve apply to all types of actuation.

Dimensions in mm



- 1) Actuating stroke
- 2) Overstroke

3/2-directional valve, Series ST

: not lockable

Flow: 280 l/min

Activation: Mechanical

Compressed air connection type: Internal thread

Compressed air connection input: G 1/8

Compressed air connection output: G 1/8

Compressed air connection, exhaust: G 1/8

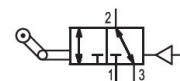
Min. control pressure: 2 bar

Max. control pressure: 10 bar

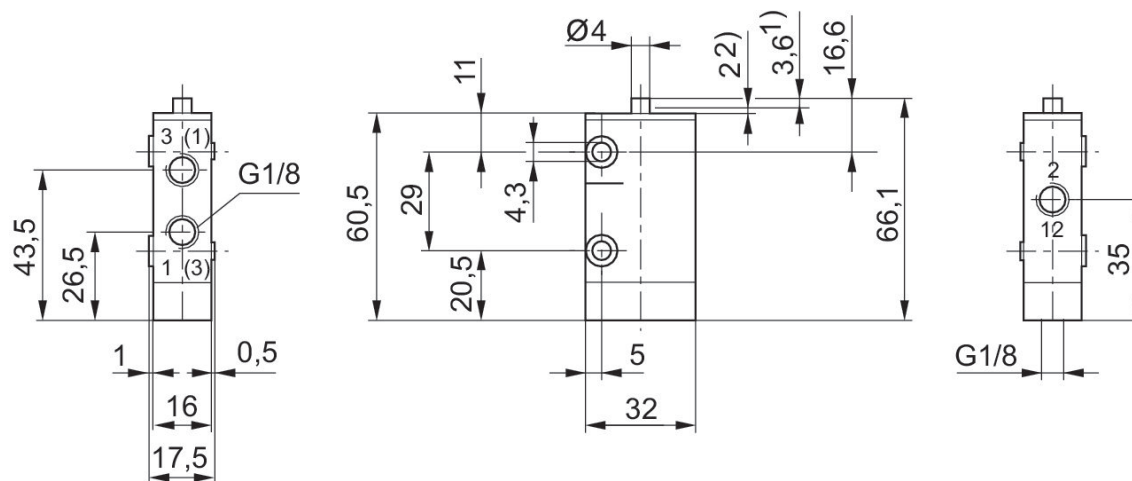
Ambient temperature min./max.: -15 °C ... 80 °C

Medium temperature min./max.: -15 °C ... 80 °C

Working pressure min./max.: -0.95 bar ... 10 bar



Actuating element	Housing material	Surface housing	Switching principle	Compressed air connection output	Part No.
Roller lever, one-way trip	Stainless Steel	hardened	3/2, with pneumatic return	G 1/8	0820402010

Dimensions in mm
Basic valve

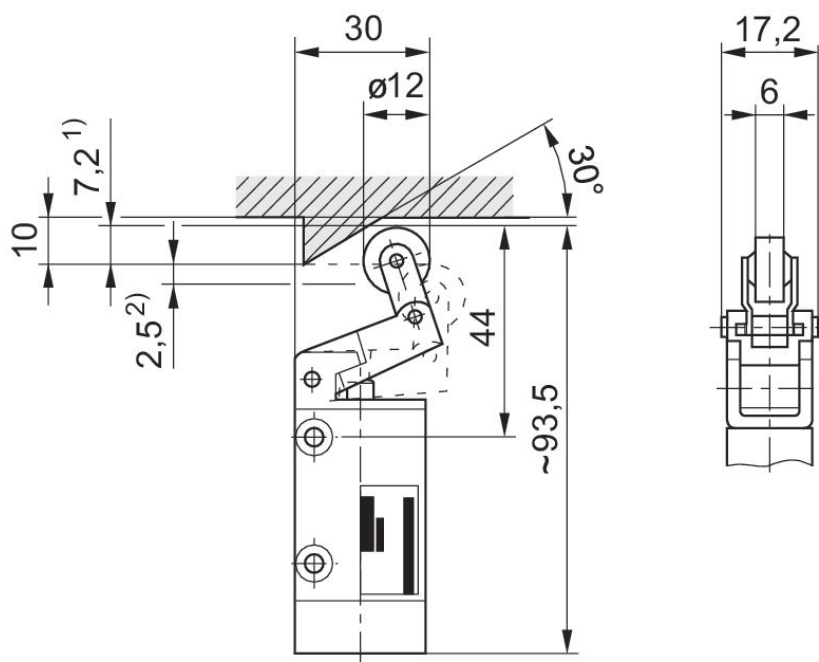
1) Actuating stroke

2) Overstroke

Connection via 2 through-holes in housing.

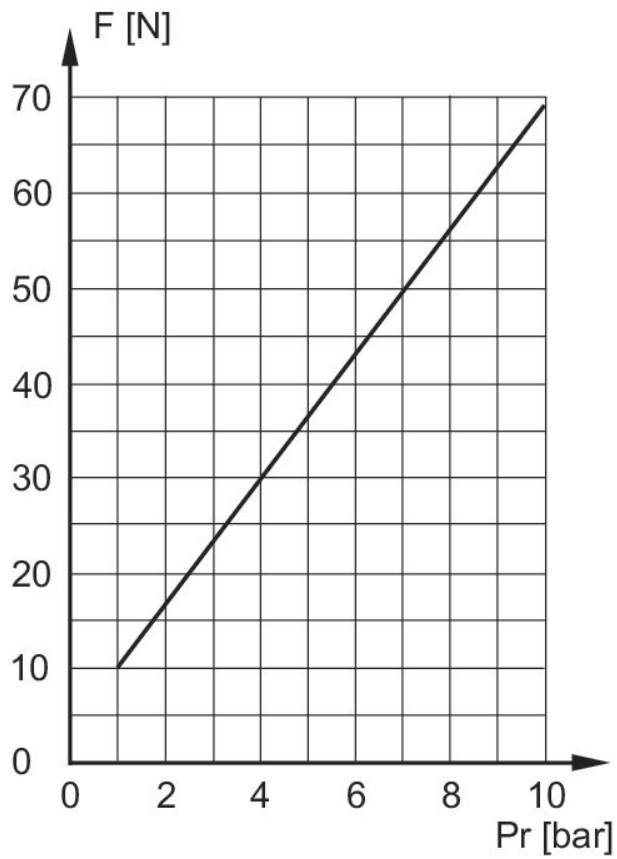
Dimensions of basic valve apply to all types of actuation.

Dimensions in mm



- 1) Actuating stroke
- 2) Overstroke
- Cconnection via 2 through-holes in housing.

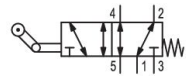
Actuating force+



F = actuating force
Pr = return pressure

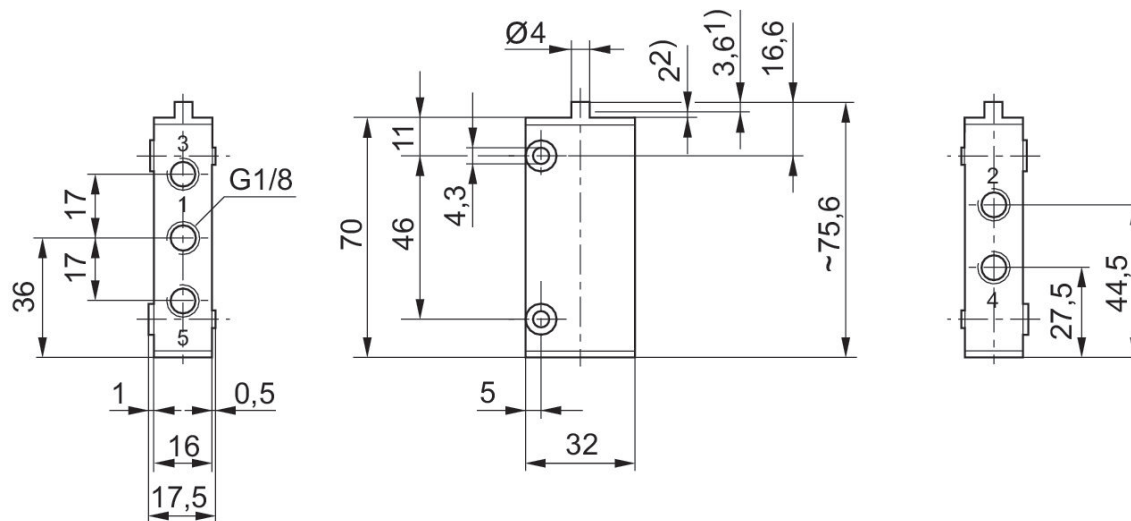
5/2-directional valve, Series ST

: not lockable
 Flow: 280 l/min
 Activation: Mechanical
 Compressed air connection type: Internal thread
 Compressed air connection input: G 1/8
 Compressed air connection output: G 1/8
 Compressed air connection, exhaust: G 1/8
 Ambient temperature min./max.: -15 °C ... 80 °C
 Medium temperature min./max.: -15 °C ... 80 °C
 Working pressure min./max.: -0.95 bar ... 10 bar



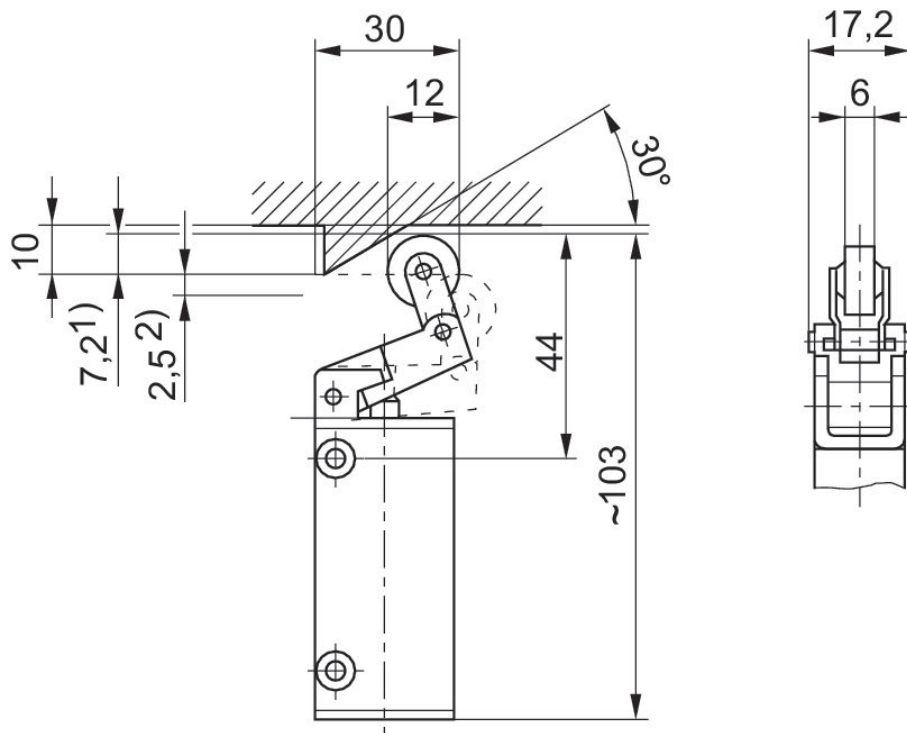
Actuating element	Housing material	Surface housing	Switching principle	Compressed air connection output	Part No.
Roller lever, one-way trip	Stainless Steel	hardened	5/2, with spring return	G 1/8	0820403003

Dimensions in mm
 Basic valve



1) Actuating stroke
 2) Overstroke
 Mounting via 2 through-holes in housing
 Dimensions of basic valve apply to all types of actuation.

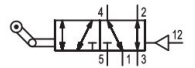
Dimensions in mm



- 1) Actuating stroke
 - 2) Overstroke
- Connection via 2 through-holes in housing.
Nozzle and tubing, not included in scope of delivery.

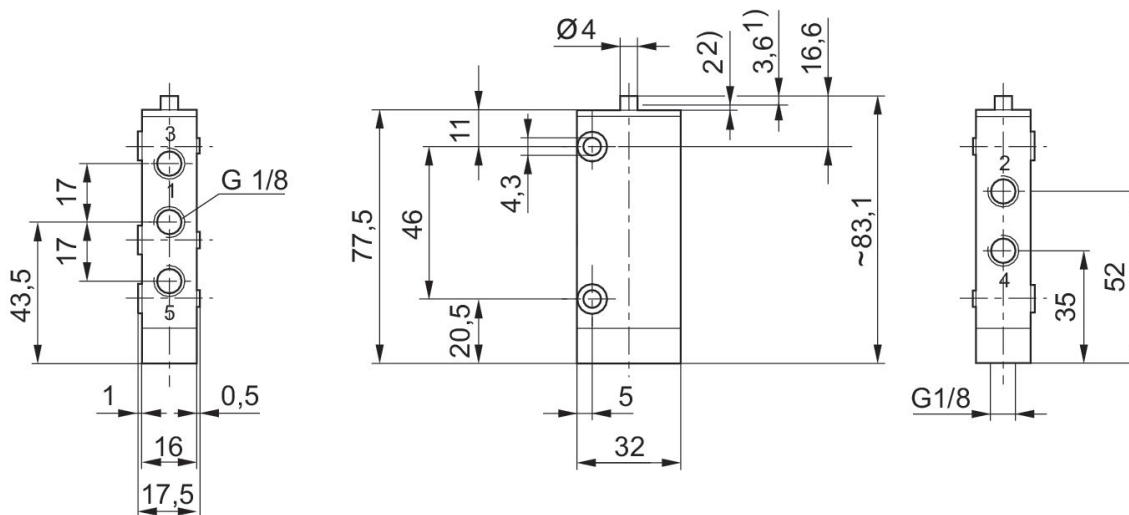
5/2-directional valve, Series ST

: not lockable
 Flow: 280 l/min
 Activation: Mechanical
 Compressed air connection type: Internal thread
 Compressed air connection input: G 1/8
 Compressed air connection output: G 1/8
 Compressed air connection, exhaust: G 1/8
 Min. control pressure: 2 bar
 Max. control pressure: 10 bar
 Ambient temperature min./max.: -15 °C ... 80 °C
 Medium temperature min./max.: -15 °C ... 80 °C
 Working pressure min./max.: -0.95 bar ... 10 bar



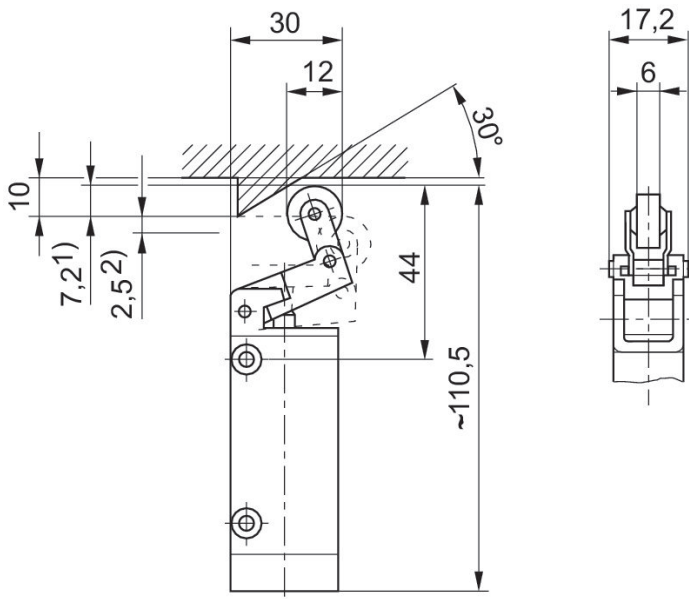
Actuating element	Housing material	Surface housing	Switching principle	Compressed air connection output	Part No.
Roller lever, one-way trip	Stainless Steel	hardened	5/2, with air spring return	G 1/8	0820403010

Dimensions in mm
 Basic valve



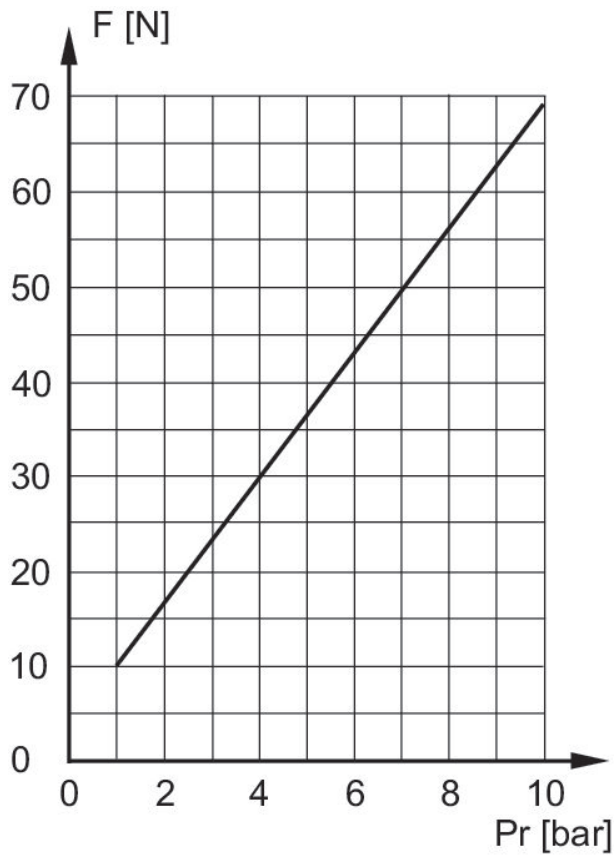
1) Actuating stroke
 2) Overstroke
 Mounting via 2 through-holes in housing nozzle and tubing, not included in scope of delivery
 Dimensions of basic valve apply to all types of actuation.

Dimensions in mm



- 1) Actuating stroke
 - 2) Overstroke
- Mounting via 2 through-holes in housing nozzle and tubing, not included in scope of delivery

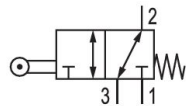
Actuating force+



F = actuating force
 Pr = return pressure

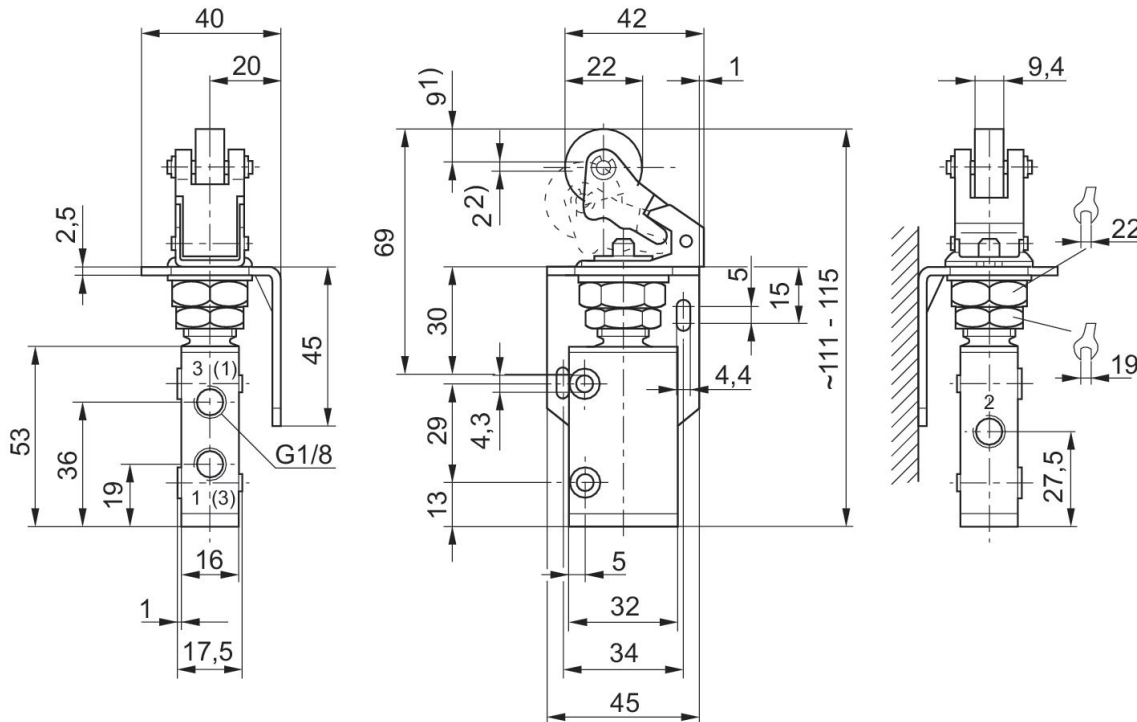
3/2-directional valve, Series ST

: not lockable
 Flow: 280 l/min
 Activation: Mechanical
 Compressed air connection type: Internal thread
 Compressed air connection input: G 1/8
 Compressed air connection output: G 1/8
 Compressed air connection, exhaust: G 1/8
 Ambient temperature min./max.: -15 °C ... 80 °C
 Medium temperature min./max.: -15 °C ... 80 °C
 Working pressure min./max.: -0.95 bar ... 10 bar



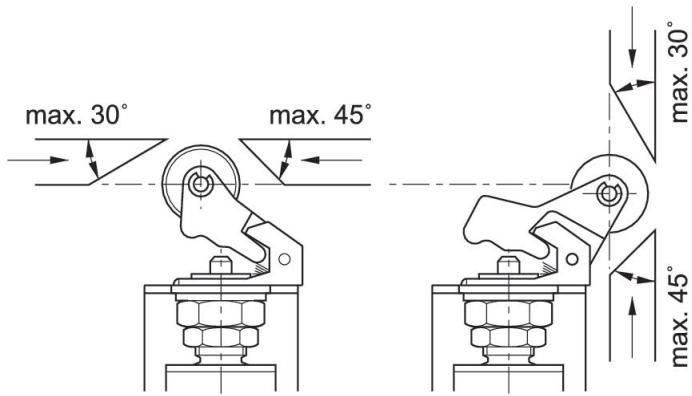
Actuating element	Housing material	Surface housing	Switching principle	Compressed air connection output	Part No.
Roller with single-action lever	Stainless Steel	hardened	3/2, with spring return	G 1/8	0820402016

Dimensions in mm



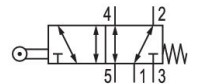
1) Actuating stroke
 2) Overstroke
 Can be adjusted by 90°, thereby providing 4 different angles of approach.

Angle of approach



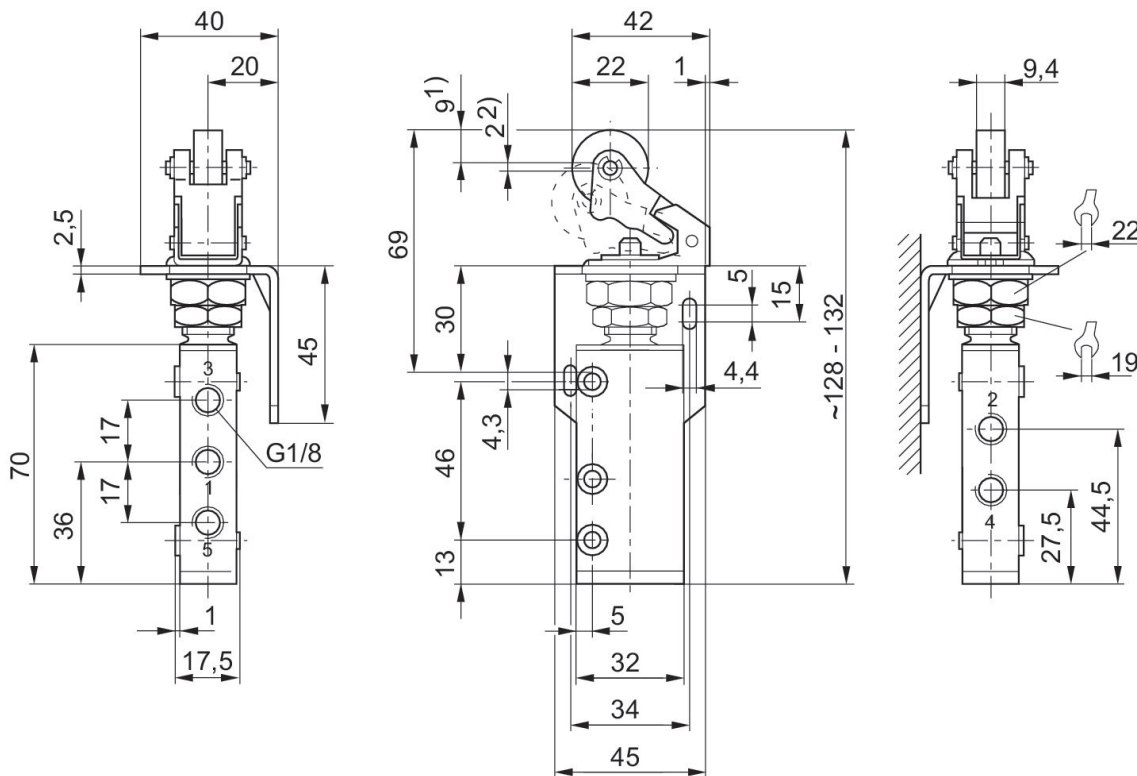
5/2-directional valve, Series ST

: not lockable
 Flow: 280 l/min
 Activation: Mechanical
 Compressed air connection type: Internal thread
 Compressed air connection input: G 1/8
 Compressed air connection output: G 1/8
 Compressed air connection, exhaust: G 1/8
 Ambient temperature min./max.: -15 °C ... 80 °C
 Medium temperature min./max.: -15 °C ... 80 °C
 Working pressure min./max.: -0.95 bar ... 10 bar



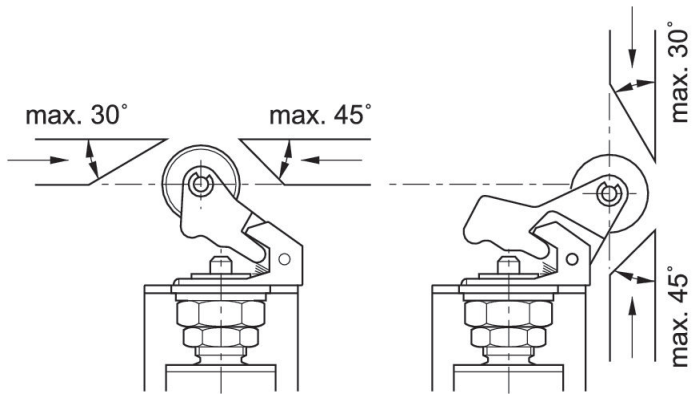
Actuating element	Housing material	Surface housing	Switching principle	Compressed air connection output	Part No.
Roller with single-action lever	Stainless Steel	hardened	5/2, with spring return	G 1/8	0820403016

Dimensions in mm



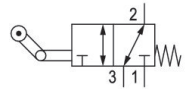
1) Actuating stroke
 2) Overstroke
 Can be adjusted by 90°, thereby providing 4 different angles of approach.

Angle of approach



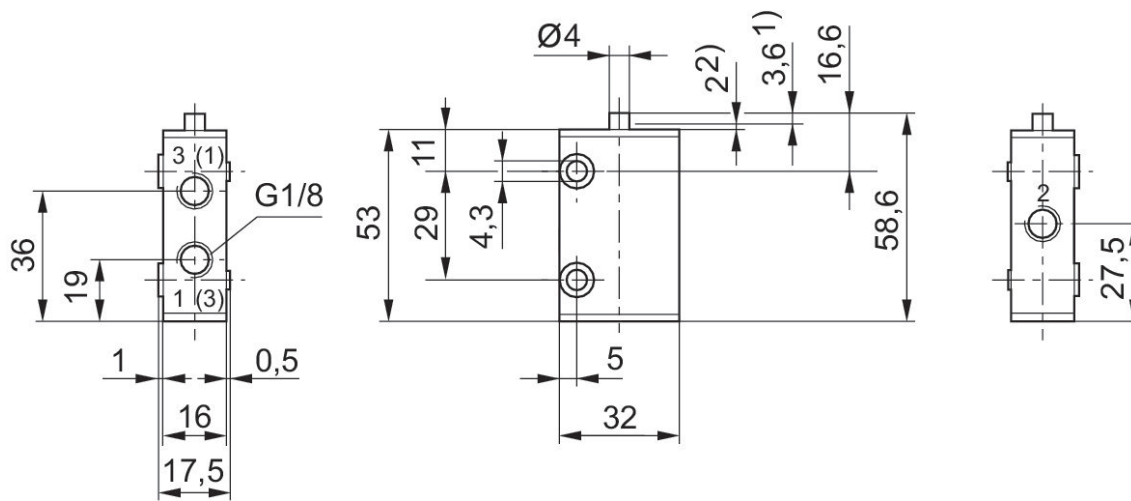
3/2-directional valve, Series ST

: not lockable
 Flow: 280 l/min
 Activation: Mechanical
 Compressed air connection type: Internal thread
 Compressed air connection input: G 1/8
 Compressed air connection output: G 1/8
 Compressed air connection, exhaust: G 1/8
 Ambient temperature min./max.: -15 °C ... 80 °C
 Medium temperature min./max.: -15 °C ... 80 °C
 Working pressure min./max.: -0.95 bar ... 10 bar



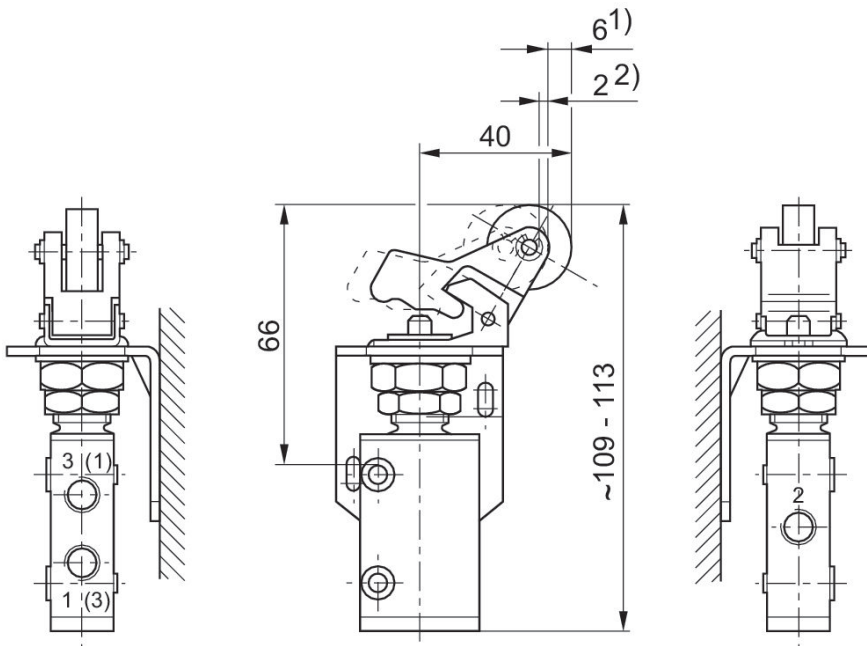
Actuating element	Housing material	Surface housing	Switching principle	Compressed air connection output	Part No.
Roller with articulated lever	Stainless Steel	hardened	3/2, with spring return	G 1/8	0820402017

Dimensions in mm
 Basic valve



1) Actuating stroke
 2) Overstroke
 Connection via 2 through-holes in housing.
 Dimensions of basic valve apply to all types of actuation.

Dimensions in mm

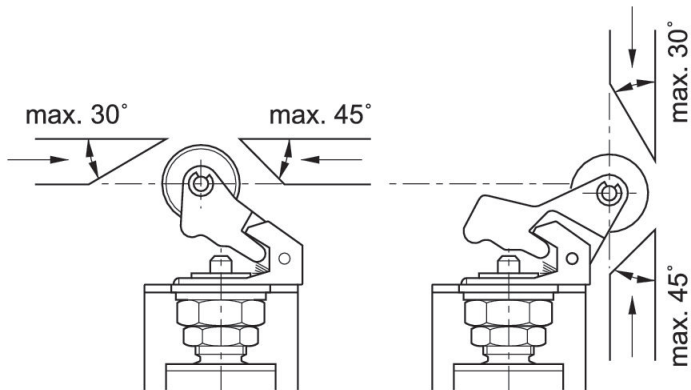


1) Actuating stroke

2) Overstroke

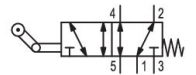
Can be adjusted by 90°, thereby providing 4 different angles of approach.

Angle of approach



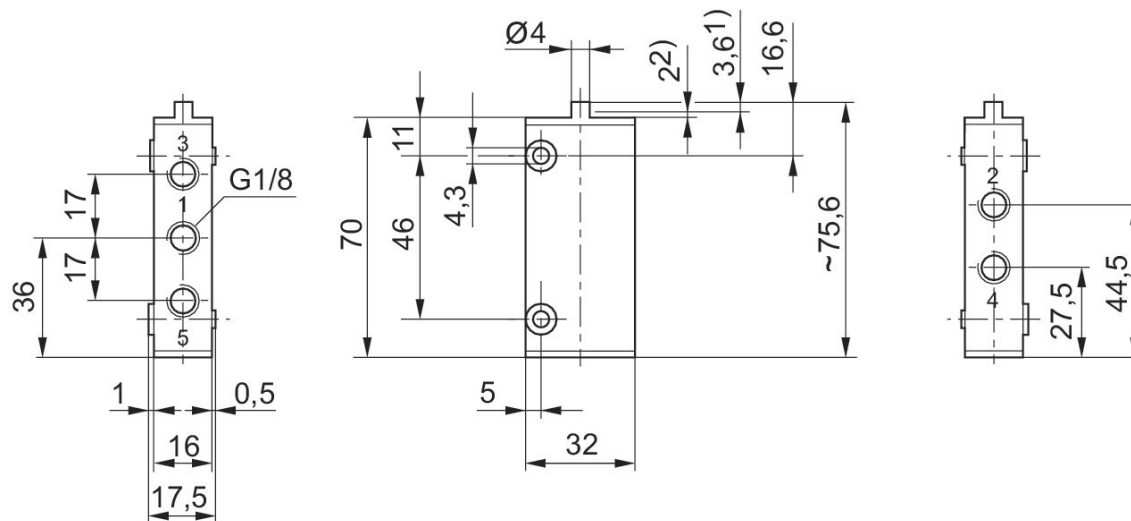
5/2-directional valve, Series ST

: not lockable
 Flow: 280 l/min
 Activation: Mechanical
 Compressed air connection type: Internal thread
 Compressed air connection input: G 1/8
 Compressed air connection output: G 1/8
 Compressed air connection, exhaust: G 1/8
 Ambient temperature min./max.: -15 °C ... 80 °C
 Medium temperature min./max.: -15 °C ... 80 °C
 Working pressure min./max.: -0.95 bar ... 10 bar



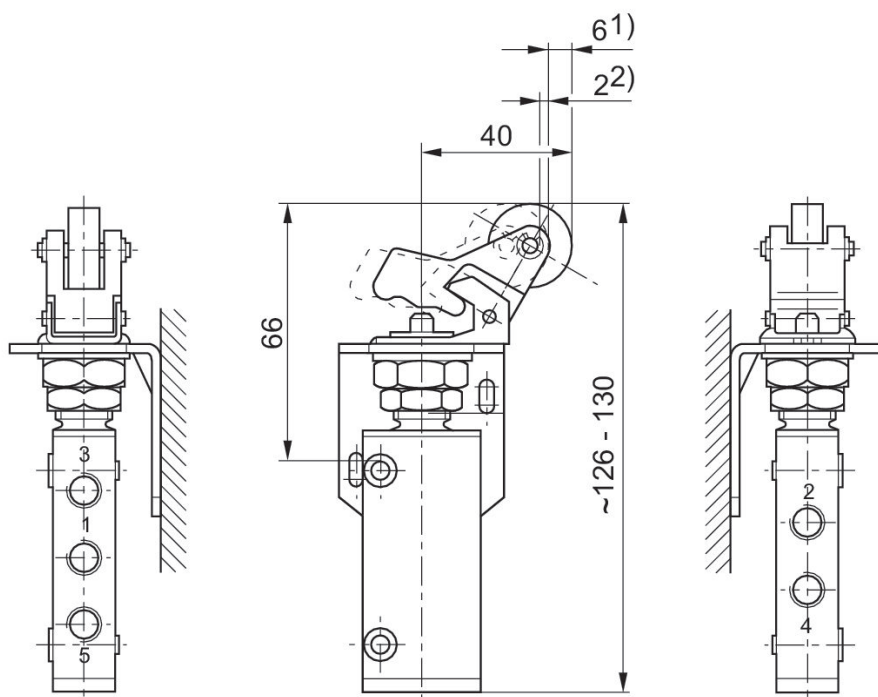
Actuating element	Housing material	Surface housing	Switching principle	Compressed air connection output	Part No.
Roller with articulated lever	Stainless Steel	hardened	5/2, with spring return	G 1/8	0820403017

Dimensions in mm
 Basic valve



1) Actuating stroke
 2) Overstroke
 Mounting via 2 through-holes in housing
 Dimensions of basic valve apply to all types of actuation.

Dimensions in mm

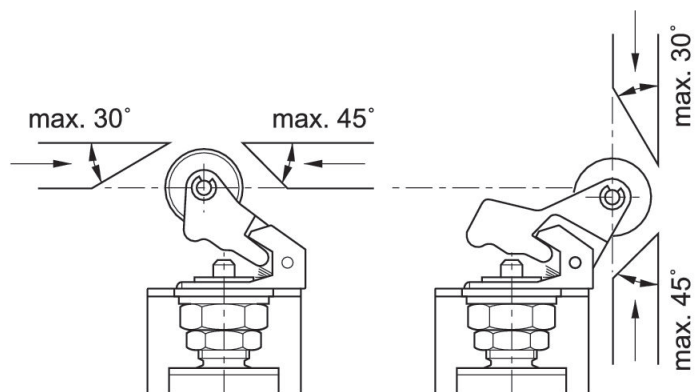


1) Actuating stroke

2) Overstroke

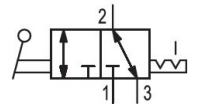
Can be adjusted by 90°, thereby providing 4 different angles of approach.

Angle of approach



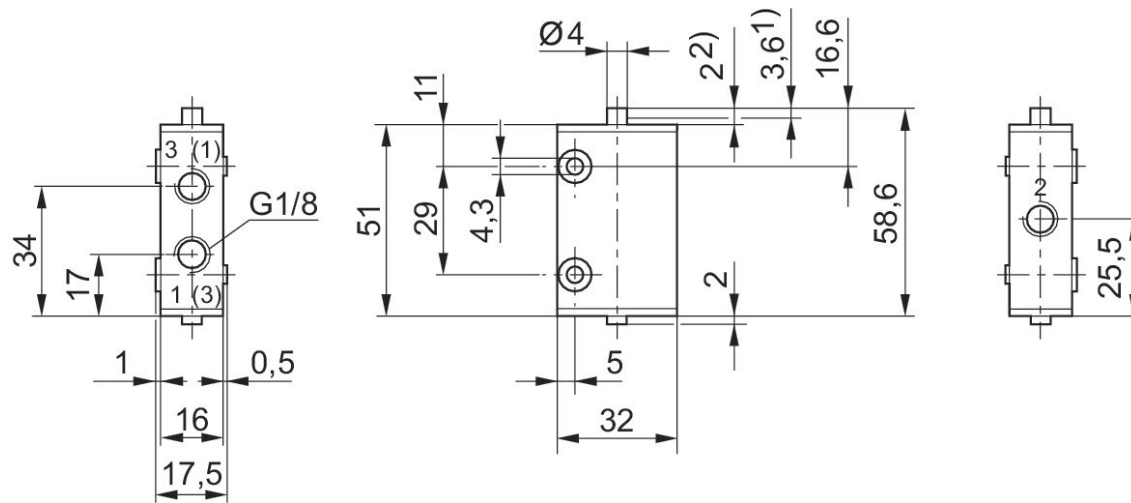
3/2-directional valve, Series ST

: not lockable
 Flow: 280 l/min
 Activation: Mechanical
 Compressed air connection type: Internal thread
 Compressed air connection input: G 1/8
 Compressed air connection output: G 1/8
 Compressed air connection, exhaust: G 1/8
 Ambient temperature min./max.: -15 °C ... 80 °C
 Medium temperature min./max.: -15 °C ... 80 °C
 Working pressure min./max.: -0.95 bar ... 10 bar



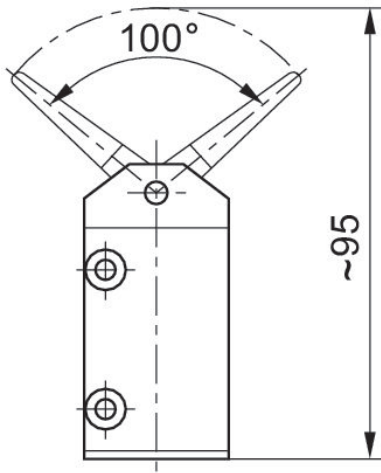
Actuating element	Housing material	Surface housing	Switching principle	Compressed air connection output	Part No.
Lever	Stainless Steel	hardened	3/2, double air pilot	G 1/8	0820402005

Dimensions in mm
 Basic valve



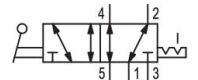
- 1) Actuating stroke
- 2) Overstroke

Dimensions in mm



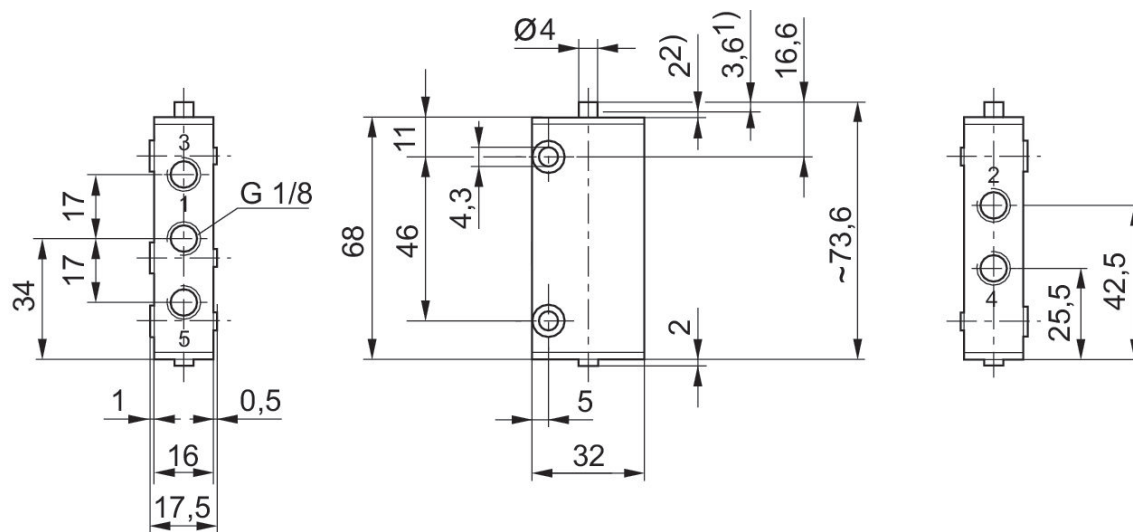
5/2-directional valve, Series ST

: not lockable
 Flow: 280 l/min
 Activation: Mechanical
 Compressed air connection type: Internal thread
 Compressed air connection input: G 1/8
 Compressed air connection output: G 1/8
 Compressed air connection, exhaust: G 1/8
 Ambient temperature min./max.: -15 °C ... 80 °C
 Medium temperature min./max.: -15 °C ... 80 °C
 Working pressure min./max.: -0.95 bar ... 10 bar



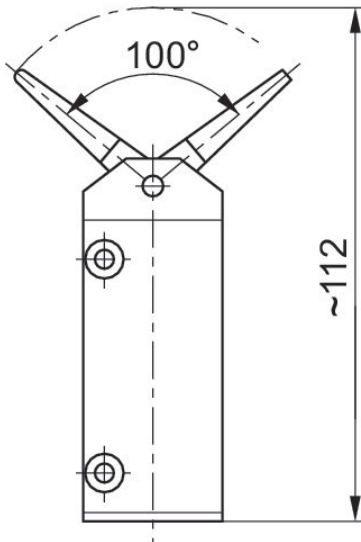
Actuating element	Housing material	Surface housing	Switching principle	Compressed air connection output	Part No.
Lever	Stainless Steel	hardened	5/2, double air pilot	G 1/8	0820403005

Dimensions in mm
 Basic valve



1) Actuating stroke
 2) Overstroke
 Connection via 2 through-holes in housing.
 If the plunger is displaced all the way to the housing cover, the actuating stroke changes from 3.6 to 5.6 mm.

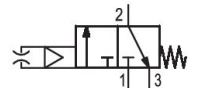
Dimensions in mm



Mounting via 2 through-holes in housing

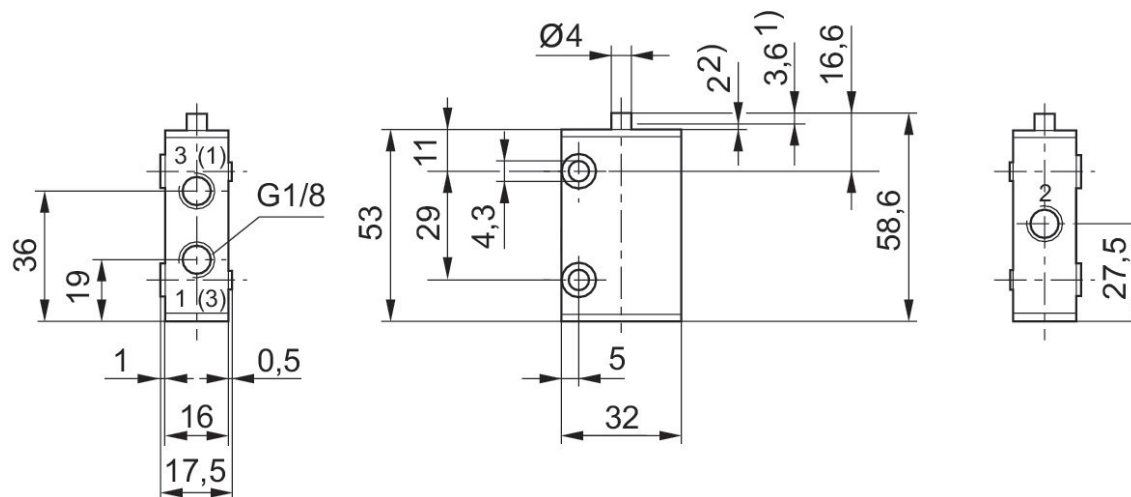
3/2-directional valve, Series ST

: not lockable
 Flow: 280 l/min
 Activation: Mechanical
 Compressed air connection type: Internal thread
 Compressed air connection input: G 1/8
 Compressed air connection output: G 1/8
 Compressed air connection, exhaust: G 1/8
 Ambient temperature min./max.: -15 °C ... 80 °C
 Medium temperature min./max.: -15 °C ... 80 °C
 Working pressure min./max.: 2 bar ... 10 bar



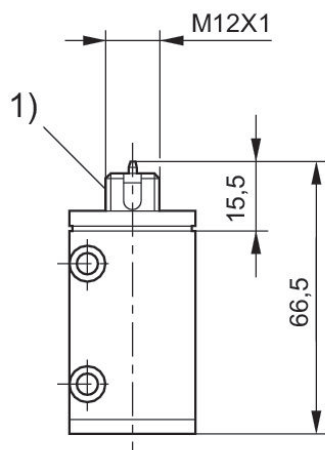
Actuating element	Housing material	Surface housing	Switching principle	Compressed air connection output	Part No.
Nozzle	Stainless Steel	hardened	3/2, with spring return	G 1/8	0820402015

Dimensions in mm
 Basic valve



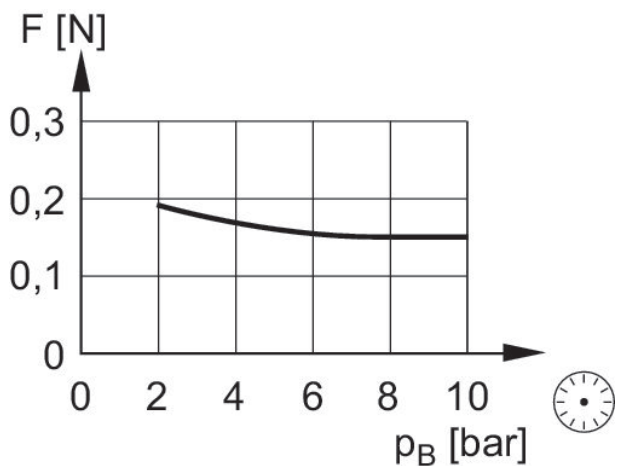
1) Actuating stroke
 2) Overstroke
 Connection via 2 through-holes in housing.
 Dimensions of basic valve apply to all types of actuation.

Dimensions in mm



1) not intended as mounting thread
Mounting via 2 through-holes in housing

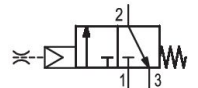
Diagram



F = actuating force at the rear end of the spring-loaded rod
 p_B = Working pressure

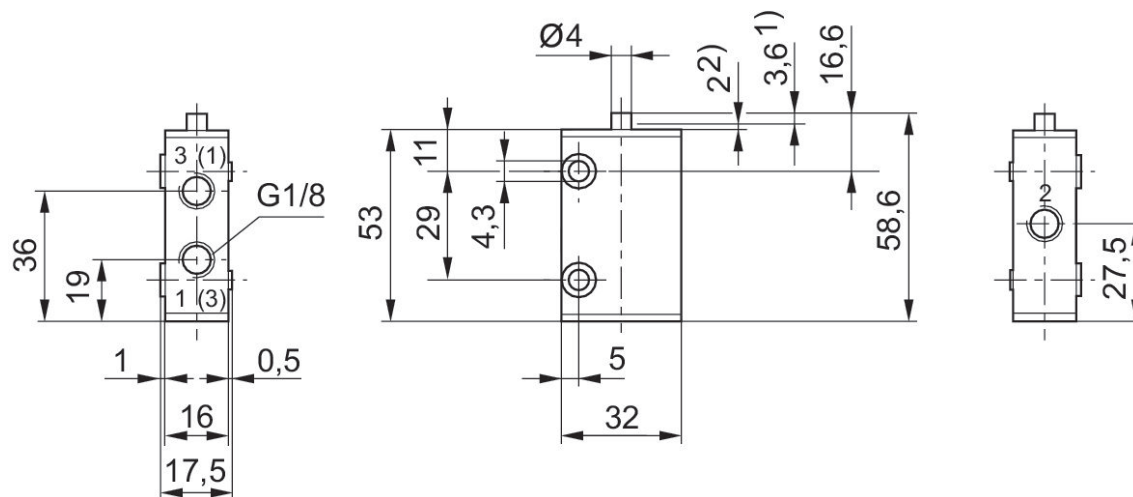
3/2-directional valve, Series ST

: not lockable
 Flow: 280 l/min
 Activation: Mechanical
 Compressed air connection type: Internal thread
 Compressed air connection input: G 1/8
 Compressed air connection output: G 1/8
 Compressed air connection, exhaust: G 1/8
 Ambient temperature min./max.: -15 °C ... 80 °C
 Medium temperature min./max.: -15 °C ... 80 °C
 Working pressure min./max.: 2 bar ... 10 bar



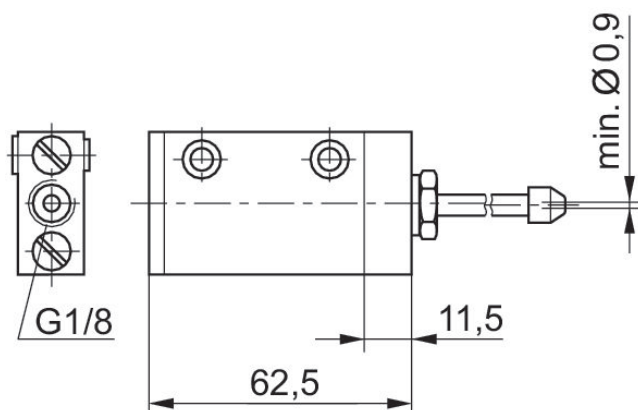
Actuating element	Housing material	Surface housing	Switching principle	Compressed air connection output	Part No.
Nozzle	Stainless Steel	hardened	3/2, with spring return	G 1/8	0820402018

Dimensions in mm
 Basic valve



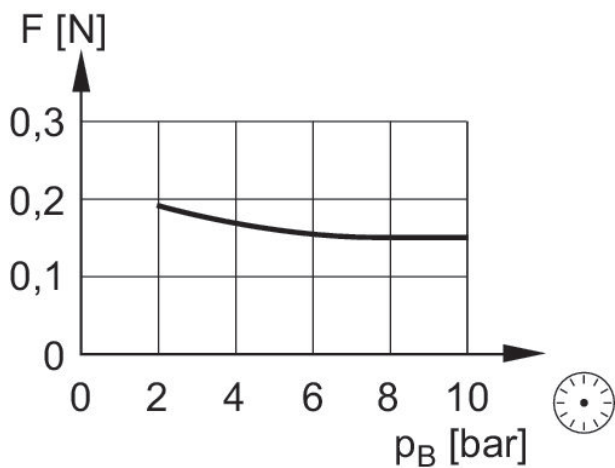
1) Actuating stroke
 2) Overstroke
 Connection via 2 through-holes in housing.
 Dimensions of basic valve apply to all types of actuation.

Dimensions in mm



Connection via 2 through-holes in housing.
Nozzle and tubing, not included in scope of delivery.

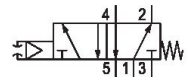
Diagram



F = actuating force at the rear end of the spring-loaded rod
 p_B = Working pressure

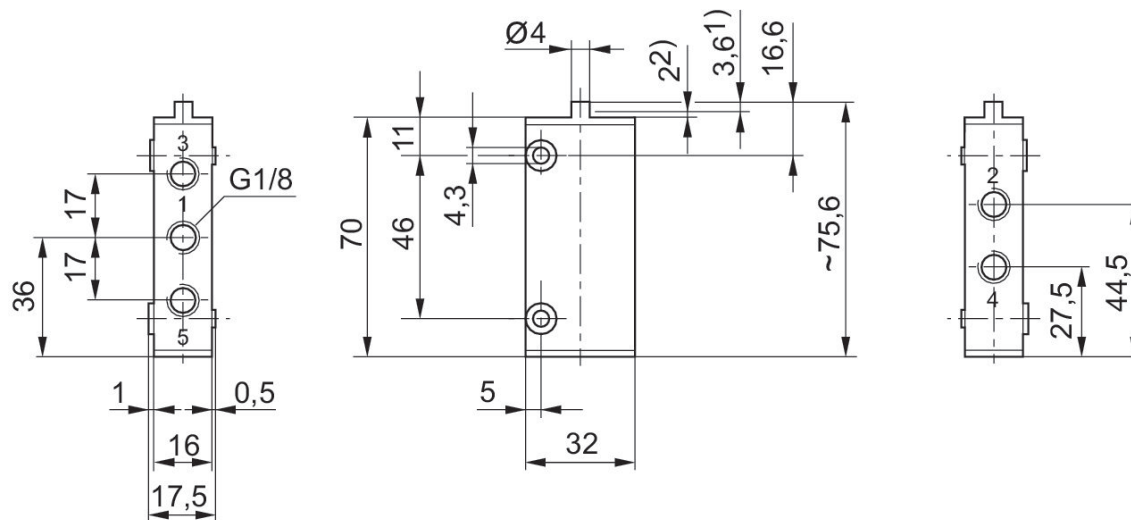
5/2-directional valve, Series ST

: not lockable
 Flow: 280 l/min
 Activation: Mechanical
 Compressed air connection type: Internal thread
 Compressed air connection input: G 1/8
 Compressed air connection output: G 1/8
 Compressed air connection, exhaust: G 1/8
 Ambient temperature min./max.: -15 °C ... 80 °C
 Medium temperature min./max.: -15 °C ... 80 °C
 Working pressure min./max.: 2 bar ... 10 bar



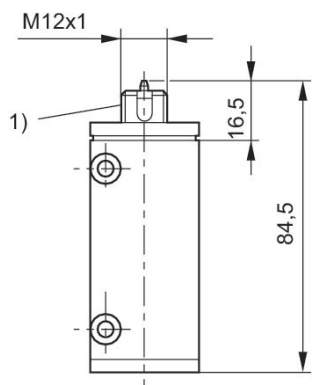
Actuating element	Housing material	Surface housing	Switching principle	Compressed air connection output	Part No.
Nozzle	Stainless Steel	hardened	5/2, with spring return	G 1/8	0820403015

Dimensions in mm
 Basic valve



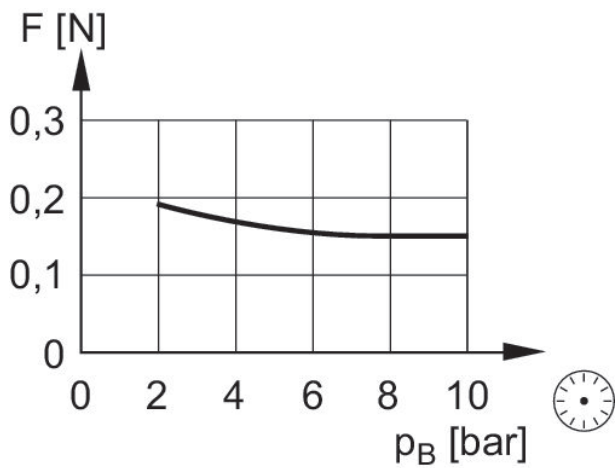
1) Actuating stroke
 2) Overstroke
 Mounting via 2 through-holes in housing
 Dimensions of basic valve apply to all types of actuation.

Dimensions in mm



1) not intended as mounting thread
Mounting via 2 through-holes in housing

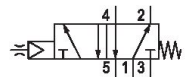
Diagram



F = actuating force at the rear end of the spring-loaded rod
 p_B = Working pressure

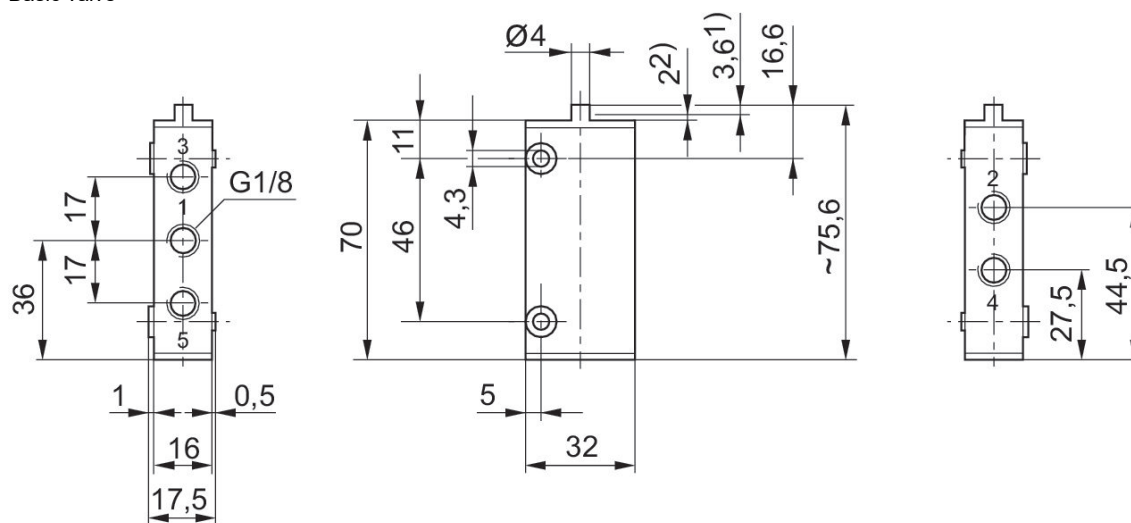
5/2-directional valve, Series ST

: not lockable
 Flow: 280 l/min
 Activation: Mechanical
 Compressed air connection type: Internal thread
 Compressed air connection input: G 1/8
 Compressed air connection output: G 1/8
 Compressed air connection, exhaust: G 1/8
 Ambient temperature min./max.: -15 °C ... 80 °C
 Medium temperature min./max.: -15 °C ... 80 °C
 Working pressure min./max.: 2 bar ... 10 bar



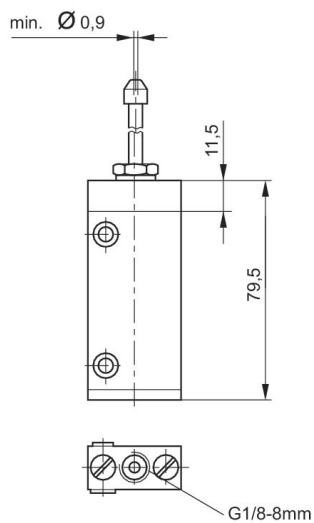
Actuating element	Housing material	Surface housing	Switching principle	Compressed air connection output	Part No.
Nozzle	Stainless Steel	hardened	5/2, with spring return	G 1/8	0820403018

Dimensions in mm
 Basic valve



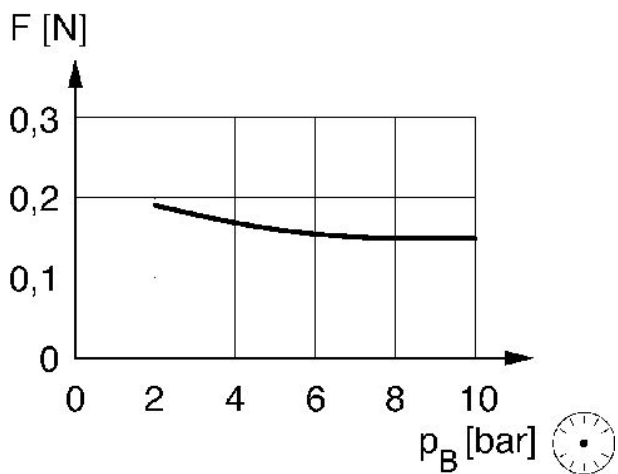
1) Actuating stroke
 2) Overstroke
 Mounting via 2 through-holes in housing
 Dimensions of basic valve apply to all types of actuation.

Dimensions in mm



Mounting via 2 through-holes in housing

Diagram



F = actuating force at the rear end of the spring-loaded rod
 p_B = Working pressure

3/2-directional valve, Series ST

: not lockable

Flow: 280 l/min

Activation: Mechanical

Compressed air connection type: Internal thread

Compressed air connection input: G 1/8

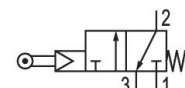
Compressed air connection output: G 1/8

Compressed air connection, exhaust: G 1/8

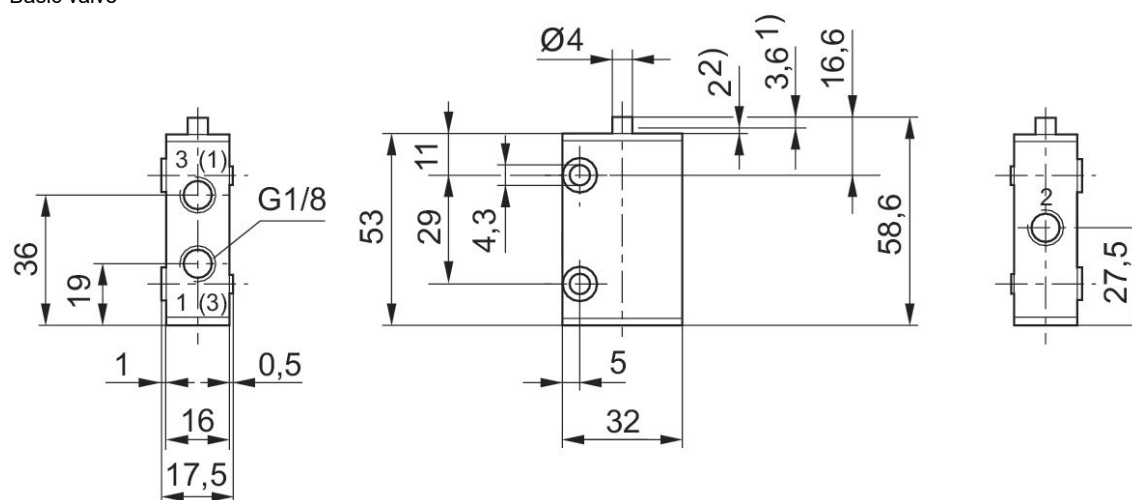
Ambient temperature min./max.: -15 °C ... 80 °C

Medium temperature min./max.: -15 °C ... 80 °C

Working pressure min./max.: 2 bar ... 10 bar



Actuating element	Housing material	Surface housing	Switching principle	Compressed air connection output	Part No.
Ball	Stainless Steel	hardened	3/2, with spring return	G 1/8	0820402014

Dimensions in mm
Basic valve

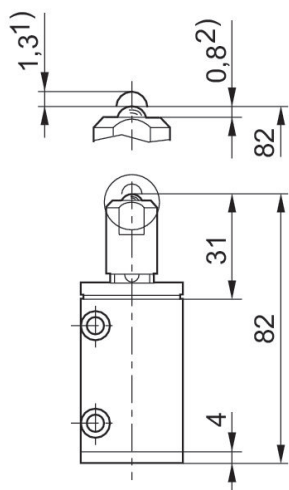
1) Actuating stroke

2) Overstroke

Connection via 2 through-holes in housing.

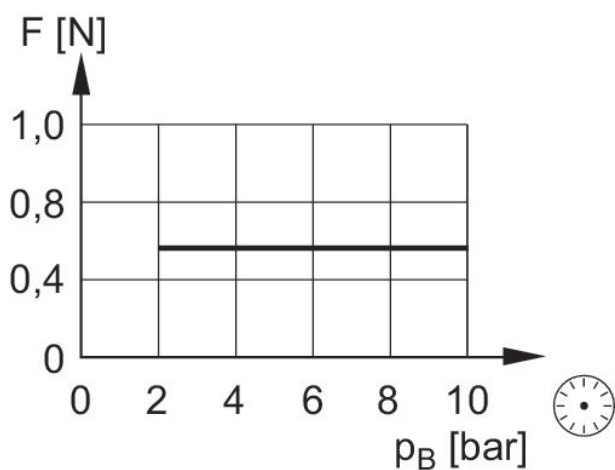
Dimensions of basic valve apply to all types of actuation.

Dimensions in mm



- 1) Actuating stroke
 - 2) Overstroke
 - Cconnection via 2 through-holes in housing.
- Nozzle and tubing, not included in scope of delivery.

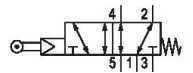
Diagram



F = actuating force at the rear end of the spring-loaded rod
 p_B = Working pressure

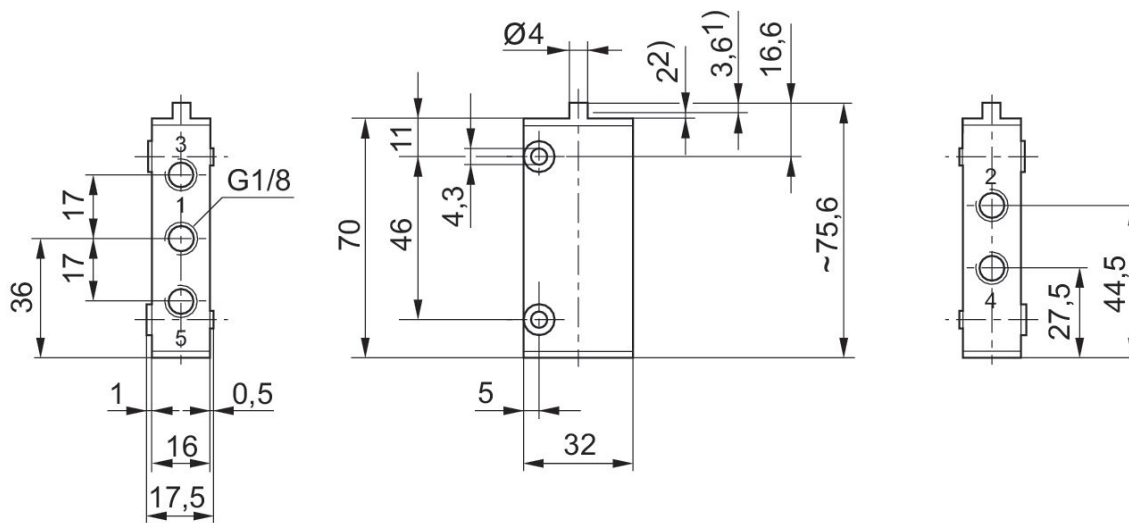
5/2-directional valve, Series ST

: not lockable
 Flow: 280 l/min
 Activation: Mechanical
 Compressed air connection type: Internal thread
 Compressed air connection input: G 1/8
 Compressed air connection output: G 1/8
 Compressed air connection, exhaust: G 1/8
 Ambient temperature min./max.: -15 °C ... 80 °C
 Medium temperature min./max.: -15 °C ... 80 °C
 Working pressure min./max.: 2 bar ... 10 bar



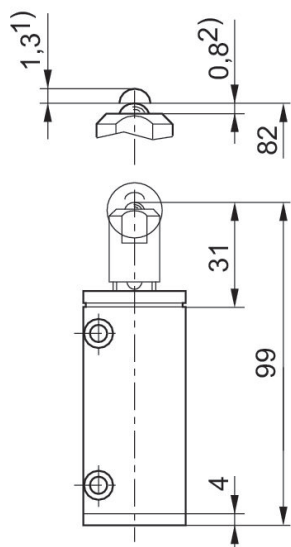
Actuating element	Housing material	Surface housing	Switching principle	Compressed air connection output	Part No.
Ball	Stainless Steel	hardened	5/2, with spring return	G 1/8	0820403014

Dimensions in mm
 Basic valve



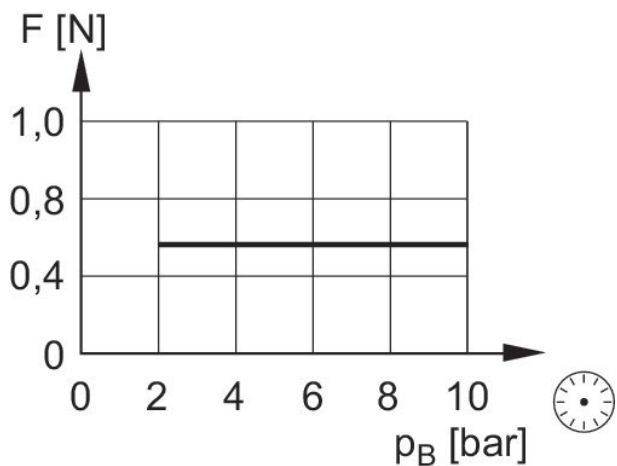
1) Actuating stroke
 2) Overstroke
 Mounting via 2 through-holes in housing
 Dimensions of basic valve apply to all types of actuation.

Dimensions in mm



- 1) Actuating stroke
 - 2) Overstroke
- Mounting via 2 through-holes in housing

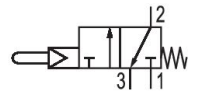
Diagram



F = actuating force at the rear end of the spring-loaded rod
 p_B = Working pressure

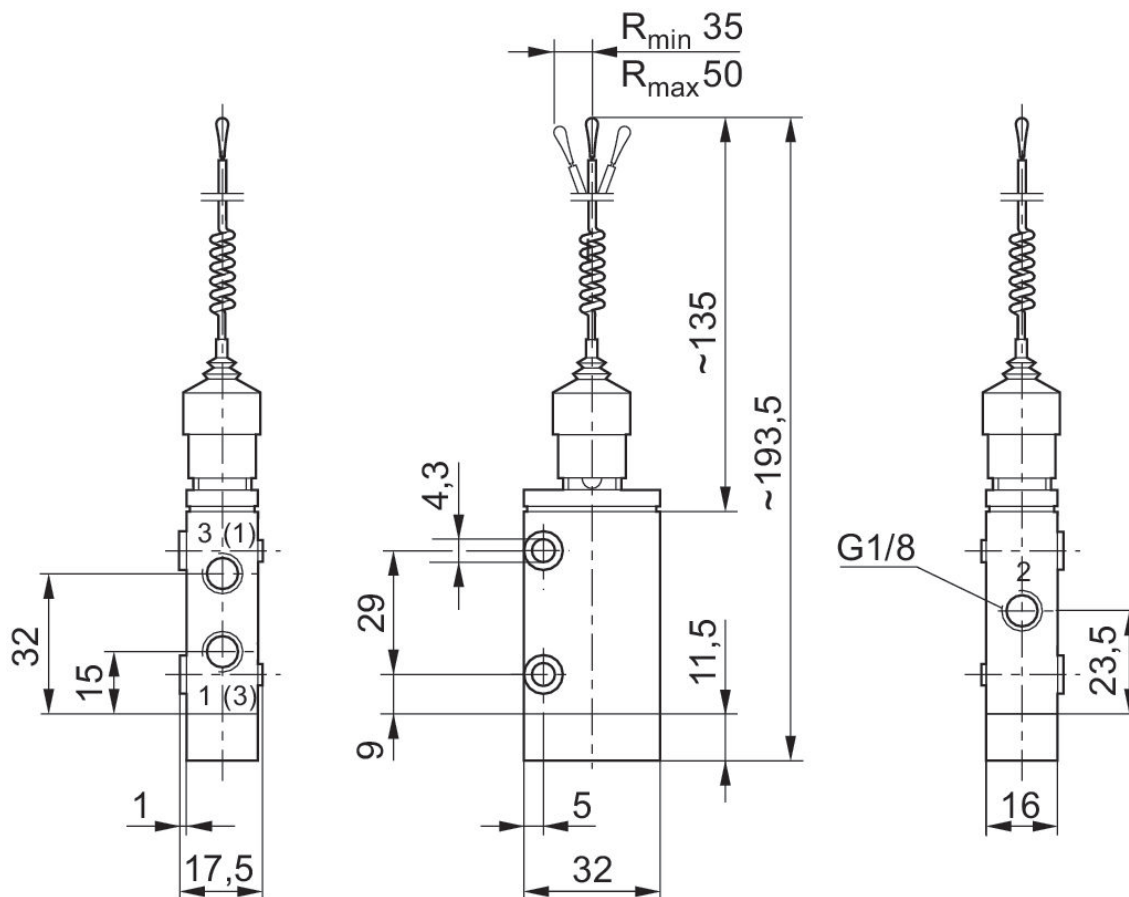
3/2-directional valve, Series ST

: not lockable
 Flow: 280 l/min
 Activation: Mechanical
 Compressed air connection type: Internal thread
 Compressed air connection input: G 1/8
 Compressed air connection output: G 1/8
 Compressed air connection, exhaust: G 1/8
 Ambient temperature min./max.: -15 °C ... 80 °C
 Medium temperature min./max.: -15 °C ... 80 °C
 Working pressure min./max.: 2 bar ... 10 bar



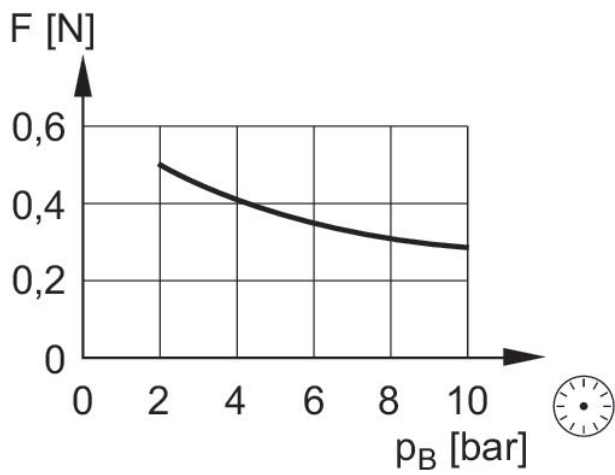
Actuating element	Housing material	Surface housing	Switching principle	Compressed air connection output	Part No.
Spring-loaded rod	Stainless Steel	hardened	3/2, with spring return	G 1/8	0820402023

Dimensions in mm



Mounting via 2 through-holes in housing

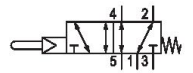
Diagram



F = actuating force at the rear end of the spring-loaded rod
 p_B = Working pressure

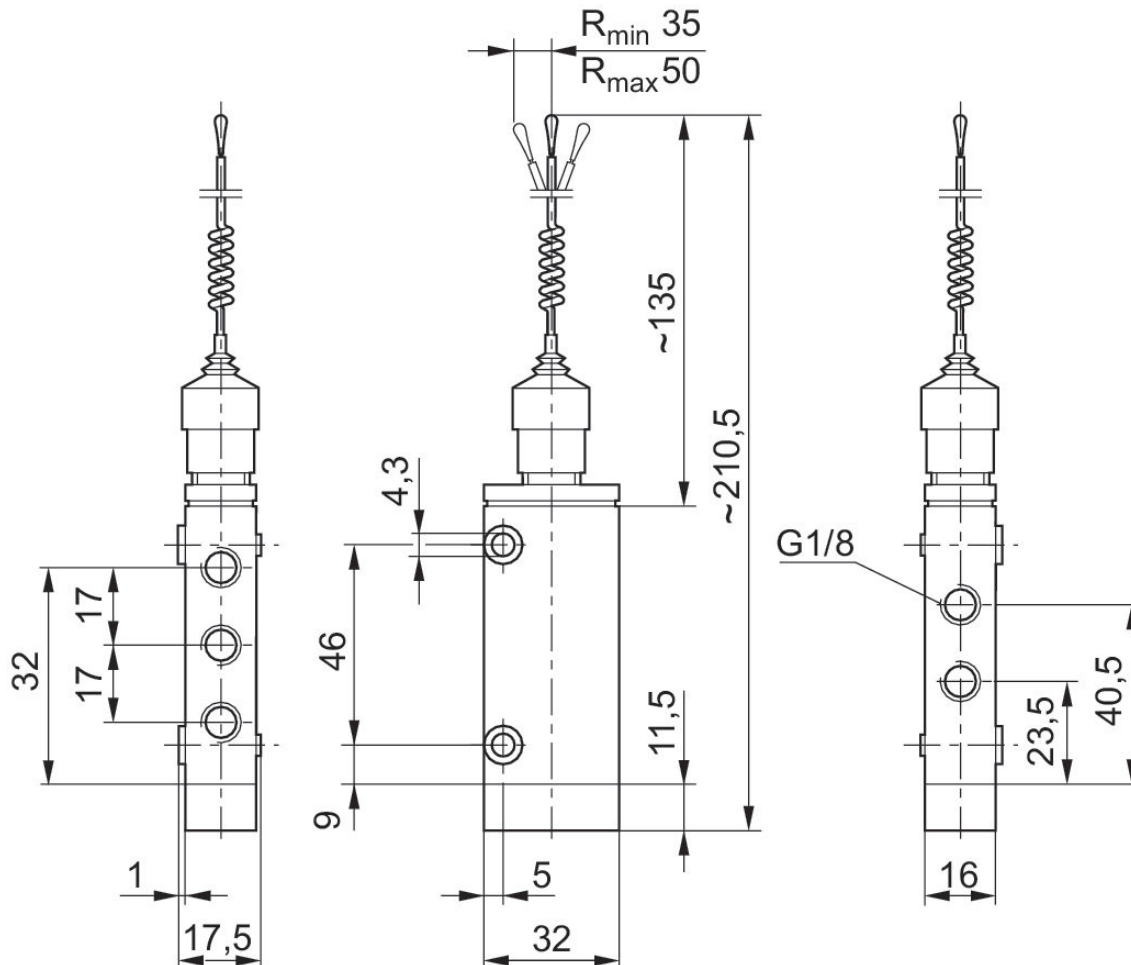
5/2-directional valve, Series ST

: not lockable
 Flow: 280 l/min
 Activation: Mechanical
 Compressed air connection type: Internal thread
 Compressed air connection input: G 1/8
 Compressed air connection output: G 1/8
 Compressed air connection, exhaust: G 1/8
 Ambient temperature min./max.: -15 °C ... 80 °C
 Medium temperature min./max.: -15 °C ... 80 °C
 Working pressure min./max.: 2 bar ... 10 bar



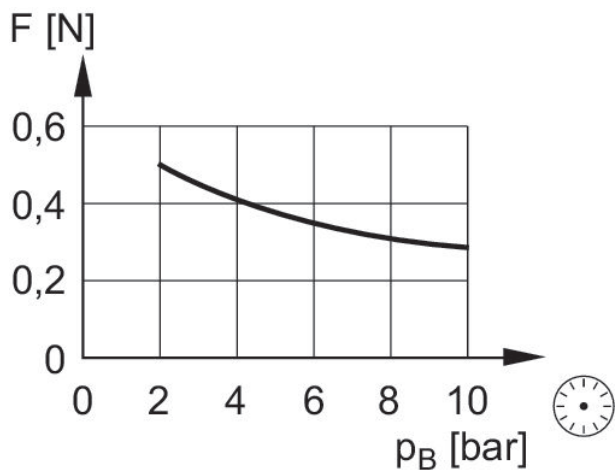
Actuating element	Housing material	Surface housing	Switching principle	Compressed air connection output	Part No.
Spring-loaded rod	Stainless Steel	hardened	5/2, with spring return	G 1/8	0820403023

Dimensions in mm



Mounting via 2 through-holes in housing

Diagram



F = actuating force at the rear end of the spring-loaded rod
 p_B = Working pressure

3/2-directional valve, Series ST

: not lockable

Flow: 280 l/min

Activation: Mechanical

Compressed air connection type: Internal thread

Compressed air connection input: G 1/8

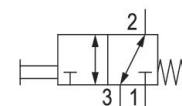
Compressed air connection output: G 1/8

Compressed air connection, exhaust: G 1/8

Ambient temperature min./max.: -15 °C ... 80 °C

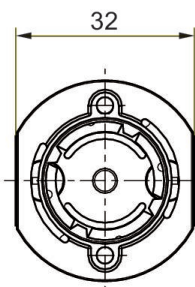
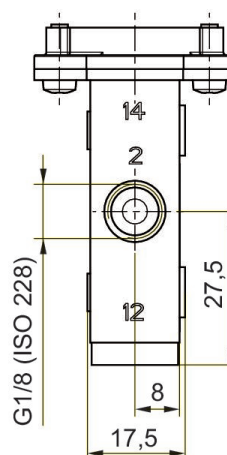
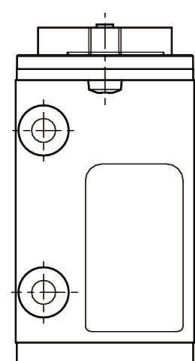
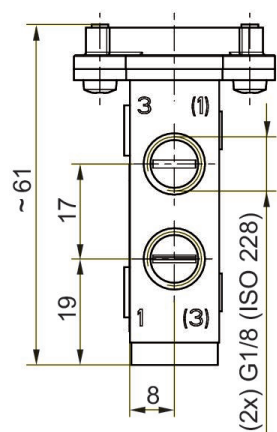
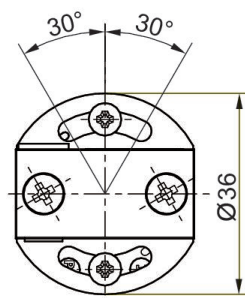
Medium temperature min./max.: -15 °C ... 80 °C

Working pressure min./max.: -0.95 bar ... 10 bar

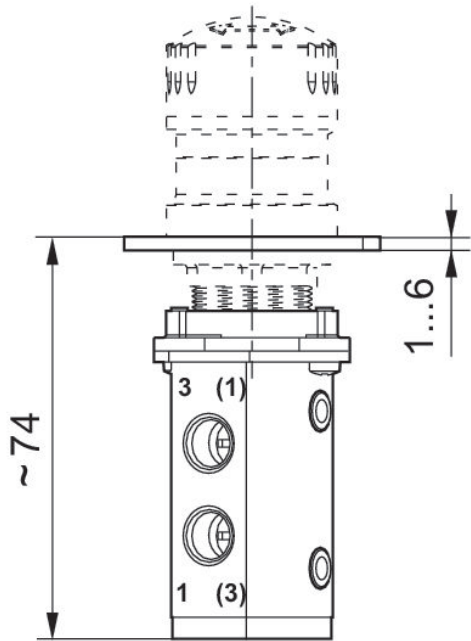


Actuating element	Housing material	Surface housing	Switching principle	Compressed air connection output	Part No.
panel installation	Stainless Steel	hardened	3/2, with spring return	G 1/8	R422002211

Dimensions in mm



Dimensions in mm
Overview drawing



3/2-directional valve, Series ST

: not lockable

Flow: 280 l/min

Activation: Mechanical

Compressed air connection type: Internal thread

Compressed air connection input: G 1/8

Compressed air connection output: G 1/8

Compressed air connection, exhaust: G 1/8

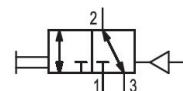
Min. control pressure: 2 bar

Max. control pressure: 10 bar

Ambient temperature min./max.: -15 °C ... 80 °C

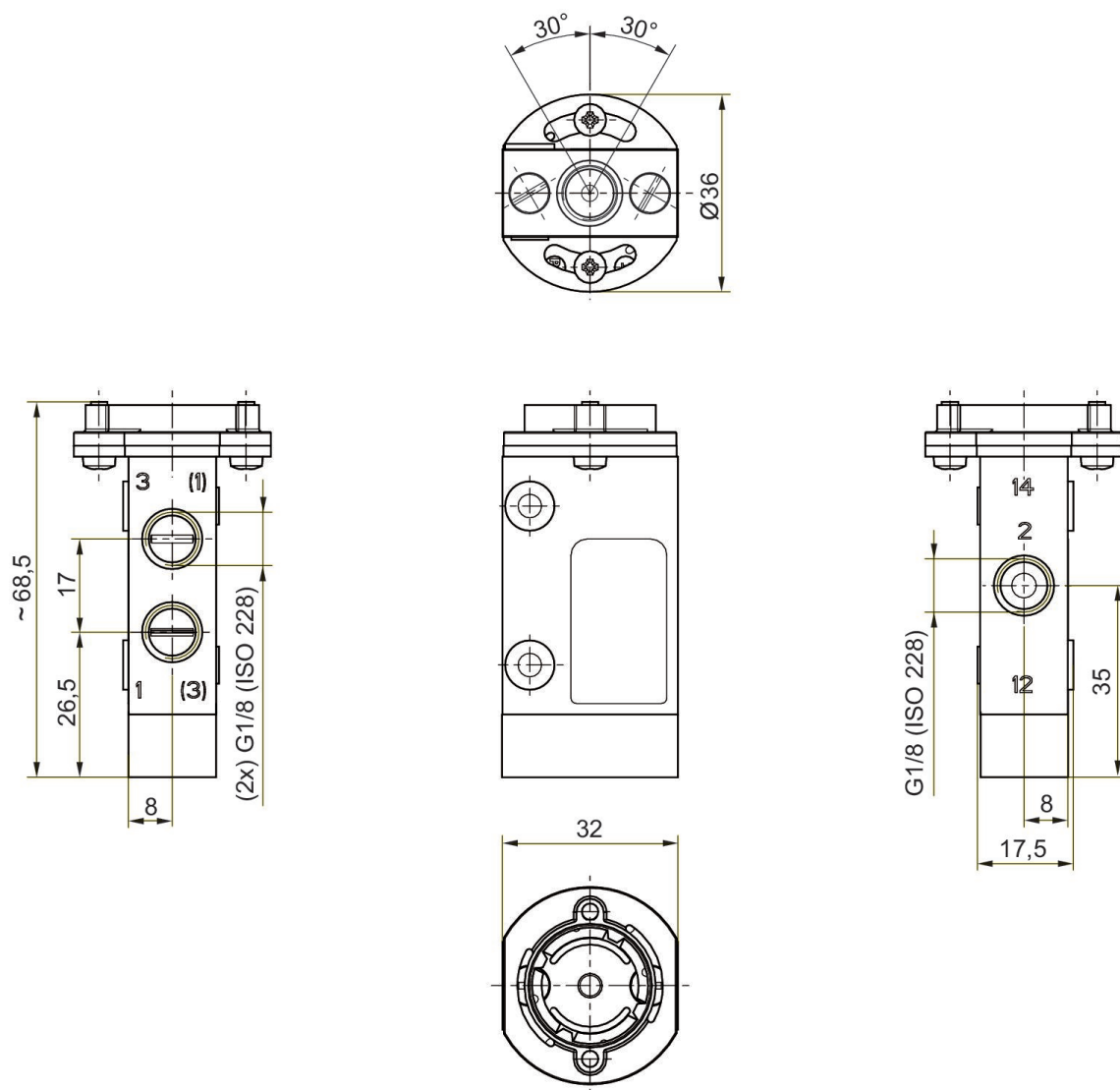
Medium temperature min./max.: -15 °C ... 80 °C

Working pressure min./max.: -0.95 bar ... 10 bar



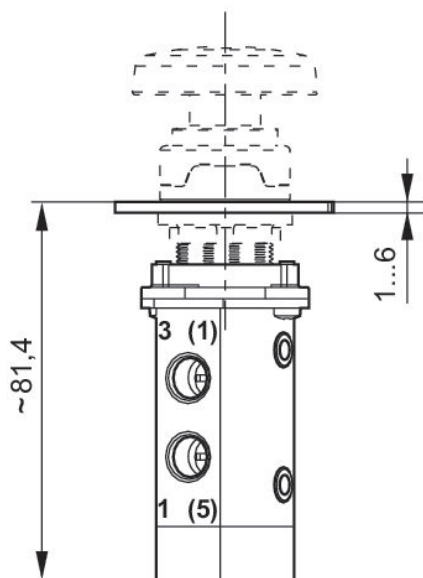
Actuating element	Housing material	Surface housing	Switching principle	Compressed air connection output	Part No.
panel installation	Stainless Steel	hardened	3/2, with pneumatic return	G 1/8	R422002212

Dimensions in mm

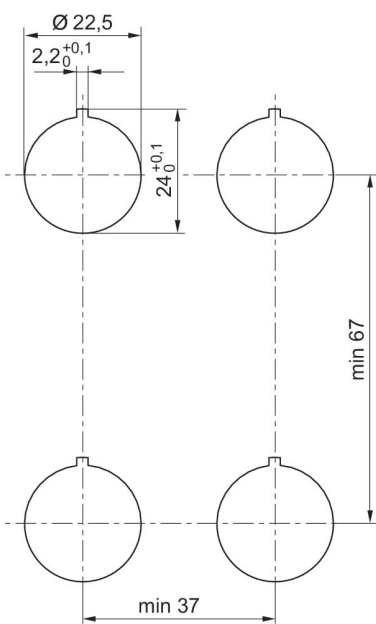


Cannot be combined with mushroom button with detent and rotary release R412012741

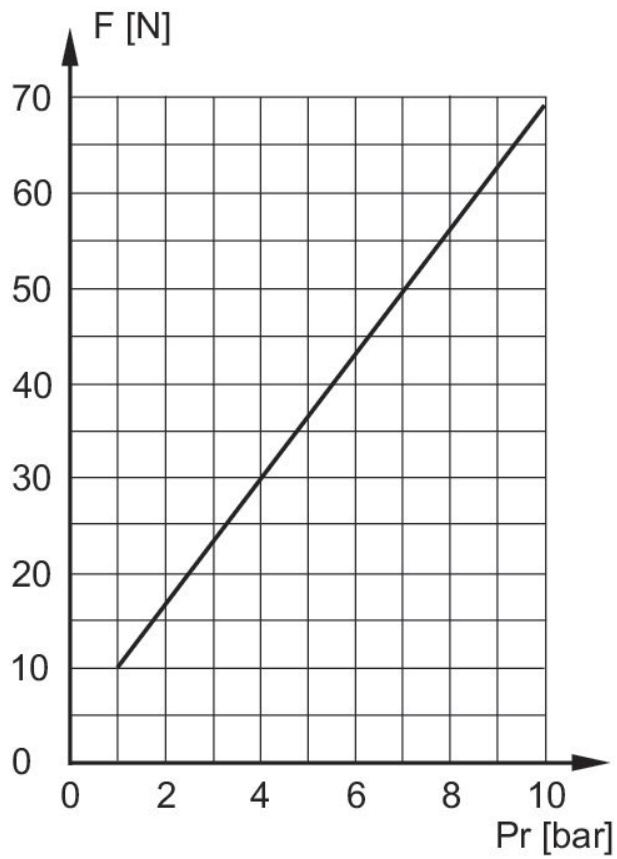
Dimensions in mm



cut-out in the front plate



Actuating force+



F = actuating force
Pr = return pressure

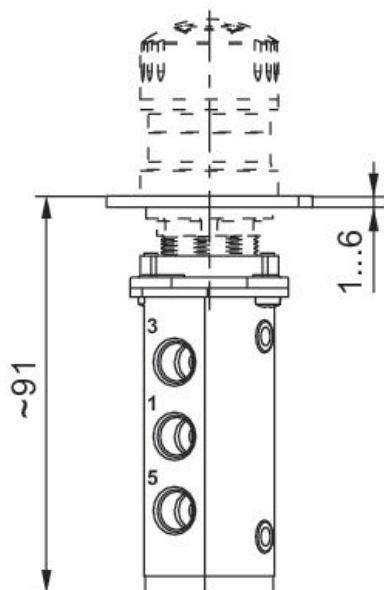
5/2-directional valve, Series ST

: not lockable
 Flow: 280 l/min
 Activation: Mechanical
 Compressed air connection type: Internal thread
 Compressed air connection input: G 1/8
 Compressed air connection output: G 1/8
 Compressed air connection, exhaust: G 1/8
 Ambient temperature min./max.: -15 °C ... 80 °C
 Medium temperature min./max.: -15 °C ... 80 °C
 Working pressure min./max.: -0.95 bar ... 10 bar

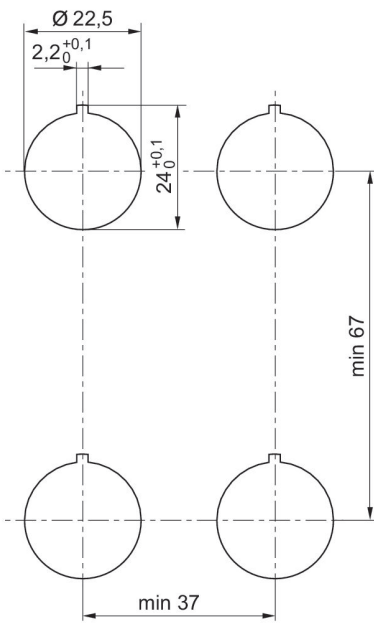


Actuating element	Housing material	Surface housing	Switching principle	Compressed air connection output	Part No.
panel installation	Stainless Steel	hardened	5/2, with spring return	G 1/8	R422002213

Overview drawing



cut-out in the front plate



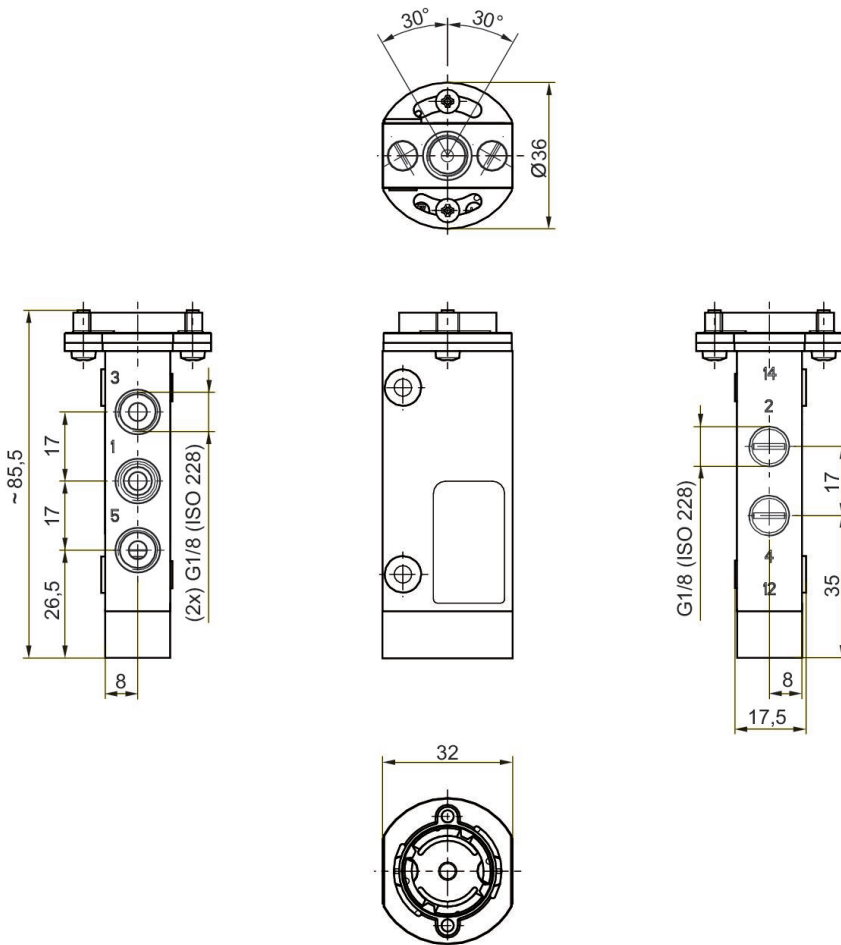
5/2-directional valve, Series ST

: not lockable
 Flow: 280 l/min
 Activation: Mechanical
 Compressed air connection type: Internal thread
 Compressed air connection input: G 1/8
 Compressed air connection output: G 1/8
 Compressed air connection, exhaust: G 1/8
 Min. control pressure: 2 bar
 Max. control pressure: 10 bar
 Ambient temperature min./max.: -15 °C ... 80 °C
 Medium temperature min./max.: -15 °C ... 80 °C
 Working pressure min./max.: -0.95 bar ... 10 bar



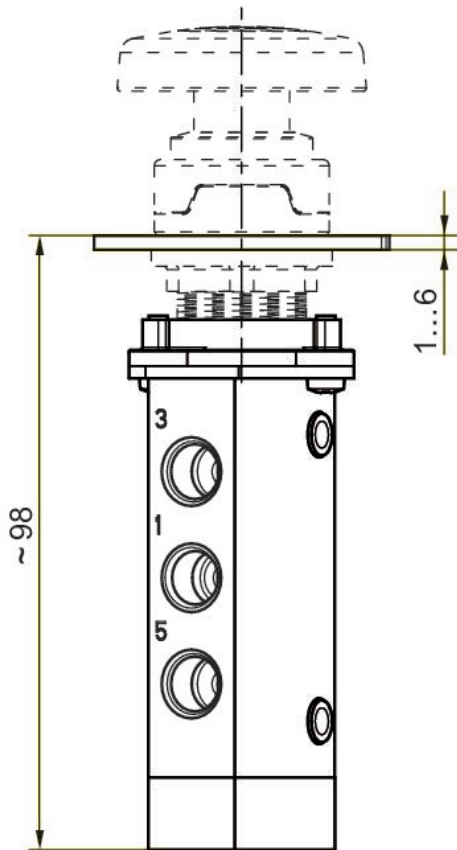
Actuating element	Housing material	Surface housing	Switching principle	Compressed air connection output	Part No.
panel installation	Stainless Steel	hardened	5/2, with air spring return	G 1/8	R422002214

Dimensions in mm

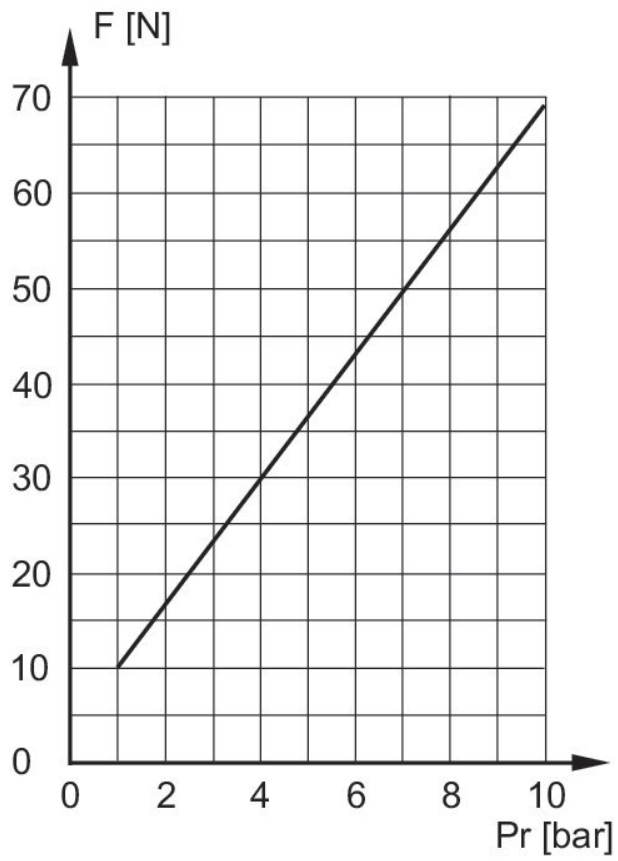


Cannot be combined with mushroom button with detent and rotary release R412012741

Overview drawing



Actuating force+



F = actuating force
Pr = return pressure

Silencers, series SI1, Sintered bronze

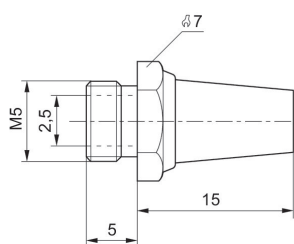
Compressed air connection type: External thread
 Silencer material: Sintered bronze
 Ambient temperature min./max.: -25 °C ... 80 °C
 Working pressure min./max.: 0 bar ... 10 bar



G	Sound pressure level [dB]	Nominal flow [l/min]	Delivery unit [piece]	Weight [kg]	Part No.
M5	72	398	10	0.004	1827000006
G 1/8	75	1623	10	0.01	1827000000
G 1/4	98	5950	10	0.013	R412004817
G 1/4	79	3390	10	0.02	1827000001
G 3/8	84	6554	5	0.05	1827000002
G 1/2	90	7223	2	0.08	1827000003
G 3/4	92	8394	1	0.13	1827000004
G 1	102	12848	1	0.18	1827000005

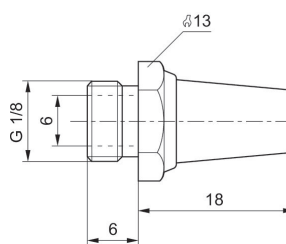
1827000006

Dimensions in mm



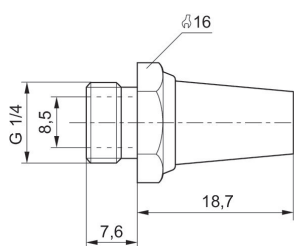
1827000000

Dimensions in mm



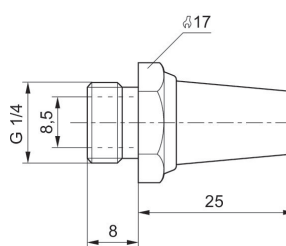
R412004817

Dimensions in mm



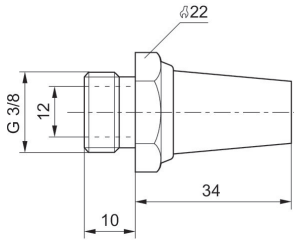
1827000001

Dimensions in mm



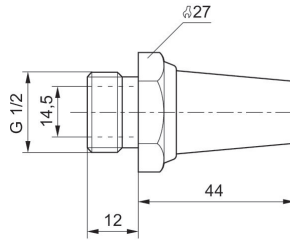
1827000002

Dimensions in mm



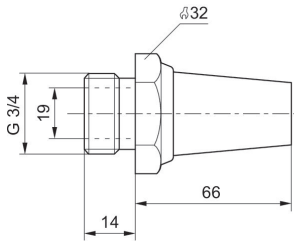
1827000003

Dimensions in mm



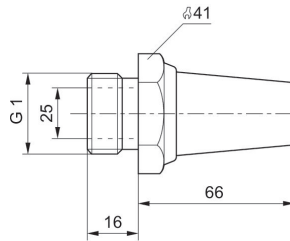
1827000004

Dimensions in mm



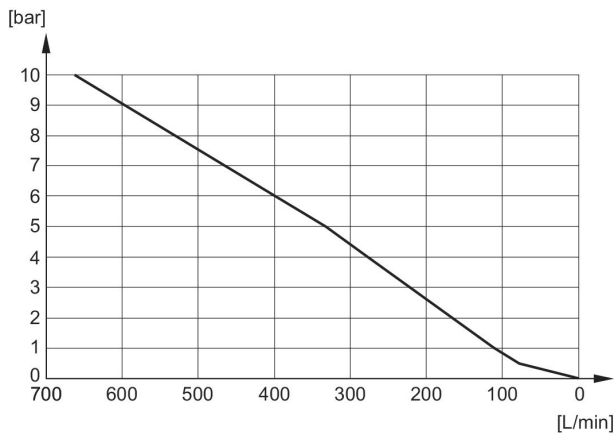
1827000005

Dimensions in mm



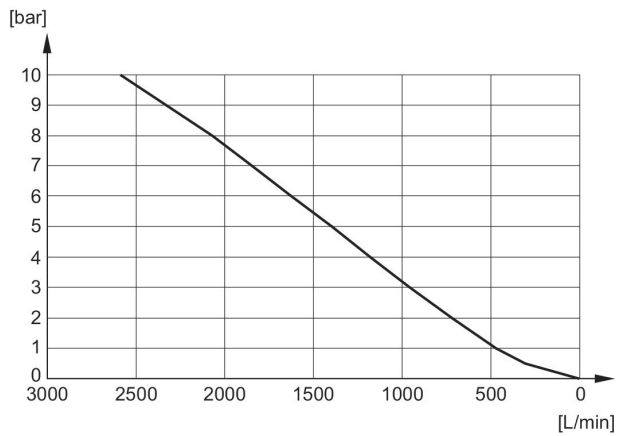
Flow diagram

1827000006



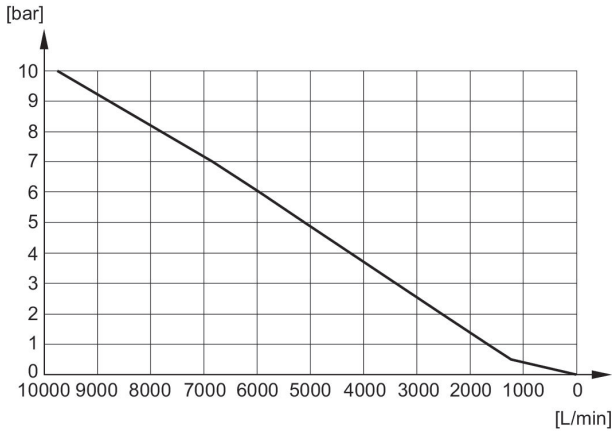
Flow diagram

1827000000



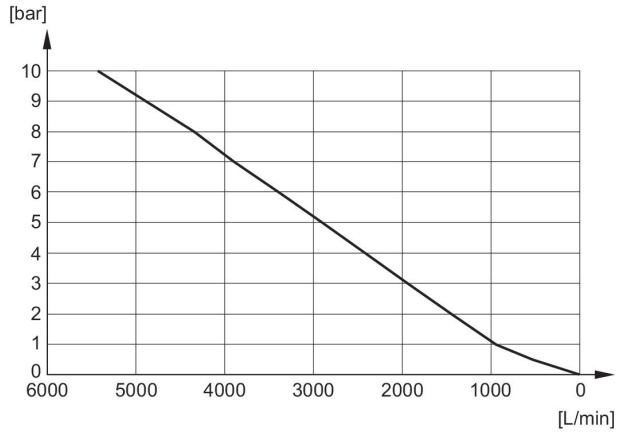
Flow diagram

R412004817



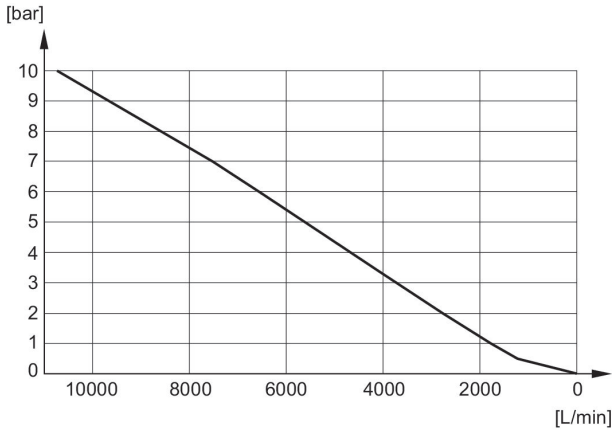
Flow diagram

1827000001



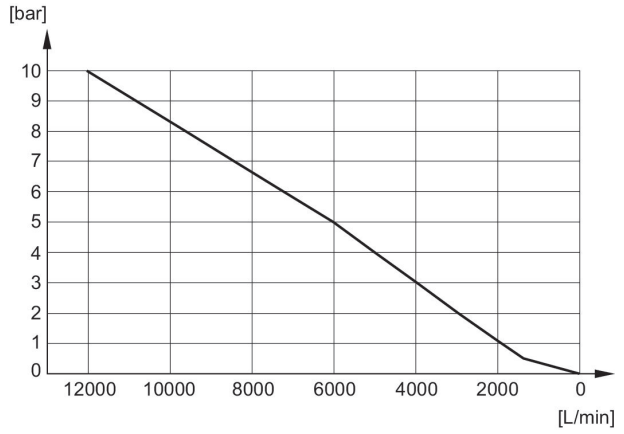
Flow diagram

1827000002



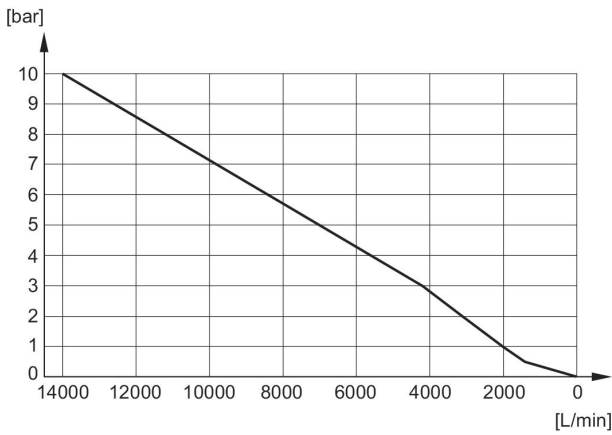
Flow diagram

1827000003



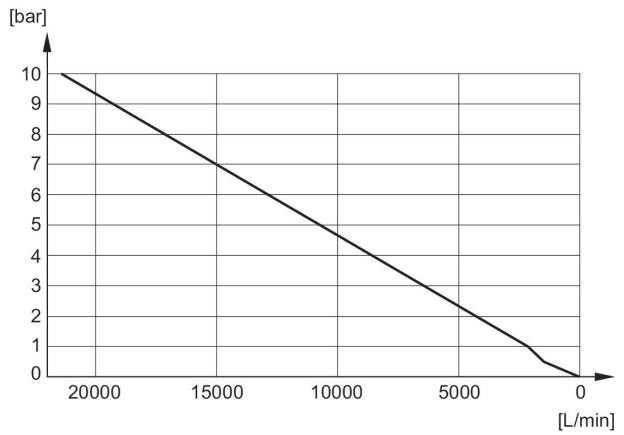
Flow diagram

1827000004



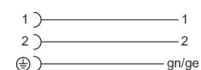
Flow diagram

1827000005



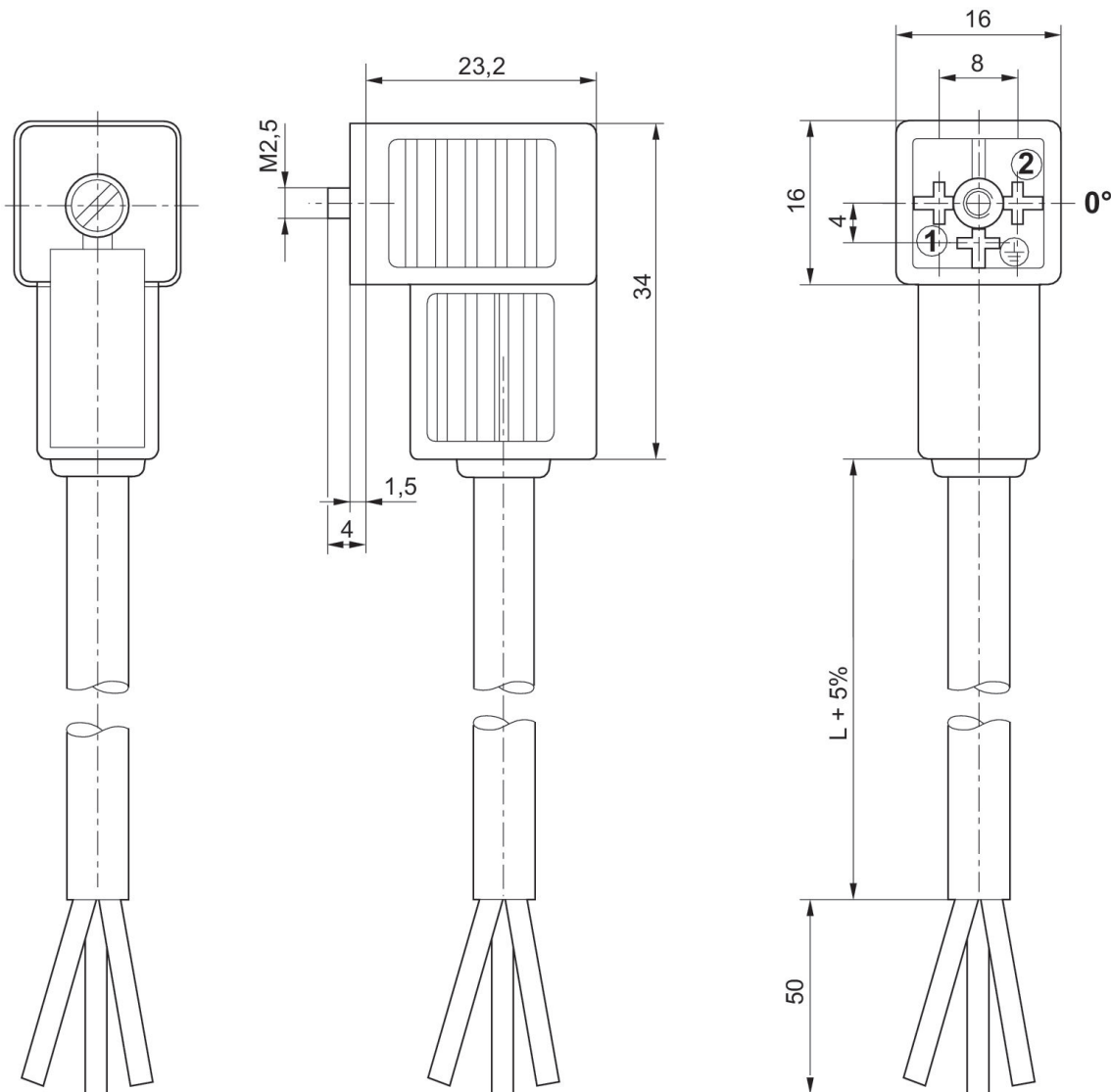
Valve plug connector, series CON-VP, 0° female insert

Electrical connection 1: Socket ... form C ... 2+E
Electrical connection 2: open cable ends ... 3-pin
Ambient temperature min./max.: -20 °C ... 80 °C



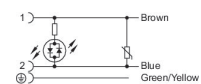
Operational voltage	Max. current [A]	Contact assignment	Cable-Ø [mm]	Cable length [m]	Part No.
230 V AC/DC	6	2+E	5.9	3	1834484212
230 V AC/DC	6	2+E	5.9	5	1834484214

Dimensions



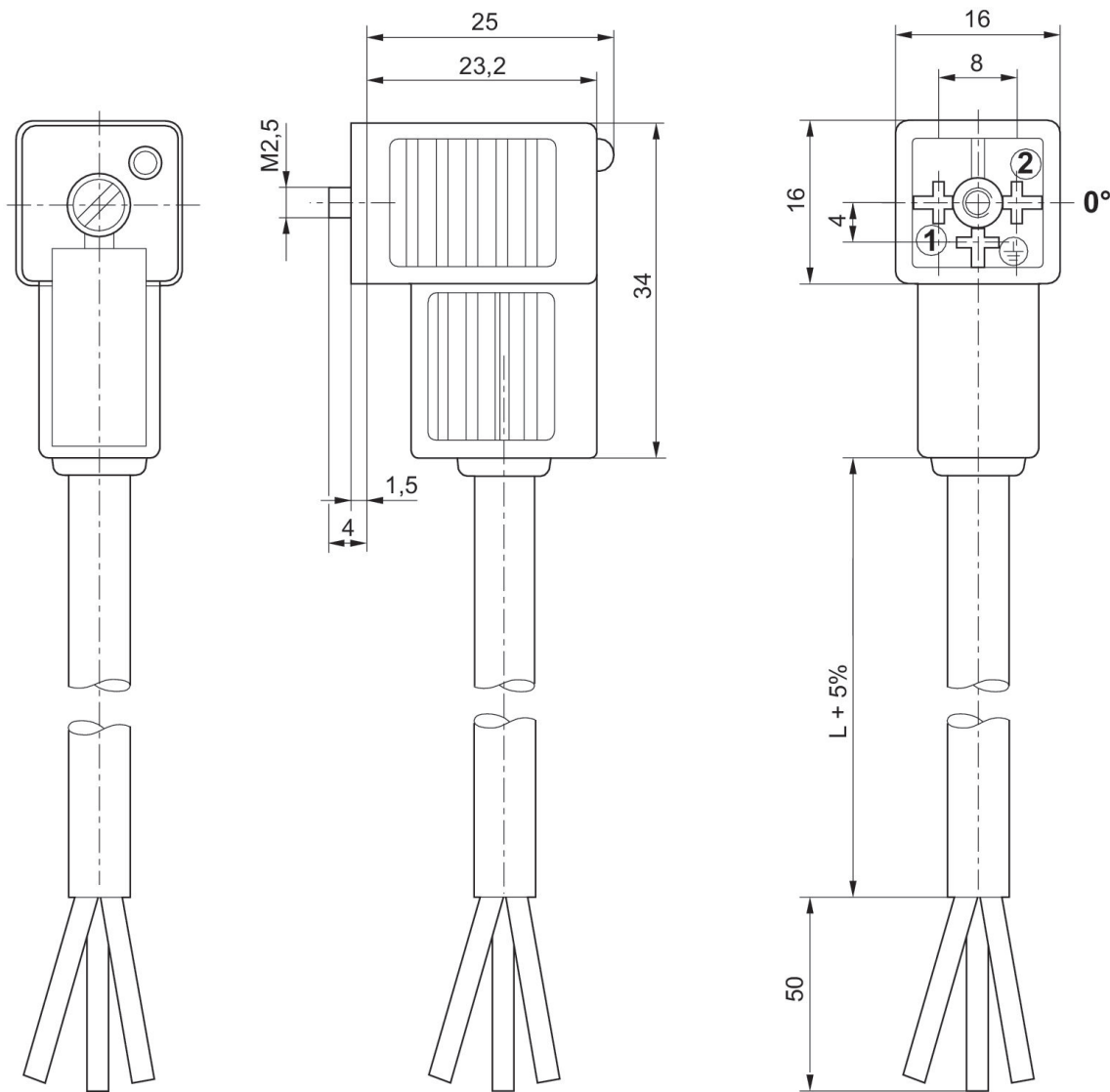
Valve plug connector, series CON-VP, 0° female insert

Electrical connection 1: Socket ... form C ... 2+E
 Electrical connection 2: open cable ends ... 3-pin
 Protective circuit: Varistor
 Ambient temperature min./max.: -20 °C ... 80 °C



Operational voltage	Protective circuit	Max. current [A]	Contact assignment	LED status display	Cable-Ø [mm]	Cable length [m]	Part No.
230 V AC/DC	Varistor	6	2+E	Yellow	5.9	3	1834484208
230 V AC/DC	Varistor	6	2+E	Yellow	5.9	5	1834484210

Dimensions



0° female insert

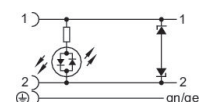
Valve plug connector, series CON-VP, 0° female insert

Electrical connection 1: Socket ... form C ... 2+E

Electrical connection 2: open cable ends ... 3-pin

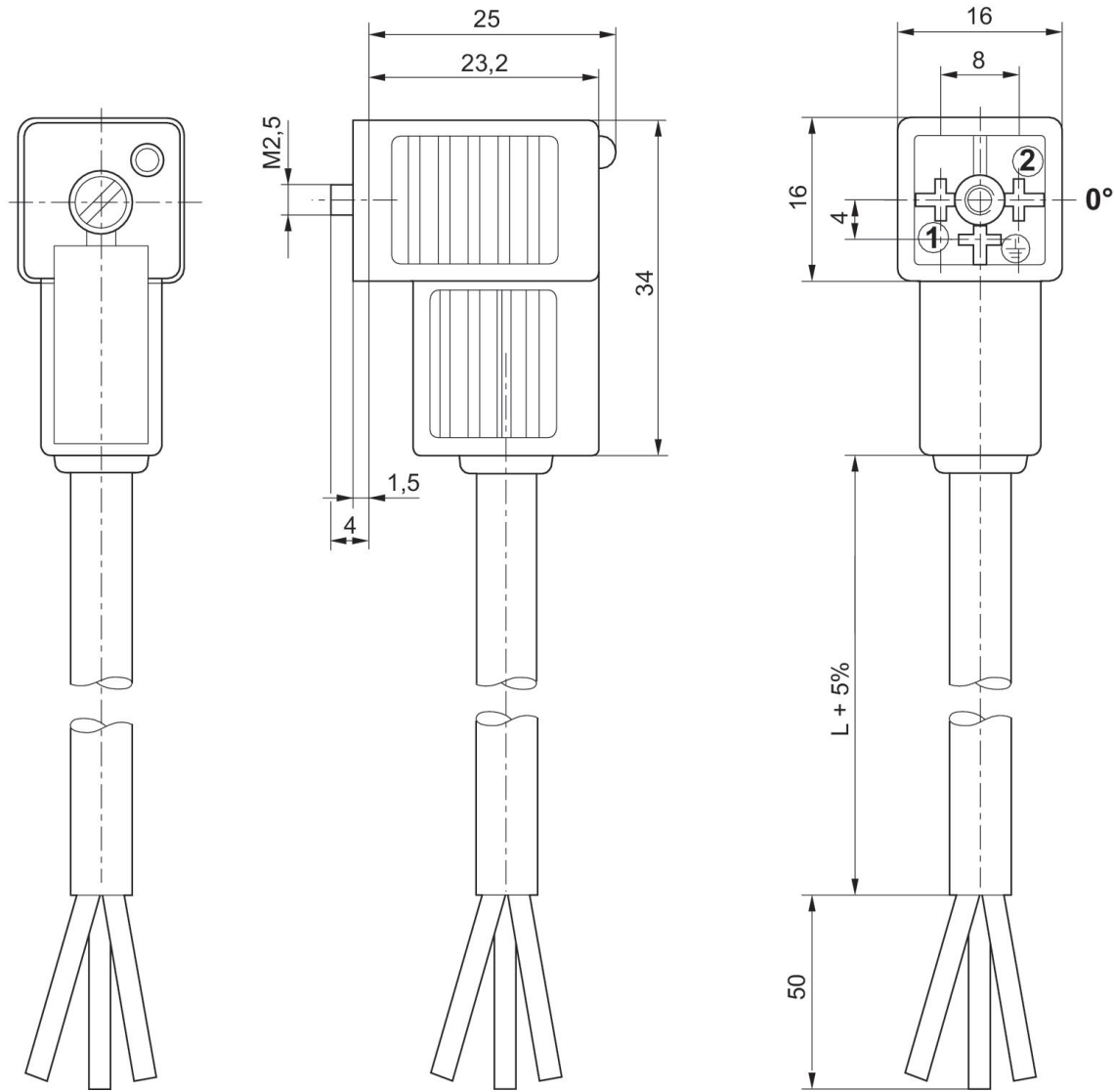
Protective circuit: Z-diode

Ambient temperature min./max.: -20 °C ... 80 °C



Operational voltage	Protective circuit	Max. current [A]	Contact assignment	LED status display	Cable-Ø [mm]	Cable length [m]	Part No.
24 V AC/DC	Z-diode	6	2+E	Yellow	5.9	3	1834484204
24 V AC/DC	Z-diode	6	2+E	Yellow	5.9	5	1834484206

Dimensions



0° female insert

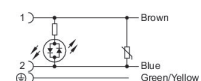
Valve plug connector with cable series CON-VP,, 180° female insert

Electrical connection 1: Socket ... form C ... 2+E

Electrical connection 2: open cable ends ... 3-pin

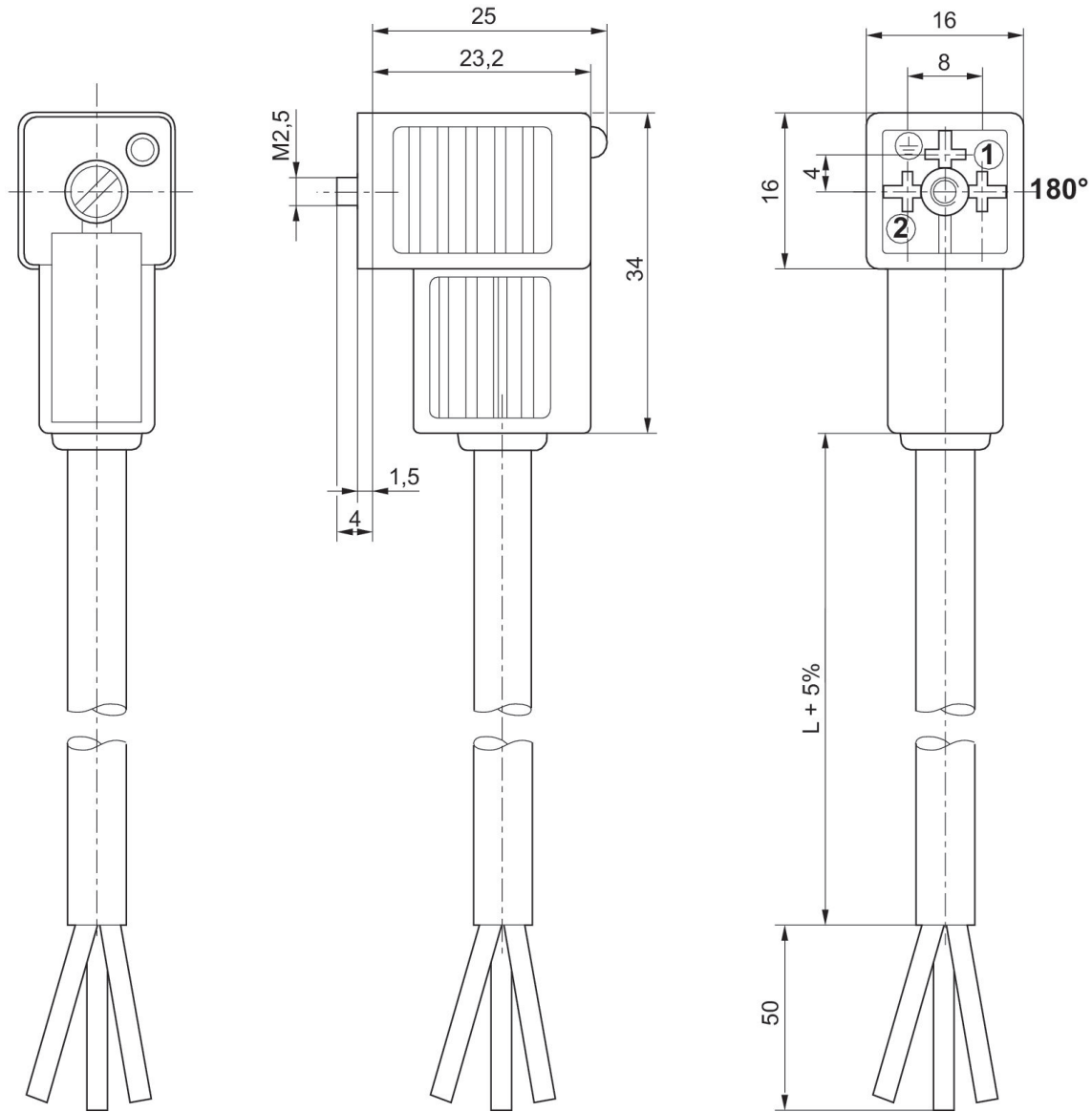
Protective circuit: Varistor

Ambient temperature min./max.: -20 °C ... 80 °C



Operational voltage	Protective circuit	Max. current [A]	Contact assignment	LED status display	Cable-Ø [mm]	Cable length [m]	Part No.
230 V AC/DC	Varistor	6	2+E	Yellow	5.9	3	1834484209
230 V AC/DC	Varistor	6	2+E	Yellow	5.9	5	1834484211

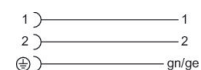
Dimensions



180° female insert

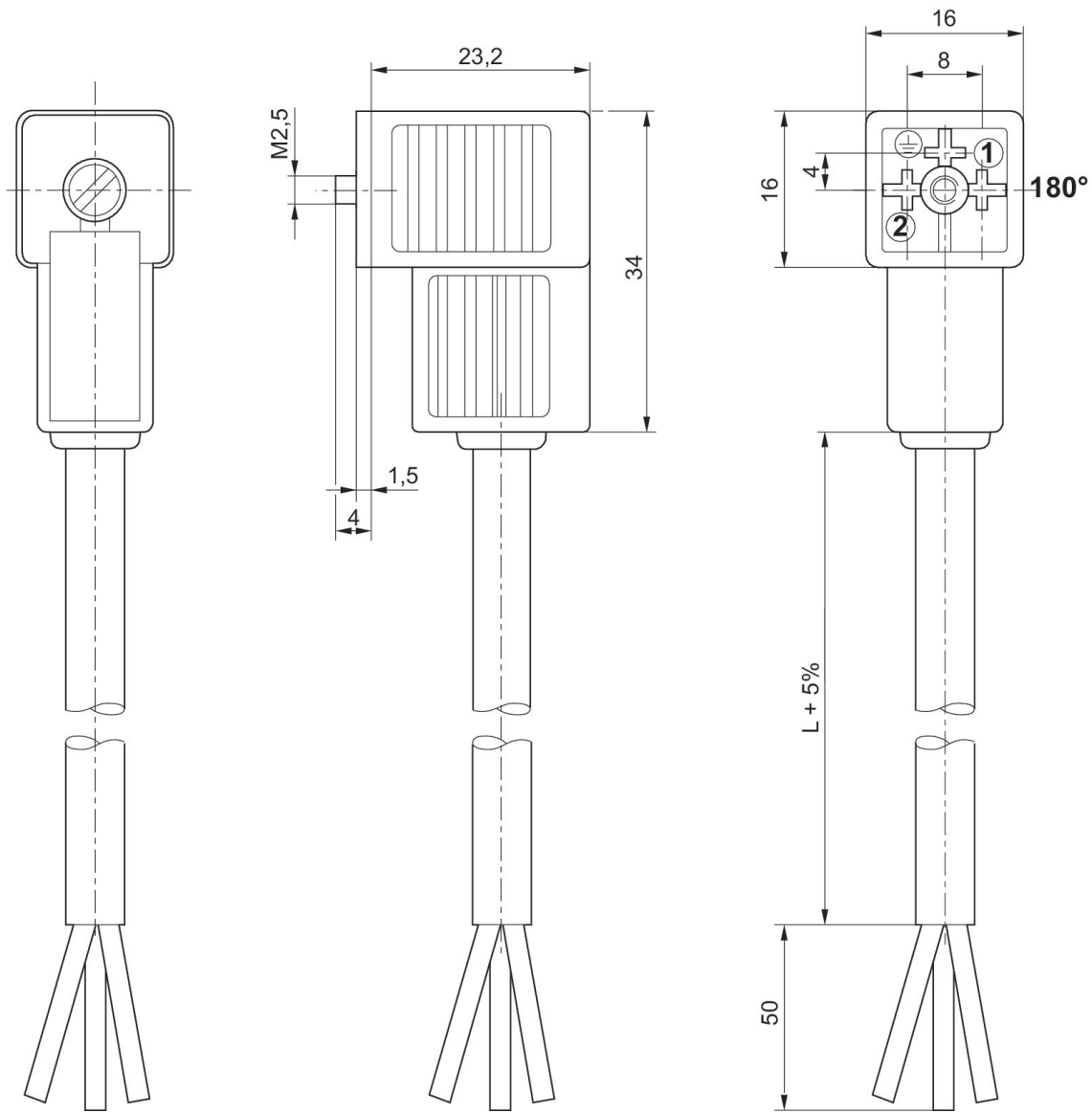
Valve plug connector with cable series CON-VP,, 180° female insert

Electrical connection 1: Socket ... form C ... 2+E
Electrical connection 2: open cable ends ... 3-pin
Ambient temperature min./max.: -20 °C ... 80 °C



Operational voltage	Max. current [A]	Contact assignment	Cable-Ø [mm]	Cable length [m]	Part No.
230 V AC/DC	6	2+E	5.9	3	1834484213
230 V AC/DC	6	2+E	5.9	5	1834484215

Dimensions



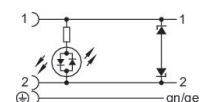
Valve plug connector with cable series CON-VP,, 180° female insert

Electrical connection 1: Socket ... form C ... 2+E

Electrical connection 2: open cable ends ... 3-pin

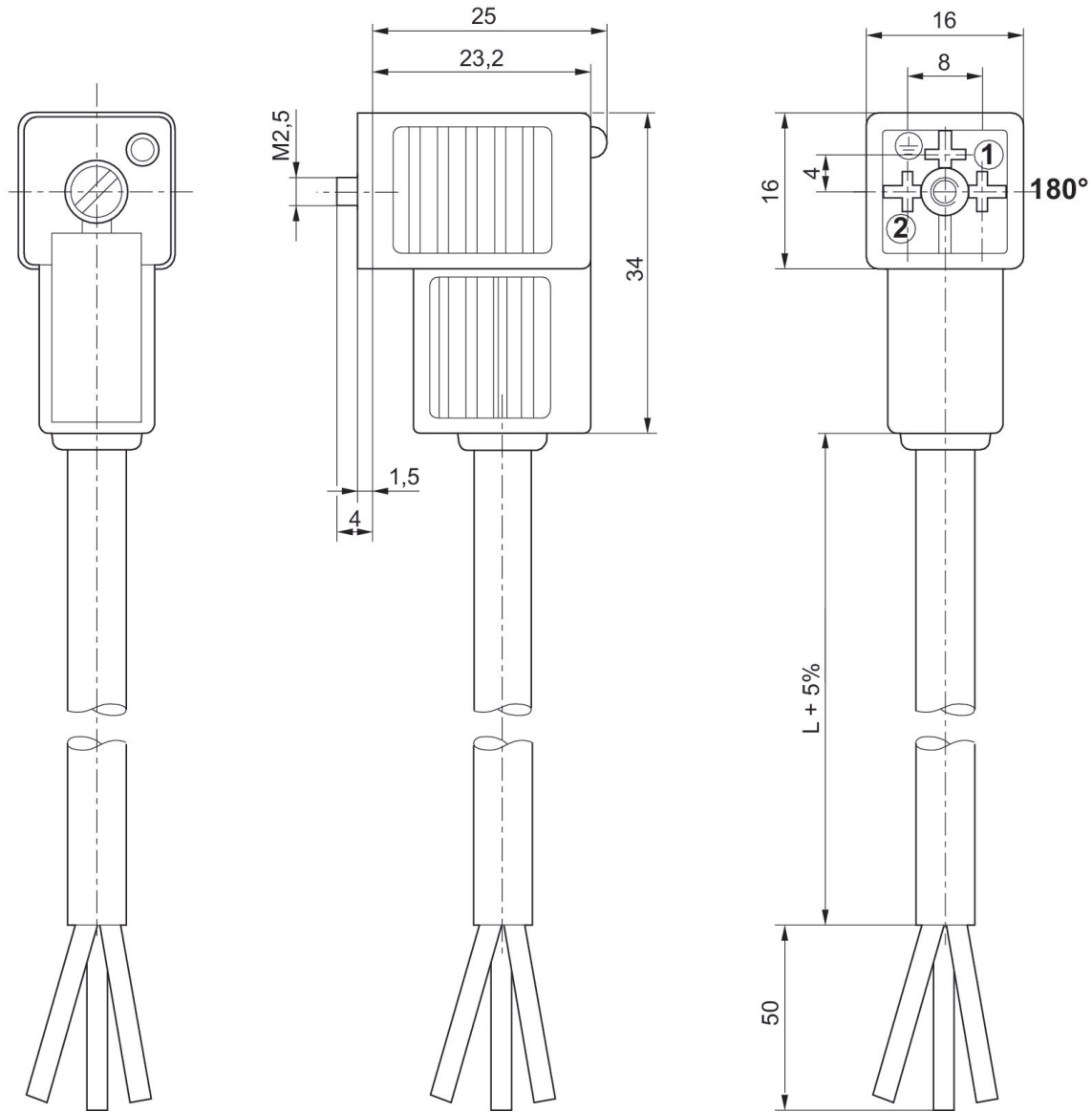
Protective circuit: Z-diode

Ambient temperature min./max.: -20 °C ... 80 °C



Operational voltage	Protective circuit	Max. current [A]	Contact assignment	LED status display	Cable-Ø [mm]	Cable length [m]	Part No.
24 V AC/DC	Z-diode	6	2+E	Yellow	5.9	3	1834484205
24 V AC/DC	Z-diode	6	2+E	Yellow	5.9	5	1834484207
24 V AC/DC	Z-diode	6	2+E	Yellow	5.9	10	1834484236

Dimensions



180° female insert

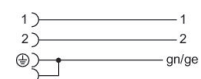
Valve plug connector, series CON-VP

Electrical connection 1: Socket ... form C, industry ... 2+E

Electrical connection 2: open cable ends ... 3-pin

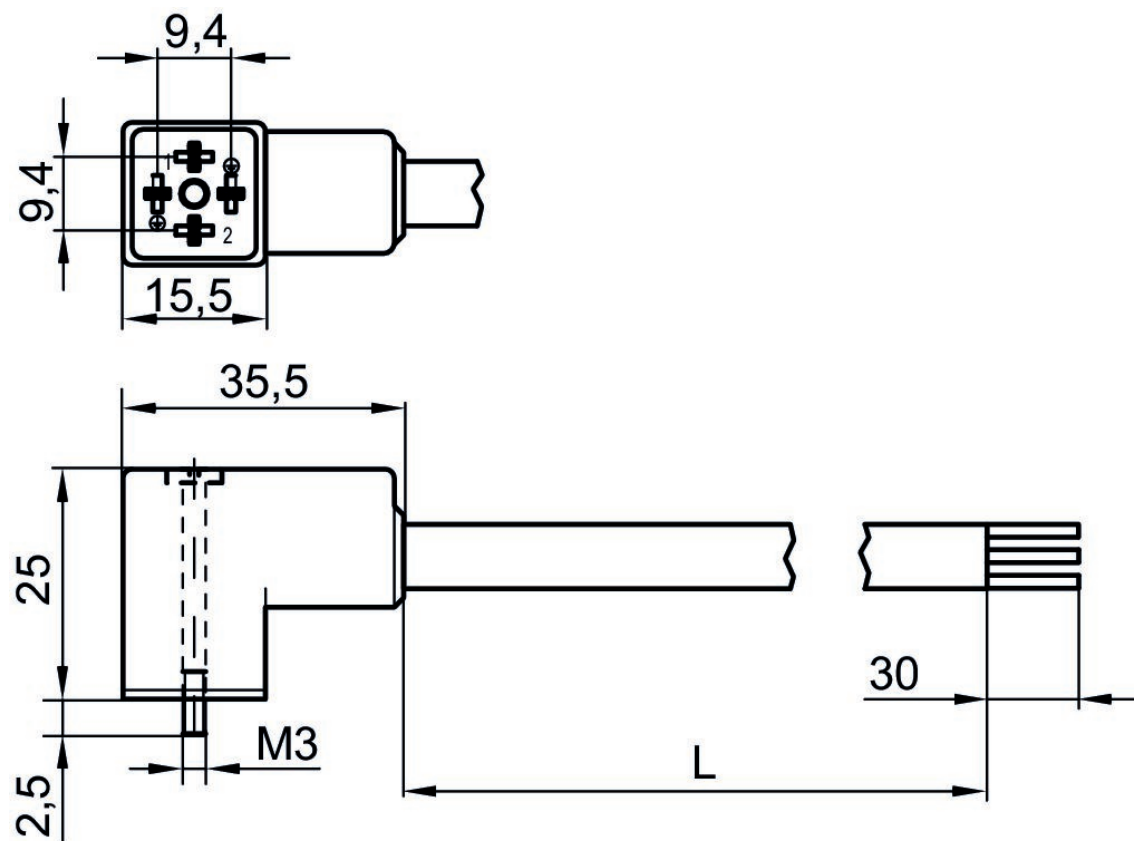
Protective circuit: Varistor

Ambient temperature min./max.: -25 °C ... 90 °C

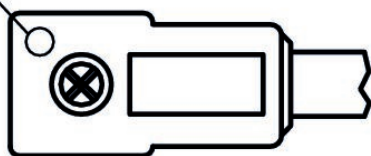


Operational voltage	Protective circuit	Max. current [A]	Contact assignment	LED status display	Cable length [m]	Part No.
24 V AC/DC	Varistor	4	2+E	Yellow	3	R412024833
24 V AC/DC	Varistor	4	2+E	Yellow	5	R412024834
24 V AC/DC	Varistor	4	2+E	Yellow	10	R412024835

Dimensions



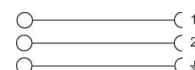
LED



L = length

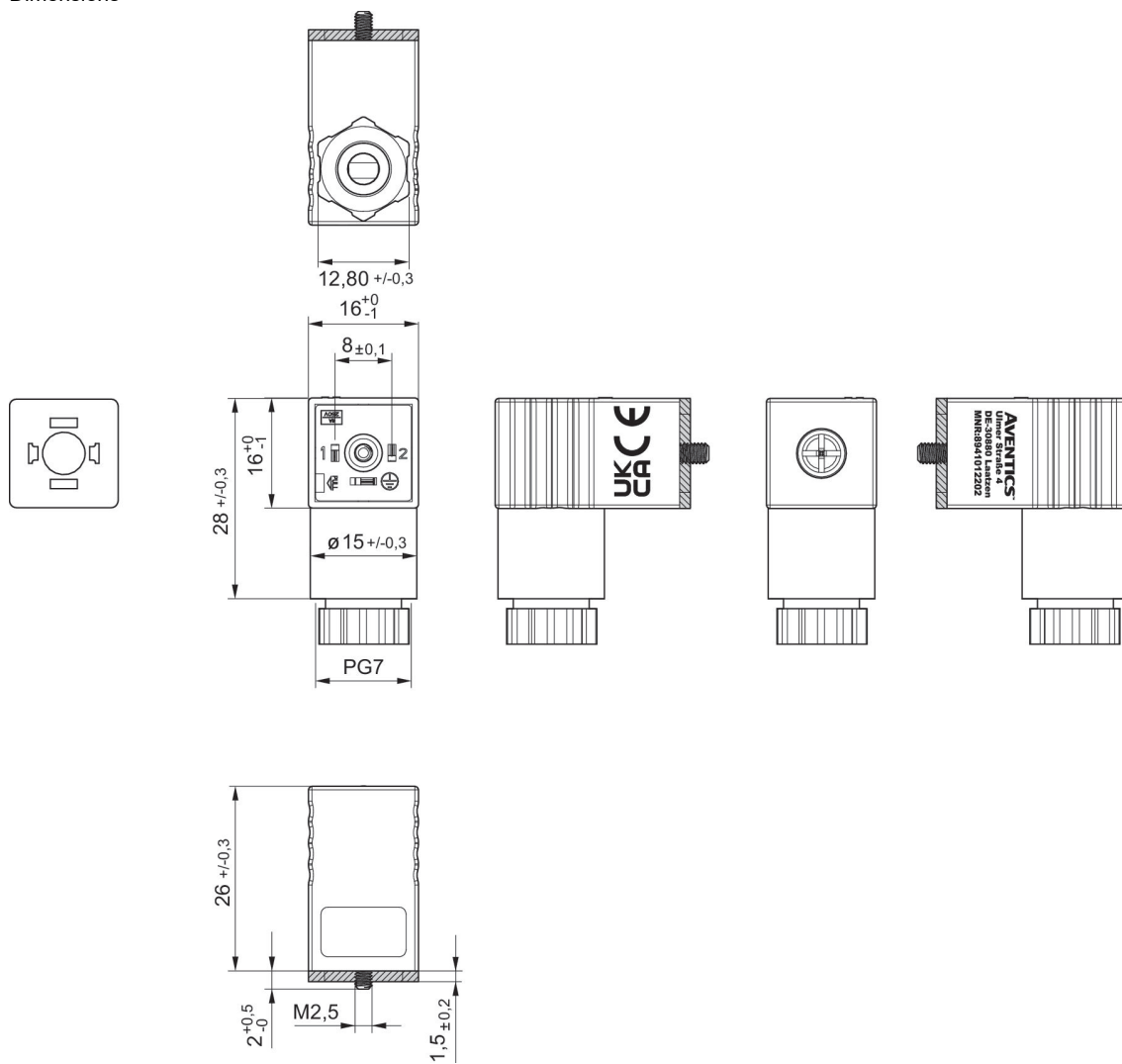
Valve plug connector, series CON-VP, form C, 300 V DC / 250 V AC

Electrical connection 1: EN 175301-803, form C
Ambient temperature min./max.: -40 °C ... 90 °C



	Operational voltage	Protective circuit	Max. current [A]	Contact assignment	LED status display	min. suitable cable Ø [mm]	max. suitable cable Ø [mm]	Part No.
	24 V AC/DC	Varistor	1.5	2+E	Green	4	6	4402050330

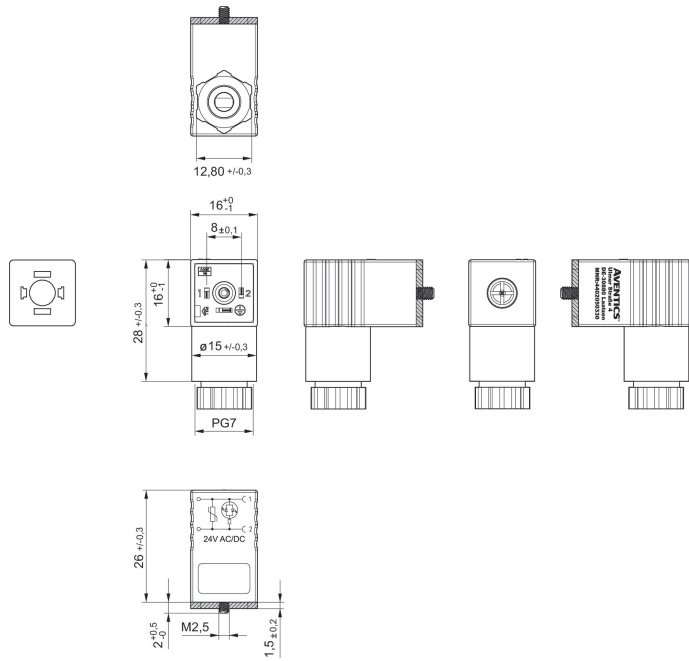
Dimensions



Profile seal

4402050330

Dimensions



Profile seal

3/2-directional valve, Series DO16, 8 mm

Activation: Electrically

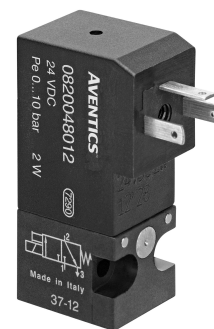
Duty cycle: 100 %

Type: Poppet valve

Ambient temperature min./max.: -10 °C ... 50 °C

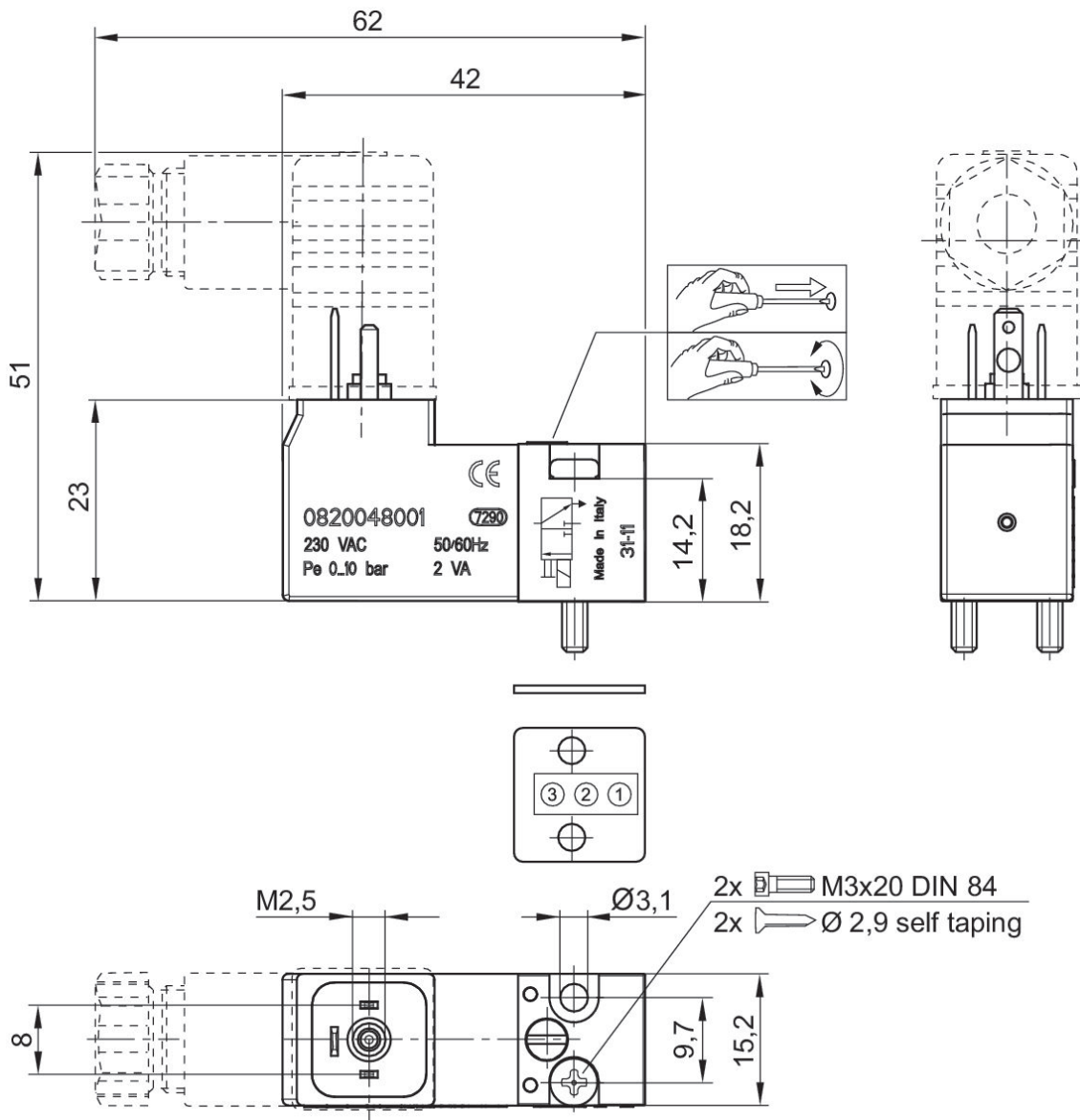
Medium temperature min./max.: -10 °C ... 50 °C

Working pressure min./max.: 0 bar



	Valve function	Switching principle	Operational voltage	Power consumption DC [W]	Voltage tolerance DC	Manual override	Nominal flow Qn 1 to 2 [l/min]	Part No.
	NC	3/2, with spring return	24 V DC	2	-10 % / +15 %	without detent	25	0820048002
	NC	3/2, with spring return	24 V AC			without detent	25	0820048004
	NC	3/2, with spring return	110 V AC			without detent	25	0820048005
	NC	3/2, with spring return	230 V AC			without detent	25	0820048001
	NC	3/2, with spring return	24 V DC	2	-10 % / +15 %	with detent	25	0820048026
	NC	3/2, with spring return	24 V AC			with detent	25	0820048028
	NO	3/2, with spring return	230 V AC			without detent	16	0820048101
	NC	3/2, with spring return	110 V AC			with detent	25	0820048029
	NC	3/2, with spring return	230 V AC			with detent	25	0820048025
	NO	3/2, with spring return	24 V DC	2	-10 % / +15 %	without detent	20	0820048102
	NO	3/2, with spring return	24 V DC	2	-10 % / +15 %	with detent	20	0820048126

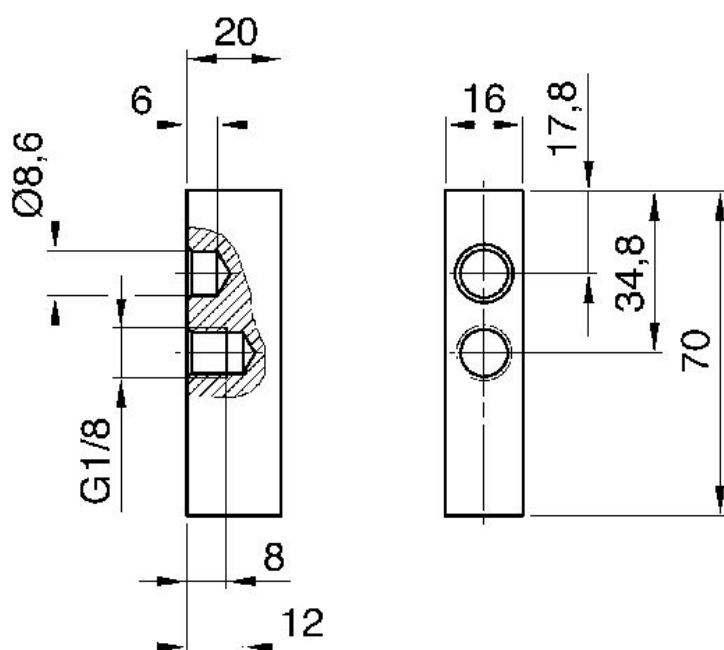
Dimensions



Blanking plate



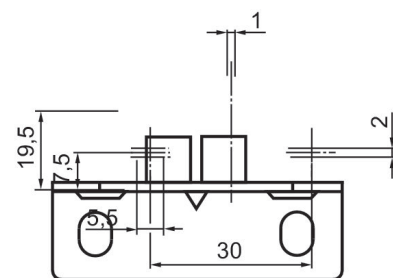
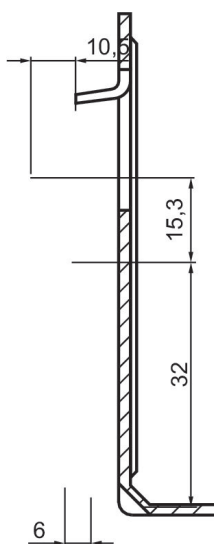
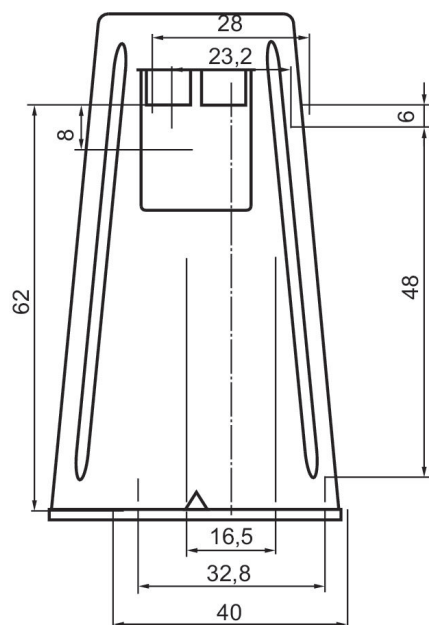
Weight [kg]	Part No.
0.06	1825503200



Mounting bracket



Weight [kg]	Material	Part No.
0.04	Steel, chrome-plated	1821332041

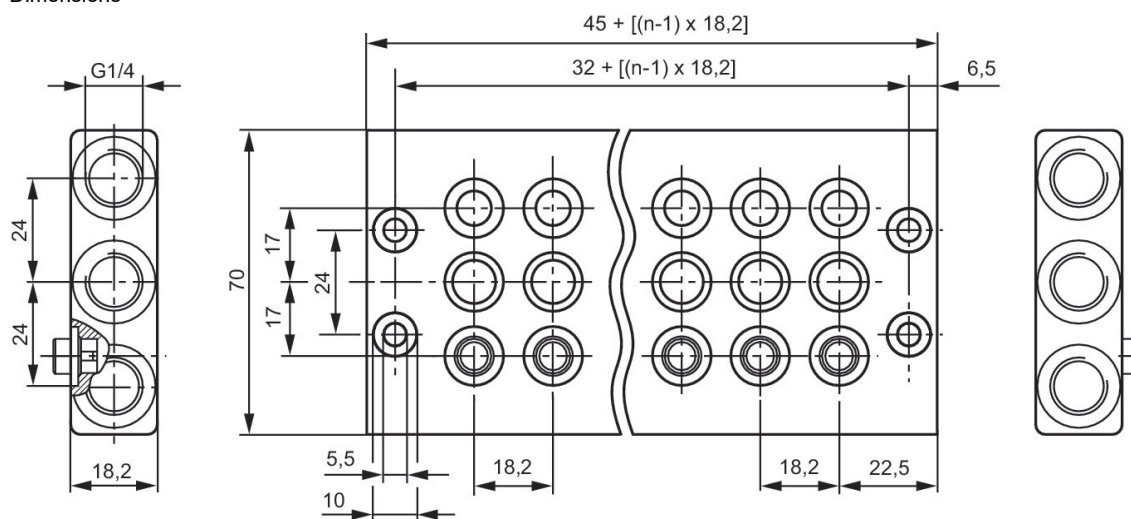


Manifold block



Compressed air connection input	Compressed air connection, exhaust	Max. number of valve positions	Part No.
G 1/4	G 1/4	2	1825503182
G 1/4	G 1/4	3	1825503183
G 1/4	G 1/4	4	1825503184
G 1/4	G 1/4	5	1825503185
G 1/4	G 1/4	6	1825503186
G 1/4	G 1/4	7	1825503187
G 1/4	G 1/4	8	1825503188
G 1/4	G 1/4	9	1825503189
G 1/4	G 1/4	10	1825503190

Dimensions

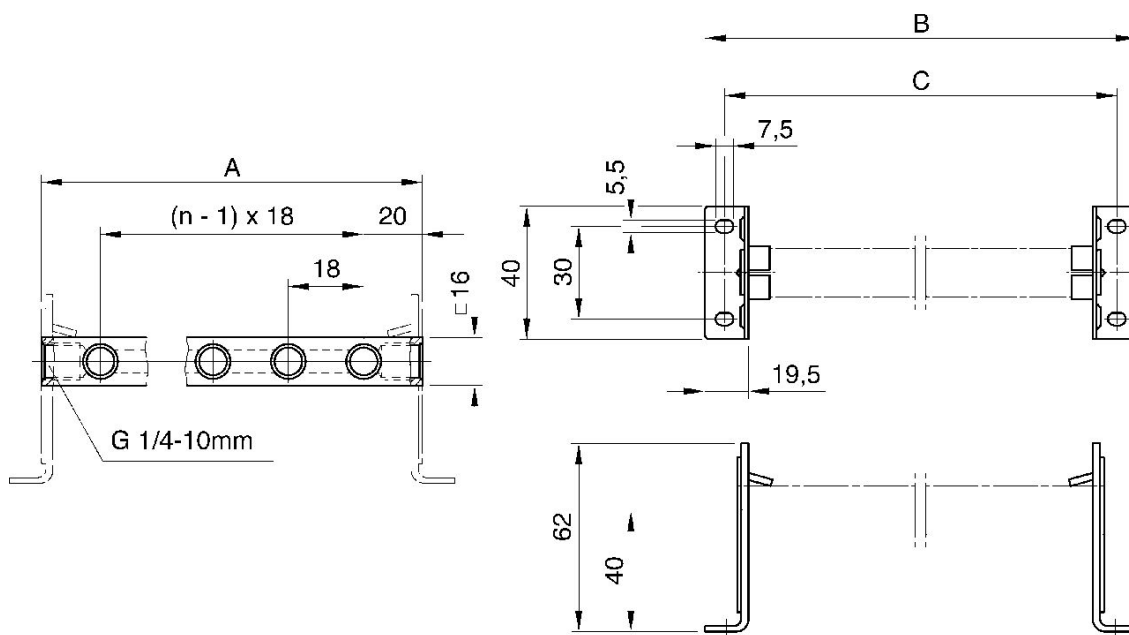


n = number of valve positions

Manifold strip

Compressed air connection input	Max. number of valve positions	Part No.
G 1/4	2	1823390016
G 1/4	3	1823390017
G 1/4	4	1823390018
G 1/4	5	1823390019
G 1/4	6	1823390020
G 1/4	7	1823390021
G 1/4	8	1823390022
G 1/4	9	1823390023
G 1/4	10	1823390024
G 1/4	11	1823390025
G 1/4	12	1823390026

Dimensions



Part No.	A	B	C
1823390016	58	93	78
1823390017	76	111	96
1823390018	94	129	114
1823390019	112	147	132
1823390020	130	165	150
1823390021	148	183	168
1823390022	166	201	186
1823390023	184	219	204
1823390024	202	237	222
1823390025	220	255	240
1823390026	238	276	258

n = number of valve positions

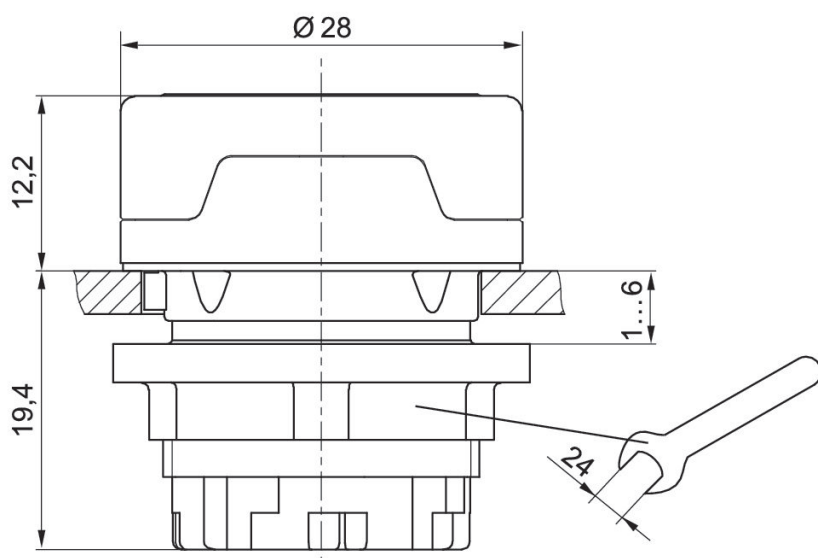
Actuating controls for AP/ST series control panel valves

Ambient temperature min./max.: -30 °C ... 70 °C



Type	Color	Part No.
Push button	Green	R412012737

Dimensions in mm



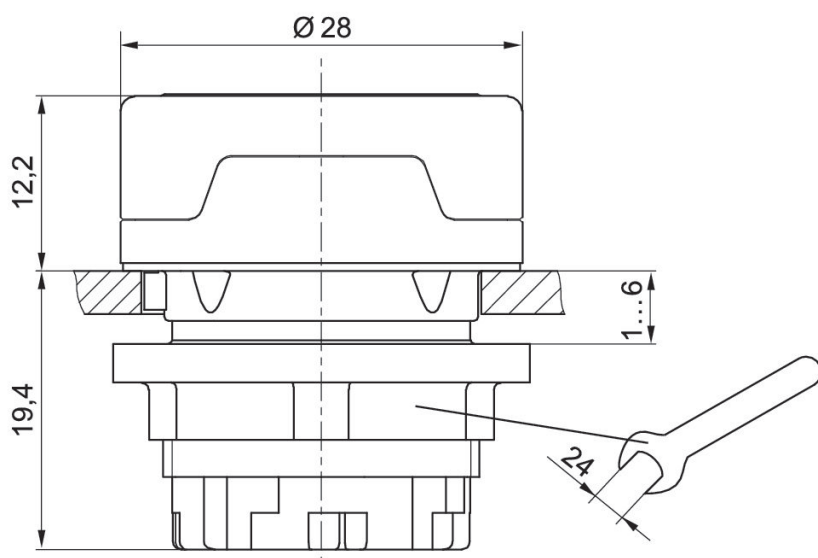
Actuating controls for AP/ST series control panel valves

Ambient temperature min./max.: -30 °C ... 70 °C



Type	Color	Part No.
Push button	Red	R412012734

Dimensions in mm



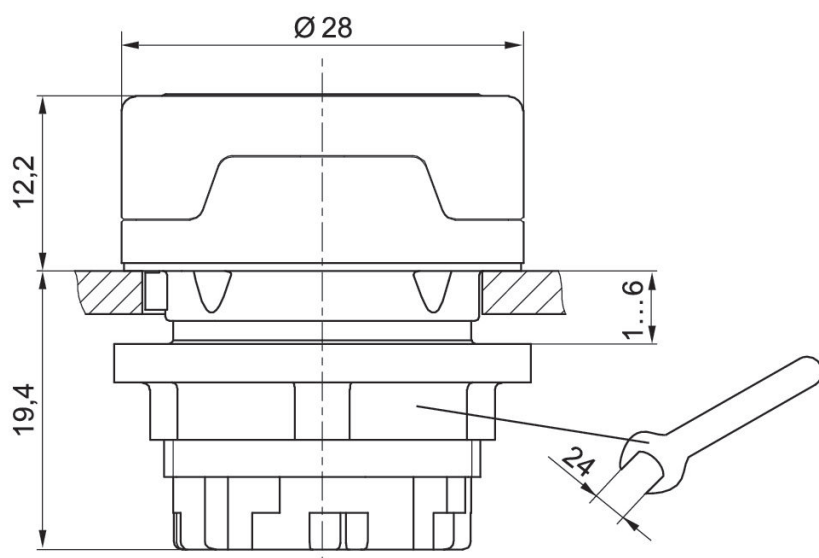
Actuating controls for AP/ST series control panel valves

Ambient temperature min./max.: -30 °C ... 70 °C



Type	Color	Part No.
Push button	Black	R412012735

Dimensions in mm



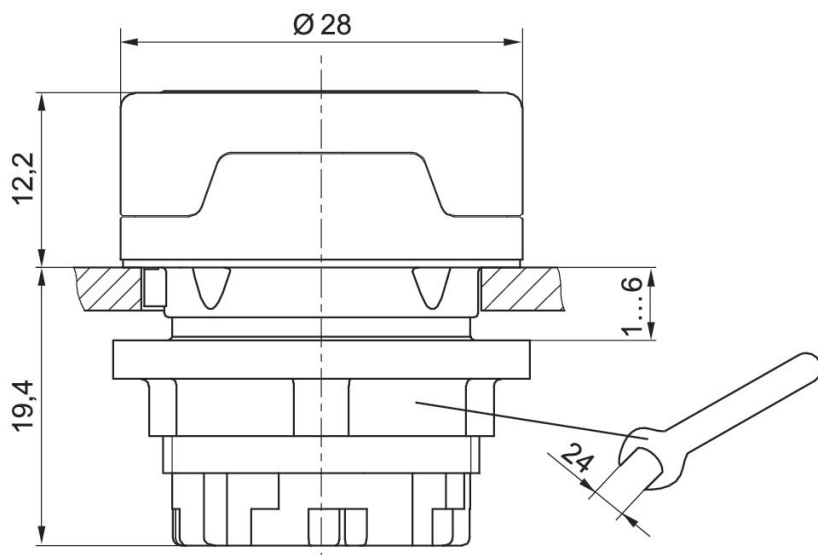
Actuating controls for AP/ST series control panel valves

Ambient temperature min./max.: -30 °C ... 70 °C



Type	Color	Part No.
Push button	Yellow	R412012736

Dimensions in mm



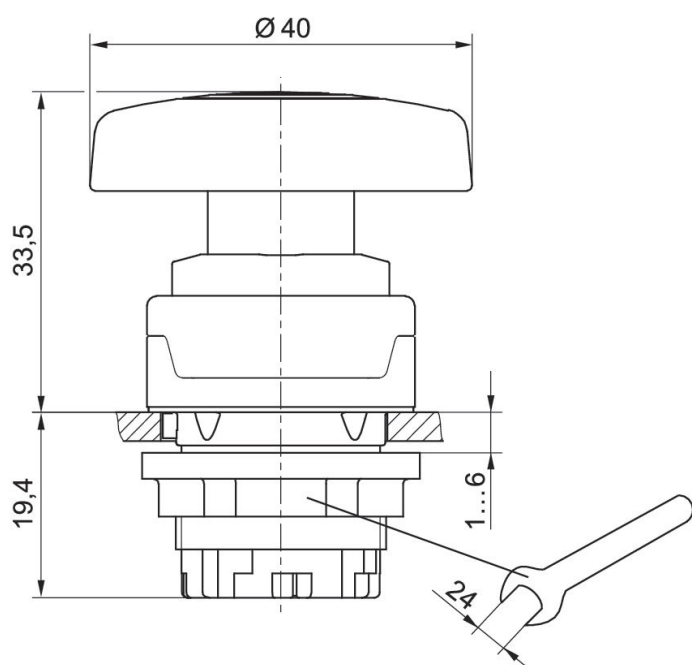
Actuating controls for AP/ST series control panel valves

Ambient temperature min./max.: -30 °C ... 70 °C



Type	Color	Part No.
Mushroom button	Red	R412012738

Dimensions in mm



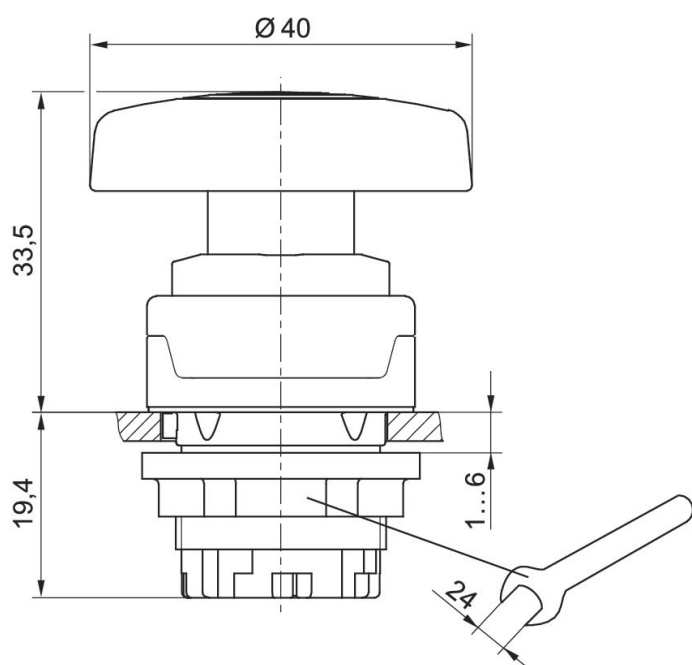
Actuating controls for AP/ST series control panel valves

Ambient temperature min./max.: -30 °C ... 70 °C



Type	Color	Part No.
Mushroom button	Green	R412012739

Dimensions in mm



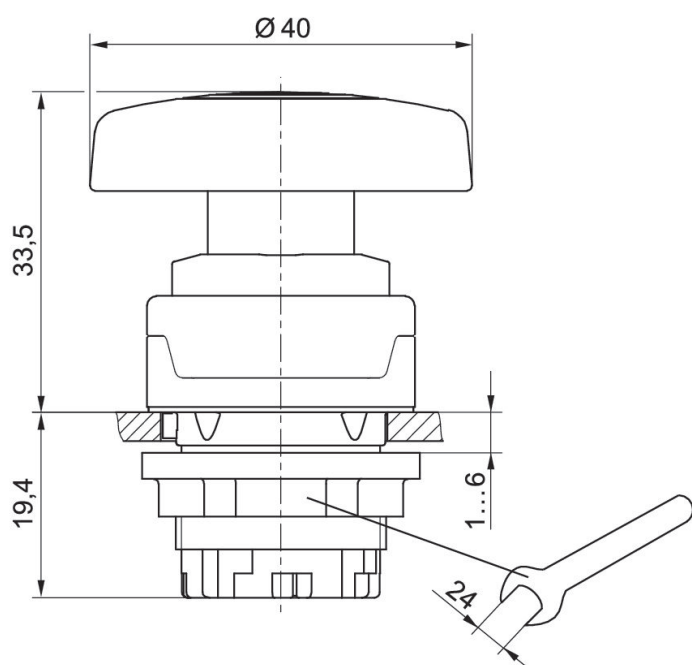
Actuating controls for AP/ST series control panel valves

Ambient temperature min./max.: -30 °C ... 70 °C



Type	Color	Part No.
Mushroom button	Yellow	R412012740

Dimensions in mm



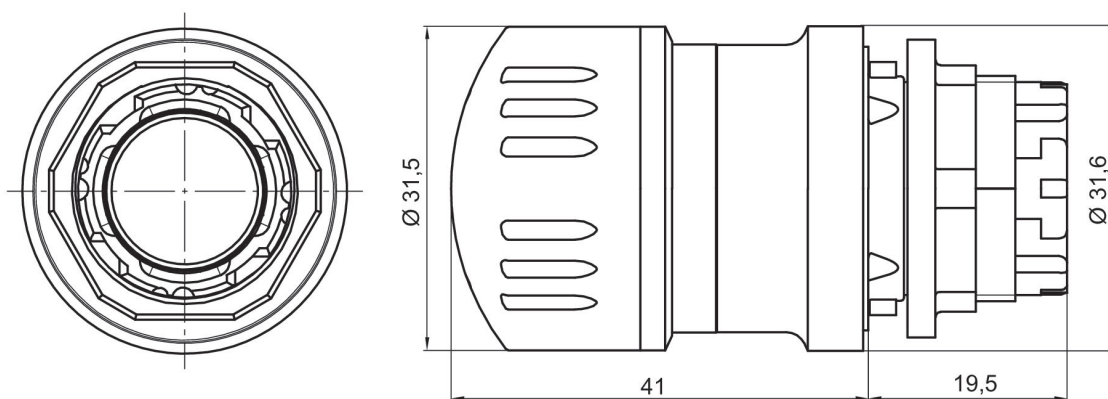
Actuating controls for AP/ST series control panel valves

Ambient temperature min./max.: -30 °C ... 70 °C



Type	Note	Color	Part No.
Emergency OFF button, red, with detent and rotary release	Only for ST series spring-return valves (R422002211, R422002213)	Red	R412012741

Dimensions in mm



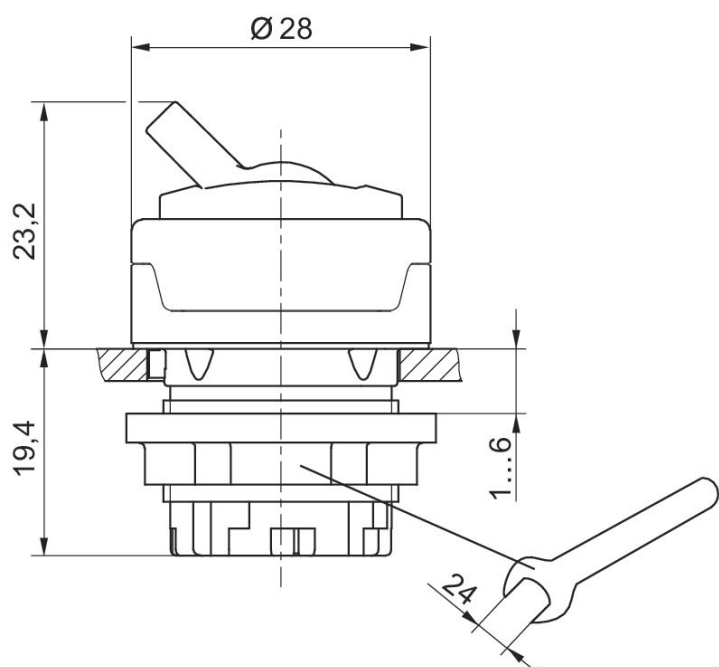
Actuating controls for AP/ST series control panel valves

Ambient temperature min./max.: -30 °C ... 70 °C



Type	Color	Part No.
Lever switch	Red	R412012742

Dimensions in mm



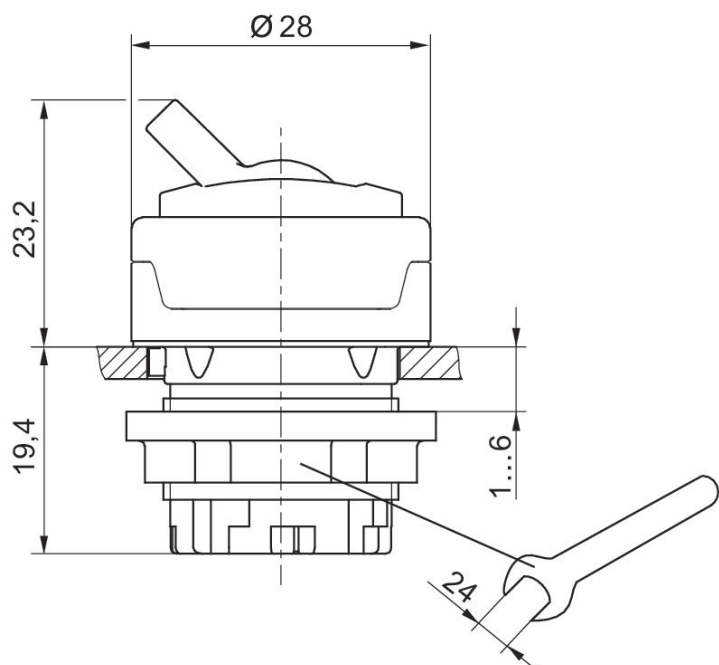
Actuating controls for AP/ST series control panel valves

Ambient temperature min./max.: -30 °C ... 70 °C



Type	Color	Part No.
Lever switch	White	R412012743

Dimensions in mm



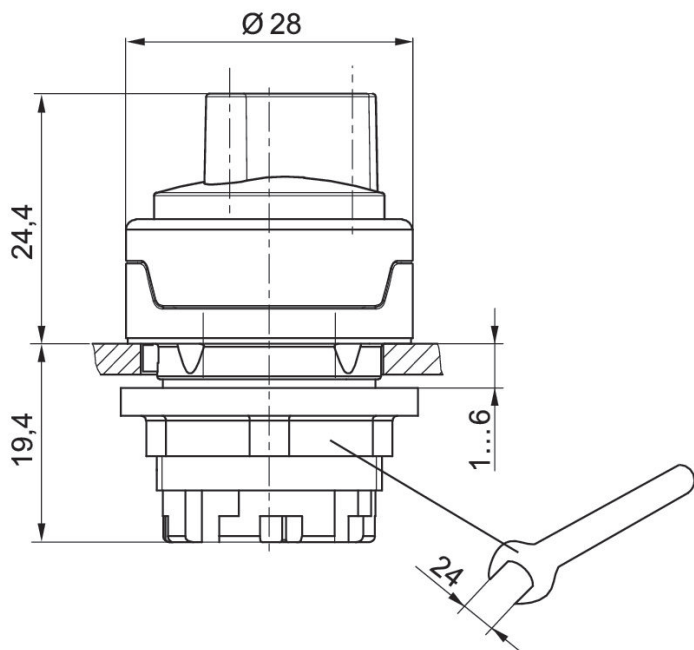
Actuating controls for AP/ST series control panel valves

Ambient temperature min./max.: -30 °C ... 70 °C



Type	Color	Part No.
Rotary switch with two notched positions	Red	R412012744

Dimensions in mm



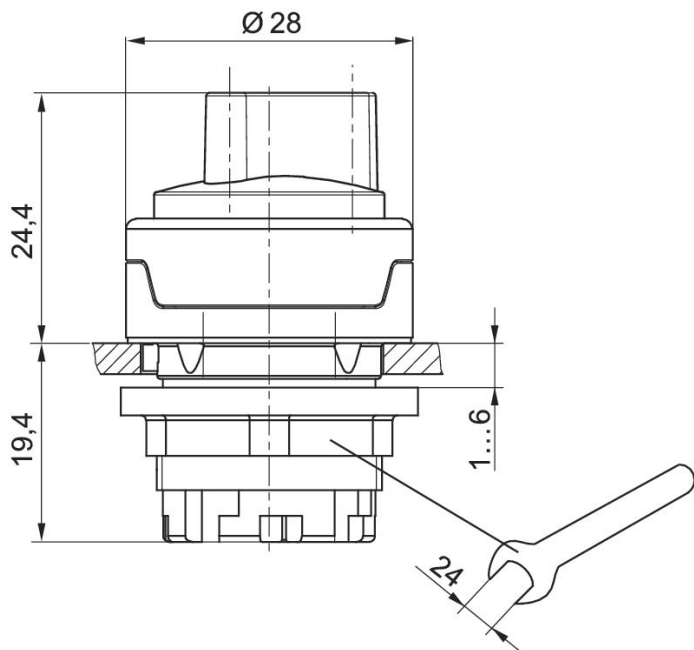
Actuating controls for AP/ST series control panel valves

Ambient temperature min./max.: -30 °C ... 70 °C



Type	Color	Part No.
Rotary switch with two notched positions	Grey	R412012745

Dimensions in mm



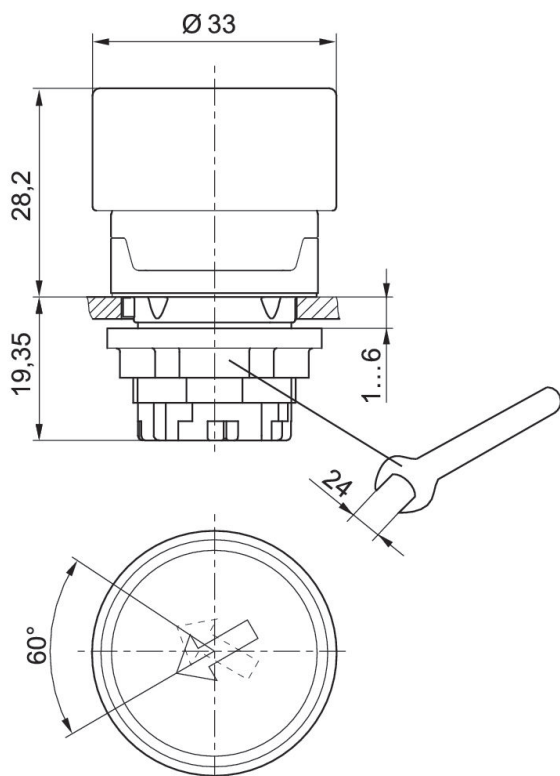
Actuating controls for AP/ST series control panel valves

Ambient temperature min./max.: -30 °C ... 70 °C



Type	Color	Part No.
Push button with detent and rotary release	Black	R412012748

Dimensions in mm



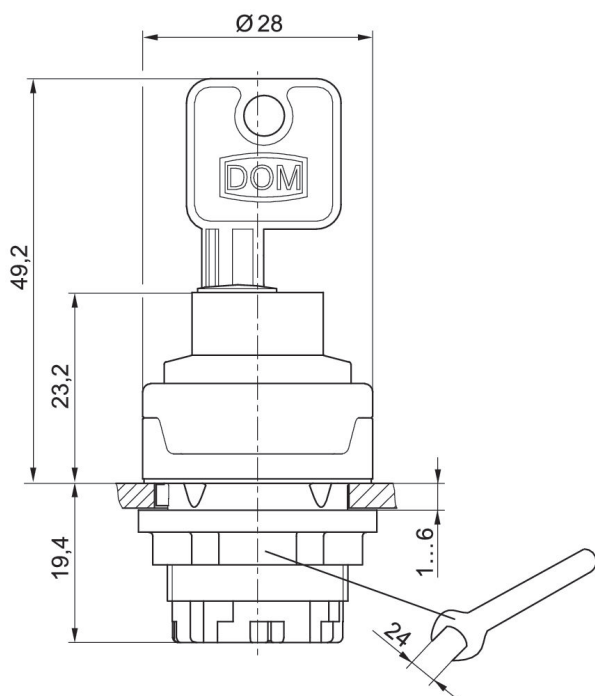
Actuating controls for AP/ST series control panel valves

Ambient temperature min./max.: -30 °C ... 70 °C



Type	Note	Color	Part No.
Rotary lock with two keys	The key can be removed only if the button is in the actuated state.	Grey	R412012746
Rotary lock with two keys	The key can be removed in the actuated or non-actuated state.	Grey	R412015479

Dimensions in mm



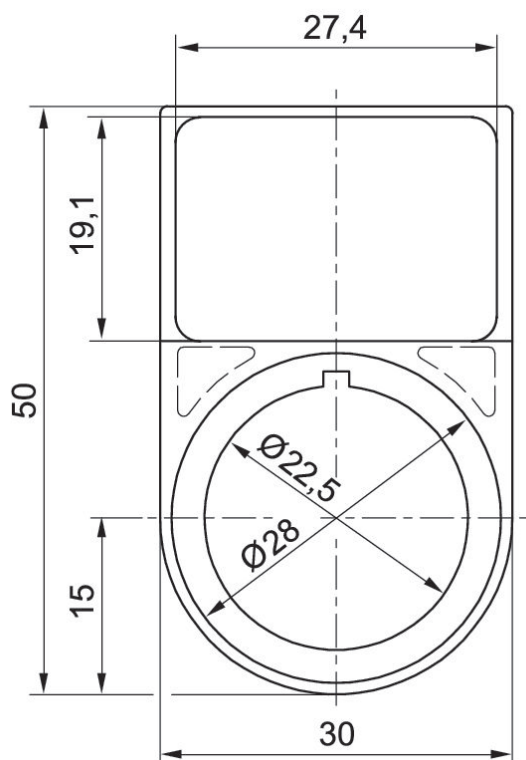
Accessories for actuating controls for AP/ST series control panel valves

Ambient temperature min./max.: -30 °C ... 70 °C



Type	Color	Part No.
Label base	Anthracite	R412012749

Dimensions in mm



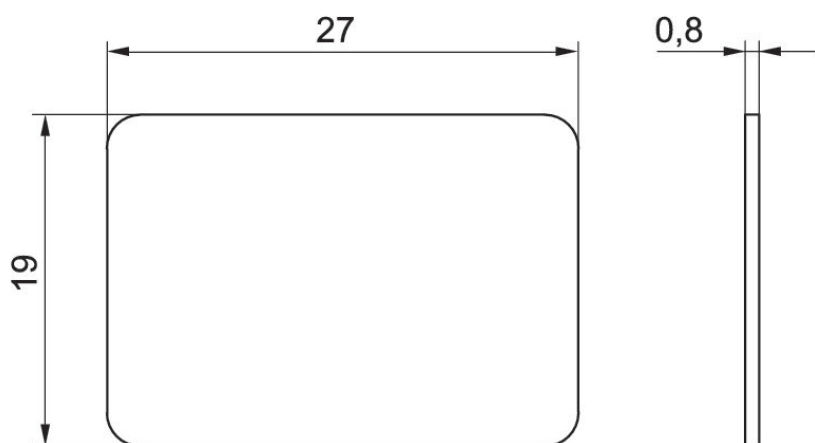
Accessories for actuating controls for AP/ST series control panel valves

Ambient temperature min./max.: -30 °C ... 70 °C



Type	Color	Part No.
Name plates, angular	silver	R412012750

Dimensions in mm



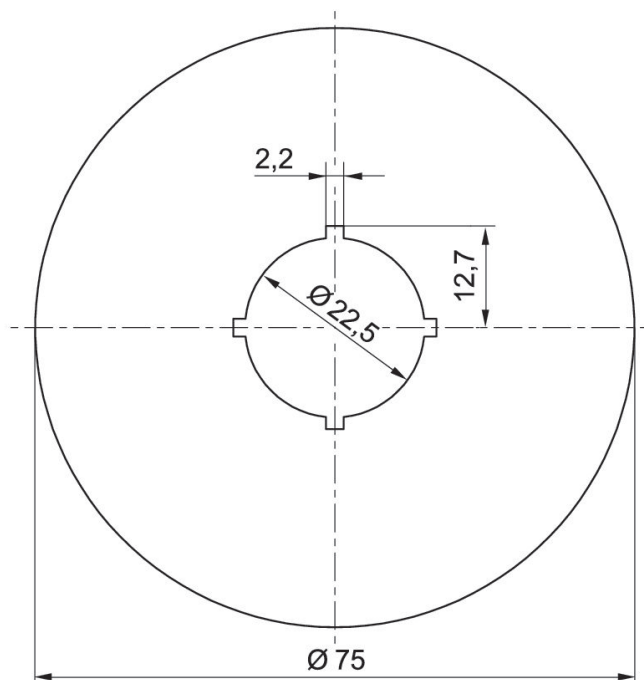
Accessories for actuating controls for AP/ST series control panel valves

Ambient temperature min./max.: -30 °C ... 70 °C



Type	Note	Color	Part No.
Emergency OFF sign, round	Only for ST series spring-return valves (R422002211, R422002213)	Yellow	R412012751

Dimensions in mm



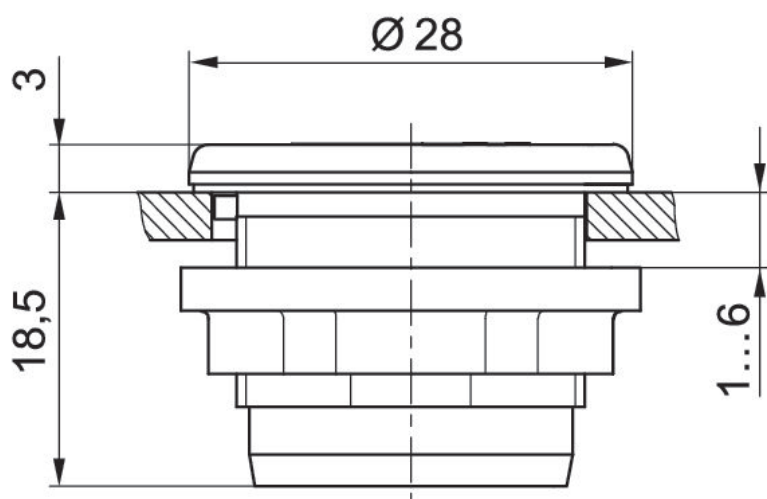
Accessories for actuating controls for AP/ST series control panel valves

Ambient temperature min./max.: -30 °C ... 70 °C



Type	Color	Part No.
Blanking plug	Anthracite	R412012752

Dimensions in mm



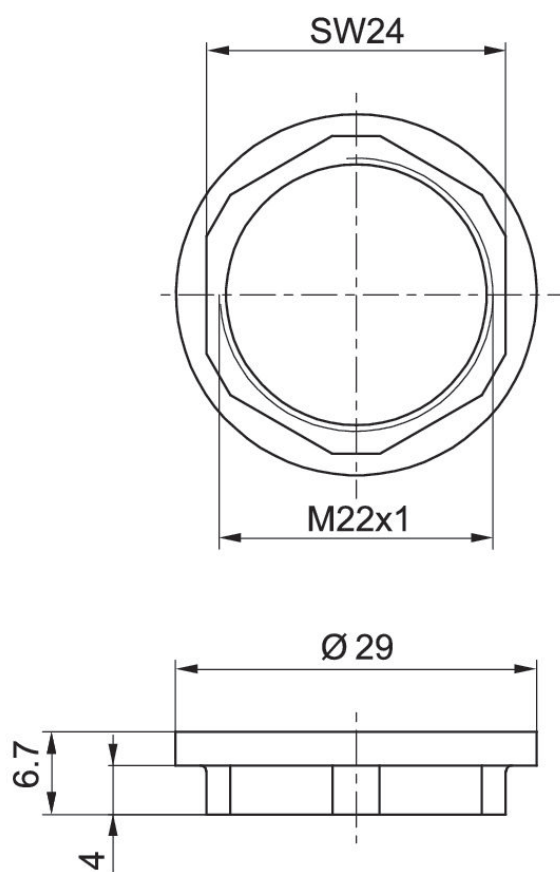
Accessories for actuating controls for AP/ST series control panel valves

Ambient temperature min./max.: -30 °C ... 70 °C



Type	Color	Part No.
Mounting nut M22x1	Black	R412012753

Dimensions in mm



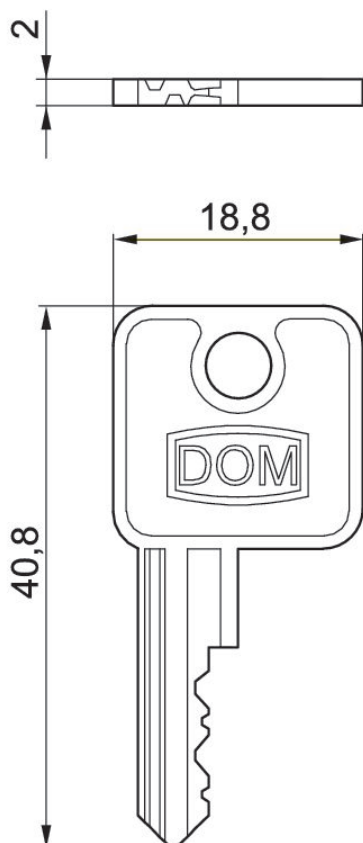
Accessories for actuating controls for AP/ST series control panel valves

Ambient temperature min./max.: -30 °C ... 70 °C



Type	Part No.
Spare key	R412012989

Dimensions in mm



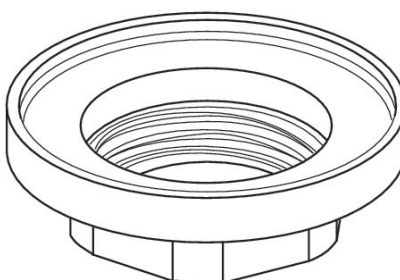
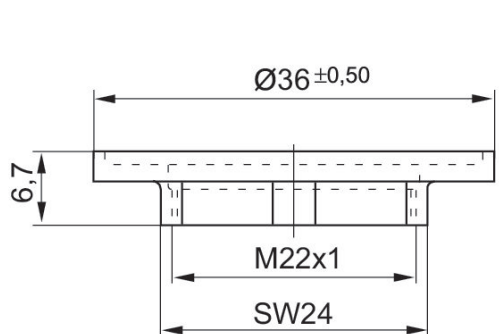
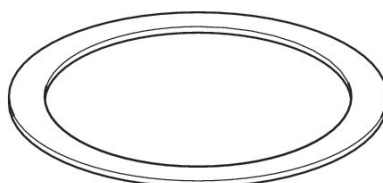
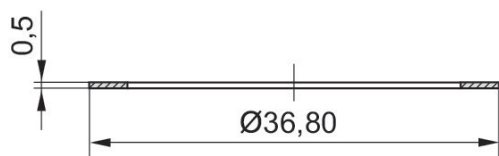
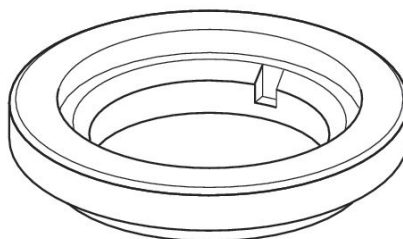
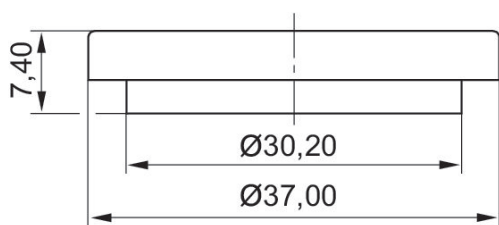
Accessories for actuating controls for AP/ST series control panel valves

Ambient temperature min./max.: -30 °C ... 70 °C



Type	Part No.
Reduction , Ø30.5 to Ø22.5	R412015512

Dimensions in mm



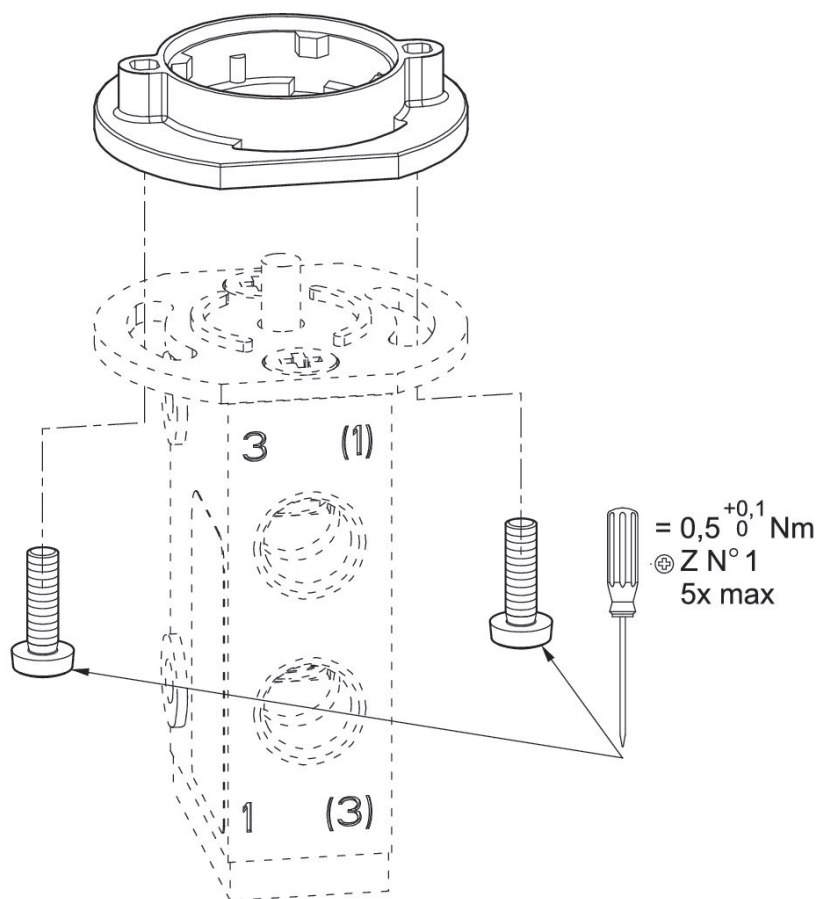
Accessories for actuating controls for AP/ST series control panel valves

Ambient temperature min./max.: -30 °C ... 70 °C



Type	Part No.
Adapter kit to connect actuating controls to AP/ST series valves	R422002219

Dimensions in mm







for panel-mounted valves

Efficient pneumatic solutions, our program:
cylinders and drives, valves and valve systems,
air supply management, proportional pressure
control valves



Visit us: www.Emerson.com/aventics
Your local contact: Emerson.com/contactus

-  Emerson.com
-  Facebook.com/EmersonAutomationSolutions
-  LinkedIn.com/company/Emerson-Automation-Solutions
-  Twitter.com/EMR_Automation



The Emerson logo is a trademark and service mark of Emerson Electric Co. AVENTICS is a registered trademark of one of the Emerson family of companies. All other trademarks are the property of their respective owners. © 2020 Emerson Electric Co. All rights reserved.



CONSIDER IT SOLVED[®]