

ROTAIR series valve block



AVENTICS Series Rotair Directional control valves

- Qn max. 1100 l/min



Product overview

Mechanically operated

| | Page |
|--|------|
| 5/2-directional valve, Series Rotair®..... | 4 |
| 5/3-directional valve, Series Rotair®..... | 6 |

5/2-directional valve, Series Rotair®

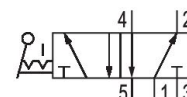
Activation: Mechanical

Type: Poppet valve

Ambient temperature min./max.: -25 °C ... 80 °C

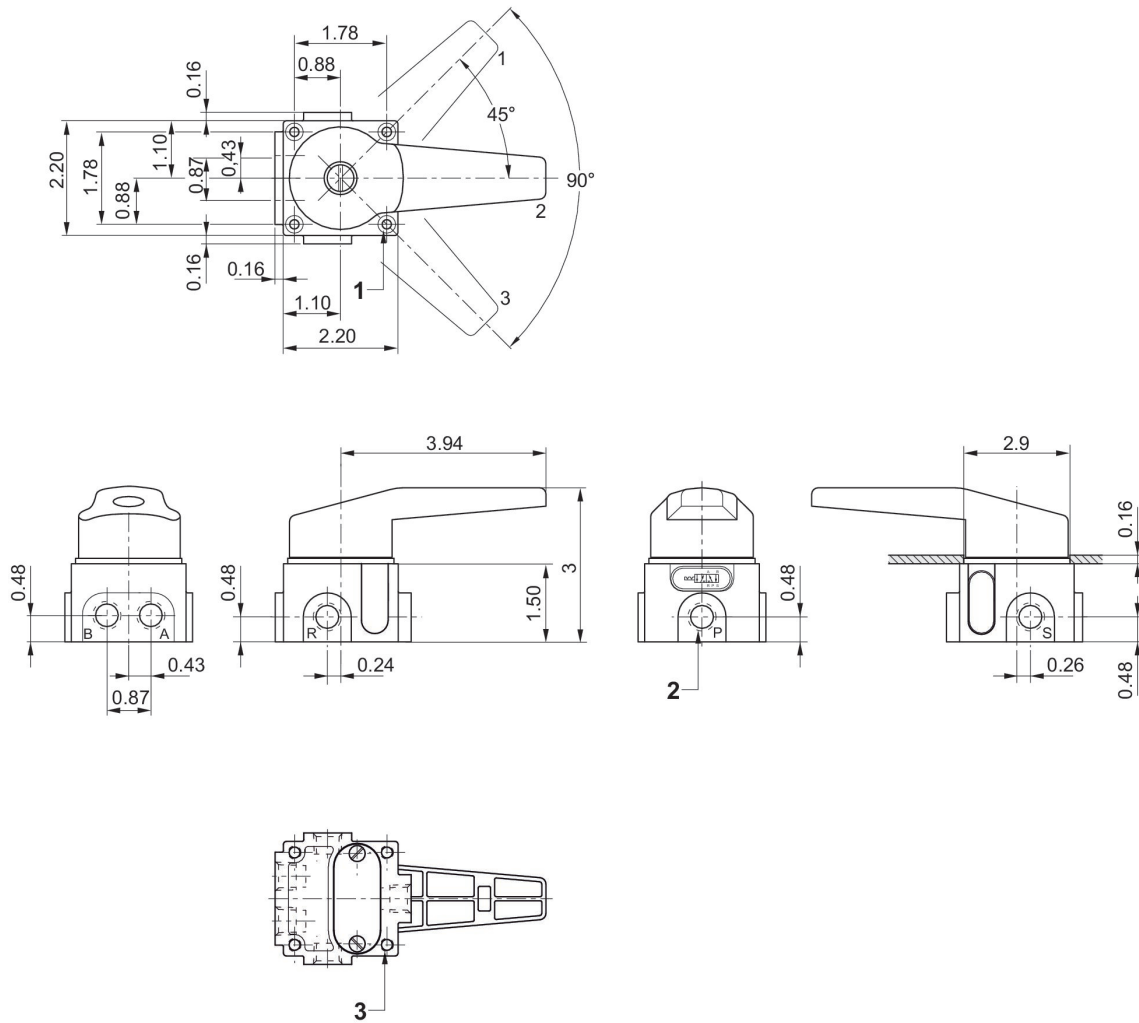
Medium temperature min./max.: -25 °C ... 80 °C

Working pressure min./max.: 0 bar ... 10 bar



| Housing material | Compressed air connection output | Part No. |
|------------------|----------------------------------|------------|
| Die cast zinc | 1/8 NPT | R432013830 |
| Die cast zinc | 1/4 NPT | R432013831 |
| Die cast zinc | 3/8 NPT | R432013832 |

Dimensions in inches



- 1) .31" external diameter X (.145" deep) .18" internal thread X (1.35 deep) = 1.5" through
- 2) Connections [1, 3, 5, 2, 4]
- 3) 1/4" - 20 UNC-2B X .38" deep

5/3-directional valve, Series Rotair®

Activation: Mechanical

Type: Poppet valve

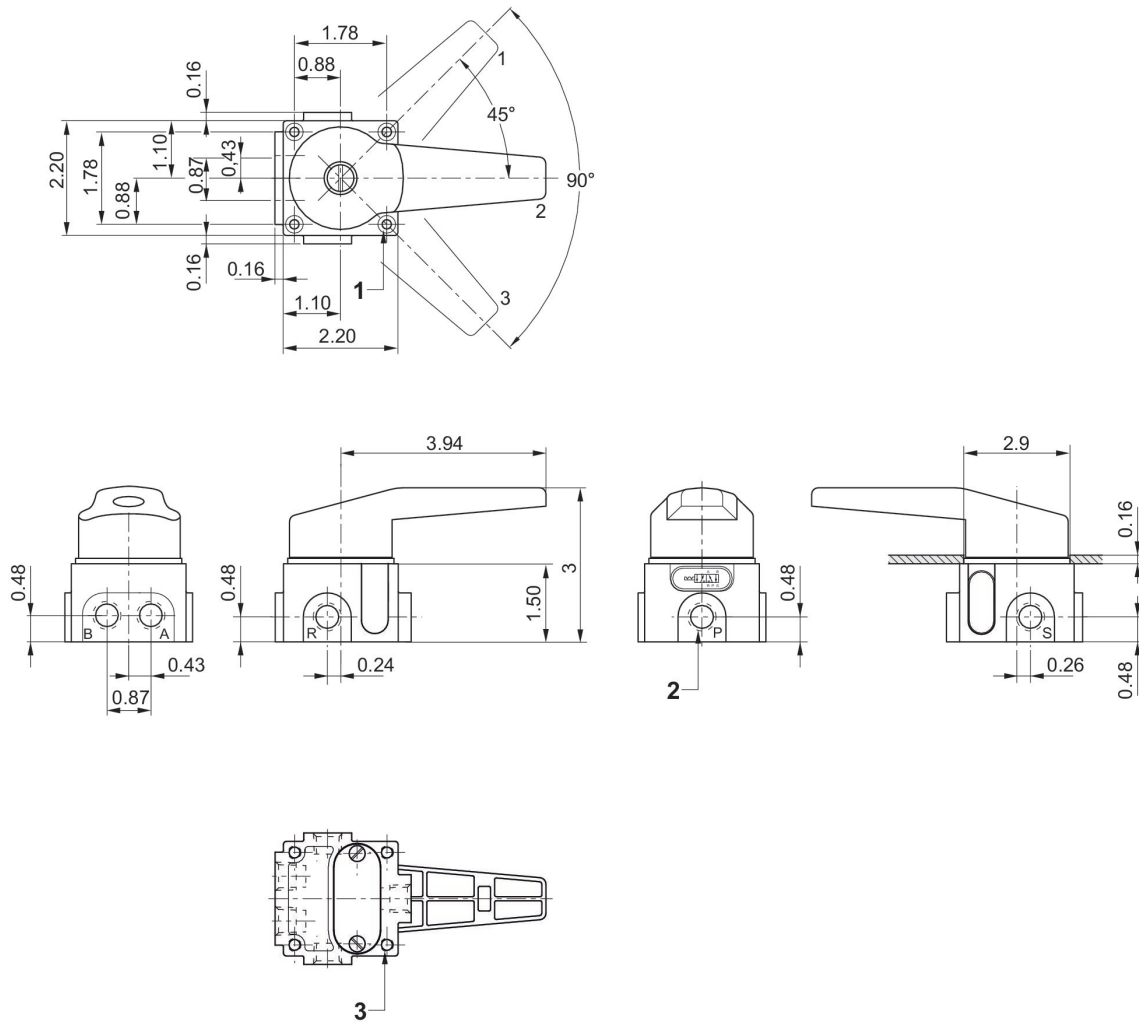
Ambient temperature min./max.: -25 °C ... 10 °C

Medium temperature min./max.: -25 °C ... 10 °C



| | Housing material | Compressed air connection output | Part No. |
|--|------------------|----------------------------------|------------|
| | Die cast zinc | 1/8 NPT | R432013833 |
| | Die cast zinc | 1/4 NPT | R432013834 |
| | Die cast zinc | 3/8 NPT | R432013835 |
| | Die cast zinc | 1/8 NPT | R432013836 |
| | Die cast zinc | 1/4 NPT | R432013837 |
| | Die cast zinc | 3/8 NPT | R432013838 |

Dimensions in inches







- 1) .31" external diameter X (.145" deep) .18" internal thread X (1.35 deep) = 1.5" through
- 2) Connections [1, 3, 5, 2, 4]
- 3) 1/4" - 20 UNC-2B X .38" deep

Efficient pneumatic solutions, our program:
cylinders and drives, valves and valve systems,
air supply management, proportional pressure
control valves



Visit us: www.Emerson.com/aventics
Your local contact: Emerson.com/contactus

-  Emerson.com
-  Facebook.com/EmersonAutomationSolutions
-  LinkedIn.com/company/Emerson-Automation-Solutions
-  Twitter.com/EMR_Automation



The Emerson logo is a trademark and service mark of Emerson Electric Co. AVENTICS is a registered trademark of one of the Emerson family of companies. All other trademarks are the property of their respective owners. © 2020 Emerson Electric Co. All rights reserved.



CONSIDER IT SOLVED™