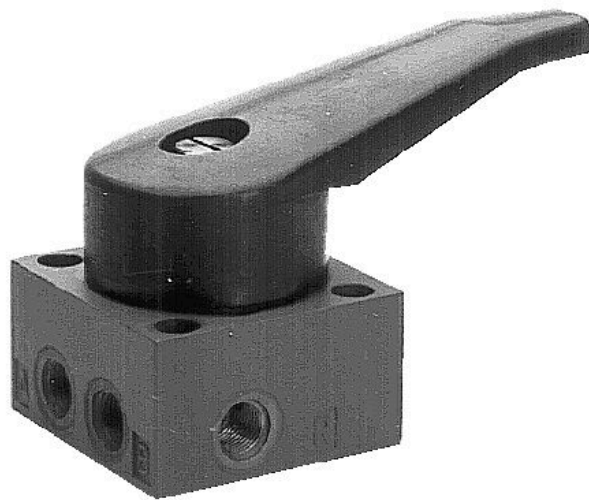


系列 563 018 , 563 131



AVENTICS™

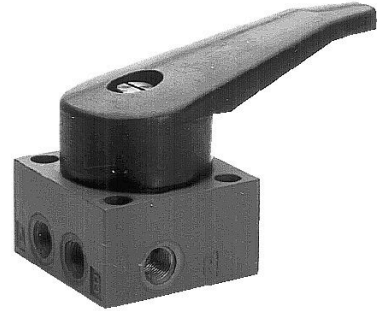
AVENTICS 563/018/131 系列方向
控制阀


EMERSON™

系列 563 018 , 563 131

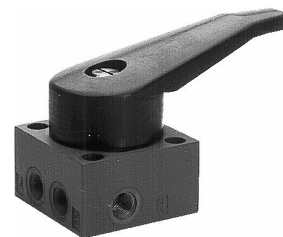
安沃驰 563 018/131 系列为手动操控提动阀，流速为 300 l/min (563 018 系列) 和 1100 l/min (563 131 系列)。其设计简单而又坚固，可随时投入应用，即便佩戴工作手套时也可以轻松操作。

- 坚固且轻便
- 极为可靠
- 适用于极端温度



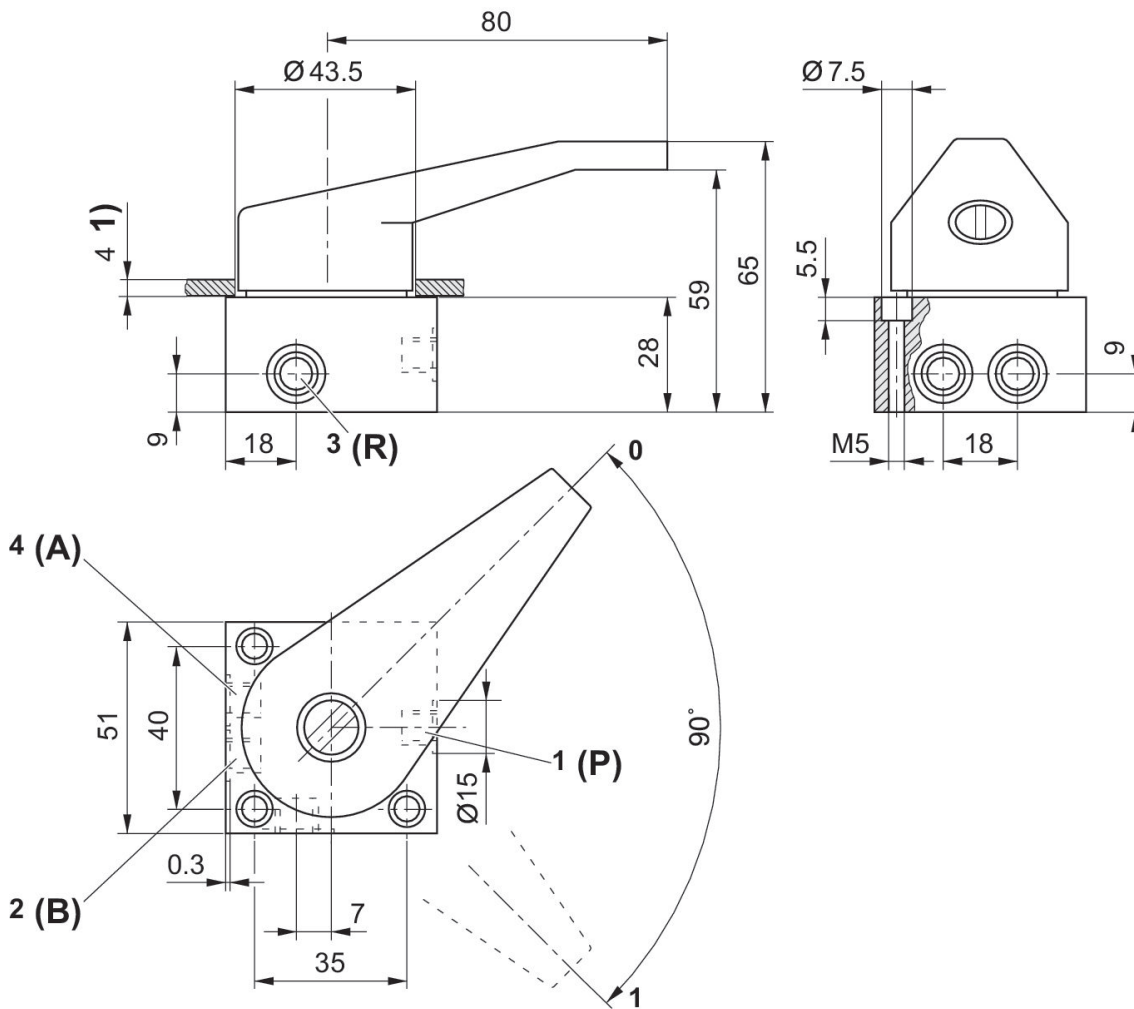
二位四通换向阀, 系列 563 018

300 l/min
单线圈
内螺纹
机械式
手柄, 带定位



| 压缩空气 接口 入口 | 压缩空气 接口 出口 | 压缩空气连接 排气 | 物料号 |
|------------|------------|-----------|------------|
| G 1/8 | G 1/8 | G 1/8 | 5630180100 |

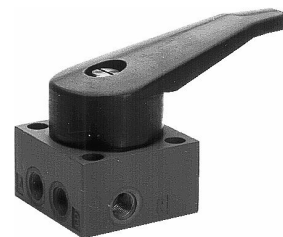
规格



1) 最大值.
第0项: 接口1 ▶ 接口4, 接口2 ▶ 接口3 第1项: 接口1 ▶ 接口2, 接口4 ▶ 接口3

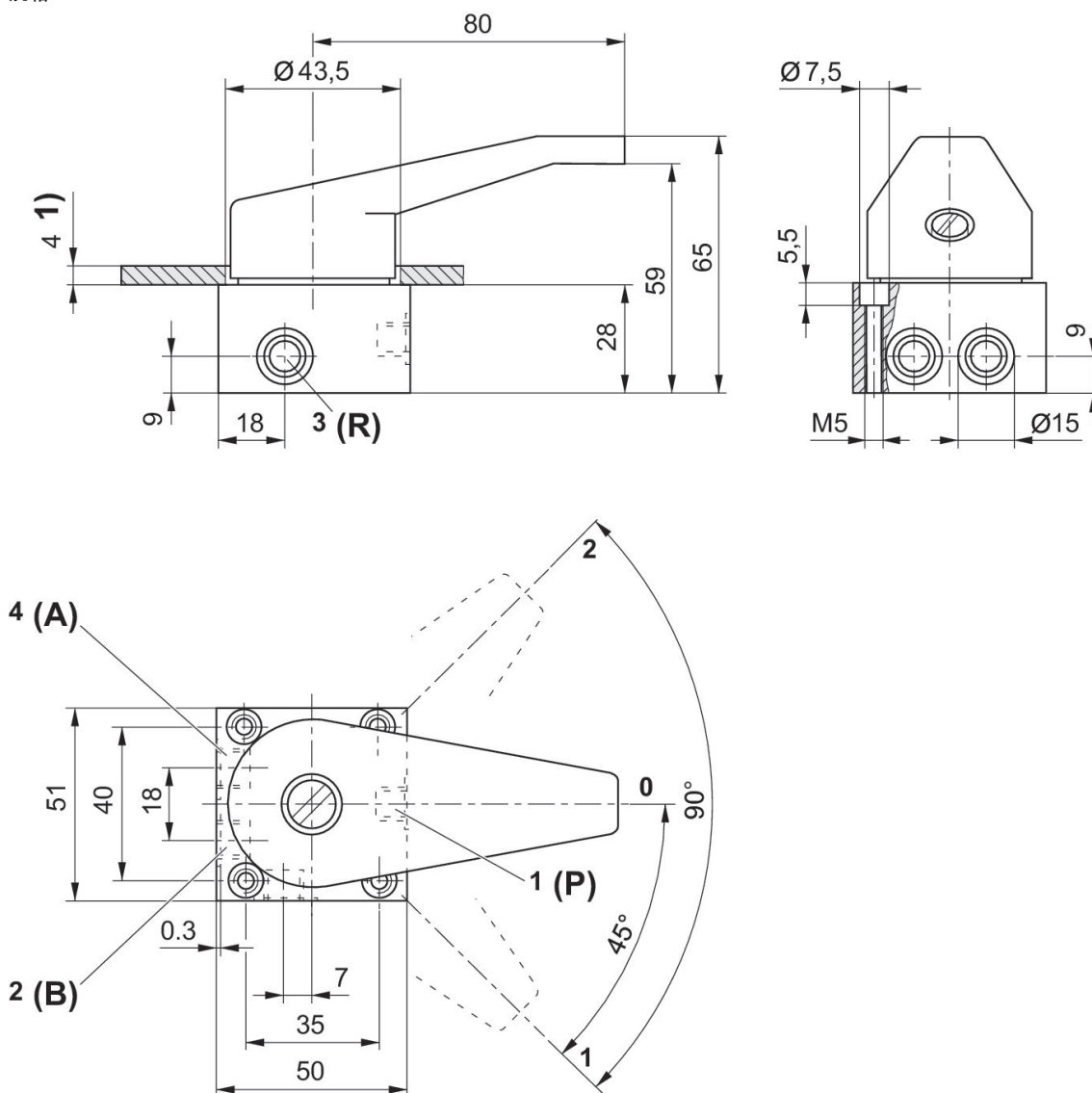
三位四通换向阀, 系列 563 018

300 l/min
单线圈
内螺纹
机械式
手柄, 带定位



| 结构 | 压缩空气 接口 入口 | 压缩空气 接口 出口 | 压缩空气连接 排气 | 物料号 |
|------|------------|------------|-----------|------------|
| 中位排气 | G 1/8 | G 1/8 | G 1/8 | 5630181100 |
| 中位封闭 | G 1/8 | G 1/8 | G 1/8 | 5630182100 |

规格



1) 最大值.
位置0 (5630181100) : 接口2,4 ▶ 3 位置0 (5630182100) : 封闭中央位置 位置I : 接口1 ▶ 接口2 ; 接口4 ▶ 接口3 位置II : 接口1 ▶ 接口4,接口2 ▶ 接口3

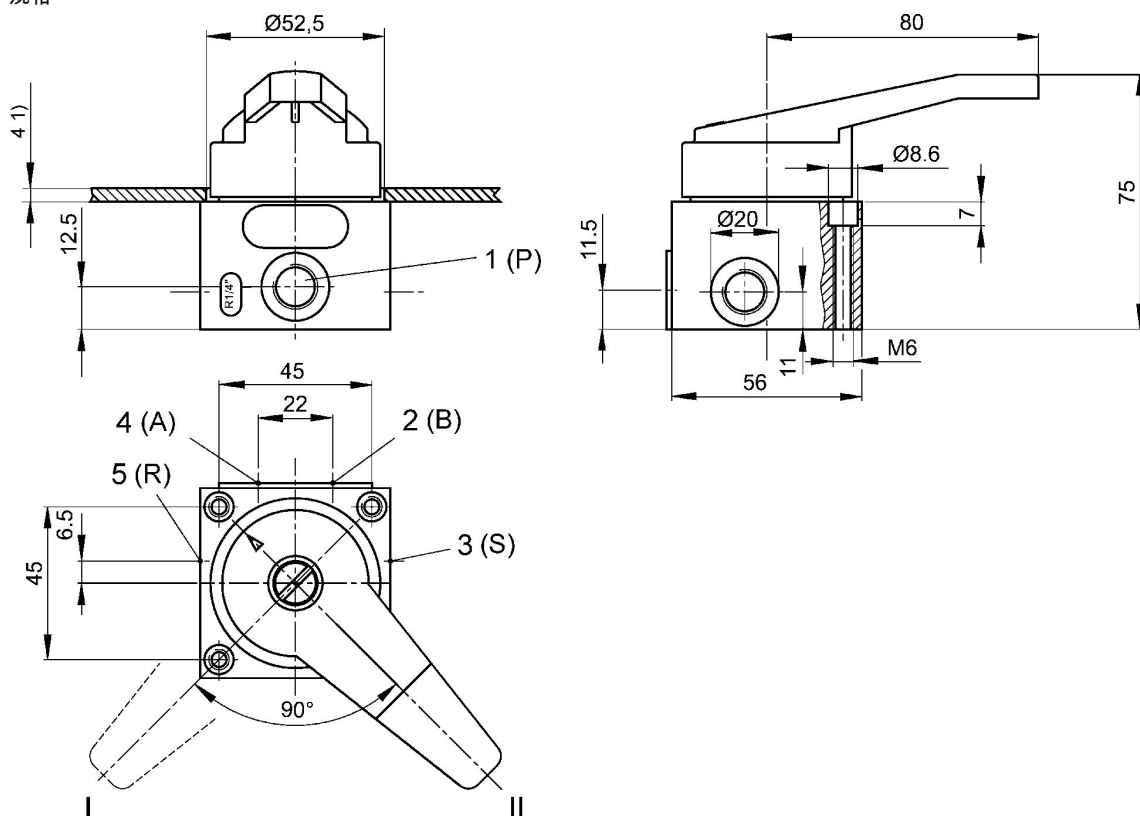
二位五通换向阀, 系列 563 131

1100 l/min
单线圈
内螺纹
机械式
手柄, 带定位



| 压缩空气 接口 入口 | 压缩空气 接口 出口 | 压缩空气连接 排气 | 物料号 |
|------------|------------|-----------|------------|
| G 1/4 | G 1/4 | G 1/4 | 5631310100 |

规格



1) 最大值.
第I项: 接口1 ▶ 接口4, 接口2 ▶ 接口3 第II项: 接口1 ▶ 接口2, 接口4 ▶ 接口5

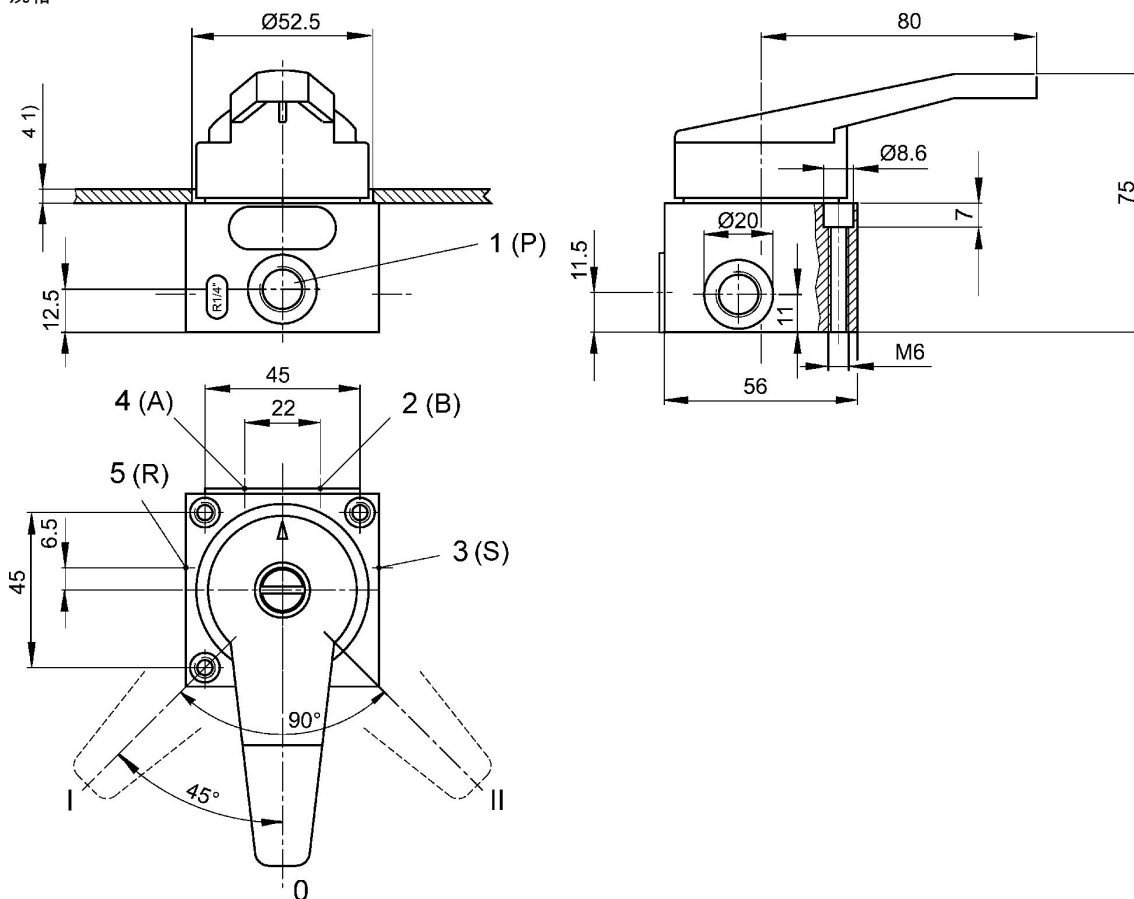
三位五通换向阀, 系列 563 131

1100 l/min
单线圈
内螺纹
机械式
手柄, 带定位



| 结构 | 压缩空气 接口 入口 | 压缩空气 接口 出口 | 压缩空气连接 排气 | 物料号 |
|------|------------|------------|-----------|------------|
| 中位排气 | G 1/4 | G 1/4 | G 1/4 | 5631311100 |
| 中位封闭 | G 1/4 | G 1/4 | G 1/4 | 5631312100 |

规格



1) 最大值.
位置0 (5631311100) : 接口2 ▶ 接口3 ; 接口4 ▶ 接口5 位置0 (5631312100) , 封闭中央位置 位置I, 接口1 ▶ 接口4, 接口2 ▶ 接口3 位置II : 接口4 ▶ 接口5, 接口1 ▶ 接口2

Efficient pneumatic solutions, our program: cylinders and drives, valves and valve systems, air supply management



Visit us: [Emerson.com/Aventics](https://www.emerson.com/aventics)

Your local contact: [Emerson.com/contactus](https://www.emerson.com/contactus)



[Emerson.com](https://www.emerson.com)



[Facebook.com/EmersonAutomationSolutions](https://www.facebook.com/EmersonAutomationSolutions)



[LinkedIn.com/company/Emerson-Automation-Solutions](https://www.linkedin.com/company/Emerson-Automation-Solutions)



[Twitter.com/EMR_Automation](https://twitter.com/EMR_Automation)

An example configuration is depicted on the title page. The delivered product may thus vary from that in the illustration. Subject to change. This Document, as well as the data, specifications and other information set forth in it, are the exclusive property of AVENTICS GmbH. It may not be reproduced or given to third parties without its consent. Only use the AVENTICS products shown in industrial applications. Read the product documentation completely and carefully before using the product. Observe the applicable regulations and laws of the respective country. When integrating the product into applications, note the system manufacturer's specifications for safe use of the product. The data specified only serve to describe the product. No statements concerning a certain condition or suitability for a certain application can be derived from our information. The information given does not release the user from the obligation of own judgment and verification. It must be remembered that the products are subject to a natural process of wear and aging.

The Emerson logo is a trademark and service mark of Emerson Electric Co. Brand logotype are registered trademarks of one of the Emerson family of companies. All other marks are the property of their respective owners. © 2019 Emerson Electric Co. All rights reserved.



CONSIDER IT SOLVED™