

SC4



AVENTICS™

**AVENTICS série SC4 Sensores
de proximidade magnéticos**


EMERSON™

Série SC4

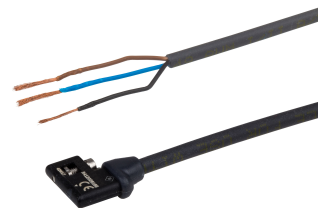
Os sensores magnéticos AVENTICS série SC4 são ideais para uso em espaços pequenos, com cilindros de curso reduzido e garras com calha em C.

- ranhura C 4 mm
- Tipo de contato PNP, NPN
- Certificação UL

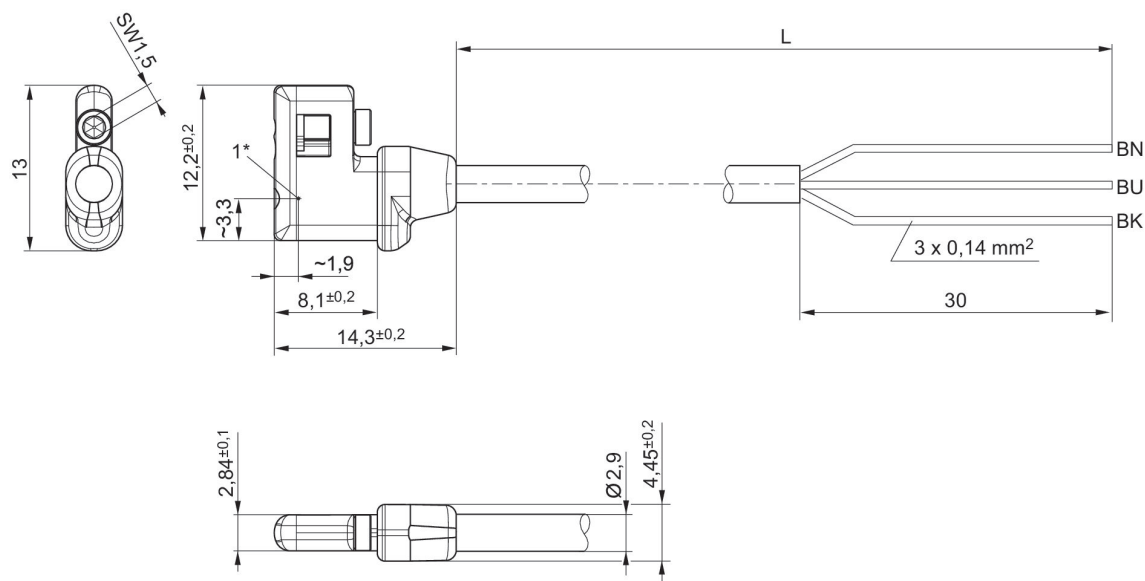


Sensor, Série SC4

UPG
RTC
MSN
GPC
MSC
PRA
SSI
TWC
sem manga terminal de cabos galvanizado



Montagem direta para série	Tipo de contato	Conexão elétrica número de polos	Comprimento do cabo L [m]	N° de material
UPG, RTC, MSN, GPC, MSC, PRA, SSI, TWC	eletrônico PNP	De 3 pinos	3	R412026162
UPG, RTC, MSN, GPC, MSC, PRA, SSI, TWC	eletrônico PNP	De 3 pinos	5	R412026163
UPG, RTC, MSN, GPC, MSC, PRA, SSI, TWC	NPN	De 3 pinos	3	R412026166



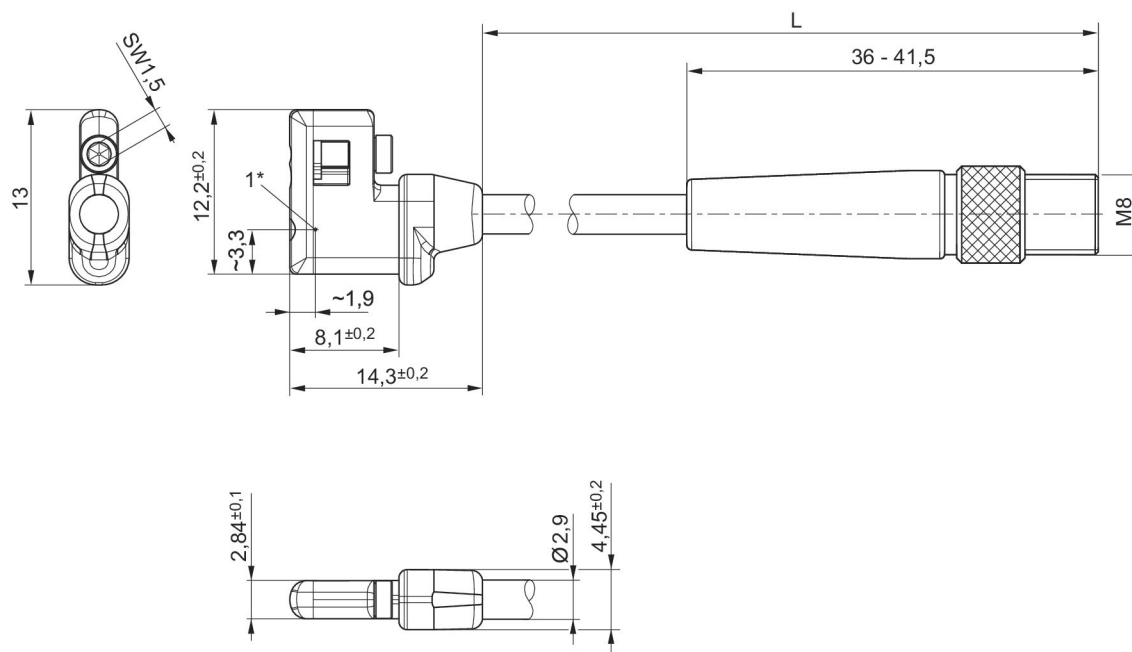
* Ponto de comutação
L = comprimento do cabo

Sensor, Série SC4

UPG
RTC
MSN
GPC
MSC
PRA
SSI
TWC
Conector



Montagem direta para série	Tipo de contato	Conexão elétrica número de polos	Comprimento do cabo L [m]	N° de material
UPG, RTC, MSN, GPC, MSC, PRA, SSI, TWC	eletrônico PNP	De 3 pinos	0.3	R412026164
UPG, RTC, MSN, GPC, MSC, PRA, SSI, TWC	eletrônico PNP	De 3 pinos	0.5	R412026165
UPG, RTC, MSN, GPC, MSC, PRA, SSI, TWC	eletrônico NPN	De 3 pinos	0.3	R412026167



* Ponto de comutação
L = comprimento do cabo

Efficient pneumatic solutions, our program: cylinders and drives, valves and valve systems, air supply management



Visit us: [Emerson.com/Aventics](https://www.emerson.com/aventics)

Your local contact: [Emerson.com/contactus](https://www.emerson.com/contactus)



[Emerson.com](https://www.emerson.com)



[Facebook.com/EmersonAutomationSolutions](https://www.facebook.com/EmersonAutomationSolutions)



[LinkedIn.com/company/Emerson-Automation-Solutions](https://www.linkedin.com/company/Emerson-Automation-Solutions)



[Twitter.com/EMR_Automation](https://twitter.com/EMR_Automation)

An example configuration is depicted on the title page. The delivered product may thus vary from that in the illustration. Subject to change. This Document, as well as the data, specifications and other information set forth in it, are the exclusive property of AVENTICS GmbH. It may not be reproduced or given to third parties without its consent. Only use the AVENTICS products shown in industrial applications. Read the product documentation completely and carefully before using the product. Observe the applicable regulations and laws of the respective country. When integrating the product into applications, note the system manufacturer's specifications for safe use of the product. The data specified only serve to describe the product. No statements concerning a certain condition or suitability for a certain application can be derived from our information. The information given does not release the user from the obligation of own judgment and verification. It must be remembered that the products are subject to a natural process of wear and aging.

The Emerson logo is a trademark and service mark of Emerson Electric Co. Brand logotype are registered trademarks of one of the Emerson family of companies. All other marks are the property of their respective owners. © 2019 Emerson Electric Co. All rights reserved.



CONSIDER IT SOLVED™