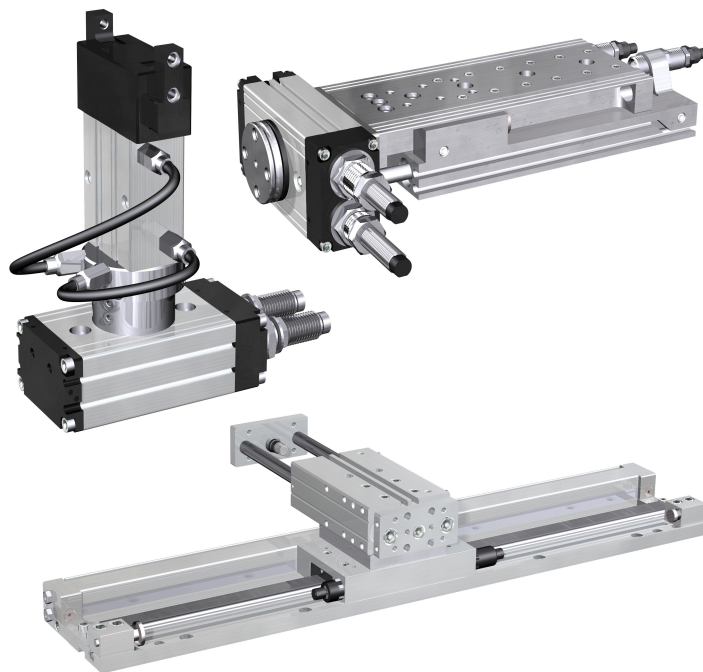


Easy2Combine



AVENTICS™

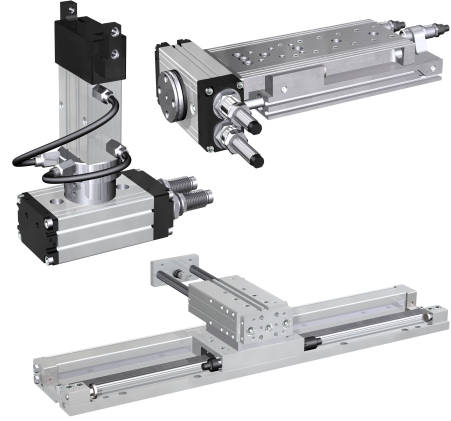
AVENTICS Easy-2-Combine 系列
接口


EMERSON™

连接安装组件

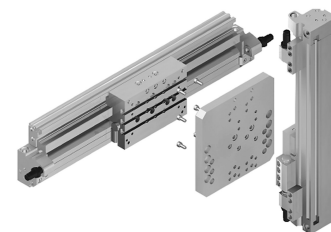
安沃驰 Easy-2-Combine 标准化带互锁连接的安装接口可以将小型滑块、无杆气缸和旋转模块连入多轴系统，无需额外的连接板。这简化了机器设计和构造，并节省了时间和金钱。

- 针对 AVENTICS 部件间直接连接的标准固定接口。
- 因为不需要过渡板，因此需要移动的质量更轻
- 简化的机器设计，减少安装工作量



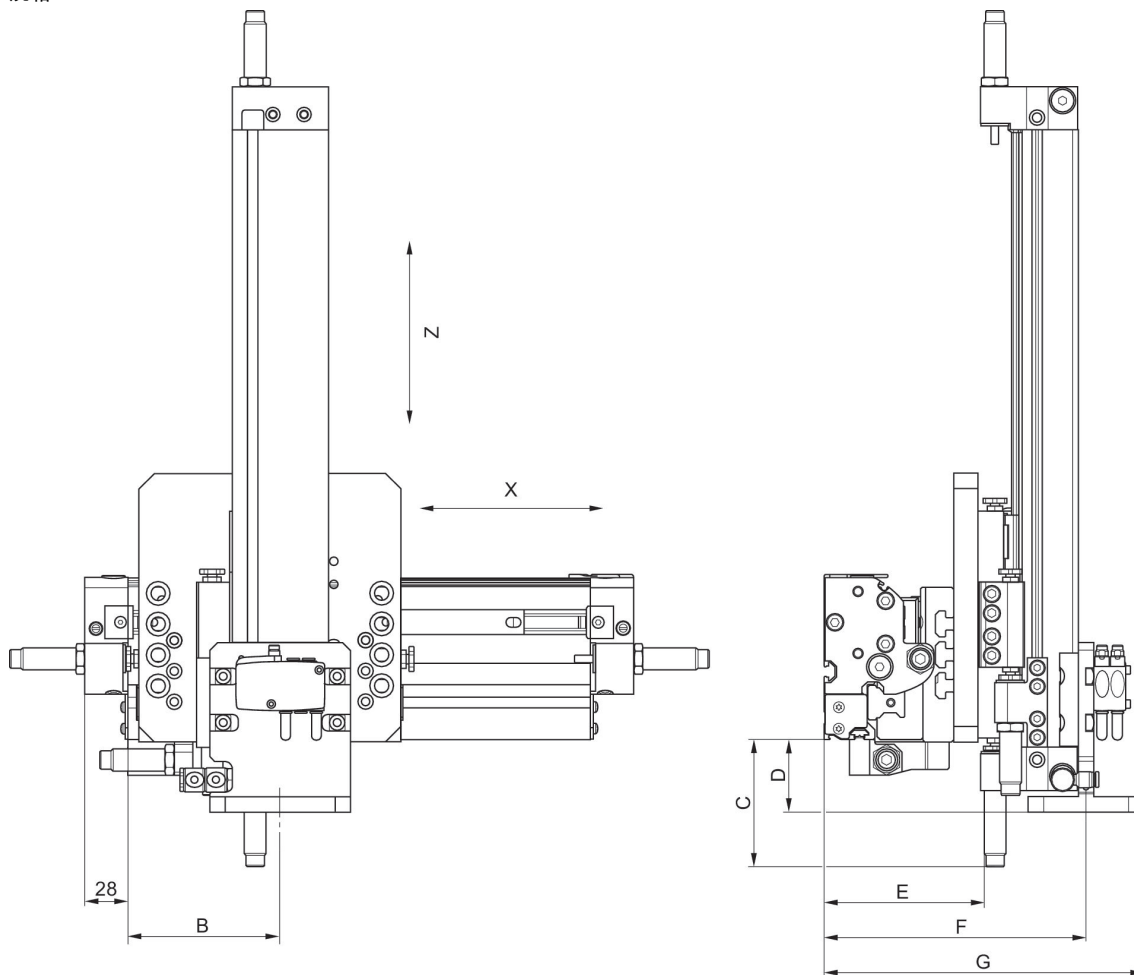
Easy2Combine, 连接安装组件

RTC



Easy2Combine-基础	Easy2Combine-安装件	物料号
RTC-HD 25, RTC-HD 32, RTC-HD 40, RTC-HD 50, RTC-HD 63	RTC-CG 25, RTC-CG 32	R402003944

规格



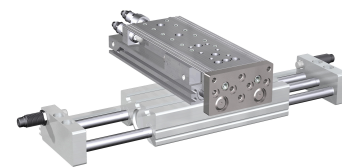
提示：为了避免气缸超负荷，请注意遵守以下列出的最大速度：X (RTC-HD): 最大冲程：4300毫米 最高速度：0.7米/秒（前提是整个Z轴的重心位置恒定不变）Z (RTC-CG) CG25的最大冲程：500毫米 CG32的最大冲程：700毫米 最高速度：1.2米/秒（最大冲程下）最大重量：2千克

规格	B	B	C	C	D	D	E	E	F	F
结构特点	CG-25	CG-32	CG-25	CG-32	CG-25	CG-32	CG-25	CG-32	CG-25	CG-32
HD-25	-	-	-	-	-	-	-	-	-	-
HD-32	98,75	-	75,8	-	47	-	103,7	-	169,8	-
HD-40	110,3	118,3	75,8	81,3	47	47	117,6	117,2	183,7	191,7
HD-50	126	134	81,3	86,8	52,5	52,5	139,3	138,9	205,4	213,4
HD-63	145,25	153,25	81,3	86,8	52,5	52,5	149,3	148,9	215,4	223,4

G	G
CG-25	CG-32
-	-
207,3	-
221,2	229,2
242,9	250,9
252,9	260,9

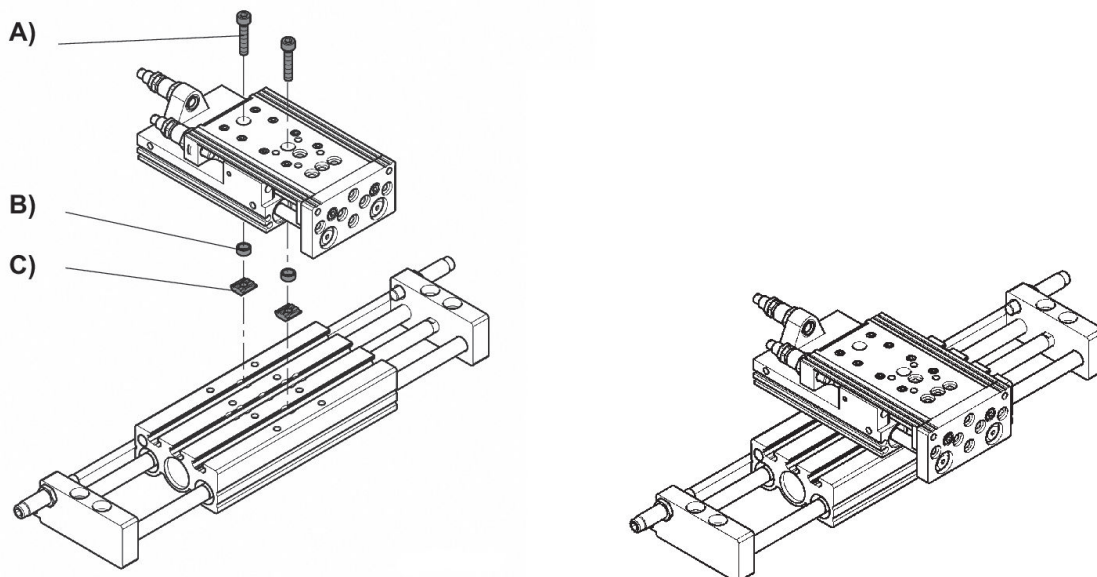
Easy2Combine, 连接安装组件

GPC-ST
MSC



Easy2Combine-基础	Easy2Combine-安装件	物料号
CKK/CKR-12-90, CKK/CKR-15-110, CKP-16, CKP-25, GPC-ST-12		R412004687
RTC-HD 16, RTC-HD 25	MSC-12	R412004688

规格



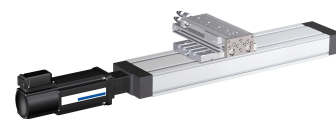
- 1) 螺钉
- 2) 固定套
- 3) T-型槽螺母

Easy2Combine-安装组件	A 1)	B	C
CK2-LI-01	2 x M4x16	2 x Ø 9-7	2 x N6 / M4
CK2-LI-02	2 x M5x20	2 x Ø 9	2 x N6 / M5

1) 拧紧力矩最大M4 = 3,5 Nm ± 10%, M5 = 6,0 Nm ± 10%

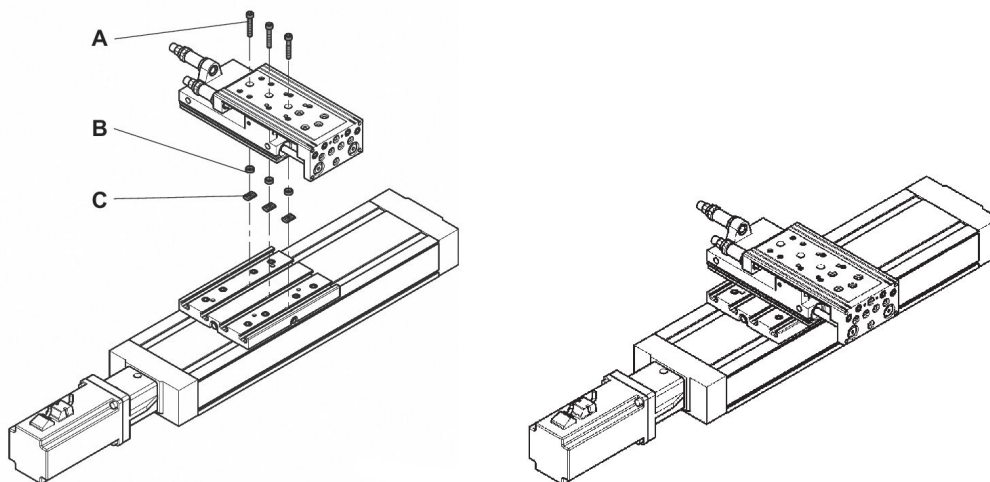
Easy2Combine, 连接安装组件

CKK/CKR
CKP
MSC



Easy2Combine-基础	Easy2Combine-安装件	物料号
RTC-HD 16, RTC-HD 25	MSC-16	R412008670
RTC-HD 32, RTC-HD 40	MSC-20	R412008671
RTC-HD 32, RTC-HD 40	MSC-25	R412008672

滑板安装：横向



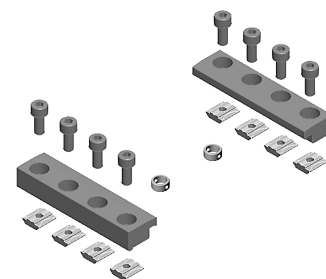
供货范围：A) 螺钉 B) 固定套 C) 块状螺母

Easy2Combine-安装组件	A 1) 2)	B	C
CK2-LI-06	2 x M5x26,5	2 x Ø 9	2 x N6 / M5
CK2-LI-07	2 x M6x32	2 x Ø 12	2 x N8 / M6
CK2-LI-08	2 x M6x28	2 x Ø 12	2 x N8 / M6

1) 拧紧力矩最大M4 = 3,5 Nm ± 10%, M5 = 6,0 Nm ± 10%
2) ISO 4762:2004

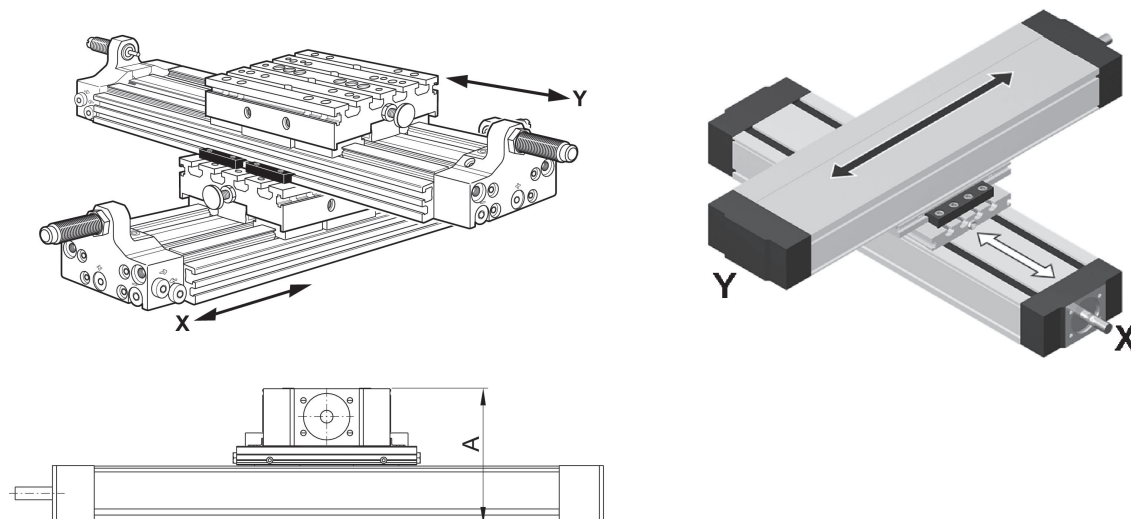
Easy2Combine, 连接安装组件

CKP
CKP



Easy2Combine-基础	Easy2Combine-安装件	物料号
CKP-16, CKP-25	CKP-16	R039120045
CKP-25	CKP-25	R039120046
CKP-32	CKP-25	R039120047
CKP-32	CKP-32	R039120048

将 Y 轴固定在主体上 (工作台部件运行)

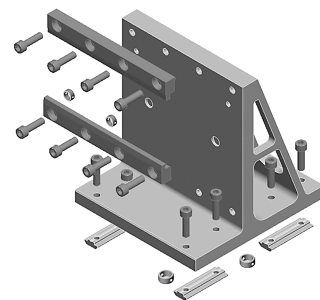


物料号	X 1)	Y 2)	A
R039120045	CKP-16 CKP-25	CKP-16	96 106
R039120046	CKP-25	CKP-25	116
R039120047	CKP-32	CKP-25	135
R039120048	CKP-32	CKP-32	150

1) 基本
2) 安装件
m = 质量

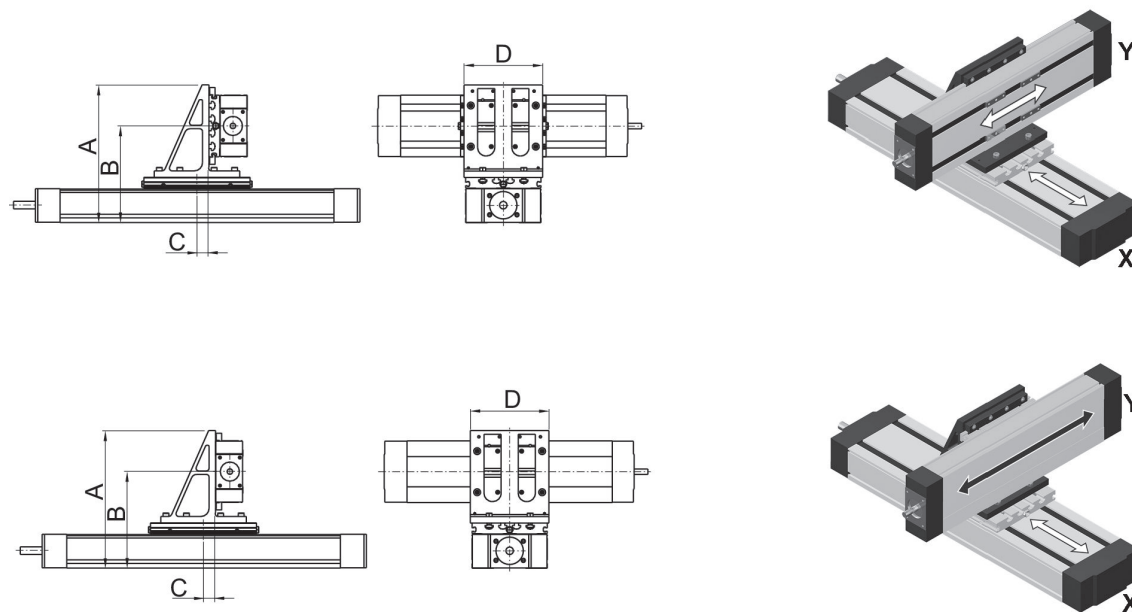
Easy2Combine, 连接安装组件

CKP
CKP



Easy2Combine-基础	Easy2Combine-安装件	物料号
CKP-16, CKP-25	CKP-16	R039110255
CKP-25	CKP-25	R039110256
CKP-32	CKP-25	R039110326
CKP-32	CKP-32	R039110258

将 Y 轴固定在工作台部件上 (主体运行)



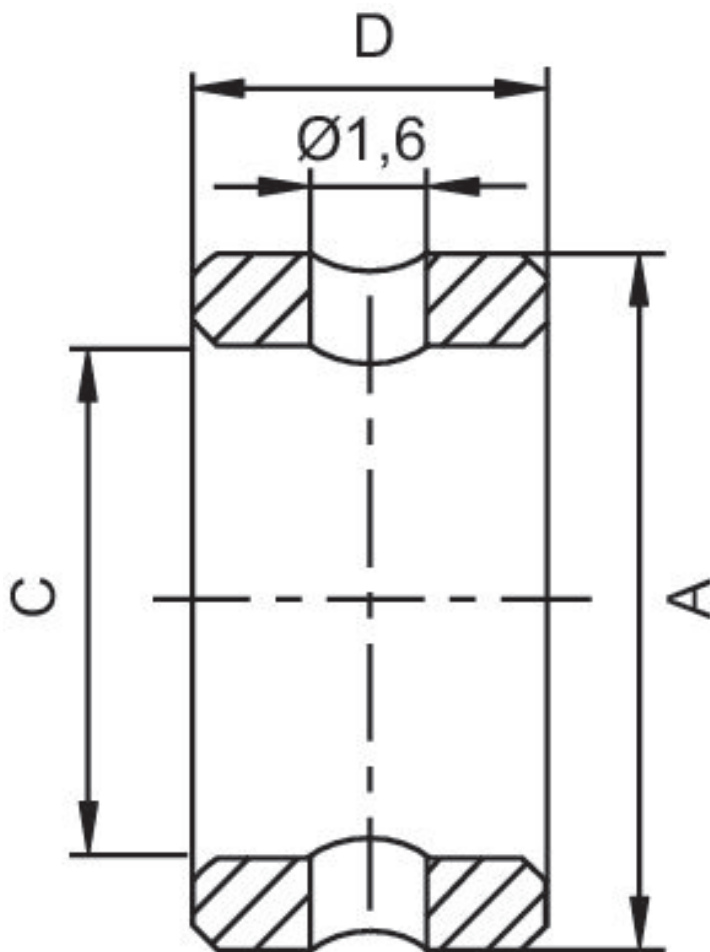
物料号	X 1)	Y 2)	X/Y A	X/Y B	X/Y C	D	m [kg]
R039110255	CKP-16 CKP-25	CKP-16	191 201	131 141	17.5	115	1.1
R039110256	CKP-25	CKP-25	226.5	152	18.5	145	1.5
R039110326	CKP-32	CKP-25	248	176	21	145	2.1
R039110258	CKP-32	CKP-32	286	193.5	21	175	2.8

1) 基本
2) 安装件
m = 质量

对中环



外部-Ø [mm]	供货范围 [件]	物料号
5,5	6	R412000669
7	6	R412000668
9	6	R412000670
12	6	R412000671
16	6	R402003731

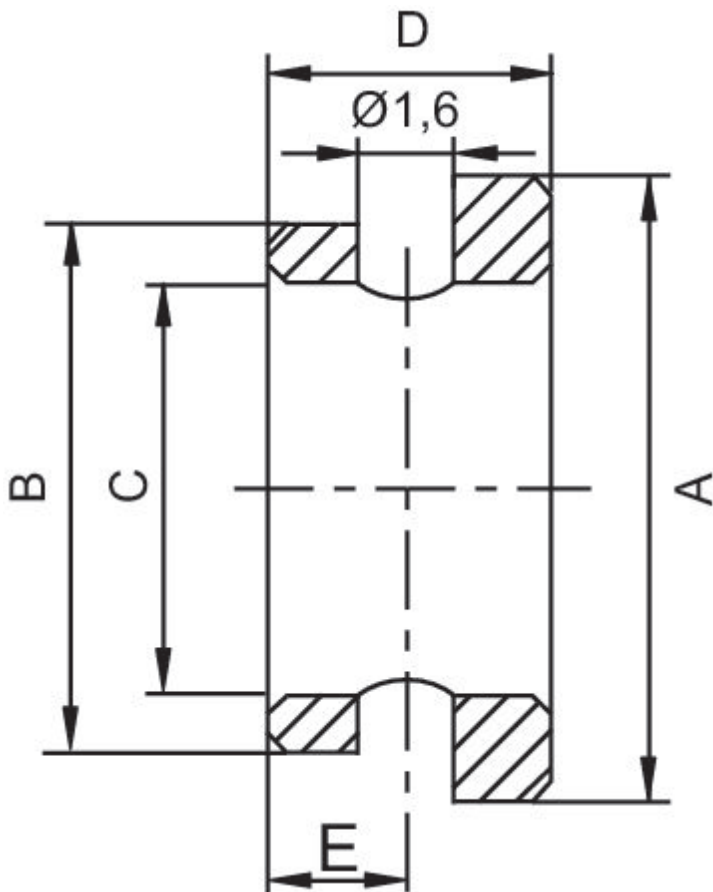


物料号	Ø	A k6	B k6	C ±0,1	D -0,2	E +0,2
R412000669	5	5	-	3,4	3	-
R412000668	7	7	-	5,5	3	-
R412000670	9	9	-	6,6	4	-
R412000671	12	12	-	9,0	4	-
R402003731	16	16	-	11	6	-

对中环



外部-Ø [mm]	供货范围 [件]	物料号
7,5	6	R412004030
9,5	6	R412004032
9,7	6	R412004033
12,9	6	R412004034
16, 12	6	R402003736



物料号	Ø	A k6	B k6	C ±0,1	D -0,2	E +0,2
R412004030	5-7	7	5	3,4	3	1,5
R412004032	5-9	9	5	3,4	3,5	1,5
R412004033	7-9	9	7	5,5	3,5	1,5
R412004034	9-12	12	9	6,6	4,0	2
R402003736	12-16	16	12	9	5	2

Efficient pneumatic solutions, our program: cylinders and drives, valves and valve systems, air supply management



Visit us: [Emerson.com/Aventics](https://www.emerson.com/Aventics)

Your local contact: [Emerson.com/contactus](https://www.emerson.com/contactus)



[Emerson.com](https://www.emerson.com)



[Facebook.com/EmersonAutomationSolutions](https://www.facebook.com/EmersonAutomationSolutions)



[LinkedIn.com/company/Emerson-Automation-Solutions](https://www.linkedin.com/company/Emerson-Automation-Solutions)



[Twitter.com/EMR_Automation](https://twitter.com/EMR_Automation)

An example configuration is depicted on the title page. The delivered product may thus vary from that in the illustration. Subject to change. This Document, as well as the data, specifications and other information set forth in it, are the exclusive property of AVENTICS GmbH. It may not be reproduced or given to third parties without its consent. Only use the AVENTICS products shown in industrial applications. Read the product documentation completely and carefully before using the product. Observe the applicable regulations and laws of the respective country. When integrating the product into applications, note the system manufacturer's specifications for safe use of the product. The data specified only serve to describe the product. No statements concerning a certain condition or suitability for a certain application can be derived from our information. The information given does not release the user from the obligation of own judgment and verification. It must be remembered that the products are subject to a natural process of wear and aging.

The Emerson logo is a trademark and service mark of Emerson Electric Co. Brand logotype are registered trademarks of one of the Emerson family of companies. All other marks are the property of their respective owners. © 2019 Emerson Electric Co. All rights reserved.



CONSIDER IT SOLVED™