

系列 SA2



AVENTICS™

AVENTICS SA2 系列工业减震器



系列 SA2

安沃驰 SA2 系列工业减震器为安沃驰执行机构而造。SA2 系列能可靠地降低移质量块的速度，从而提高过程速度、产品质量、生产设施的使用寿命，并降低作业噪音。

- 产品丰富
- 较高的能量吸收能力和更长的使用寿命
- 增强表面防腐性
- 一体化终点止动装置

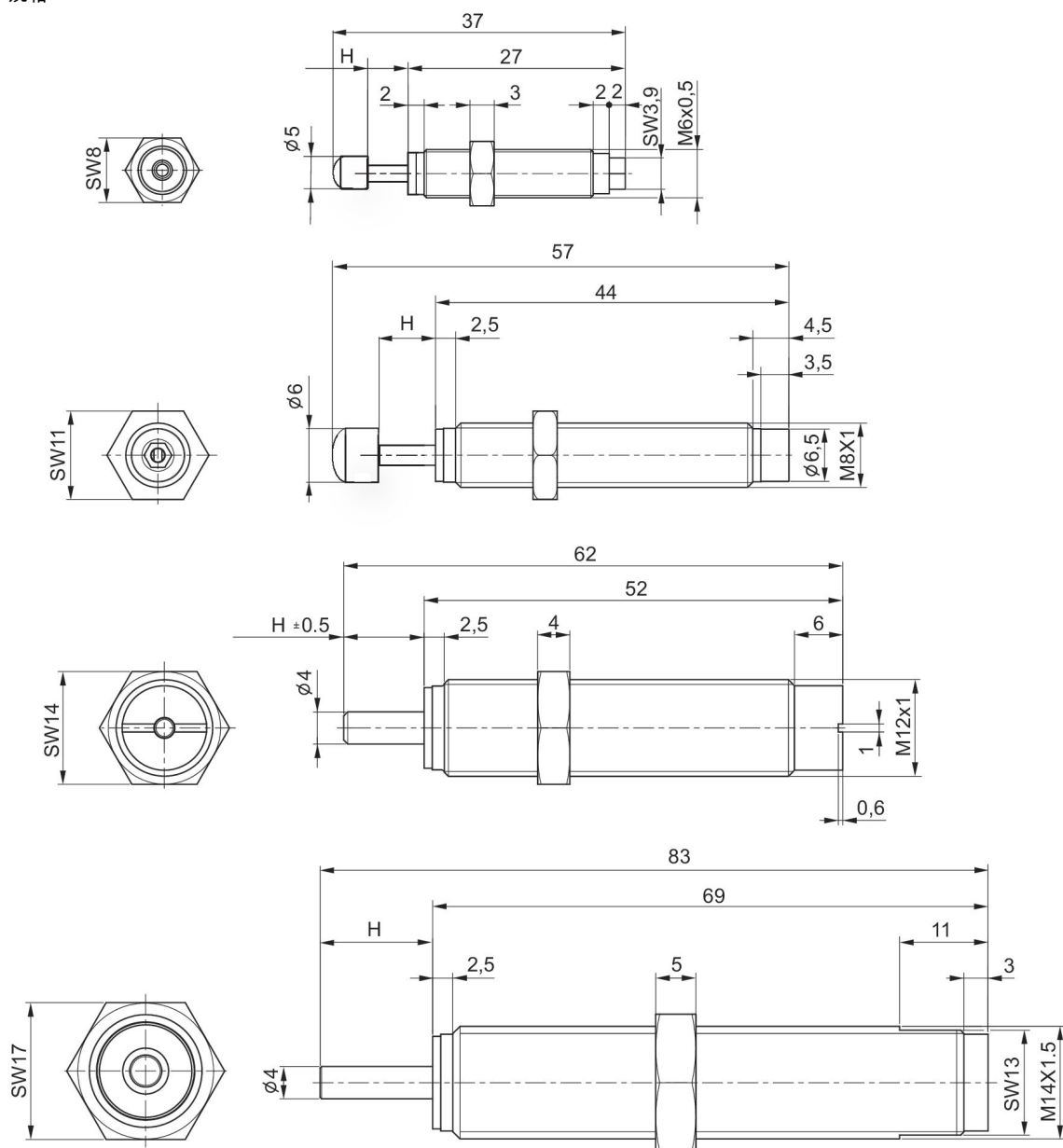


工业缓冲器, 系列 SA2-MS



固定螺纹	行程 [mm]	能量吸收/ 最大行程 [Nm]	能量吸收/ 最大小时 [Nm]	有效重量 me 最小 [kg]	有效重量 me 最大 [kg]	返回弹 簧力 最小 [N]	返回弹 簧力 最大 [N]	物料号
M8x1	7	3	14100	1.7	50	2.5	6	R412010370
M12x1	10	8	26000	5	57	3.5	7	R412010371

规格



H = 行程

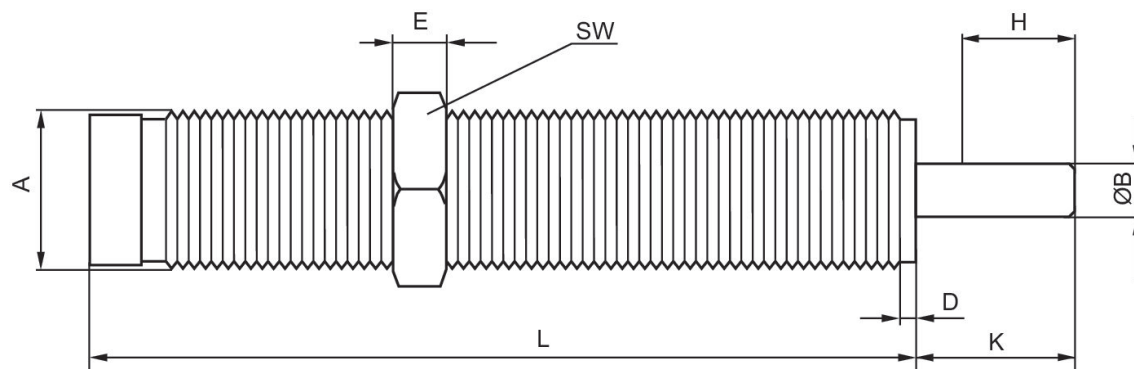
工业缓冲器, 系列 SA2-RC

RCM



固定螺纹	行程 [mm]	能量吸收/最大行程 [Nm]	能量吸收/最大小时 [Nm]	有效重量 me 最小 [kg]	有效重量 me 最大 [kg]	返回弹簧力 最小 [N]	返回弹簧力 最大 [N]	物料号
M8x1	6	4	14400	2.8	70	2.5	6	R412004751
M10x1	6	9	21000	6	280	3.5	8	R412004752
M12x1	8.5	16	30000	17	510	3.5	7	R412004753
M14x1,5	9.5	20	40000	100	420	23	35	R412010089

规格



H = 行程
A = 固定螺纹

物料号	用于系列	固定螺纹	ØB	D	E	H	K	L	SW
R412004751	RCM-12	M8x1	2.5	2.5	3	6	9	44	11
R412004752	RCM-16	M10x1	3	2.5	3	6	9	49.5	13
R412004753	RCM-20	M12x1	4	2.5	4	8.5	11	65	14
R412010089	RCM-25	M14x1,5	4	2.5	5	9.5	14	69	17

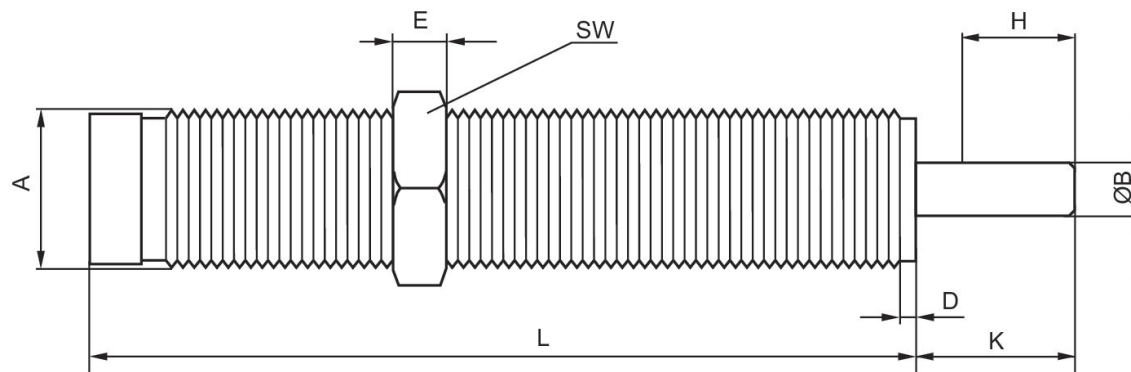
工业缓冲器, 系列 SA2-RT

RTC



固定螺纹	行程 [mm]	能量吸收/最大行程 [Nm]	能量吸收/最大小时 [Nm]	有效重量 me 最小 [kg]	有效重量 me 最大 [kg]	返回弹簧力 最小 [N]	返回弹簧力 最大 [N]	最小碰撞速度 [m/s]	最大碰撞速度 [m/s]	物料号
M12x1	10	14	30000	0.5	1.8	3.5	7	3.5	5	R412010695
M12x1	10	14	30000	1.5	7.7	3.5	7	1.9	4.3	R412010696
M12x1	10	14	30000	5	57	3.5	7	0.7	2.4	R412010697
M14x1,5	14	30	50000	3.5	17	13	23	1.9	4.1	R412010698
M14x1,5	14	30	50000	9.9	76	13	23	0.9	2.5	R412010699
M14x1,5	14	30	50000	62	252	13	23	0.5	1	R412010700
M20x1,5	13	65	52000	7.5	36	12	23	1.9	4.2	R412010701
M20x1,5	13	65	52000	20	160	12	23	0.9	2.6	R412010702
M20x1,5	13	65	52000	130	610	12	23	0.5	1	R412010703

规格



H = 行程
A = 固定螺纹

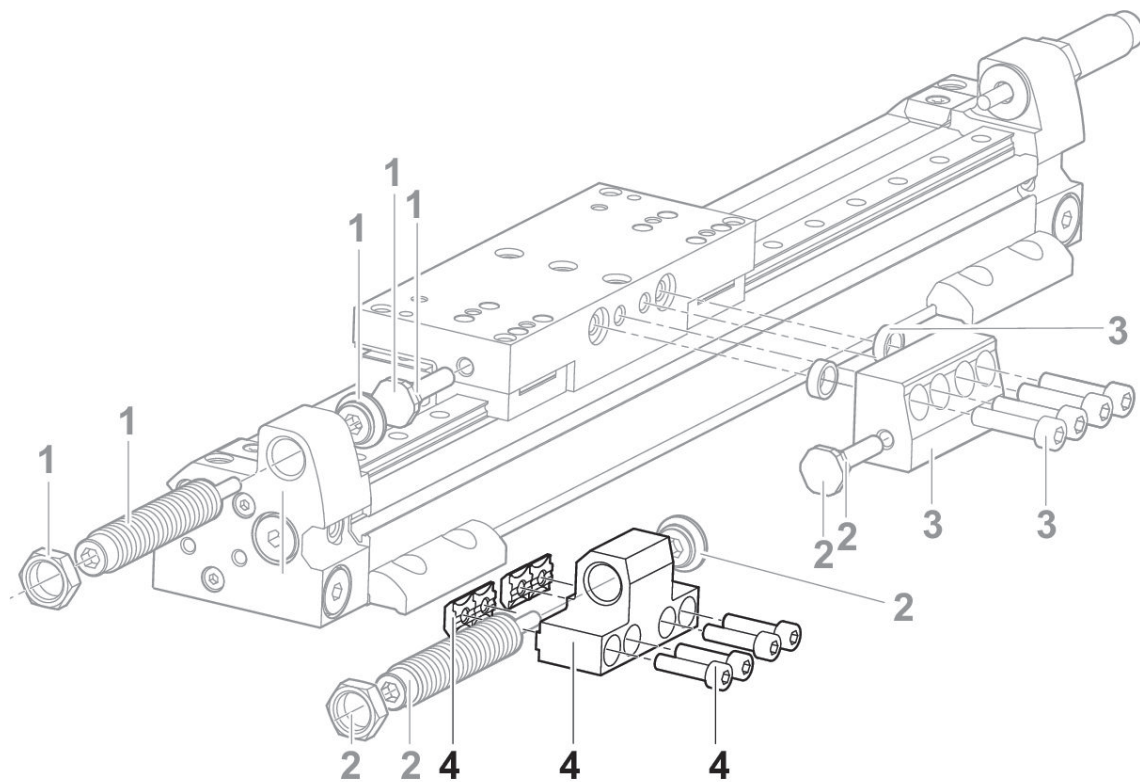
物料号	类型	固定螺纹	ØB	D	E	H	K	L	SW
R412010695	SA2-RT	M12x1	4	2.5	4	10	15	52	14
R412010696	SA2-RT	M12x1	4	2.5	4	10	15	52	14
R412010697	SA2-RT	M12x1	4	2.5	4	10	15	52	14
R412010698	SA2-RT	M14x1,5	4	2.5	5	14	18.5	69	17
R412010699	SA2-RT	M14x1,5	4	2.5	5	14	18.5	69	17
R412010700	SA2-RT	M14x1,5	4	2.5	5	14	18.5	69	17

物料号	类型	固定螺纹	ØB	D	E	H	K	L	SW
R412010701	SA2-RT	M20x1,5	6	2.5	6	13	18	75	24
R412010702	SA2-RT	M20x1,5	6	2.5	6	13	18	75	24
R412010703	SA2-RT	M20x1,5	6	2.5	6	13	18	75	24

用于行程长度设置的缓冲器支架



用于系列	物料号
RTC-SB	R412025646
RTC-SB	R412025647
RTC-SB	R412027256
RTC-HD, RTC-CG, CKP	R402002702
RTC-HD, RTC-CG, CKP	R402002703
RTC-HD, RTC-CG, CKP	R402002704
RTC-HD	R402003397

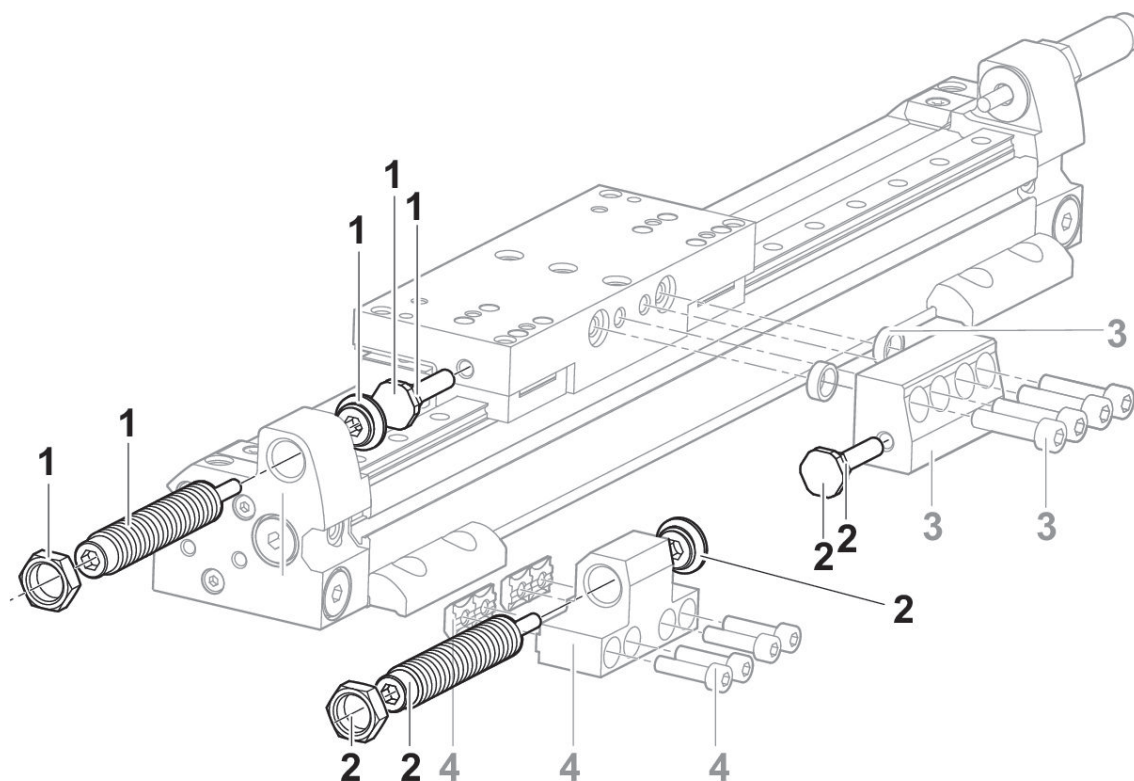


- 1) 缓冲器组件
- 2) 缓冲器组件
- 3) 冲击
- 4) 缓冲器支架

用于行程长度设置的缓冲器组件



用于系列	物料号
RTC-HD, RTC-CG, CKP	R412019543
RTC-HD, RTC-CG, CKP	R402002804
RTC-HD, RTC-CG, CKP	R402003618
RTC-HD, RTC-CG, CKP	R402002805
RTC-HD, RTC-CG, CKP	R402003619
RTC-HD, RTC-CG, CKP	R412019544
RTC-HD, RTC-CG	R402002806
RTC-HD, RTC-CG	R402003620
RTC-HD, RTC-CG, CKP	R412019545



- 1) 缓冲器组件
- 2) 缓冲器组件
- 3) 冲击
- 4) 缓冲器支架

Efficient pneumatic solutions, our program: cylinders and drives, valves and valve systems, air supply management



Visit us: [Emerson.com/Aventics](https://www.emerson.com/Aventics)

Your local contact: [Emerson.com/contactus](https://www.emerson.com/contactus)



[Emerson.com](https://www.emerson.com)



[Facebook.com/EmersonAutomationSolutions](https://www.facebook.com/EmersonAutomationSolutions)



[LinkedIn.com/company/Emerson-Automation-Solutions](https://www.linkedin.com/company/Emerson-Automation-Solutions)



[Twitter.com/EMR_Automation](https://twitter.com/EMR_Automation)

An example configuration is depicted on the title page. The delivered product may thus vary from that in the illustration. Subject to change. This Document, as well as the data, specifications and other information set forth in it, are the exclusive property of AVENTICS GmbH. It may not be reproduced or given to third parties without its consent. Only use the AVENTICS products shown in industrial applications. Read the product documentation completely and carefully before using the product. Observe the applicable regulations and laws of the respective country. When integrating the product into applications, note the system manufacturer's specifications for safe use of the product. The data specified only serve to describe the product. No statements concerning a certain condition or suitability for a certain application can be derived from our information. The information given does not release the user from the obligation of own judgment and verification. It must be remembered that the products are subject to a natural process of wear and aging.

The Emerson logo is a trademark and service mark of Emerson Electric Co. Brand logotype are registered trademarks of one of the Emerson family of companies. All other marks are the property of their respective owners. © 2019 Emerson Electric Co. All rights reserved.



CONSIDER IT SOLVED™