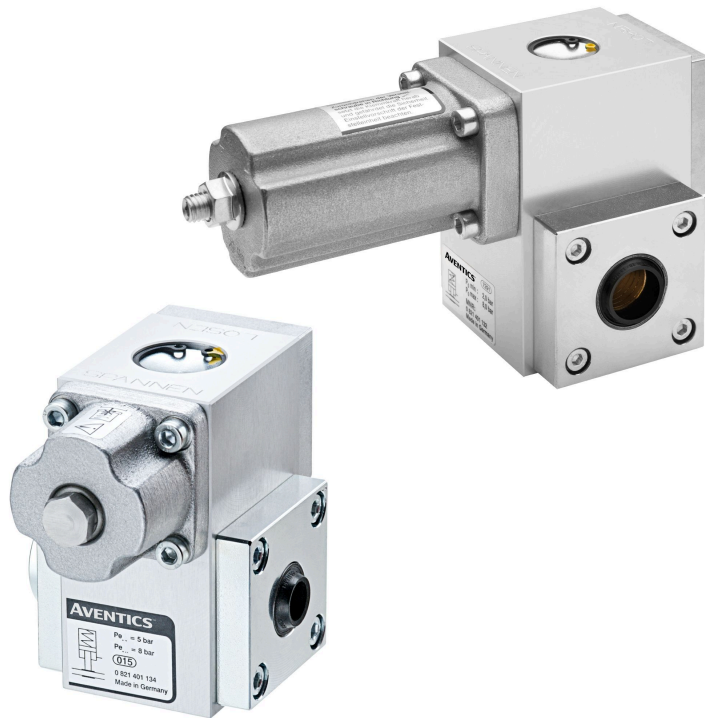


Locking units



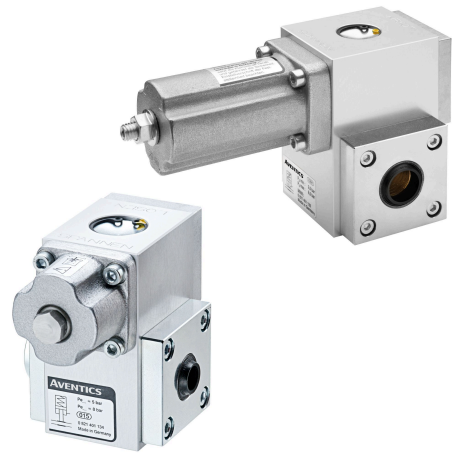
AVENTICS™

AVENTICS Series LU1 Locking units

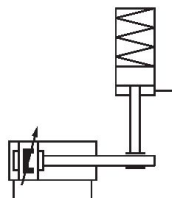

EMERSON™

Locking units

The AVENTICS Series LU1 is a an holding unit using eccentric movement to hold the piston rod in any position.

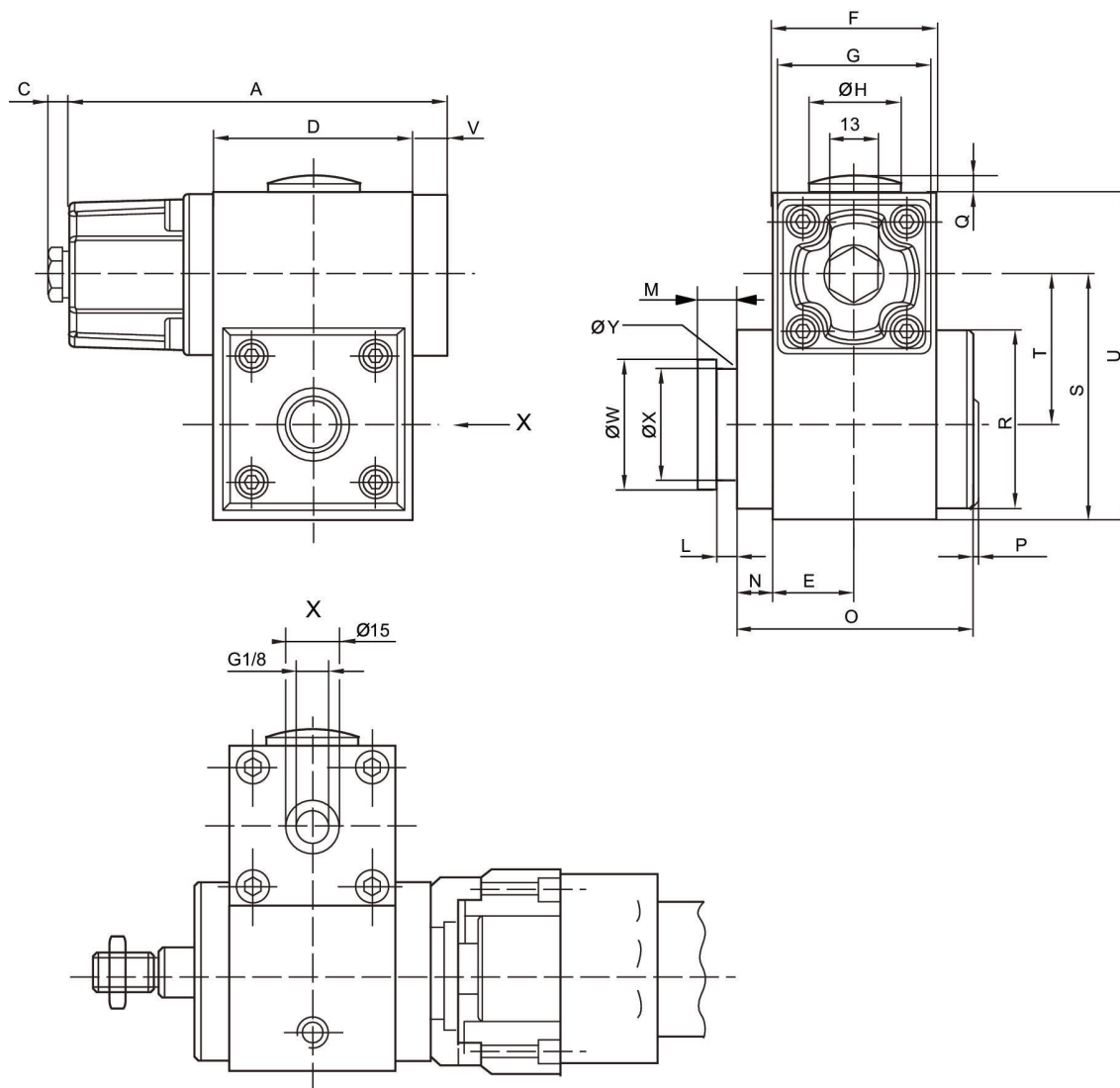


Locking unit, Series LU1



Piston Ø [mm]	suitable piston rod diameter [mm]	Piston rod extension [mm]	Compressed air connection	Release pressure min. [bar]	Release pressure max. [bar]	Static holding force [N]	Part No.
32	12	79	G 1/8	4.5	8	740	R412003730
32	12	79	G 1/8	5.5	8	840	0821401134
40	16	81	G 1/8	4.5	8	1000	R412003731
40	16	81	G 1/8	5.5	8	1100	0821401135
50, 63	20	100	G 1/8	4.5	8	2300	R412003732
50, 63	20	100	G 1/8	5.5	8	2700	0821401136
80, 100	25	140	G 1/8	4.5	8	4000	R412003733
80, 100	25	140	G 1/8	5.5	8	5800	0821401137

Dimensions



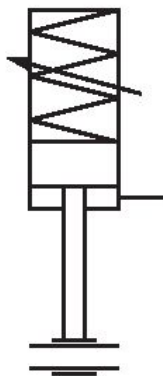
Piston Ø	Part No.	A	C	D	E	F	G	Ø H	L	M
32	R412003730	106	6	56	23	46	45	30	4.1	8
32	0821401134	106	6	56	23	46	45	30	4.1	8
40	R412003731	106	6	56	23	46	45	30	5.1	10
40	0821401135	106	6	56	23	46	45	30	5.1	10
50, 63	R412003732	139.5	6	69	30	60	55	30	5.1	10
50, 63	0821401136	139.5	6	69	30	60	55	30	5.1	10
80, 100	R412003733	176.5	6	100	40	80	65	37.5	8.1	16
80, 100	0821401137	176.5	6	100	40	80	65	37.5	8.1	16

Piston Ø	N	O	P	Q	R	S	T	U	V	Ø W
32	9	65	3	2.5	50	68.5	41.9	91.5	10	29.9
32	9	65	3	2.5	50	68.5	41.9	91.5	10	29.9
40	9	65	3	2.5	50	68.5	40.5	91.5	10	39.9

Piston Ø	N	O	P	Q	R	S	T	U	V	Ø W
40	9	65	3	2.5	50	68.5	40.5	91.5	10	39.9
50, 63	9	83.5	3	2.5	60	79.5	48	110	10	39.9
50, 63	9	83.5	3	2.5	60	79.5	48	110	10	39.9
80, 100	13	118	3	2	90	119	72	155	10	54.9
80, 100	13	118	3	2	90	119	72	155	10	54.9

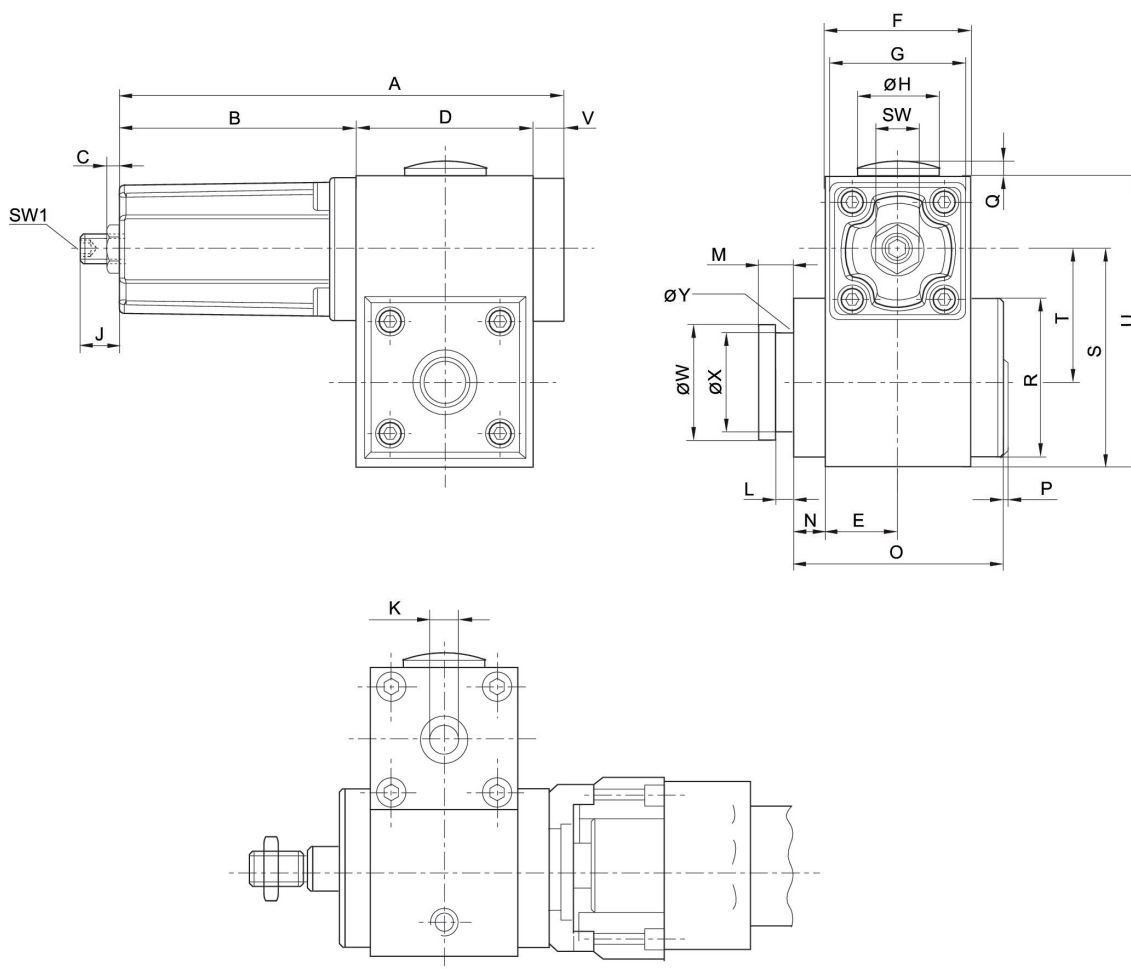
Piston Ø	Ø X	Ø Y
32	24	3
32	24	3
40	30	3
40	30	3
50, 63	30	3
50, 63	30	3
80, 100	40	5
80, 100	40	5

Locking unit, Series LU1



Piston Ø [mm]	suitable piston rod diameter [mm]	Piston rod extension [mm]	Compressed air connection	Release pressure min. [bar]	Release pressure max. [bar]	Static holding force [N]	Part No.
32	12	79	G 1/8	2	8	840	0821401130
40	16	81	G 1/8	2	8	1100	0821401131
50, 63	20	100	G 1/8	2	8	2700	0821401132
80, 100	25	140	G 1/8	2	8	5800	0821401133

Dimensions

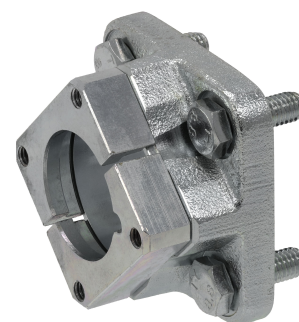


Piston Ø	Part No.	A	B	C	D	E	F	G	ØH	J
32	0821401130	135	69	10	56	23	46	45	30	19
40	0821401131	135	69	10	56	23	46	45	30	18
50, 63	0821401132	169	90	10	69	30	60	55	30	17
80, 100	0821401133	208	98	16.7	100	40	80	65	37.5	15

Piston Ø	K	L	M	N	O	P	Q	R	S	SW
32	G 1/8	4.1	8	9	65	3	2.5	50	69	15
40	G 1/8	5.1	10	9	65	3	2.5	50	69	15
50, 63	G 1/8	5.1	10	9	84	3	2.5	60	80	15
80, 100	G 1/8	8.1	16	13	118	3	2	90	119	24

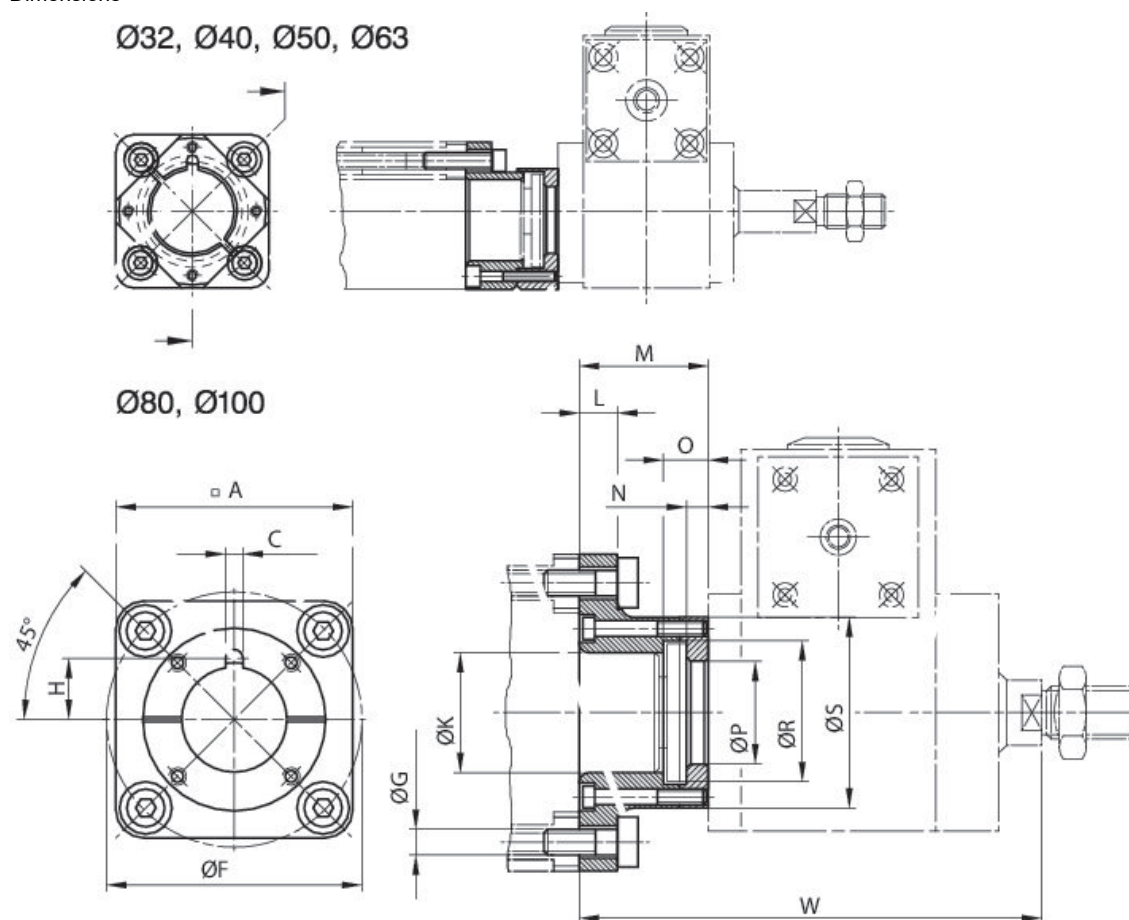
Piston Ø	SW1	T	U	V	ØW	ØX	ØY
32	5	41.9	92	10	29.9	24	3
40	5	40.5	92	10	39.9	30	3
50, 63	5	48	111	10	39.9	30	3
80, 100	8	72	155	10	54.9	40	5

Mounting flange, Series LU1



Suitable piston Ø [mm]	Piston Ø [mm]	Part No.
32	32	1827001504
40	40	1827001505
50	50	1827001506
63	63	1827001508
80	80	1827001433
100	100	1827001434

Dimensions



Screws included in scope of delivery
The locking unit can be rotated by 4x90°.

Piston Ø	Part No.	A	C +0,1	Ø F ±0,2	G H13	H	Ø K H10	L	M	N -0,1
32	1827001504	50	3.6	46	6.6	13.2	30	7	27.2	3.9
40	1827001505	57	3.6	54	6.6	18.2	35	9.5	33.3	4.9
50	1827001506	68	3.6	66	8.4	18.2	40	11	38.3	4.9
63	1827001508	75	3.6	80	8.4	18.2	45	11	38.3	4.9
80	1827001433	95	6	102	10.5	24.5	45	15	52	7.9
100	1827001434	115	6	126	10.5	24.6	55	15	57	7.9

Piston Ø	O	Ø P +0,2	Ø R +0,5	Ø S	W
32	8	24.2	33	46.5	105
40	10	30.2	40	55.5	111
50	10	30.2	40	66	137
63	10	30.2	40	71	137
80	16	40.2	55	75	186
100	16	40.2	55	80	191

Efficient pneumatic solutions, our program: cylinders and drives, valves and valve systems, air supply management



Visit us: [Emerson.com/Aventics](https://www.emerson.com/aventics)

Your local contact: [Emerson.com/contactus](https://www.emerson.com/contactus)



[Emerson.com](https://www.emerson.com)



[Facebook.com/EmersonAutomationSolutions](https://www.facebook.com/EmersonAutomationSolutions)



[LinkedIn.com/company/Emerson-Automation-Solutions](https://www.linkedin.com/company/Emerson-Automation-Solutions)



[Twitter.com/EMR_Automation](https://twitter.com/EMR_Automation)

An example configuration is depicted on the title page. The delivered product may thus vary from that in the illustration. Subject to change. This Document, as well as the data, specifications and other information set forth in it, are the exclusive property of AVENTICS GmbH. It may not be reproduced or given to third parties without its consent. Only use the AVENTICS products shown in industrial applications. Read the product documentation completely and carefully before using the product. Observe the applicable regulations and laws of the respective country. When integrating the product into applications, note the system manufacturer's specifications for safe use of the product. The data specified only serve to describe the product. No statements concerning a certain condition or suitability for a certain application can be derived from our information. The information given does not release the user from the obligation of own judgment and verification. It must be remembered that the products are subject to a natural process of wear and aging.

The Emerson logo is a trademark and service mark of Emerson Electric Co. Brand logotype are registered trademarks of one of the Emerson family of companies. All other marks are the property of their respective owners. © 2019 Emerson Electric Co. All rights reserved.



CONSIDER IT SOLVED™