

Unidade de fixação



AVENTICS™

**AVENTICS série HU1 Unidades
bloqueadoras**

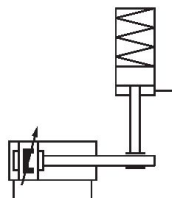

EMERSON™

Unidade de fixação

A AVENTICS série HU1 é uma unidade bloqueadora que usa força de mola. É possível trocar o cartucho de bloqueio em caso de desgaste.

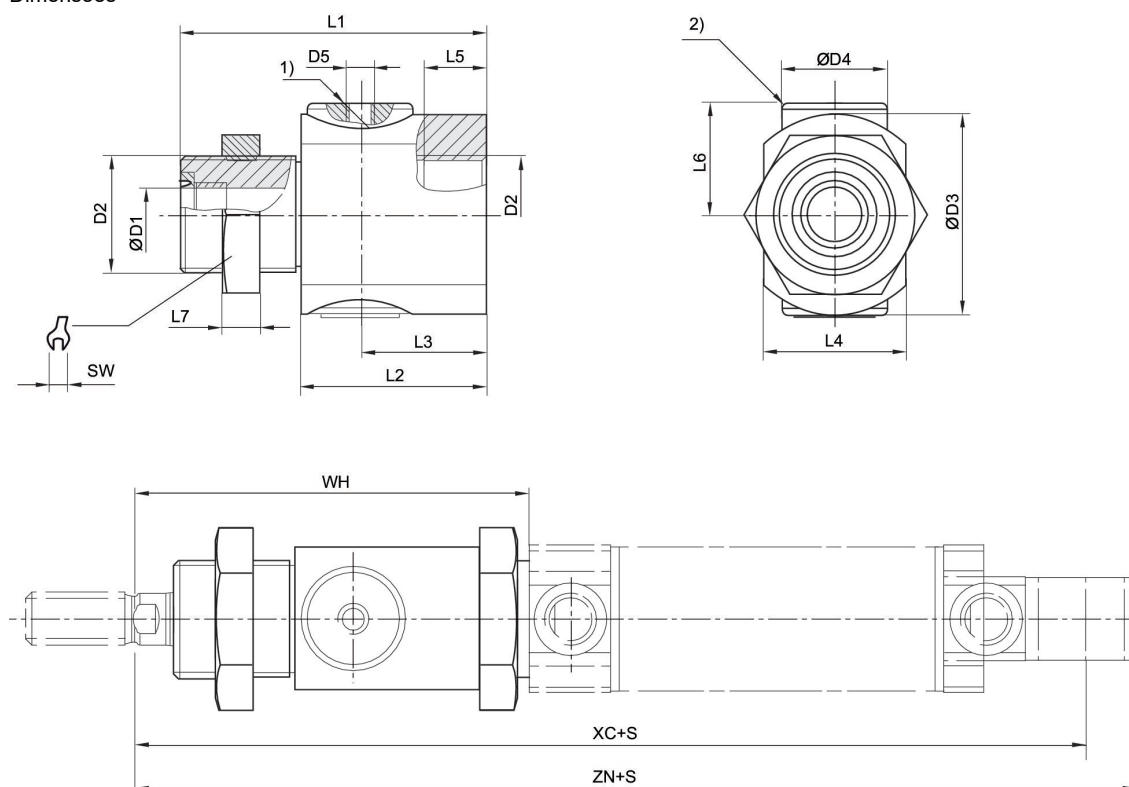


Unidade de fixação, Série HU1



Ø De pistão [mm]	diâmetro adequado da haste do pistão [mm]	Extensão de hastes do pistão [mm]	Conexão de ar comprimido	Força de retenção estática [N]	N° de material
20	8	54	M5	300	0821401163
25	10	51	M5	400	0821401164

Dimensões

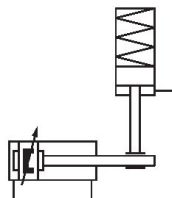


- 1) conexão de ar
- 2) Cartucho de retenção
- S = curso

Ø De pistão	N° de material	ØD1	D2	ØD3	ØD4	D5	L1	L2	L3	L4
20	0821401163	8	M22x1,5	38	20	M5	58	35	24	27
25	0821401164	10	M22x1,5	38	20	M5	58	35	24	27

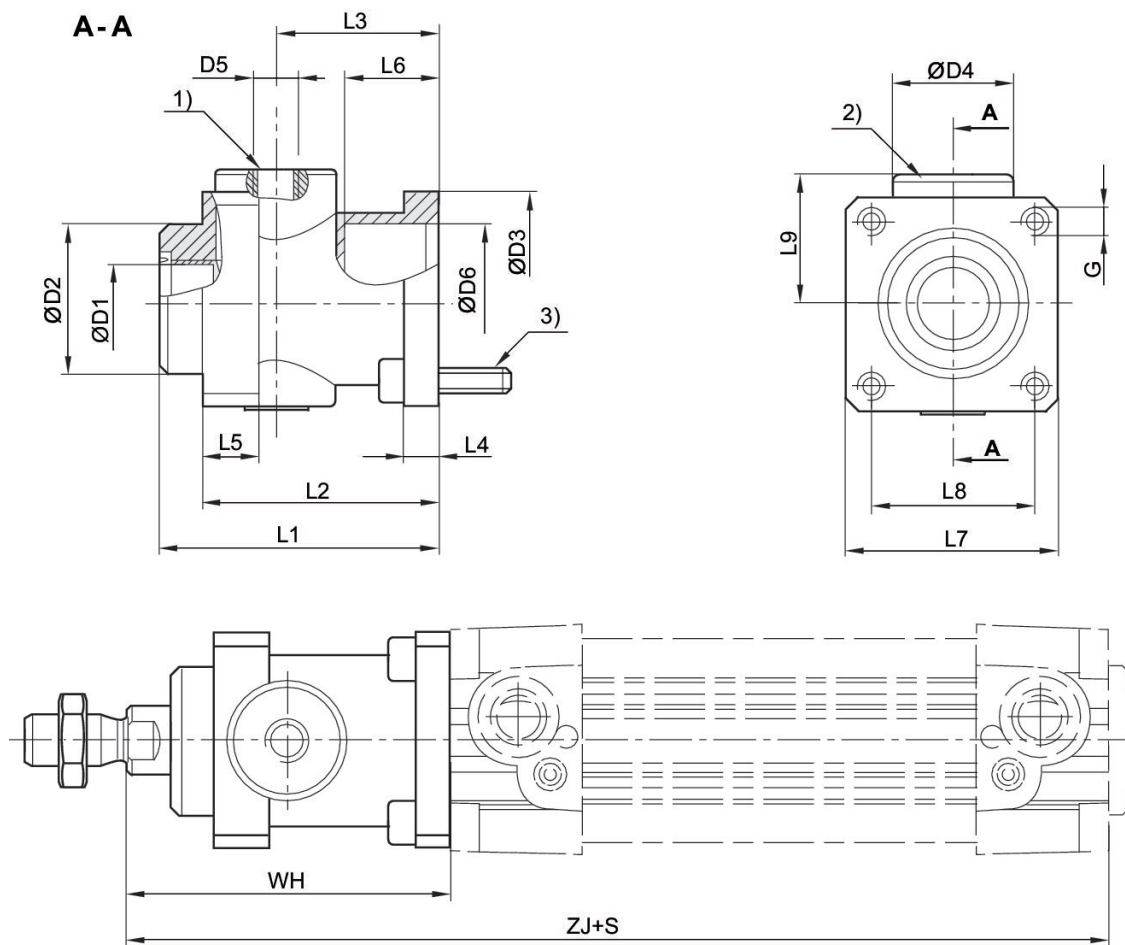
Ø De pistão	L5	L6	L7	SW	WH	XC	ZN
20	12	21	7	30	78	149	163.5
25	12	21	7	30	79	155	170.5

Unidade de fixação, Série HU1



Ø De pistão [mm]	diâmetro adequado da haste do pistão [mm]	Extensão de hastes do pistão [mm]	Conexão de ar comprimido	Força de retenção estática [N]	N° de material
32	12	42	M5	650	0821401165
40	16	45	G 1/8	1100	0821401166
50	20	57	G 1/8	1600	0821401167
63	20	57	G 1/8	2500	0821401168
80	25	77	G 1/8	4000	0821401169
100	25	77	G 1/8	6300	0821401170

Dimensões



- 1) conexão de ar
 - 2) Cartucho de retenção
 - 3) parafusos de fixação 4x
- S = curso

Ø De pistão	Nº de material	Ø D1	Ø D2	Ø D3	Ø D4	D5	L1	L2	L3	L4
32	0821401165	12	30	35	25	M5	58	48	34	8
40	0821401166	16	35	40	28	G 1/8	65	55	38	8
50	0821401167	20	40	50	35	G 1/8	82	70	48	15
63	0821401168	20	45	60	38	G 1/8	82	70	49.5	15
80	0821401169	25	45	80	48	G 1/8	110	90	61	18
100	0821401170	25	55	100	58	G 1/8	115	100	69	18

Ø De pistão	L5	L6	L7	L8	L9	G	WH	ZJ
32	13	20.5	45	32.5	25.5	M6	68	162
40	13	22.5	50	38	30	M6	75	180
50	16	29.5	60	46.5	36	M8	94	200
63	16	29.5	70	56.5	40	M8	94	215
80	20	35	90	72	50	M10	123	251
100	20	-	105	89	58	M10	128	266

Efficient pneumatic solutions, our program: cylinders and drives, valves and valve systems, air supply management



Visit us: [Emerson.com/Aventics](https://www.emerson.com/aventics)

Your local contact: [Emerson.com/contactus](https://www.emerson.com/contactus)



[Emerson.com](https://www.emerson.com)



[Facebook.com/EmersonAutomationSolutions](https://www.facebook.com/EmersonAutomationSolutions)



[LinkedIn.com/company/Emerson-Automation-Solutions](https://www.linkedin.com/company/Emerson-Automation-Solutions)



[Twitter.com/EMR_Automation](https://twitter.com/EMR_Automation)

An example configuration is depicted on the title page. The delivered product may thus vary from that in the illustration. Subject to change. This Document, as well as the data, specifications and other information set forth in it, are the exclusive property of AVENTICS GmbH. It may not be reproduced or given to third parties without its consent. Only use the AVENTICS products shown in industrial applications. Read the product documentation completely and carefully before using the product. Observe the applicable regulations and laws of the respective country. When integrating the product into applications, note the system manufacturer's specifications for safe use of the product. The data specified only serve to describe the product. No statements concerning a certain condition or suitability for a certain application can be derived from our information. The information given does not release the user from the obligation of own judgment and verification. It must be remembered that the products are subject to a natural process of wear and aging.

The Emerson logo is a trademark and service mark of Emerson Electric Co. Brand logotype are registered trademarks of one of the Emerson family of companies. All other marks are the property of their respective owners. © 2019 Emerson Electric Co. All rights reserved.



CONSIDER IT SOLVED™