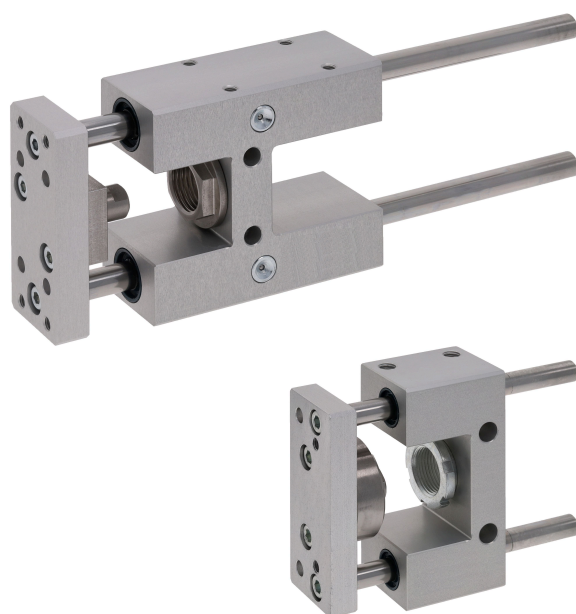
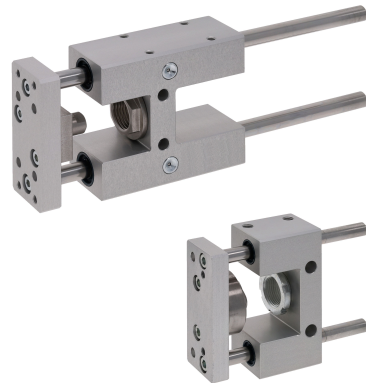


Unités de guidage

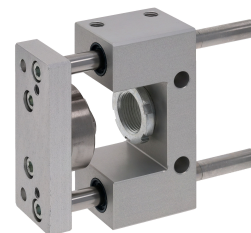


Unités de guidage



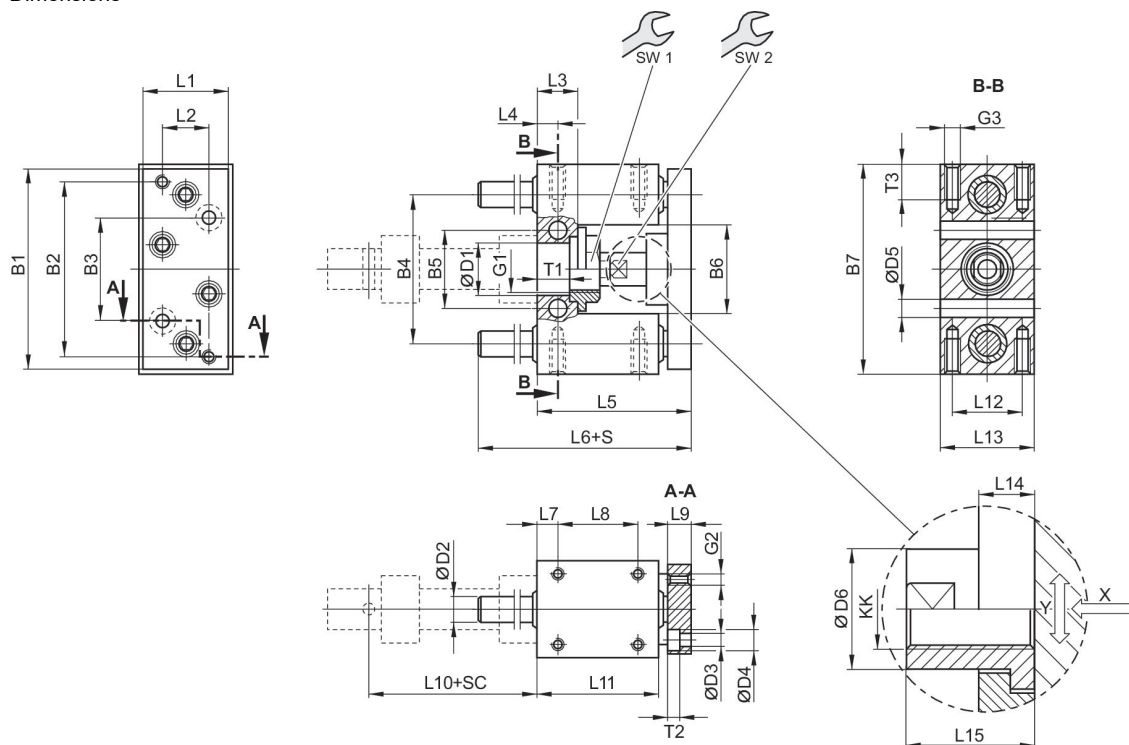
Unité de guidage GU1, Série CG1

Palier lisse



Diamètre de piston [mm]	Course [mm]	Poids 0 mm course [kg]	Poids +10 mm course [kg]	Référence
12	50	0.247	0.0078	0821401095
12	100	0.247	0.0078	0821401096
12	200	0.247	0.0078	0821401097

Dimensions



S = course
SC = course du vérin
X = jeu maxi (axial)
Y = jeu mini (radial)

Ø du piston	B1	B2	B3	B4	B5	B6	B7	D1	D2	D3
12	63	54	32	46	24	27	65	16 H7	8	4.5

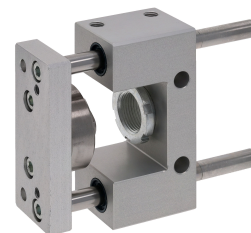
Ø du piston	D4	D5	D6	G1	G2	G3	KK	L1	L2	L3
12	8	5.5	10	M16x1,5	M4	M4	M6	27	15	13

Ø du piston	L4	L5	L6	L7	L8	L9	L10	L11	L12	L13
12	6.5	53	73	6.5	25	10	52.6	38	22	30

Ø du piston	L14	L15	SW1	SW2	T1	T2	T3
12	7	18	19	8	10.6	4.6	8

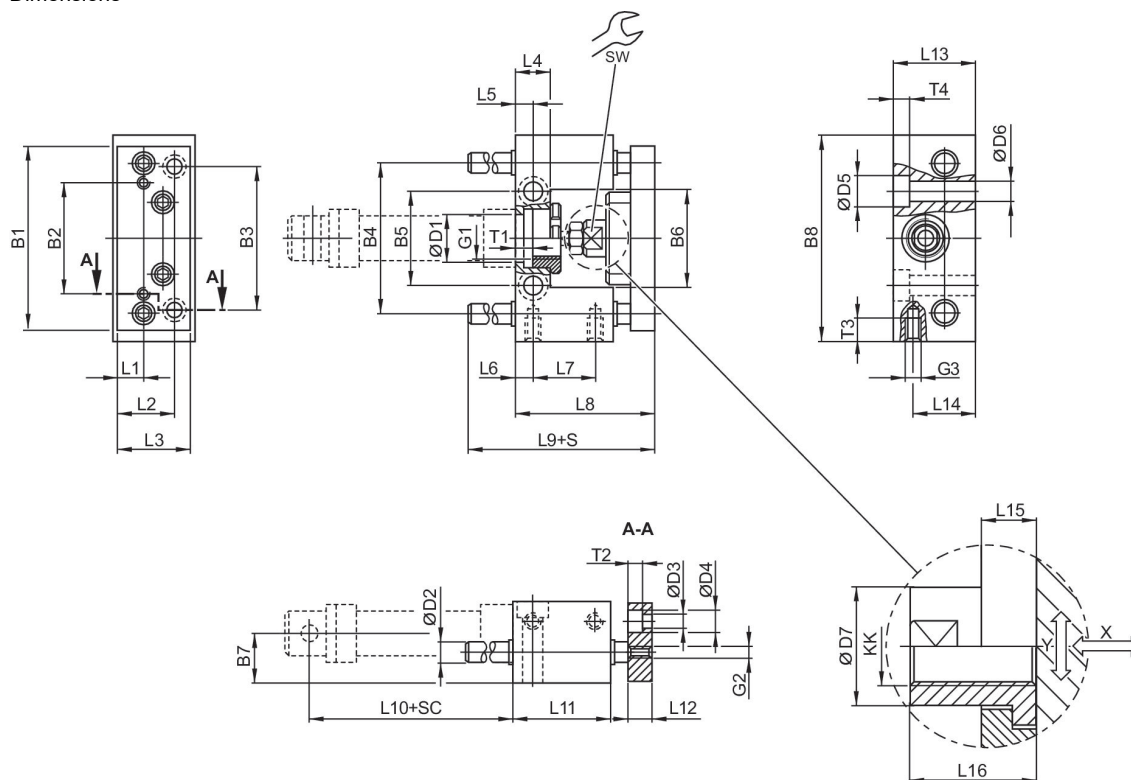
Unité de guidage GU1, Série CG1

Palier lisse



Diamètre de piston [mm]	Course [mm]	Poids 0 mm course [kg]	Poids +10 mm course [kg]	Référence
20	50	0.66	0.0122	0821401070
20	100	0.66	0.0122	0821401071
20	160	0.66	0.0122	0821401072
20	200	0.66	0.0122	0821401073
20	250	0.66	0.0122	0821401074
20	400	0.66	0.0122	0821401075
20	800	0.66	0.0122	0821401077
20	1000	0.66	0.0122	0821401078
25	50	0.66	0.0122	0821401080
25	100	0.66	0.0122	0821401081
25	160	0.66	0.0122	0821401082
25	200	0.66	0.0122	0821401083
25	250	0.66	0.0122	0821401084
25	400	0.66	0.0122	0821401085
25	600	0.66	0.0122	0821401086
25	800	0.66	0.0122	0821401087

Dimensions



S = course
SC = course du vérin
X = jeu maxi (axial)
Y = jeu mini (radial)

Ø du piston	B1	B2	B3	B4	B5	B6	B7	B8	D1	D2
20	90	55	70	74	46.5	48	24	100	22 H7	10
25	90	55	70	74	46.5	48	24	100	22 H7	10

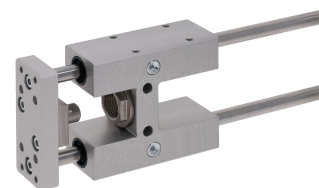
Ø du piston	D3	D4	D5	D6	D7	G1	G2	G3	KK	L1
20	6.6	11	15	9	18	M22x1,5	M6	M8	M8	14
25	6.6	11	15	9	18	M22x1,5	M6	M8	M10x1,25	14

Ø du piston	L2	L3	L4	L5	L6	L7	L8	L9	L10	L11
20	29	38	17	8.5	8	32	65	77	71	48
25	29	38	17	8.5	8	32	71	77	76	48

Ø du piston	L12	L13	L14	L15	L16	T1	T2	T3	T4	SW
20	12	40	30	14	22	8	7	14	9	15
25	12	40	30	14	22	8	7	14	9	15

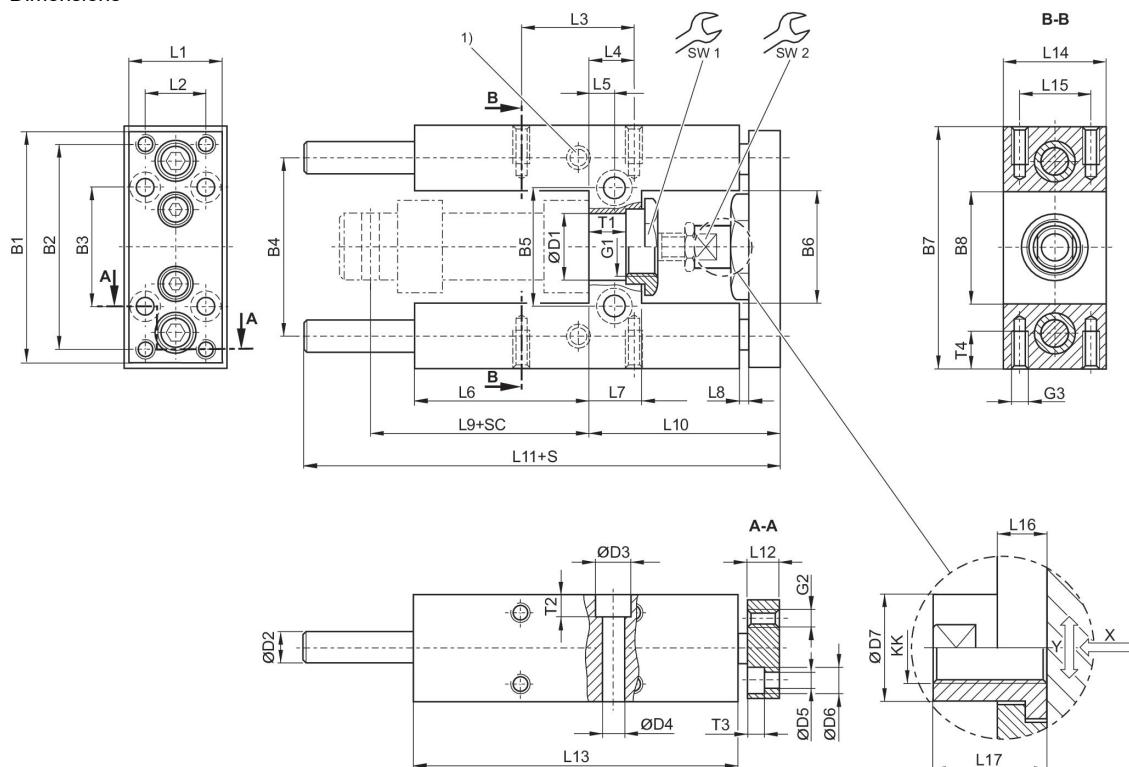
Unité de guidage GH1, Série CG1

Palier lisse



Diamètre de piston [mm]	Course [mm]	Poids 0 mm course [kg]	Poids +10 mm course [kg]	Référence
12	50	0.395	0.0078	0821401295
12	100	0.395	0.0078	0821401296
12	200	0.395	0.0078	0821401297
20	50	0.73	0.0122	0821401200
20	100	0.73	0.0122	0821401201
20	160	0.73	0.0122	0821401202
20	200	0.73	0.0122	0821401203
20	250	0.73	0.0122	0821401204
20	400	0.73	0.0122	0821401205
20	600	0.73	0.0122	0821401206
20	800	0.73	0.0122	0821401207
25	50	0.73	0.0122	0821401210
25	100	0.73	0.0122	0821401211
25	160	0.73	0.0122	0821401212
25	200	0.73	0.0122	0821401213
25	250	0.73	0.0122	0821401214
25	400	0.73	0.0122	0821401215
25	600	0.73	0.0122	0821401216
25	800	0.73	0.0122	0821401217

Dimensions



- 1) Graisseur
- S = course
- SC = course du vérin
- X = jeu maxi (axial)
- Y = jeu mini (radial)

Ø du piston	Référence	B1	B2	B3	B4	B5	B6	B7	B8	D1
12	0821401295	63	54	32	46	24	27	65	27	16 H7
20	0821401200	76	68	40	58	38	37	79	37	22 H7
25	0821401210	76	68	40	58	38	37	79	37	22 H7

Ø du piston	D2	D3	D4	D5	D6	D7	G1	G2	G3	KK
12	8	–	5.5	4.5	8	10	M16x1,5	M4	M4	M6
20	10	11	6.6	5.5	10.5	14.5	M22x1,5	M5	M6	M8
25	10	11	6.6	5.5	10.5	14.5	M22x1,5	M5	M6	M10x1,25

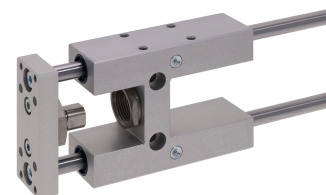
Ø du piston	L1	L2	L3	L4	L5	L6	L7	L8	L9	L10
12	27	15	32.5	11	6.5	37	13	3	52.6	51
20	32	20	32.5	15	8.5	58	17	3	71	65
25	32	20	32.5	15	8.5	58	17	3	76	65

Ø du piston	L11	L12	L13	L14	L15	L16	L17	SW1	SW2	T1
12	133	10	75	30	22	7	18	19	8	10.6
20	160.5	12	108	34	23	6	22	27	13	11
25	160.5	12	108	34	23	6	17	27	13	11

Ø du piston	T2	T3	T4
12	–	4.6	8
20	7	5.7	14
25	7	5.7	14

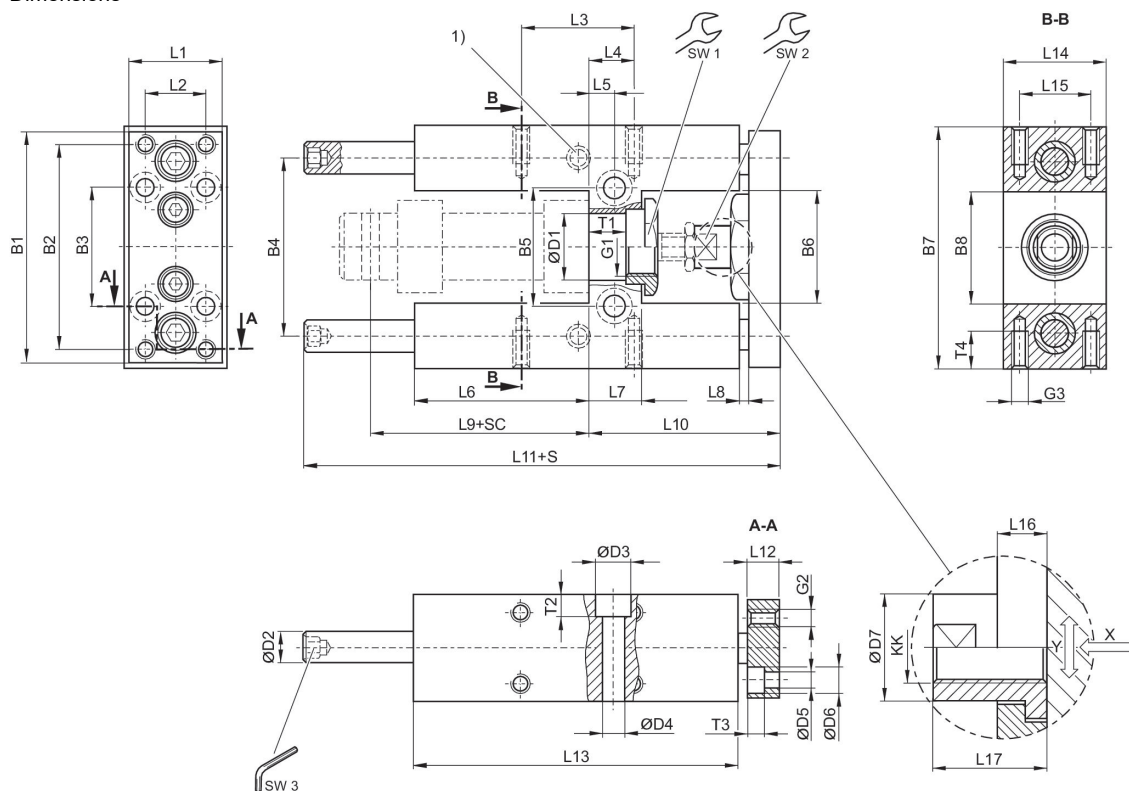
Unité de guidage GH2, Série CG1

Roulement à billes linéaire



Diamètre de piston [mm]	Course [mm]	Poids 0 mm course [kg]	Poids +10 mm course [kg]	Référence
12	50	0.395	0.0078	0821401395
12	100	0.395	0.0078	0821401396
12	200	0.395	0.0078	0821401397
20	50	0.73	0.012	0821401300
20	100	0.73	0.012	0821401301
20	250	0.73	0.012	0821401302
20	400	0.73	0.012	0821401303
20	600	0.73	0.012	0821401304
20	800	0.73	0.012	0821401305
25	50	0.73	0.012	0821401310
25	100	0.73	0.012	0821401311
25	250	0.73	0.012	0821401312
25	400	0.73	0.012	0821401313
25	600	0.73	0.012	0821401314
25	800	0.73	0.012	0821401315

Dimensions



- 1) Graisseur
- S = course
- SC = course du vérin
- X = jeu maxi (axial)
- Y = jeu mini (radial)
- Six pans dans la tige de guidage

Ø du piston	Référence	B1	B2	B3	B4	B5	B6	B7	B8	D1
12	0821401395	63	54	32	46	24	27	65	27	16 H7
20	0821401300	76	68	40	58	38	37	79	37	22 H7
25	0821401310	76	68	40	58	38	37	79	37	22 H7

Ø du piston	D2	D3	D4	D5	D6	D7	G1	G2	G3	KK
12	8	–	5.5	4.5	8	10	M16x1,5	M4	M4	M6
20	10	11	6.6	5.5	10.5	14.5	M22x1,5	M5	M6	M8
25	10	11	6.6	5.5	10.5	14.5	M22x1,5	M5	M6	M10x1,25

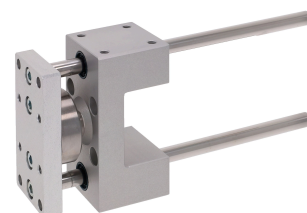
Ø du piston	L1	L2	L3	L4	L5	L6	L7	L8	L9	L10
12	27	15	32.5	11	6.5	37	13	3	52.6	51
20	32	20	32.5	15	8.5	58	17	3	71	65
25	32	20	32.5	15	8.5	58	17	3	76	65

Ø du piston	L11	L12	L13	L14	L15	L16	L17	SW1	SW2	SW3
12	133	10	75	30	22	7	18	19	8	4
20	160.5	12	108	34	23	6	22	27	13	5
25	160.5	12	108	34	23	6	17	27	13	5

Ø du piston	T1	T2	T3	T4
12	10.6	–	4.6	8
20	11	7	5.7	14
25	11	7	5.7	14

Unité de guidage GU1, Série CG1

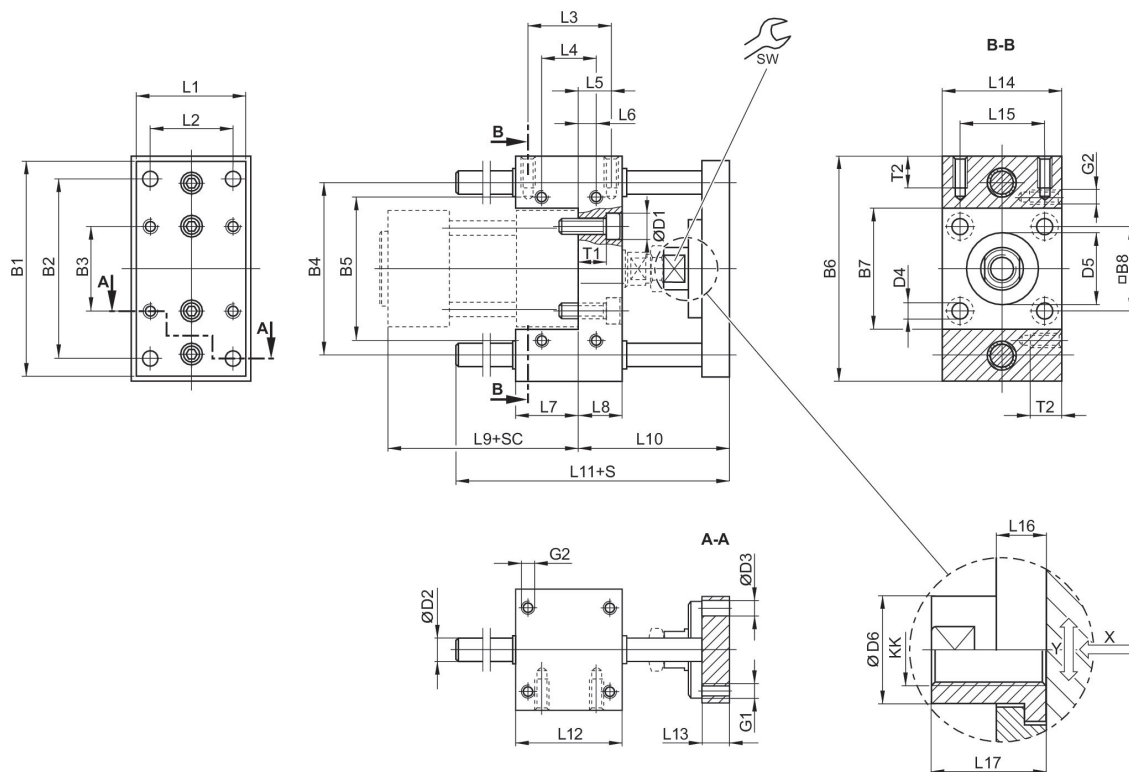
Palier lisse



Diamètre de piston [mm]	Course [mm]	Poids 0 mm course [kg]	Poids +10 mm course [kg]	Référence
32	50	0.63	0.0122	0821401010
32	100	0.63	0.0122	0821401011
32	160	0.63	0.0122	0821401012
32	200	0.63	0.0122	0821401013
32	250	0.63	0.0122	0821401014
32	320	0.63	0.0122	0821401015
32	400	0.63	0.0122	0821401016
32	500	0.63	0.0122	0821401017
32	600	0.63	0.0122	0821401018
32	800	0.63	0.0122	0821401019
32	1000	0.63	0.0122	0821401500
32	1200	0.63	0.0122	0821401501
40	50	0.946	0.0176	0821401020
40	100	0.946	0.0176	0821401021
40	160	0.946	0.0176	0821401022
40	200	0.946	0.0176	0821401023
40	250	0.946	0.0176	0821401024
40	320	0.946	0.0176	0821401025
40	400	0.946	0.0176	0821401026
40	500	0.946	0.0176	0821401027
40	600	0.946	0.0176	0821401028
40	800	0.946	0.0176	0821401029
40	1000	0.946	0.0176	0821401502
40	1200	0.946	0.0176	0821401503
50	50	1.36	0.0176	0821401030
50	100	1.36	0.0176	0821401031
50	160	1.36	0.0176	0821401032
50	200	1.36	0.0176	0821401033
50	250	1.36	0.0176	0821401034
50	320	1.36	0.0176	0821401035
50	400	1.36	0.0176	0821401036

Diamètre de piston [mm]	Course [mm]	Poids 0 mm course [kg]	Poids +10 mm course [kg]	Référence
50	500	1.36	0.0176	0821401037
50	600	1.36	0.0176	0821401038
50	800	1.36	0.0176	0821401039
50	1000	1.36	0.0176	0821401504
50	1200	1.36	0.0176	0821401505
63	50	1.66	0.0176	0821401480
63	100	1.66	0.0176	0821401481
63	160	1.66	0.0176	0821401482
63	200	1.66	0.0176	0821401483
63	250	1.66	0.0176	0821401484
63	320	1.66	0.0176	0821401485
63	400	1.66	0.0176	0821401486
63	500	1.66	0.0176	0821401487
63	600	1.66	0.0176	0821401488
63	800	1.66	0.0176	0821401489
63	1000	1.66	0.0176	0821401490
63	1200	1.66	0.0176	0821401491
80	50	3.45	0.0222	0821401050
80	100	3.45	0.0222	0821401051
80	160	3.45	0.0222	0821401052
80	200	3.45	0.0222	0821401053
80	250	3.45	0.0222	0821401054
80	320	3.45	0.0222	0821401055
80	400	3.45	0.0222	0821401056
80	500	3.45	0.0222	0821401057
80	600	3.45	0.0222	0821401058
80	800	3.45	0.0222	0821401059
80	1000	3.45	0.0222	0821401508
80	1200	3.45	0.0222	0821401509
100	50	4.69	0.0222	0821401060
100	100	4.69	0.0222	0821401061
100	200	4.69	0.0222	0821401063
100	160	4.69	0.0222	0821401062
100	250	4.69	0.0222	0821401064
100	320	4.69	0.0222	0821401065
100	400	4.69	0.0222	0821401066
100	500	4.69	0.0222	0821401067
100	600	4.69	0.0222	0821401068
100	800	4.69	0.0222	0821401069
100	1000	4.69	0.0222	0821401510
100	1200	4.69	0.0222	0821401511

Dimensions



S = course
SC = course du vérin
X = jeu maxi (axial)
Y = jeu mini (radial)

Ø du piston	B1	B2	B3	B4	B5	B6	B7	B8	D1	D2
32	90	78	32.5	74	58	100	48	32.5	11	10
40	100	84	38	80	64	106	54	38	11	12
50	120	100	46.5	96	80	125	66	46.5	15	12
63	125	105	56.5	104	95	132	76	56.5	15	12
80	155	130	72	130	130	165	98	72	18	16
100	175	150	89	150	150	185	118	89	18	16

Ø du piston	D3	D4	D5	D6	G1	G2	KK	L1	L2	L3
32	6.6	6.6	30 M8	18	M6	M6	M10x1,25	45	32.5	32.5
40	6.6	6.6	35 M8	18	M6	M6	M12x1,25	50	38	38
50	9	9	40 M8	24	M8	M8	M16x1,5	60	46.5	46.5
63	9	9	45 M8	24	M8	M8	M16x1,5	70	56.5	56.5
80	11	11	45 M8	30	M10	M10	M20x1,5	90	72	72
100	11	11	55 M8	30	M10	M10	M20x1,5	110	89	89

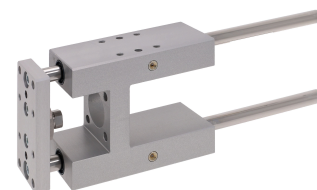
Ø du piston	L4	L5	L6	L7	L8	L9	L10	L11	L12	L13
32	32.5	9.25	9.25	31	17	94	69	106	48	12
40	38	11	11	37	21	105	74	117	58	12
50	46.5	18.75	18.75	34	25	106	89	129	59	15

Ø du piston	L4	L5	L6	L7	L8	L9	L10	L11	L12	L13
63	56.5	15.25	15.25	51	25	121	89	146	76	15
80	50	25	14	56	34	128	106	170	90	16
100	70	28.5	19	71	39	138	111	190	110	16

Ø du piston	L14	L15	L16	L17	SW	T1	T2
32	48	32.5	14	22	15	10	14
40	56	38	14	22	15	14	14
50	66	46.5	14	26	22	16	16
63	76	56.5	14	26	22	16	16
80	98	72	14	32	27	24	20
100	118	89	14	32	27	29	20

Unité de guidage GH1, Série CG1

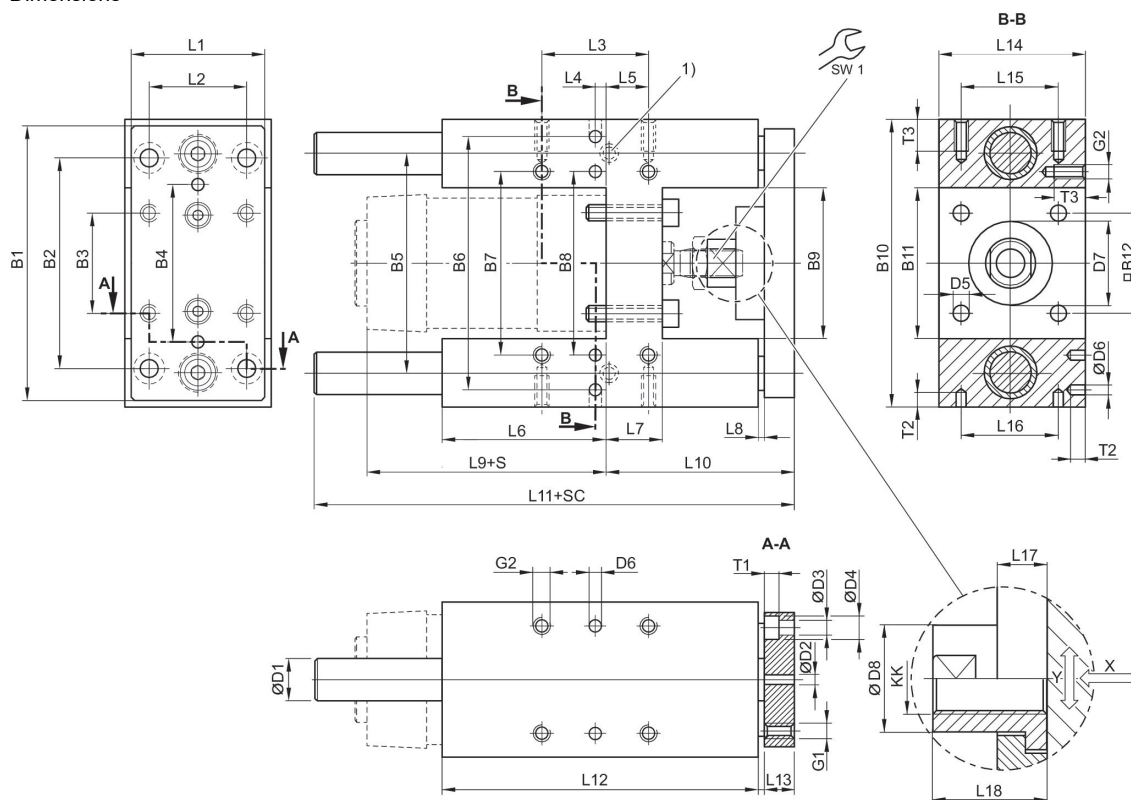
Palier lisse



Diamètre de piston [mm]	Course [mm]	Poids 0 mm course [kg]	Poids +10 mm course [kg]	Référence
32	50	1.3	0.009	0821401220
32	100	1.3	0.009	0821401221
32	160	1.3	0.009	0821401222
32	200	1.3	0.009	0821401223
32	250	1.3	0.009	0821401224
32	320	1.3	0.009	0821401225
32	400	1.3	0.009	0821401226
32	500	1.3	0.009	0821401227
32	600	1.3	0.009	0821401228
32	800	1.3	0.009	0821401229
32	1000	1.3	0.009	0821401470
32	1200	1.3	0.009	0821401471
40	50	2.3	0.016	0821401230
40	100	2.3	0.016	0821401231
40	160	2.3	0.016	0821401232
40	200	2.3	0.016	0821401233
40	250	2.3	0.016	0821401234
40	320	2.3	0.016	0821401235
40	400	2.3	0.016	0821401236
40	500	2.3	0.016	0821401237
40	600	2.3	0.016	0821401238
40	800	2.3	0.016	0821401239
40	1000	2.3	0.016	0821401472
40	1200	2.3	0.016	0821401473
50	50	3.7	0.025	0821401240
50	100	3.7	0.025	0821401241
50	160	3.7	0.025	0821401242
50	200	3.7	0.025	0821401243
50	250	3.7	0.025	0821401244
50	320	3.7	0.025	0821401245
50	400	3.7	0.025	0821401246

Diamètre de piston [mm]	Course [mm]	Poids 0 mm course [kg]	Poids +10 mm course [kg]	Référence
50	500	3.7	0.025	0821401247
50	600	3.7	0.025	0821401249
50	800	3.7	0.025	0821401474
50	1000	3.7	0.025	0821401475
50	1200	3.7	0.025	0821401476
63	50	4.7	0.025	0821401280
63	100	4.7	0.025	0821401281
63	160	4.7	0.025	0821401285
63	200	4.7	0.025	0821401282
63	250	4.7	0.025	0821401286
63	320	4.7	0.025	0821401283
63	400	4.7	0.025	0821401287
63	500	4.7	0.025	0821401284
63	600	4.7	0.025	0821401288
63	800	4.7	0.025	0821401289
63	1000	4.7	0.025	0821401290
63	1200	4.7	0.025	0821401291
80	100	8.8	0.039	0821401260
80	200	8.8	0.039	0821401261
80	320	8.8	0.039	0821401262
80	500	8.8	0.039	0821401263
80	600	8.8	0.039	0821401264
80	800	8.8	0.039	0821401265
80	1000	8.8	0.039	0821401266
80	1200	8.8	0.039	0821401267
100	100	11.1	0.039	0821401270
100	200	11.1	0.039	0821401271
100	320	11.1	0.039	0821401272
100	500	11.1	0.039	0821401273
100	600	11.1	0.039	0821401274
100	800	11.1	0.039	0821401275
100	1000	11.1	0.039	0821401276
100	1200	11.1	0.039	0821401277

Dimensions



- 1) Graisseur
- S = course
- SC = course du vérin
- X = jeu maxi (axial)
- Y = jeu mini (radial)

Ø du piston	B1	B2	B3	B4	B5	B6	B7	B8	B9	B10
32	90	78	32.5	50	74	81	61	61	50.2	97
40	110	84	38	54	87	99	69	69	58.2	115
50	130	100	46.5	72	104	119	85	85	70.2	137
63	145	105	56.5	82	119	132	100	100	85.2	152
80	180	130	72	106	148	166	130	130	105.4	189
100	200	150	89	131	172	190	150	150	130.4	213

Ø du piston	B11	B12	D1	D2 H7	D3	D4	D5	D6 H7	D7 M8	D8
32	50.2	32.5	12	6	6.6	11	6.6	6	30	14.5
40	58.2	38	16	6	6.6	11	6.6	6	35	18
50	70.2	46.5	20	6	9	15	9	6	40	24
63	85.2	56.5	20	6	9	15	9	6	45	24
80	105.4	72	25	6	11	18	11	6	45	30
100	130.4	89	25	6	11	18	11	6	55	30

Ø du piston	G1	G2	KK	L1	L2	L3	L4	L5	L6	L7
32	M6	M6	M10x1,25	45	32.5	32.5	12	4.25	76	17
40	M6	M6	M12x1,25	54	38	38	8	11	81	21

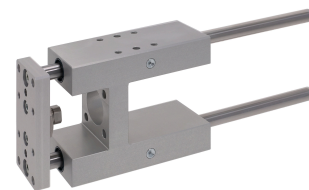
Ø du piston	G1	G2	KK	L1	L2	L3	L4	L5	L6	L7
50	M8	M8	M16x1,5	63	46.5	46.5	4.5	18.75	79	26
63	M8	M8	M16x1,5	80	56.5	56.5	13	15.25	111	26
80	M10	M10	M20x1,5	100	72	72	15	21	128	34
100	M10	M10	M20x1,5	120	89	89	20	24.5	128	39

Ø du piston	L8	L9	L10	L11	L12	L13	L14	L15	L16	L17
32	3	94	64	177.5	125	12	50	32.5	32.5	6
40	3	105	74	192.5	140	12	58	38	38	14
50	3	106	89	205	150	15	70	46.5	46.5	14
63	3	121	89	237	182	15	85	56.5	56.5	14
80	3	128	110	280	215	20	105	72	72	14
100	3	138	115	280	220	20	130	89	89	14

Ø du piston	L18	T1	T2	T3	SW1
32	17	6.5	10	15	13
40	22	6.5	10	15	15
50	26	9	10	16	22
63	26	9	10	16	22
80	32	11	10	20	27
100	32	11	10	20	27

Unité de guidage GH2, Série CG1

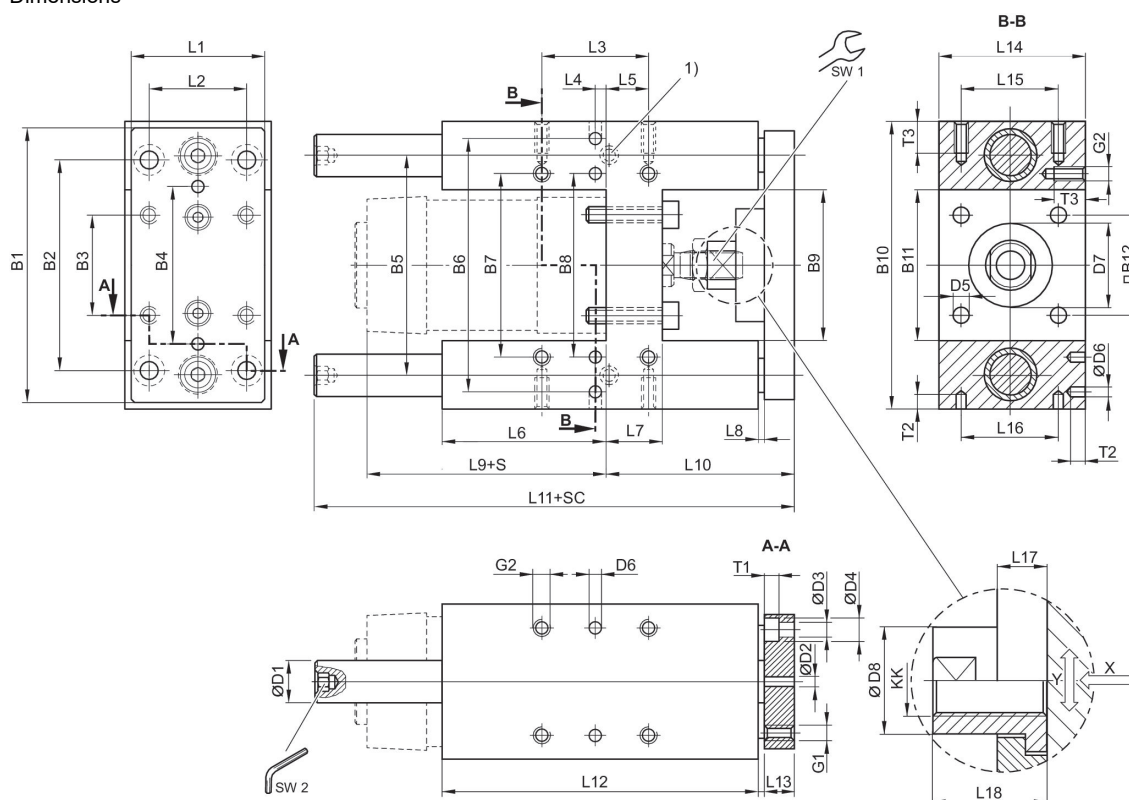
Roulement à billes linéaire



Diamètre de piston [mm]	Course [mm]	Poids 0 mm course [kg]	Poids +10 mm course [kg]	Référence
32	50	1.3	0.009	0821401320
32	100	1.3	0.009	0821401321
32	200	1.3	0.009	0821401322
32	320	1.3	0.009	0821401323
32	500	1.3	0.009	0821401324
32	600	1.3	0.009	0821401325
32	800	1.3	0.009	0821401326
32	1000	1.3	0.009	0821401327
32	1200	1.3	0.009	0821401328
40	50	2.3	0.016	0821401330
40	100	2.3	0.016	0821401331
40	200	2.3	0.016	0821401332
40	320	2.3	0.016	0821401333
40	500	2.3	0.016	0821401334
40	600	2.3	0.016	0821401335
40	800	2.3	0.016	0821401336
40	1000	2.3	0.016	0821401337
40	1200	2.3	0.016	0821401338
50	50	3.7	0.025	0821401340
50	100	3.7	0.025	0821401341
50	200	3.7	0.025	0821401342
50	320	3.7	0.025	0821401343
50	500	3.7	0.025	0821401344
50	600	3.7	0.025	0821401345
50	800	3.7	0.025	0821401346
50	1000	3.7	0.025	0821401347
50	1200	3.7	0.025	0821401348
63	50	4.7	0.025	0821401380
63	100	4.7	0.025	0821401381
63	200	4.7	0.025	0821401382
63	320	4.7	0.025	0821401383

Diamètre de piston [mm]	Course [mm]	Poids 0 mm course [kg]	Poids +10 mm course [kg]	Référence
63	500	4.7	0.025	0821401384
63	600	4.7	0.025	0821401385
63	800	4.7	0.025	0821401386
63	1000	4.7	0.025	0821401387
63	1200	4.7	0.025	0821401388
80	100	8.8	0.039	0821401360
80	200	8.8	0.039	0821401361
80	320	8.8	0.039	0821401362
80	500	8.8	0.039	0821401363
80	600	8.8	0.039	0821401364
80	800	8.8	0.039	0821401365
80	1000	8.8	0.039	0821401366
80	1200	8.8	0.039	0821401367
100	100	11.1	0.039	0821401370
100	200	11.1	0.039	0821401371
100	320	11.1	0.039	0821401372
100	500	11.1	0.039	0821401373
100	600	11.1	0.039	0821401374
100	800	11.1	0.039	0821401375
100	1000	11.1	0.039	0821401376
100	1200	11.1	0.039	0821401377

Dimensions



- 1) Graisseur
- S = course
- SC = course du vérin
- X = jeu maxi (axial)
- Y = jeu mini (radial)
- Six pans dans la tige de guidage

Ø du piston	B1	B2	B3	B4	B5	B6	B7	B8	B9	B10
32	90	78	32.5	50	74	81	61	61	50.2	97
40	110	84	38	54	87	99	69	69	58.2	115
50	130	100	46.5	72	104	119	85	85	70.2	137
63	145	105	56.5	82	119	132	100	100	85.2	152
80	180	130	72	106	148	166	130	130	105.4	189
100	200	150	89	131	172	190	150	150	130.4	213

Ø du piston	B11	B12	D1	D2 H7	D3	D4	D5	D6 H7	D7 M8	D8
32	50.2	32.5	12	6	6.6	11	6.6	6	30	14.5
40	58.2	38	16	6	6.6	11	6.6	6	35	18
50	70.2	46.5	20	6	9	15	9	6	40	24
63	85.2	56.5	20	6	9	15	9	6	45	24
80	105.4	72	25	6	11	18	11	6	45	30
100	130.4	89	25	6	11	18	11	6	55	30

Ø du piston	G1	G2	KK	L1	L2	L3	L4	L5	L6	L7
32	M6	M6	M10x1,25	45	32.5	32.5	12	4.25	76	17

Ø du piston	G1	G2	KK	L1	L2	L3	L4	L5	L6	L7
40	M6	M6	M12x1,25	54	38	38	8	11	81	21
50	M8	M8	M16x1,5	63	46.5	46.5	4.5	18.75	79	26
63	M8	M8	M16x1,5	80	56.5	56.5	13	15.25	111	26
80	M10	M10	M20x1,5	100	72	72	15	21	128	34
100	M10	M10	M20x1,5	120	89	89	20	24.5	128	39

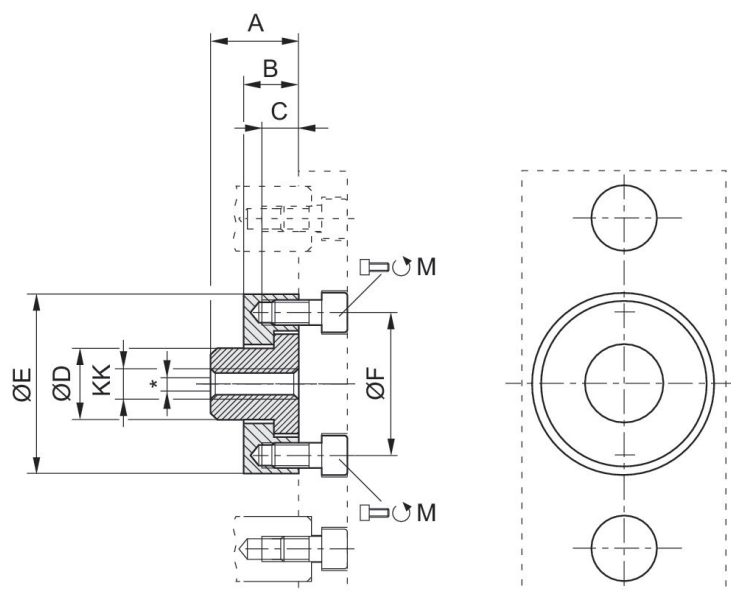
Ø du piston	L8	L9	L10	L11	L12	L13	L14	L15	L16	L17
32	3	94	64	177.5	125	12	50	32.5	32.5	6
40	3	105	74	192.5	140	12	58	38	38	14
50	3	106	89	237	150	15	70	46.5	46.5	14
63	3	121	89	237	182	15	85	56.5	56.5	14
80	3	128	110	280	215	20	105	72	72	14
100	3	138	115	280	220	20	130	89	89	14

Ø du piston	L18	T1	T2	T3	SW1	SW2
32	17	6.5	10	15	13	5
40	22	6.5	10	15	15	6
50	26	9	10	16	22	6
63	26	9	10	16	22	6
80	32	11	10	20	27	8
100	32	11	10	20	27	8

Accouplement compensateur angulaire GU3 en A, série CG1



Taille du filetage	Matériau	Référence
M8	Acier inoxydable	R413000277
M10x1,25	Acier inoxydable	R413000278

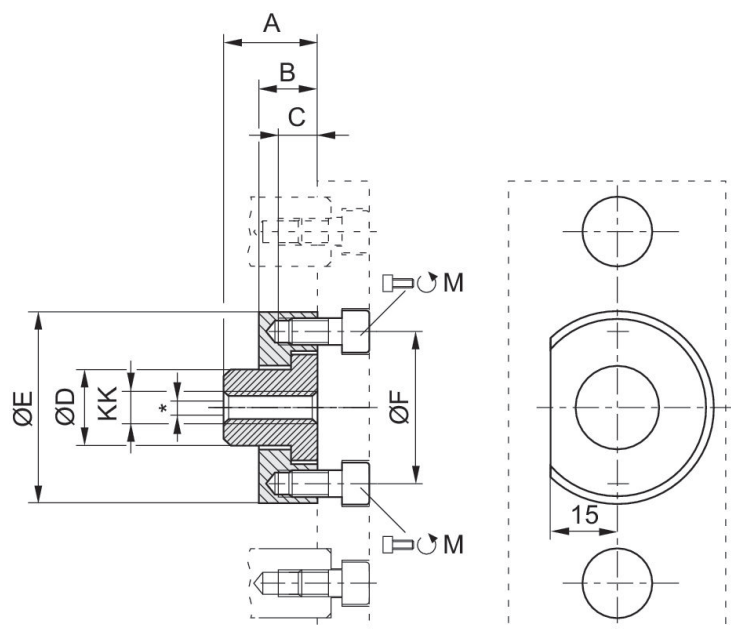


KK	Référence	Ø	M	A	B	C	ØD	ØE	ØF
M10x1,25	R413000279	32	2x M6x12	22	14	8	18	45	36
M20x1,5	R413000282	80/100	4x M6x14	32	14	9.5	30	60	51

Accouplement compensateur angulaire GU3 en A, série CG1



Taille du filetage	Matériau	Référence
M10x1,25	Acier inoxydable	R413000279
M20x1,5	Acier inoxydable	R413000282



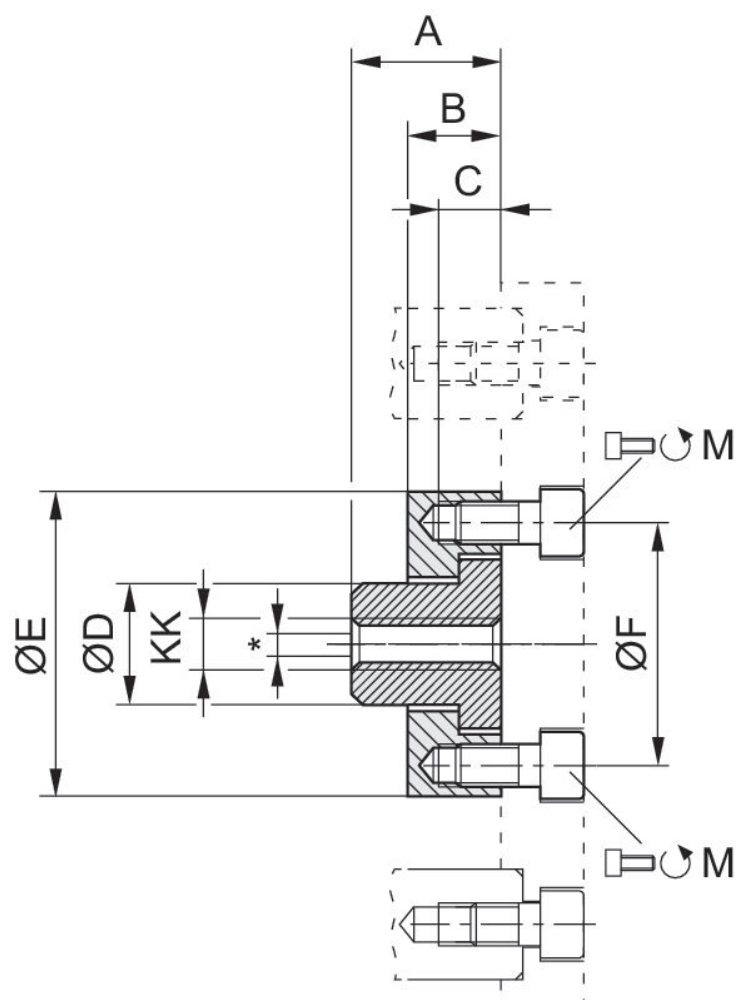
* Compensation radiale de 1,0 ... 2,5 mm

KK	Référence	Ø	M	A	B	C	ØD	ØE	ØF
M8	R413000277	20	2x M6x12	22	14	8	18	45	36
M10x1,25	R413000278	25	2x M6x12	22	14	8	18	45	36

Accouplement compensateur angulaire GU3 en B, série CG1



Taille du filetage	Matériau	Référence
M8	Acier inoxydable	R413000283
M10x1,25	Acier inoxydable	R413000284
M20x1,5	Acier inoxydable	R413000285



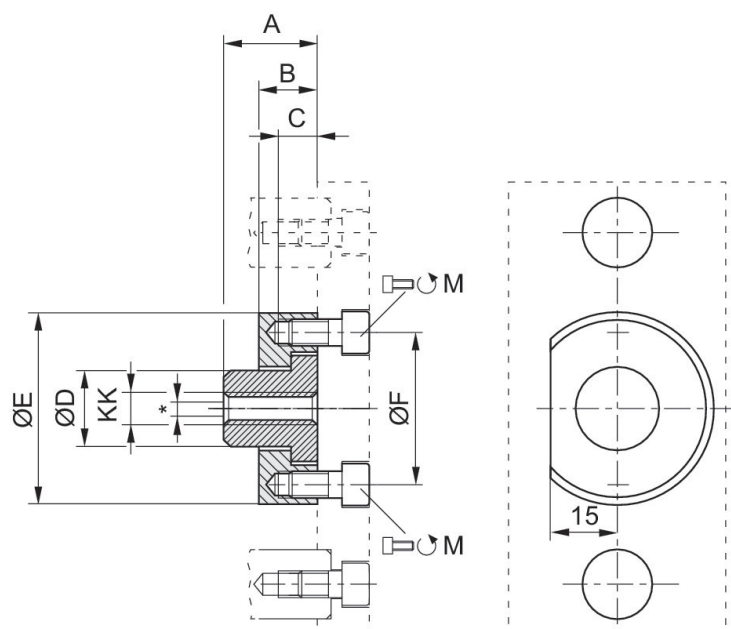
* Compensation radiale de 1,5 ... 1,8 mm

KK	Référence	Ø	M	A	B	C	D	ØE	ØF
M8	R413000283	20	2x M5x12	22	6	6	14.5	SW 30	26
M10x1,25	R413000284	25/32	2x M5x12	17	6	6	14.5	SW 30	26
M20x1,5	R413000285	80/100	4x M6x20	32	14	9.5	30	60	51

Accouplement compensateur angulaire GU3 en C, série CG1



Taille du filetage	Matériau	Référence
M6	Acier inoxydable	R413000276
M12x1,25	Acier inoxydable	R413000280
M16x1,5	Acier inoxydable	R413000281



* Compensation radiale de 1,0 ... 2,5 mm

KK	Référence	Ø	M	A	B	C	D	ØE	ØF
M6	R413000276	12/16	2x M4x10	18	7	7	10	22	15
M12x1,25	R413000280	40	2x M6x12	22	14	8	18	45	36
M16x1,5	R413000281	50/63	4x M6x14	26	14	8	24	54	45

Efficient pneumatic solutions, our program: cylinders and drives, valves and valve systems, air supply management



Visit us: [Emerson.com/Aventics](https://www.emerson.com/aventics)

Your local contact: [Emerson.com/contactus](https://www.emerson.com/contactus)



[Emerson.com](https://www.emerson.com)



[Facebook.com/EmersonAutomationSolutions](https://www.facebook.com/EmersonAutomationSolutions)



[LinkedIn.com/company/Emerson-Automation-Solutions](https://www.linkedin.com/company/Emerson-Automation-Solutions)



[Twitter.com/EMR_Automation](https://twitter.com/EMR_Automation)

An example configuration is depicted on the title page. The delivered product may thus vary from that in the illustration. Subject to change. This Document, as well as the data, specifications and other information set forth in it, are the exclusive property of AVENTICS GmbH. It may not be reproduced or given to third parties without its consent. Only use the AVENTICS products shown in industrial applications. Read the product documentation completely and carefully before using the product. Observe the applicable regulations and laws of the respective country. When integrating the product into applications, note the system manufacturer's specifications for safe use of the product. The data specified only serve to describe the product. No statements concerning a certain condition or suitability for a certain application can be derived from our information. The information given does not release the user from the obligation of own judgment and verification. It must be remembered that the products are subject to a natural process of wear and aging.

The Emerson logo is a trademark and service mark of Emerson Electric Co. Brand logotype are registered trademarks of one of the Emerson family of companies. All other marks are the property of their respective owners. © 2019 Emerson Electric Co. All rights reserved.



CONSIDER IT SOLVED™