

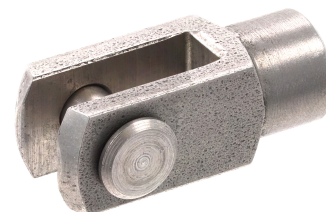
Cabeçotes em U



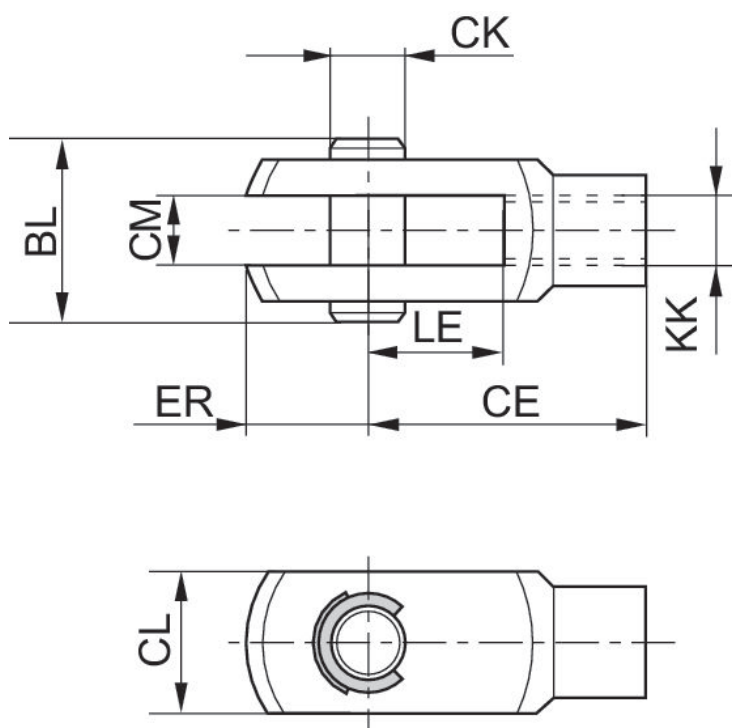
Cabeçotes em U



Cabeça da forquilha AP2, Série CM2



para a série	Material	N° de material
SSI, ICM	Aço inoxidável	3330510000
CSL-RD, SSI, ICM	Aço inoxidável	3330516000
CCL-IC, CSL-RD, CCI, ICM	Aço inoxidável	3330520000
CCL-IS, CCL-IC, CCI, CSL-RD, SSI, ICM, ICS-D2, 167	Aço inoxidável	3590502000
CCL-IS, CCL-IC, CCI, SSI, 167, ICS-D2	Aço inoxidável	3590504000
CCL-IS, ICS-D2, 167	Aço inoxidável	3590505000
CCL-IS, ICS-D2, 167	Aço inoxidável	3590508000



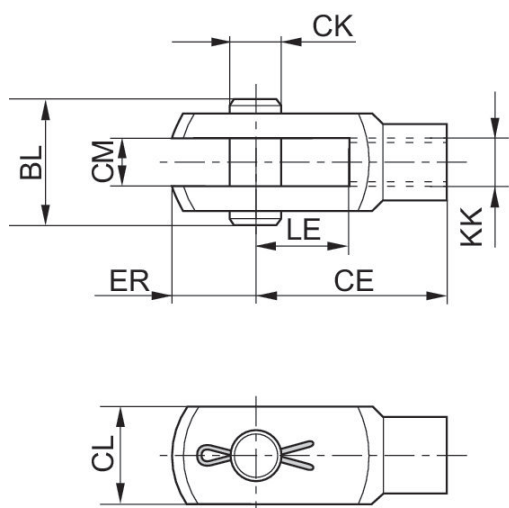
KK	N° de material	CE	CK e8	CL	CM B12	ER	BL	LE
M4	3330510000	16	4	10	5	6	15	8
M6	3330516000	24	6	12	6	7	17	12
M8	3330520000	32	8	16	8	10	22	16

KK	N° de material	CE	CK e8	CL	CM B12	ER	BL	LE
M10x1,25	3590502000	40	10	20	10	12	26	20
M12x1,25	3590504000	48	12	24	12	14	31	24
M16x1,5	3590505000	64	16	32	16	19	39	32
M20x1,5	3590508000	80	20	40	20	20	49	40

Cabeça da forquilha AP2, Série CM2



para a série		Material	N° de material
	SSI, ICS-D2	Aço inoxidável	2990600503
	ICS-D2	Aço inoxidável	2990600504
	SSI, ICS-D2	Aço inoxidável	2990600505
	SSI, ICS-D2	Aço inoxidável	2990600508

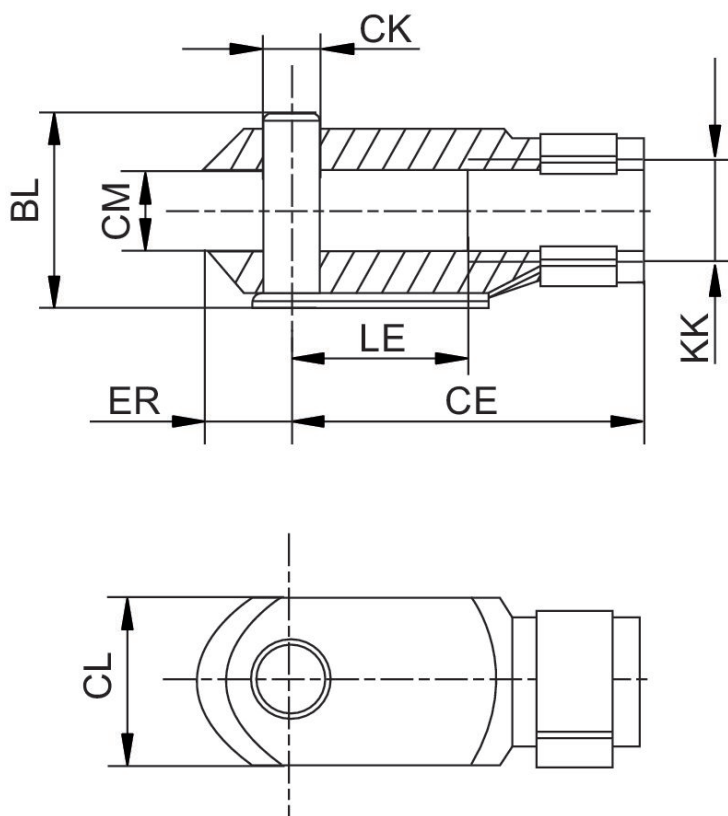


KK	N° de material	CE	CK e8	CL	CM B12	ER	BL	LE
M10x1,25	2990600503	40	10	20	10	12	26	20
M12x1,25	2990600504	48	12	24	12	14	31	24
M16x1,5	2990600505	64	16	32	16	19	39	32
M20x1,5	2990600508	80	20	40	20	20	49	40

Cabeça da forquilha AP2, Série CM2



para a série	Material	N° de material
MNI, ICM	Aço, cromado	1822122028
KHZ	Aço, cromado	1822122008
CCI, MNI, ICM, KHZ	Aço, cromado	1822122009
CCI, MNI, ICM, KHZ	Aço, cromado	1822122010
RPC, KHZ	Aço, cromado	8958000122
RPC, 102	Aço, cromado	8958000132
PRA, TRB, CCI, MNI, ICM, KPZ, 167, CVI, RPC, RDC	Aço, cromado	1822122024
PRA, TRB, CCI, KPZ, 167, CVI, RPC, 102	Aço, cromado	1822122025
PRA, TRB, CCI, KPZ, 167, CVI, RPC, RDC, 102	Aço, cromado	1822122005
PRA, TRB, KPZ, 167, CVI, 102	Aço, cromado	1822122004
ITS	Aço, cromado	8958019332

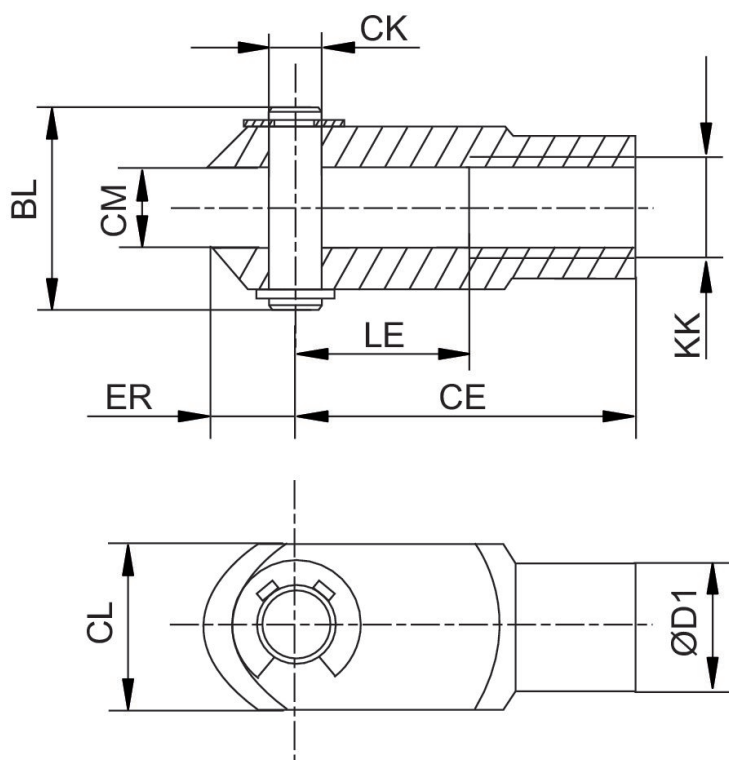


KK	N° de material	BL	CE	ØCK e11	CL	CM	ØD1	ER	LE
M4	1822122028	11	16	4	8	4	8	5	8
M6	1822122009	16	24	6	12	6	10	7	12
M8	1822122010	21,5	32	8	16	8	14	10	16
M10x1,25	1822122024	26	40	10	20	10	18	12	20
M12x1,25	1822122025	31	48	12	24	12	20	14	24
M16x1,5	1822122005	39	64	16	32	16	26	19	32
M20x1,5	1822122004	50	80	20	40	20	34	20	40
M10	8958000122	26	40	10	20	10	18	12	20
M12	8958000132	31	48	12	24	12	20	14	24
M48x2	8958019332	122	192	50	96	50	82	73	96
M5	1822122008	13.5	20	5	10	5	9	6	10

Cabeça da forquilha AP2, Série CM2



para a série	Material	N° de material
PRA, TRB, CCL-IS, 167, CVI	Aço, cromado	1827001493
ITS	Aço, cromado	1827001471
ITS	Aço, cromado	1827001472

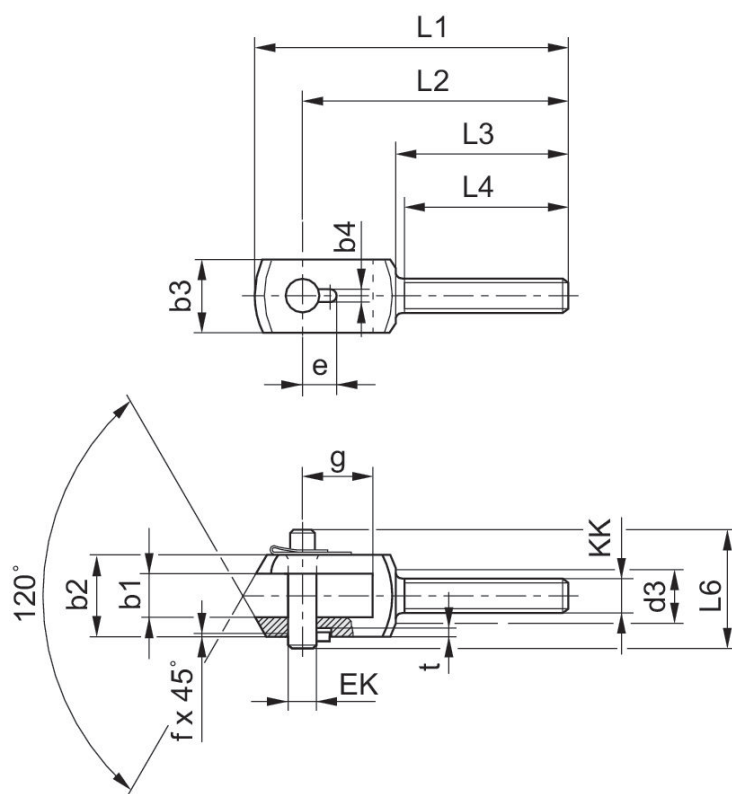


KK	N° de material	BL	CE	ØCK e11	CL	CM	ØD1	ER	LE
M27x2	1827001493	68	110	30	55	30	48	38	54
M36x2	1827001471	80	144	35	70	35	60	57	72
M42x2	1827001472	98	168	40	85	40	70	64	84

Cabeça da forquilha PM6, Série CM2



para a série	Mancal articulado-Ø [mm]	Material	N° de material
AP6	14	Aço, cromado	1822122032
AP6	16	Aço, cromado	1822122033
AP6	21	Aço, cromado	1822122034
AP6	25	Aço, cromado	1822122035
AP6	30	Aço, cromado	1822122036



KK	N° de material	b1 B12	b2 d12	b3	b4 +0,2	d3	e +0,3	EK	f	g
14	1822122032	14	28	20	3.3	17	11.5	10	0.7	20
16	1822122033	16	30	25	4.3	19	12	12	1	26
21	1822122034	21	40	35	4.3	24	14	16	1	31

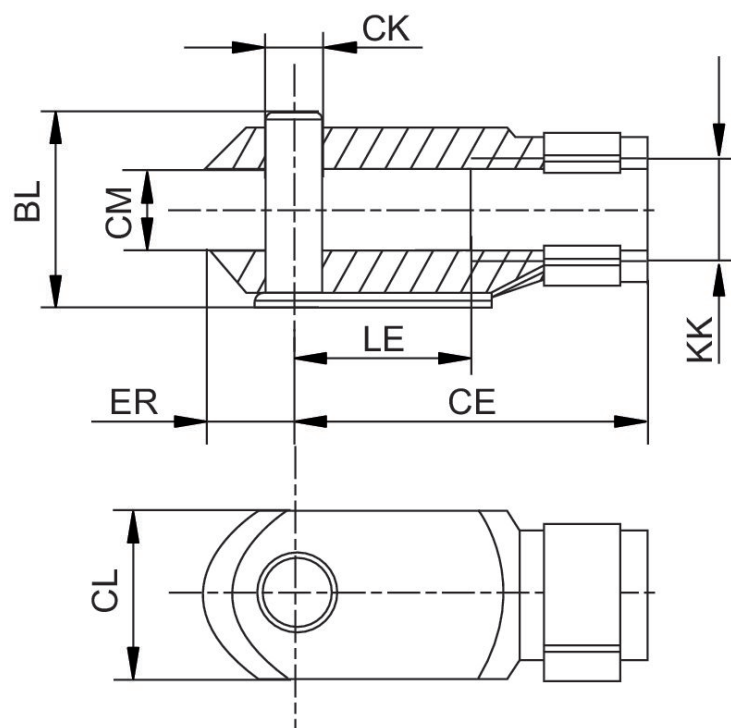
KK	N° de material	b1 B12	b2 d12	b3	b4 +0,2	d3	e +0,3	EK	f	g
25	1822122035	25	50	40	4.3	30	16	20	1	43
30	1822122036	37	67	60	6.3	38	24	30	1.5	54

KK	L1	L2	L3	L4 +1	L6	t +0,2
14	90	78	53	50	35	3
16	108	92	58	55	39	3
21	129	108	65	62	50	3
25	156	131	73	69	60	3
30	200	168	98	92	77	5

Cabeça da forquilha, Série AP2



Material	N° de material
Aço, cromado	1827009940
Aço, cromado	1827009941
Aço, cromado	1827009942
Aço, cromado	1827009943
Aço, cromado	7472ZZ1444



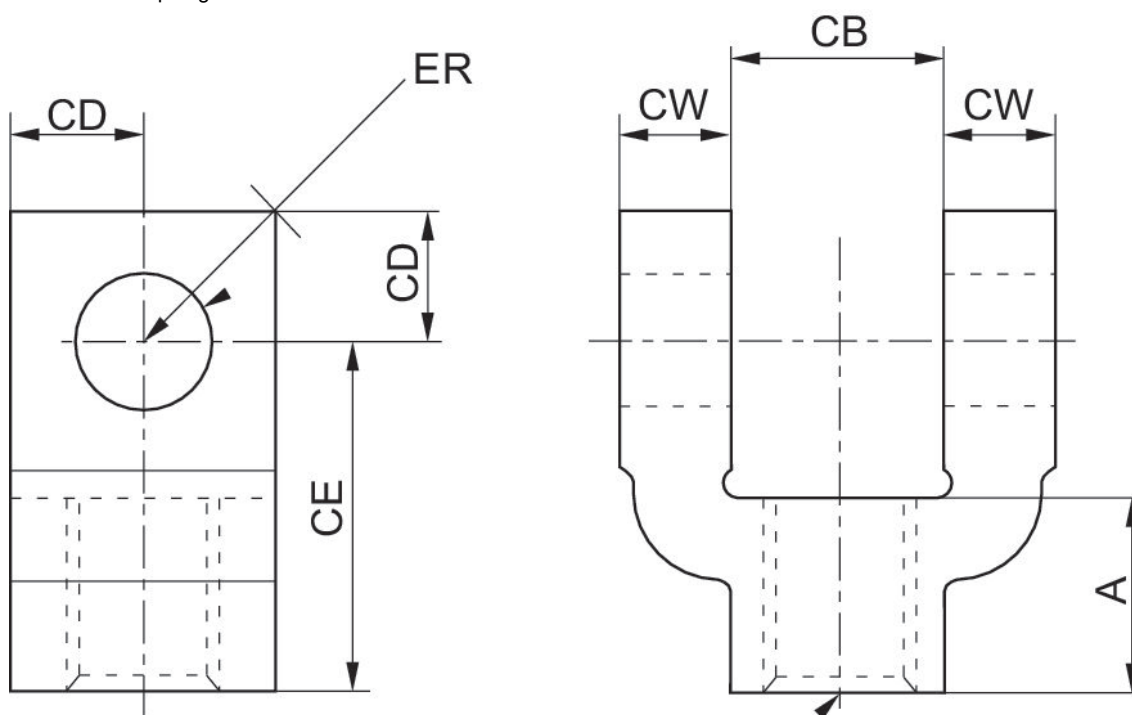
KK	N° de material	BL	CE	ØCK e11	CL	CM	ER	LE
M10x1,5	1827009940	28	36	8	22	11	9	16
M16x1,5	1827009941	44	51	12	26	18	13	25
M20x1,5	1827009942	53	63	16	34	22	17	33
M27x2	1827009943	76	85	20	44	30	20	30
M36x2	7472ZZ1444	93	115	25	56	40	25	40

Cabeça da forquilha



Material	N° de material
Alumínio	R432012516
Alumínio	R432013386

Dimensões em polegadas



Dimensões em polegadas

Ø	N° de material	A	CB	CD	CE	CW	ER
1.50 2.00 2.50	R432012516	0.75	0.75	0.50	1.50	0.50	0.72
3.25 4.00	R432013386	1.13	1.25	0.75	2.06	0.63	1.06

Efficient pneumatic solutions, our program: cylinders and drives, valves and valve systems, air supply management



Visit us: [Emerson.com/Aventics](https://www.emerson.com/Aventics)

Your local contact: [Emerson.com/contactus](https://www.emerson.com/contactus)



[Emerson.com](https://www.emerson.com)



[Facebook.com/EmersonAutomationSolutions](https://www.facebook.com/EmersonAutomationSolutions)



[LinkedIn.com/company/Emerson-Automation-Solutions](https://www.linkedin.com/company/Emerson-Automation-Solutions)



[Twitter.com/EMR_Automation](https://twitter.com/EMR_Automation)

An example configuration is depicted on the title page. The delivered product may thus vary from that in the illustration. Subject to change. This Document, as well as the data, specifications and other information set forth in it, are the exclusive property of AVENTICS GmbH. It may not be reproduced or given to third parties without its consent. Only use the AVENTICS products shown in industrial applications. Read the product documentation completely and carefully before using the product. Observe the applicable regulations and laws of the respective country. When integrating the product into applications, note the system manufacturer's specifications for safe use of the product. The data specified only serve to describe the product. No statements concerning a certain condition or suitability for a certain application can be derived from our information. The information given does not release the user from the obligation of own judgment and verification. It must be remembered that the products are subject to a natural process of wear and aging.

The Emerson logo is a trademark and service mark of Emerson Electric Co. Brand logotype are registered trademarks of one of the Emerson family of companies. All other marks are the property of their respective owners. © 2019 Emerson Electric Co. All rights reserved.



CONSIDER IT SOLVED™