

## Écrous pour tige de piston



**AVENTICS™**

**Écrous de tiges de piston  
AVENTICS**

  
**EMERSON™**

Écrous pour tige de piston

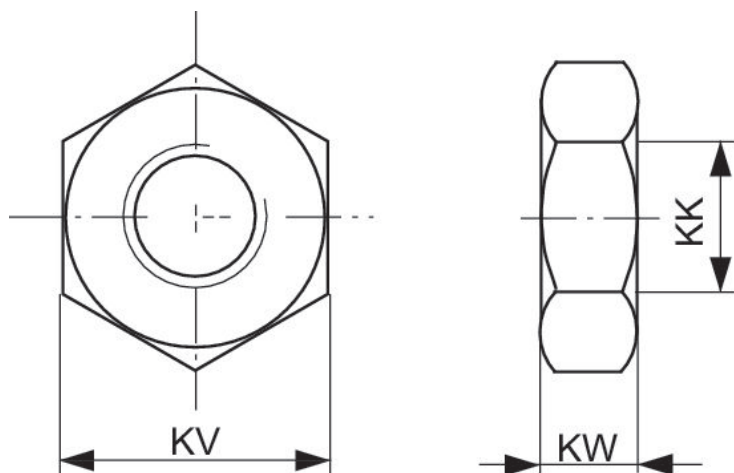


## Ecroû pour tige de piston MR9



Taille du filetage	Matériau	Référence
M4	Acier, chromé	8103040114
M6	Acier, chromé	1823300033
M8	Acier, chromé	1823300034
M10	Acier, chromé	8103040224
M10x1,25	Acier, chromé	1823A00020
M12	Acier, chromé	8103060064
M12x1,25	Acier, chromé	1823A00021
M12x1,25	Acier, chromé	8103190344
M16x1,5	Acier, chromé	1823300030
M20x1,5	Acier, chromé	1823300031
M20x1,5	Acier, chromé	8103040344
M27x2	Acier, chromé	1823A00029
M36x2	Acier, chromé	8103190414
M42x2	Acier, chromé	8103190424
M48x2	Acier, chromé	8103190434
M4	Acier inoxydable	3330310000
M6	Acier inoxydable	8103190644
M8	Acier inoxydable	8103190164
M10x1,25	Acier inoxydable	8103190464
M10x1,25	Acier inoxydable, résistant aux acides	2990600303
M12x1,25	Acier inoxydable, résistant aux acides	2990600304
M16x1,5	Acier inoxydable, résistant aux acides	2990600305
M20x1,5	Acier inoxydable, résistant aux acides	2990600308
M36x2	Acier inoxydable, résistant aux acides	2990600316
M42x2	Acier inoxydable, résistant aux acides	2990600325
M6	Acier inoxydable	3330316000
M8	Acier inoxydable	3330320000
M10x1,25	Acier inoxydable	3590302000
M12x1,25	Acier inoxydable	3590304000
M16x1,5	Acier inoxydable	3590305000
M20x1,5	Acier inoxydable	3590308000

Taille du filetage	Matériau	Référence
M27x2	Acier inoxydable, résistant aux acides	2990600312
M24x2	Acier, chromé	8103190394

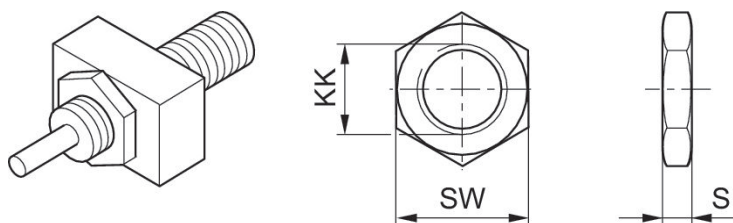


KK	Référence	KV	KW
M4	1823300033	10	3.2
M6	1823300034	13	4
M8	1823A00021	19	6
M10	8103190344	19	6
M10x1,25	1823300030	24	8
M20x1,5	1823300031	30	10
M27x2	1823A00029	41	13.5
M36x2	8103190414	50	16
M42x2	8103190424	60	21
M6	8103190644	10	3.2
M8	8103190164	13	4
M10x1,25	8103190464	17	5
M4	3330310000	7	2.2
M12x1,25	3590304000	19	6
M16x1,5	3590305000	24	8
M20x1,5	3590308000	30	10
M20x1,5	8103040344	30	10
M24x2	8103190394	36	12
M48x2	8103190434	65	25
M10x1,25	2990600303	17	5
M12x1,25	2990600304	19	6
M16x1,5	2990600305	24	8
M20x1,5	2990600308	30	10
M27x2	2990600312	41	13.5
M36x2	2990600316	50	16
M42x2	2990600325	60	21

## Contre-écrou



Taille du filetage	Matériau	Référence
M6x0,5	Acier, chromé	R412010359
M8x1	Acier, chromé	R412010360
M10x1	Acier, chromé	R412010361
M12x1	Acier, chromé	R412010362
M14x1,5	Acier, chromé	R412010363
M20x1,5	Acier, chromé	R412010364
M25x1,5	Acier, chromé	R412010365

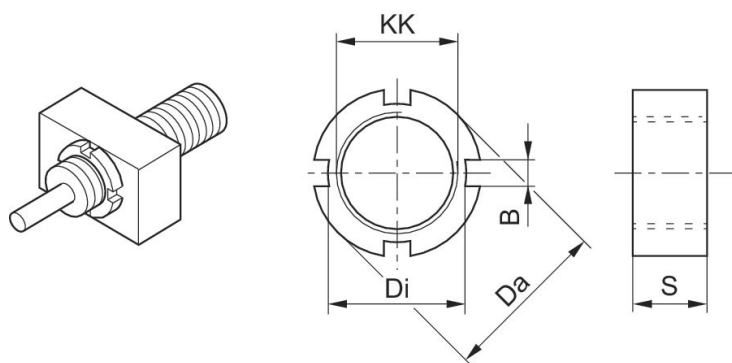


KK	Référence	Pour série	S	SW
M6x0,5	R412010359	SA1-MC	3	8
M8x1	R412010360	SA1-MC	3	11
M10x1	R412010361	SA1-MC	3	13
M12x1	R412010362	SA1-MC	4	14
M14x1,5	R412010363	SA1-MC	5	17
M20x1,5	R412010364	SA1-MC	6	24
M25x1,5	R412010365	SA1-MC	8	30

Ecrou à encoches



Taille du filetage	Matériau	Référence
M33x1,5	Acier, chromé	R412010331
M64x2	Acier, chromé	R412010332



KK	Référence	Pour série	Da	Di	B	S
M33x1,5	R412010331	SA1-MA	38	35	5	6.5
M64x2	R412010332	SA1-MA	74	71	10	10

# Efficient pneumatic solutions, our program: cylinders and drives, valves and valve systems, air supply management



Visit us: [Emerson.com/Aventics](https://www.emerson.com/Aventics)

Your local contact: [Emerson.com/contactus](https://www.emerson.com/contactus)



[Emerson.com](https://www.emerson.com)



[Facebook.com/EmersonAutomationSolutions](https://www.facebook.com/EmersonAutomationSolutions)



[LinkedIn.com/company/Emerson-Automation-Solutions](https://www.linkedin.com/company/Emerson-Automation-Solutions)



[Twitter.com/EMR\\_Automation](https://twitter.com/EMR_Automation)

An example configuration is depicted on the title page. The delivered product may thus vary from that in the illustration. Subject to change. This Document, as well as the data, specifications and other information set forth in it, are the exclusive property of AVENTICS GmbH. It may not be reproduced or given to third parties without its consent. Only use the AVENTICS products shown in industrial applications. Read the product documentation completely and carefully before using the product. Observe the applicable regulations and laws of the respective country. When integrating the product into applications, note the system manufacturer's specifications for safe use of the product. The data specified only serve to describe the product. No statements concerning a certain condition or suitability for a certain application can be derived from our information. The information given does not release the user from the obligation of own judgment and verification. It must be remembered that the products are subject to a natural process of wear and aging.

The Emerson logo is a trademark and service mark of Emerson Electric Co. Brand logotype are registered trademarks of one of the Emerson family of companies. All other marks are the property of their respective owners. © 2019 Emerson Electric Co. All rights reserved.



**CONSIDER IT SOLVED™**