

Ball eye rod ends



AVENTICS™

AVENTICS Ball eye rod ends


EMERSON™

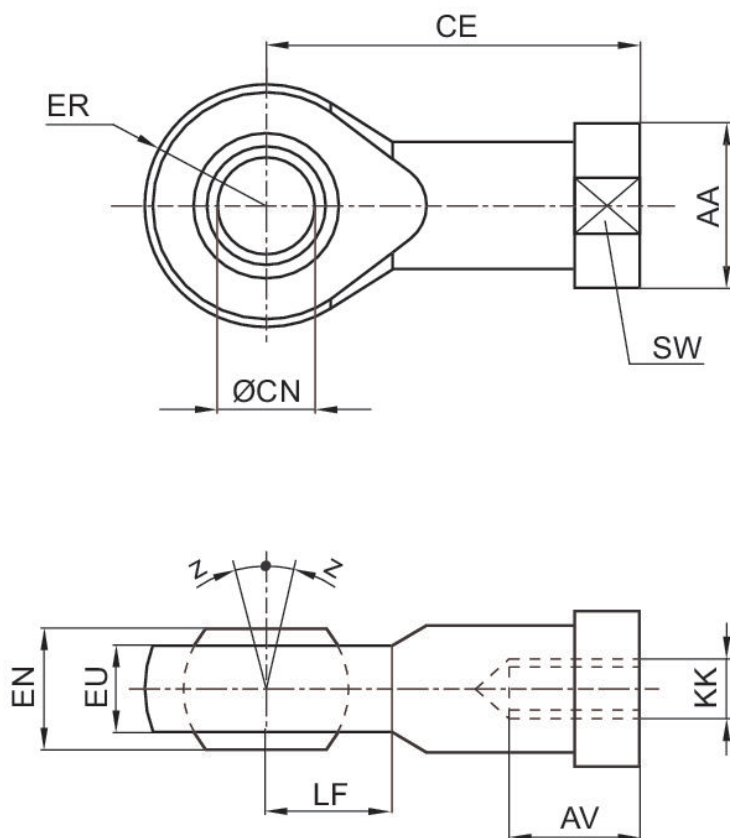
Ball eye rod ends



Ball eye rod end AP6, series CM2



Suitable piston rod thread	for series	Swivel bearing Ø [mm]	Material	Part No.
M4	MNI, SSI	5	Steel, chrome-plated	1822124000
M6	MNI, CCI, SSI	6	Steel, chrome-plated	1822124001
M8	MNI, CCI, SSI, KPZ	8	Steel, chrome-plated	1822124002
M10		10	Steel, chrome-plated	8958206402
M12	KHZ	12	Steel, chrome-plated	8958208852
M10x1,25	PRA, TRB, MNI, CCI, SSI, RPC, KPZ, 167, CVI, RDC	10	Steel, chrome-plated	1822124003
M12x1,25	PRA, TRB, CCI, SSI, RPC, KPZ, 167, CVI, 102	12	Steel, chrome-plated	1822124004
M16x1,5	PRA, TRB, CCI, SSI, RPC, KPZ, 167, CVI, RDC, 102	16	Steel, chrome-plated	1822124005
M20x1,5	PRA, TRB, KPZ, 167, CVI, 102	20	Steel, chrome-plated	1822124006
M24x2		25	Steel, chrome-plated	8958208002
M27x2	PRA, TRB, 167, CVI	30	Steel, chrome-plated	1822124013
M36x2	ITS	35	Steel, chrome-plated	1822124008
M42x2	ITS	40	Steel, chrome-plated	1822124009
M48x2	ITS	50	Steel, chrome-plated	8958208842



KK	Part No.	AA	AV min.	CE	Ø CN H7	EN -0,1	ER	EU max.	LF	SW
M4	1822124000	12	8	27	5	8	9	7.5	9	9
M6	1822124001	13	9	30	6	9	10	7.5	10	11
M8	1822124002	16	12	36	8	12	12	9.5	12	14
M10	8958206402	19	20	43	10	14	14	10.5	13	17
M12	8958208852	22	22	50	12	16	16	12	16	19
M10x1,25	1822124003	19	15	43	10	14	14	11.5	14	17
M12x1,25	1822124004	22	18	50	12	16	16	12.5	16	19
M16x1,5	1822124005	27	24	64	16	21	21	15.5	21	22
M20x1,5	1822124006	34	30	77	20	25	25	18.5	25	30
M24x2	8958208002	42	36	94	25	31	30	23	30	36
M27x2	1822124013	50	45	110	30	37	35	27	35	41
M36x2	1822124008	60	56	125	35	43	40	32	40	50
M42x2	1822124009	69	60	142	40	49	45.5	37	45	55
M48x2	8958208842	75	65	160	50	60	58	45	60	65

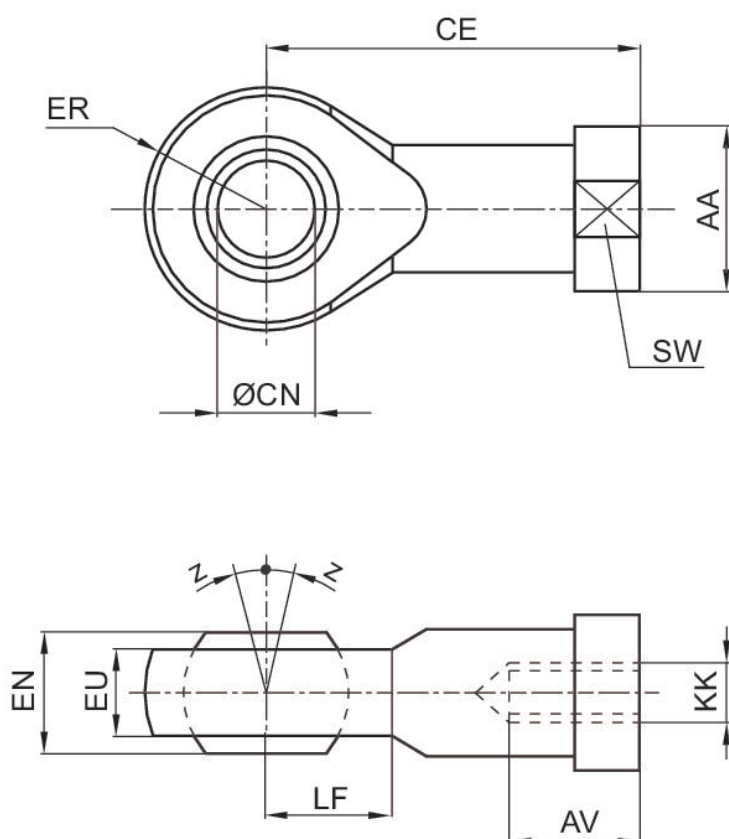
KK	Z [°] max.
M4	4
M6	4
M8	4
M10	6

KK	Z [°] max.
M12	13
M10x1,25	4
M12x1,25	4
M16x1,5	4
M20x1,5	4
M24x2	15
M27x2	4
M36x2	4
M42x2	4
M48x2	6

Ball eye rod end AP6, series CM2



Suitable piston rod thread	for series	Swivel bearing Ø [mm]	Material	Part No.
M4	ICM	5	Stainless Steel	8958209002
M6	CCL-IC, CSL-RD, ICM	6	Stainless Steel	8958209012
M8	CCL-IC, CSL-RD, ICM	8	Stainless Steel	8958209022
M10x1,25	CCL-IS, CCL-IC, SSI, CSL-RD, ICM, ICS-D2	10	Stainless Steel	8958209032
M12x1,25	CCL-IS, CCL-IC, SSI, ICS-D2	12	Stainless Steel	8958209042
M16x1,5	CCL-IS, CCL-IC, SSI, ICS-D2	16	Stainless Steel	8958209052
M20x1,5	CCL-IS, SSI, ICS-D2	20	Stainless Steel	8958209062
M27x2	CCL-IS	30	Stainless Steel	8958209072



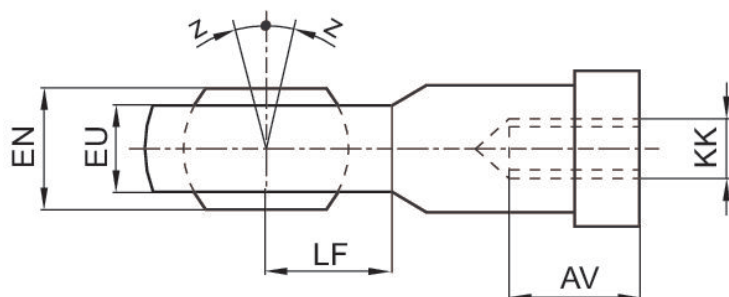
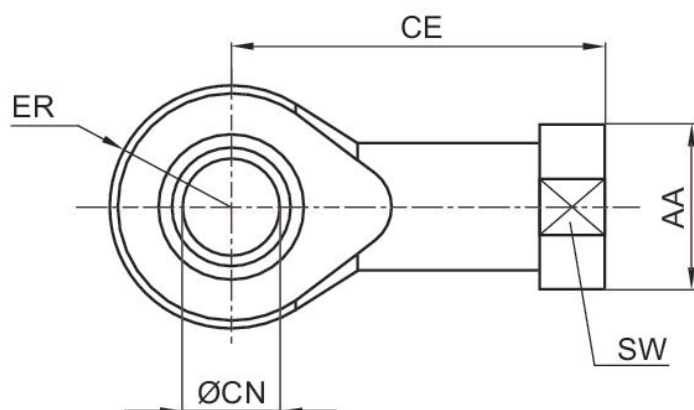
KK	Part No.	AA	AV min.	CE	Ø CN H7	EN -0,1	ER	EU max.	LF	SW
M4	8958209002	11	8	27	5	8	9	6	9	9
M6	8958209012	13	9	30	6	9	10	6,75	10	11
M8	8958209022	16	12	36	8	12	12	9	12	14
M10x1,25	8958209032	19	15	43	10	14	14	10,5	14	17
M12x1,25	8958209042	22	18	50	12	16	16	12	16	19
M16x1,5	8958209052	27	24	64	16	21	21	15	21	22
M20x1,5	8958209062	34	30	77	20	25	25	18	25	30
M27x2	8958209072	50	45	110	30	37	35	25	35	41

KK	Z [°] max.
M4	6,5
M6	6,5
M8	6,5
M10x1,25	6,5
M12x1,25	6,5
M16x1,5	7,5
M20x1,5	7,5
M27x2	7,5

Ball eye rod end AP6, series CM2



Suitable piston rod thread	Swivel bearing \varnothing [mm]	Material	Part No.
M10x1,25	10	Stainless Steel	2990690903
M12x1,25	12	Stainless Steel	2990690904
M16x1,5	16	Stainless Steel	2990690905
M20x1,5	20	Stainless Steel	2990690908
M27x2	30	Stainless Steel	2990600912
M36x2	35	Stainless Steel	2990600916



KK	Part No.	AA	AV min.	CE	Ø CN H7	EN -0,1	ER	EU max.	LF	SW
M10x1,25	2990690903	19	20	43	10	14	14	10.5	13	17
M12x1,25	2990690904	22	22	50	12	16	16	12	16	19
M16x1,5	2990690905	27	28	64	16	21	21	15	21	22
M20x1,5	2990690908	34	33	77	20	25	25	18	25	32
M27x2	2990600912	51	51	110	30	37	35	18	36	41
M36x2	2990600916	58	60	125	35	35	42,5	21	45	50

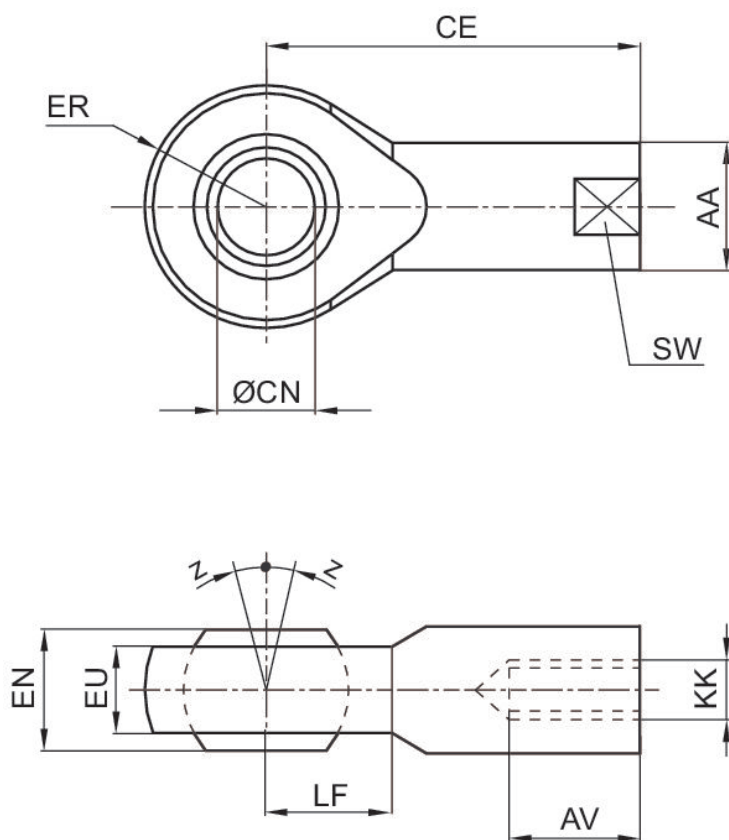
KK	Z [°] max.
M10x1,25	7
M12x1,25	7
M16x1,5	8
M20x1,5	8
M27x2	4
M36x2	6

Ball eye rod end AP6, series CM2



Suitable piston rod thread	for series	Swivel bearing Ø [mm]	Material	Part No.
M10x1,25	PRA, TRB, CVI, 167, CCI, KPZ, SSI, MNI, RPC, RDC	10	Steel, chrome-plated	3660902000
M12x1,25	PRA, TRB, CVI, 167, CCI, KPZ, SSI, RPC, 102	12	Steel, chrome-plated	3660904000

Dimensions



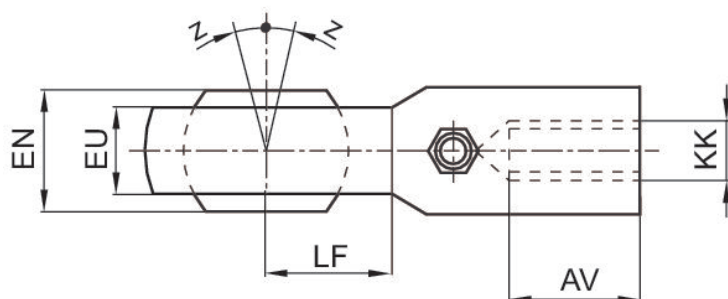
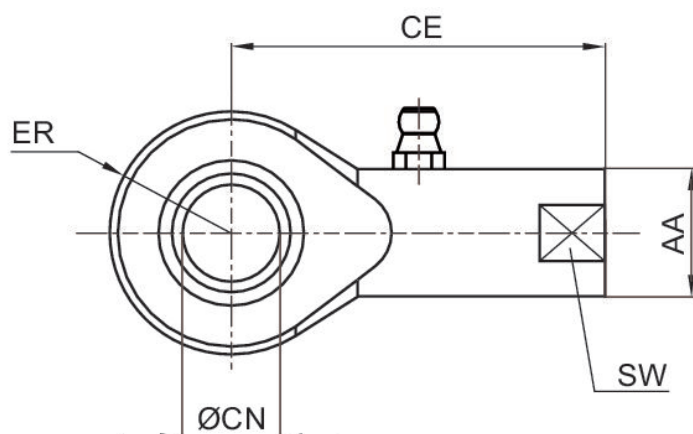
Part No.	KK	AA	AV min.	CE	Ø CN H7	EN -0,1	ER	EU max.	LF	SW
3660902000	M10x1.25	19	15	43	10	12	15	9	14	17
3660904000	M12x1.25	22	16	50	12	12	17	8	16	19

Part No.	Z [°] max.
3660902000	8
3660904000	8

Ball eye rod end AP6, series CM2



Suitable piston rod thread	for series	Swivel bearing Ø [mm]	Material	Part No.
M16x1,5	PRA, TRB, CVI, 167, CCI, KPZ, SSI, RPC, RDC, 102	16	Steel, chrome-plated	3660905000
M20x1,5	PRA, TRB, CVI, 167, CCI, KPZ, SSI, 102	20	Steel, chrome-plated	3660908000
M24x2	102	25	Steel, chrome-plated	3660912000
M36x2	ITS	35	Steel, chrome-plated	3660916000



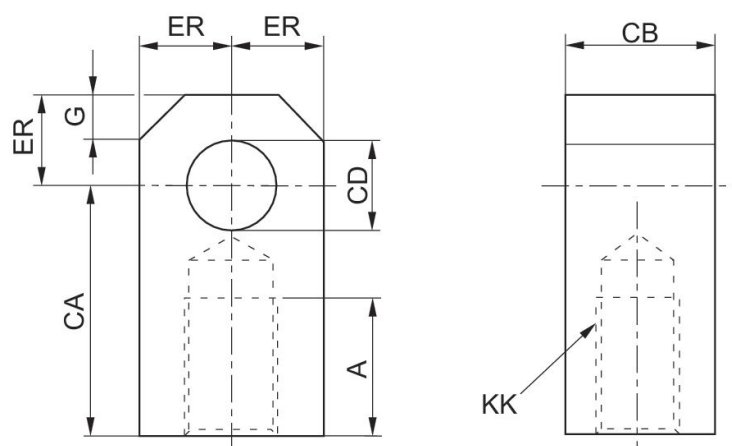
KK	Part No.	AA	AV min.	CE	Ø CN H7	EN -0,1	ER	EU max.	LF	SW
M16x1.5	3660905000	29	24	67	16	16	23	11	20	24
M20x1.5	3660908000	34	30	77	20	20	26,5	13	23	30
M24x2	3660912000	42	36	94	25	25	32	17	27	36
M36x2	3660916000	58	56	125	35	35	42	21	37	50

KK	Z [°] max.
M16x1.5	8
M20x1.5	8
M24x2	8
M36x2	6

Piston rod end plate

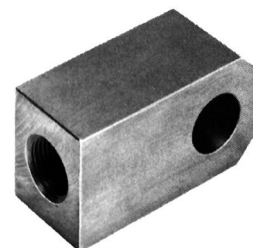


Suitable piston rod thread	Material	Part No.
M10x1,5	Steel, chrome-plated	7472ZZ5700
M10x1,5	Steel, chrome-plated	7472ZZ1445
M16x1,5	Steel, chrome-plated	7472ZZ1446
M20x1,5	Steel, chrome-plated	7472ZZ1447
M27x2	Steel, chrome-plated	7472ZZ1448
M36x2	Steel, chrome-plated	7472ZZ1449

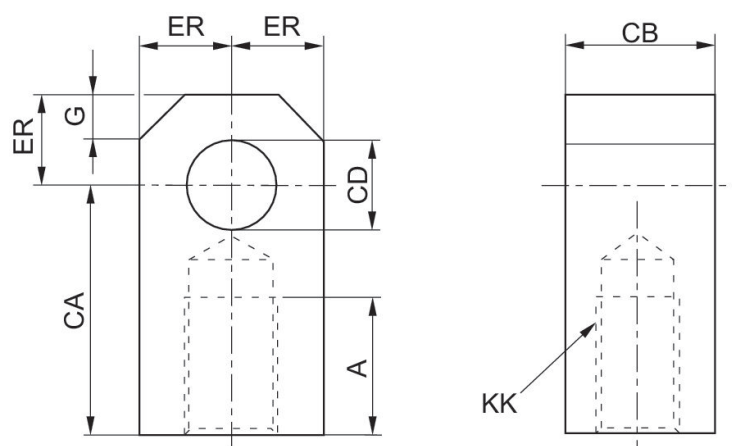


KK	Part No.	Ø	A	CA	CB	CD	ER	G
M10x1,5	7472ZZ1445	25 32	20	36	11	8	9	3
M16x1,5	7472ZZ1446	40 50	30	51	18	12	13	7
M20x1,5	7472ZZ1447	63 80	36	63	22	16	17	10
M27x2	7472ZZ1448	100 125	50	85	30	20	20	13
M36x2	7472ZZ1449	160 200	70	115	40	25	25	15

Female rod eye



Material	Part No.
Steel, chrome-plated	R432006533
Steel, chrome-plated	R432013437



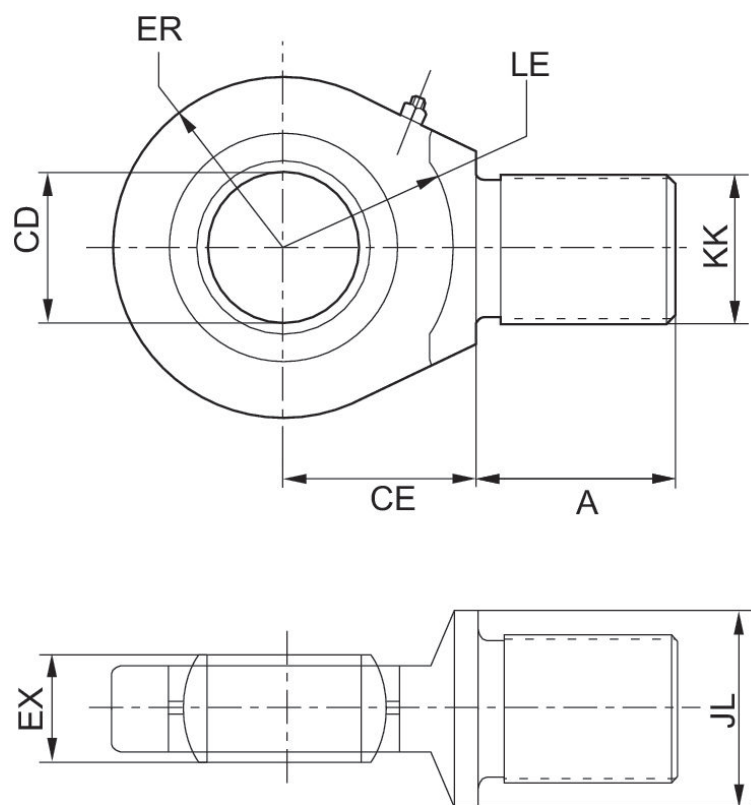
Dimensions in inches

Part No.	\varnothing	A	CA	CB	CD	ER	KK
R432006533	1.50 2.00 2.50	0.88	1.50	0.75	0.50	0.56	1/2-20
R432013437	3.25 4.00	1.13	2.06	1.25	0.75	0.84	7/8-14

Ball eye rod end with spherical bearing



Part No.
R433013001
R433012998
R433012999



Dimensions in inches

	A	JL	CD +0,0000/-0,0005	CF	EX	ER (max.)	LE
R433013001	0.69	0.88	0.5	0.88	0.44	0.88	0.75
R433012998	1	1.31	0.75	1.25	0.66	1.25	1.06
R433012999	1.5	1.5	1	1.88	0.88	1.38	1.44

Efficient pneumatic solutions, our program: cylinders and drives, valves and valve systems, air supply management



Visit us: [Emerson.com/Aventics](https://www.emerson.com/aventics)

Your local contact: [Emerson.com/contactus](https://www.emerson.com/contactus)



[Emerson.com](https://www.emerson.com)



[Facebook.com/EmersonAutomationSolutions](https://www.facebook.com/EmersonAutomationSolutions)



[LinkedIn.com/company/Emerson-Automation-Solutions](https://www.linkedin.com/company/Emerson-Automation-Solutions)



[Twitter.com/EMR_Automation](https://twitter.com/EMR_Automation)

An example configuration is depicted on the title page. The delivered product may thus vary from that in the illustration. Subject to change. This Document, as well as the data, specifications and other information set forth in it, are the exclusive property of AVENTICS GmbH. It may not be reproduced or given to third parties without its consent. Only use the AVENTICS products shown in industrial applications. Read the product documentation completely and carefully before using the product. Observe the applicable regulations and laws of the respective country. When integrating the product into applications, note the system manufacturer's specifications for safe use of the product. The data specified only serve to describe the product. No statements concerning a certain condition or suitability for a certain application can be derived from our information. The information given does not release the user from the obligation of own judgment and verification. It must be remembered that the products are subject to a natural process of wear and aging.

The Emerson logo is a trademark and service mark of Emerson Electric Co. Brand logotype are registered trademarks of one of the Emerson family of companies. All other marks are the property of their respective owners. © 2019 Emerson Electric Co. All rights reserved.



CONSIDER IT SOLVED™