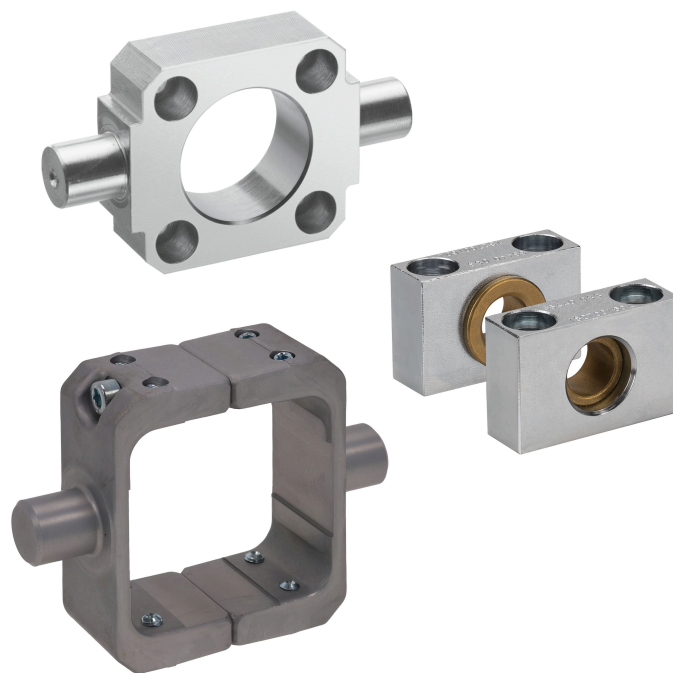


Fijaciones de pivote oscilante

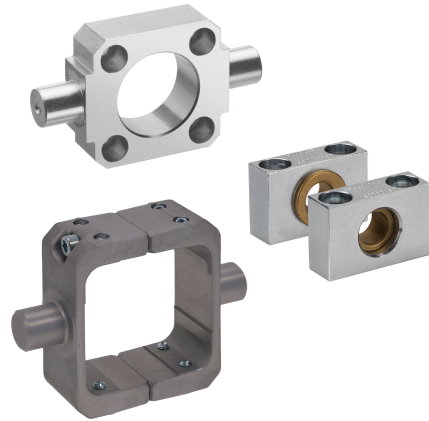


AVENTICS™

Charnela de fijación AVENTICS


EMERSON™

Fijaciones de pivote oscilante

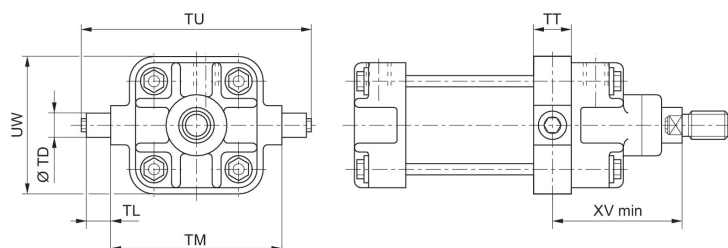


fijación de pivotes oscilantes MT4, Serie CM1

167



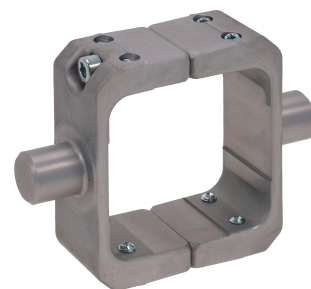
| Díámetro de émbolo [mm] | Material | N° de material |
|-------------------------|----------------|----------------|
| 32 | Acero, cromado | 3672803000 |
| 40 | Acero, cromado | 3672804000 |
| 50 | Acero, cromado | 3672805000 |
| 63 | Acero, cromado | 3672806000 |
| 80 | Acero, cromado | 3672808000 |
| 100 | Acero, cromado | 3672810000 |



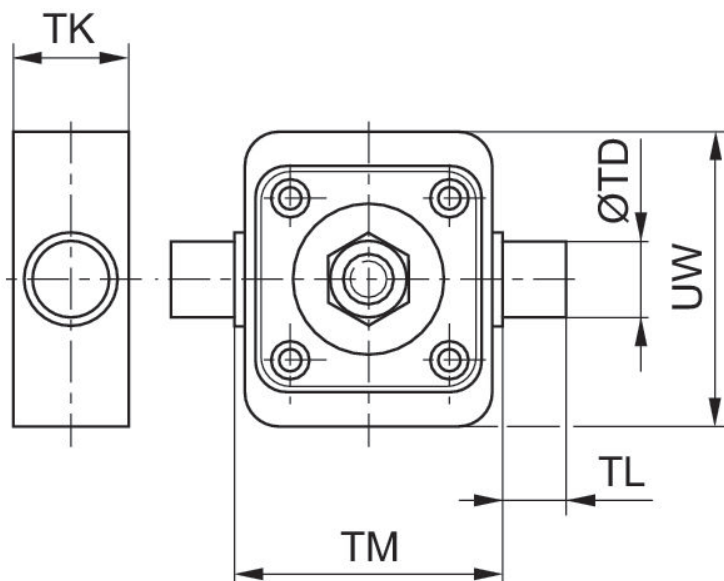
| Ø del émbolo | N° de material | TT | TD e9 | TL h14 | TM h14 | TU | UW | XV min |
|--------------|----------------|----|-------|--------|--------|-----|-----|--------|
| 32 | 3672803000 | 16 | 12 | 12 | 50 | 74 | 48 | 61,5 |
| 40 | 3672804000 | 23 | 16 | 16 | 63 | 95 | 61 | 74,5 |
| 50 | 3672805000 | 23 | 16 | 10 | 75 | 107 | 71 | 79,5 |
| 63 | 3672806000 | 33 | 20 | 20 | 90 | 130 | 86 | 91,5 |
| 80 | 3672808000 | 33 | 20 | 20 | 110 | 150 | 112 | 100,5 |
| 100 | 3672810000 | 45 | 25 | 25 | 132 | 182 | 134 | 115,5 |

fijación de pivotes oscilantes MT4, Serie CM1

PRA



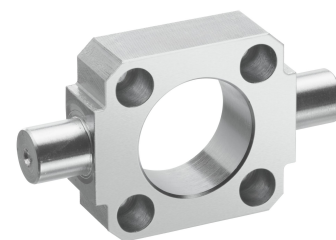
| Díámetro de émbolo [mm] | Material | N° de material |
|-------------------------|----------|----------------|
| 32 | Aluminio | 1827003991 |
| 40 | Aluminio | 1827003992 |
| 50 | Aluminio | 1827003993 |
| 63 | Aluminio | 1827003994 |
| 80 | Aluminio | 1827003995 |
| 100 | Aluminio | 1827003996 |
| 125 | Aluminio | 1827003997 |



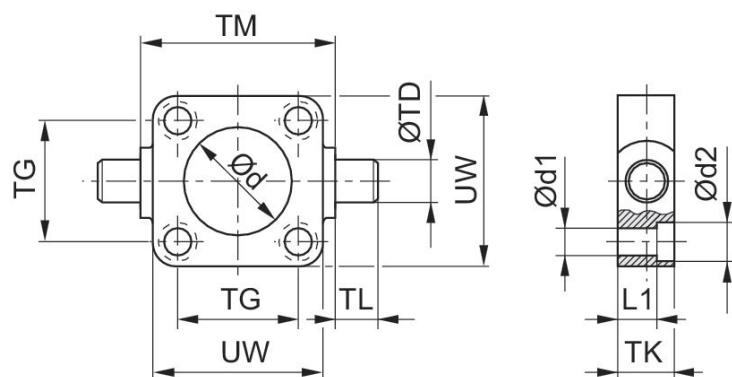
| Ø del émbolo | N° de material | TD e9 | TK máx. | TL h14 | TM h14 | UW |
|--------------|----------------|-------|---------|--------|--------|-----|
| 32 | 1827003991 | 12 | 22 | 12 | 50 | 64 |
| 40 | 1827003992 | 16 | 27 | 16 | 63 | 72 |
| 50 | 1827003993 | 16 | 27 | 16 | 75 | 90 |
| 63 | 1827003994 | 20 | 35 | 20 | 90 | 102 |
| 80 | 1827003995 | 20 | 35 | 20 | 110 | 125 |
| 100 | 1827003996 | 25 | 46 | 25 | 132 | 147 |

| Ø del émbolo | N° de material | TD e9 | TK máx. | TL h14 | TM h14 | UW |
|--------------|----------------|-------|---------|--------|--------|-----|
| 125 | 1827003997 | 25 | 46 | 25 | 160 | 178 |

fijación de pivotes oscilantes MT5, MT6, Serie CM1



| Díámetro de émbolo [mm] | Material | N° de material |
|-------------------------|-------------------------------------|----------------|
| 20 | Hierro fundido con grafito esférico | 1825805360 |
| 25 | Hierro fundido con grafito esférico | 1825805361 |
| 25 | Aluminio | R412026354 |
| 32 | Hierro fundido con grafito esférico | 1825805362 |
| 32 | Hierro fundido con grafito esférico | 1827001609 |
| 40 | Hierro fundido con grafito esférico | 1825805363 |
| 40 | Hierro fundido con grafito esférico | 1827001610 |
| 50 | Hierro fundido con grafito esférico | 1825805364 |
| 50 | Hierro fundido con grafito esférico | 1827001611 |
| 63 | Hierro fundido con grafito esférico | 1825805365 |
| 63 | Hierro fundido con grafito esférico | 1827002046 |
| 80 | Hierro fundido con grafito esférico | 1825805366 |
| 80 | Hierro fundido con grafito esférico | 1827001613 |
| 100 | Hierro fundido con grafito esférico | 1825805367 |
| 100 | Hierro fundido con grafito esférico | 1827001614 |
| 125 | Hierro fundido con grafito esférico | 1827001615 |
| 160 | Hierro fundido con grafito esférico | 1827001616 |
| 200 | Hierro fundido con grafito esférico | 1827001617 |
| 250 | Hierro fundido con grafito esférico | 1827001618 |



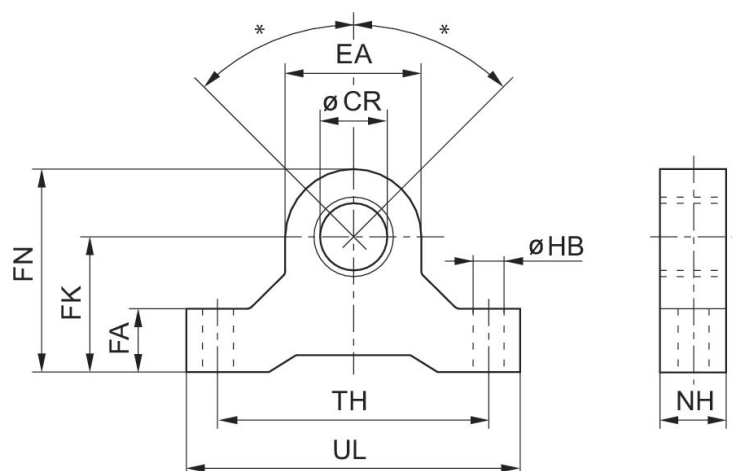
| Ø del émbolo | N° de material | Ø d H11 | Ø d1 | Ø d2 | L1 | TD e9 | TG ±0,2 | TK | TL h14 | TM h14 |
|--------------|----------------|---------|------|------|------|-------|---------|----|--------|--------|
| 20 | 1825805360 | 18 | 5.5 | 10 | 8 | 12 | 22 | 14 | 12 | 38 |
| 25 | 1825805361 | 22 | 5.5 | 10 | 8 | 12 | 26 | 14 | 12 | 42 |
| 25 | R412026354 | 24 | 5.5 | 10 | 8 | 12 | 26 | 14 | 12 | 42 |
| 32 | 1825805362 | 32 | 6.6 | 10.5 | 7 | 12 | 32 | 14 | 12 | 52 |
| 32 | 1827001609 | 30 | 6.6 | 11 | 7.5 | 12 | 32.5 | 16 | 12 | 50 |
| 40 | 1825805363 | 46 | 6.6 | 11 | 12 | 16 | 42 | 19 | 16 | 63 |
| 40 | 1827001610 | 35 | 6.6 | 11 | 7.5 | 16 | 38 | 20 | 16 | 63 |
| 50 | 1825805364 | 53 | 9 | 14 | 10 | 16 | 50 | 19 | 16 | 75 |
| 50 | 1827001611 | 40 | 9 | 15 | 10 | 16 | 46.5 | 24 | 16 | 75 |
| 63 | 1825805365 | 69 | 9 | 15 | 15 | 20 | 62 | 24 | 20 | 90 |
| 63 | 1827002046 | 45 | 9 | 15 | 10 | 20 | 56.5 | 24 | 20 | 90 |
| 80 | 1825805366 | 87 | 11 | 18 | 13 | 20 | 82 | 24 | 20 | 110 |
| 80 | 1827001613 | 45 | 11 | 18 | 16 | 20 | 72 | 28 | 20 | 110 |
| 100 | 1825805367 | 55 | 11 | 18 | 18 | 25 | 103 | 29 | 25 | 132 |
| 100 | 1827001614 | 55 | 11 | 18 | 25.5 | 25 | 89 | 38 | 25 | 132 |
| 125 | 1827001615 | 60 | 14 | 20 | 34 | 25 | 110 | 46 | 25 | 160 |
| 160 | 1827001616 | 65 | 18 | 26 | 38 | 32 | 140 | 50 | 32 | 200 |
| 200 | 1827001617 | 75 | 18 | 26 | 40 | 32 | 175 | 60 | 32 | 250 |
| 250 | 1827001618 | 90 | 22 | 33 | 57 | 40 | 220 | 70 | 40 | 320 |

| Ø del émbolo | UW |
|--------------|-----|
| 20 | 35 |
| 25 | 39 |
| 25 | 39 |
| 32 | 46 |
| 32 | 48 |
| 40 | 59 |
| 40 | 56 |
| 50 | 69 |
| 50 | 65 |
| 63 | 84 |
| 63 | 75 |
| 80 | 102 |
| 80 | 100 |
| 100 | 125 |
| 100 | 120 |
| 125 | 145 |
| 160 | 184 |
| 200 | 224 |
| 250 | 286 |

Cojinete, Serie CM1



| Diámetro de émbolo [mm] | Cojinete de articulación-Ø [mm] | Material | N° de material |
|-------------------------|---------------------------------|----------|----------------|
| 25 | 10 | Aluminio | 3671202000 |
| 32 | 12 | Aluminio | 3671203000 |
| 40, 50 | 16 | Aluminio | 3671204000 |
| 63, 80 | 20 | Aluminio | 3671206000 |
| 100, 125 | 25 | Aluminio | 3671210000 |
| 100 | 30 | Aluminio | 3671212000 |
| 160, 200 | 32 | Aluminio | 3671216000 |
| 250, 320 | 35 | Aluminio | 3671220000 |



* Movimiento pendular máx. para cilindro con soporte MP6 con cojinete de articulación esférica: ±45°

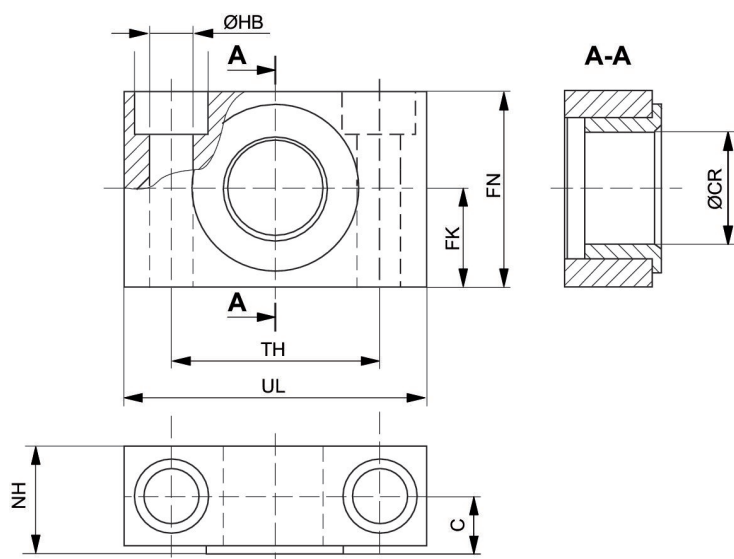
| Ø del émbolo | N° de material | Ø CR H8 | EA | FA | FK ±0,1 | FN | HB | NH | TH | UL |
|--------------|----------------|---------|----|----|---------|-----|-----|----|-----|-----|
| 25 | 3671202000 | 10 | 16 | 10 | 21 | 29 | 5.5 | 10 | 27 | 37 |
| 32 | 3671203000 | 12 | 19 | 11 | 22 | 32 | 6.6 | 11 | 44 | 55 |
| 40, 50 | 3671204000 | 16 | 28 | 16 | 35 | 49 | 9 | 16 | 65 | 82 |
| 63, 80 | 3671206000 | 20 | 38 | 19 | 40 | 59 | 9 | 19 | 80 | 99 |
| 100, 125 | 3671210000 | 25 | 46 | 22 | 48 | 71 | 11 | 22 | 96 | 118 |
| 100 | 3671212000 | 30 | 56 | 28 | 57 | 88 | 13 | 28 | 114 | 142 |
| 160, 200 | 3671216000 | 32 | 66 | 32 | 70 | 103 | 17 | 32 | 140 | 172 |
| 250, 320 | 3671220000 | 35 | 66 | 32 | 70 | 103 | 17 | 32 | 140 | 172 |

Cojinete AT4, Serie CM1

ISO 15552



| Diámetro de émbolo [mm] | Cojinete de articulación-Ø [mm] | Normalización | Material | N° de material |
|-------------------------|---------------------------------|---------------|----------------|----------------|
| 20, 25, 32 | 12 | ISO 15552 | Acero, cromado | 1827001603 |
| 40, 50 | 16 | ISO 15552 | Acero, cromado | 1827001604 |
| 63, 80 | 20 | ISO 15552 | Acero, cromado | 1827001605 |
| 100, 125 | 25 | ISO 15552 | Acero, cromado | 1827001606 |
| 160, 200 | 32 | ISO 15552 | Acero, cromado | 1827001607 |
| 250 | 40 | ISO 15552 | Acero, cromado | R412018908 |
| 320 | 40 | ISO 15552 | Acero, cromado | R412018903 |



| Ø del émbolo | N° de material | UL | NH | TH | C | CR H9 | HB H13 | FN | FK |
|--------------|----------------|-----|------|---------|------|-------|--------|----|---------|
| 20, 25, 32 | 1827001603 | 46 | 18 | 32 ±0,2 | 10.5 | 12 | 6.6 | 30 | 15 ±0,1 |
| 40, 50 | 1827001604 | 55 | 21 | 36 ±0,2 | 12 | 16 | 9 | 36 | 18 ±0,1 |
| 63, 80 | 1827001605 | 65 | 23 | 42 ±0,2 | 13 | 20 | 11 | 40 | 20 ±0,1 |
| 100, 125 | 1827001606 | 75 | 28.5 | 50 ±0,2 | 16 | 25 | 14 | 50 | 25 ±0,1 |
| 160, 200 | 1827001607 | 92 | 40 | 60 ±0,3 | 22.5 | 32 | 18 | 60 | 30 ±0,2 |
| 250 | 1827001608 | 140 | 50 | 90 ±0,3 | 27.5 | 40 | 22 | 70 | 35 ±0,2 |

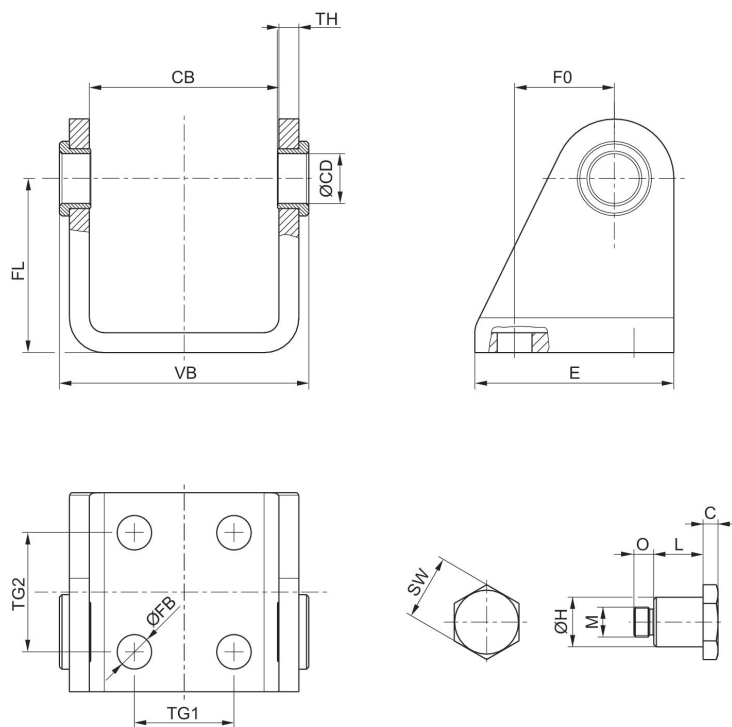
| Ø del émbolo | N° de material | UL | NH | TH | C | CR H9 | HB H13 | FN | FK |
|--------------|----------------|-----|----|-----|------|-------|--------|----|----|
| 320 | R412018903 | 150 | 60 | 100 | 32.5 | 50 | 26 | 80 | 40 |

fijación de pivotes oscilantes MP2, Serie CM1

RPC



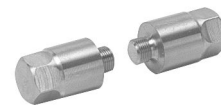
| Díámetro de émbolo [mm] | Material | N° de material |
|-------------------------|----------------|----------------|
| 32 | Acero, cromado | R412019988 |
| 40 | Acero, cromado | R412019989 |
| 50 | Acero, cromado | R412019990 |
| 63 | Acero, cromado | R412019991 |



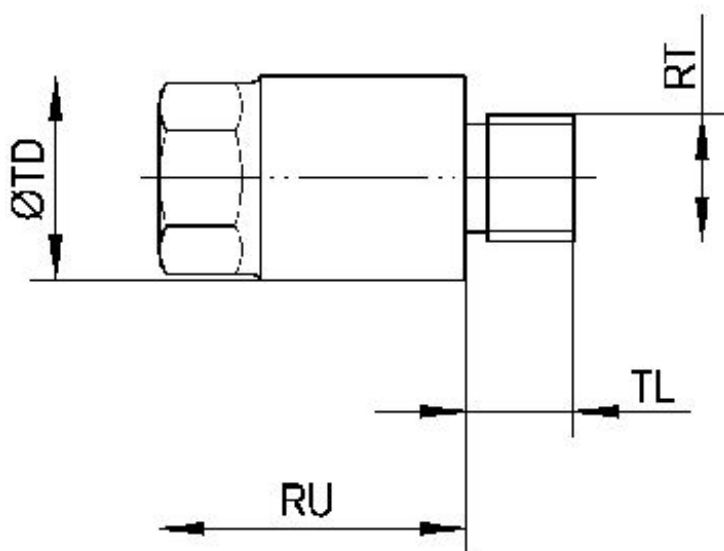
| Ø del émbolo | N° de material | C | CB | Ø CD H9 | E | Ø FB | FL | F0 | Ø H e9 | L |
|--------------|----------------|---|------|---------|----|------|----|----|--------|------|
| 32 | R412019988 | 3 | 38.1 | 10 | 40 | 7 | 35 | 20 | 10 | 9.9 |
| 40 | R412019989 | 3 | 46.1 | 12 | 50 | 9 | 40 | 27 | 12 | 10.4 |
| 50 | R412019990 | 4 | 57.1 | 14 | 54 | 9 | 45 | 30 | 14 | 12.9 |
| 63 | R412019991 | 4 | 70.1 | 16 | 65 | 9 | 50 | 34 | 16 | 13.9 |

| Ø del émbolo | M | O | SW | TG1 | TG2 | TH | VB |
|--------------|---------|---|----|-----|-----|----|------|
| 32 | M6x0,5 | 4 | 13 | 20 | 24 | 4 | 50.1 |
| 40 | M6x0,5 | 4 | 17 | 28 | 30 | 5 | 60.1 |
| 50 | M8x0,75 | 7 | 19 | 36 | 34 | 6 | 74.1 |
| 63 | M8x0,75 | 7 | 19 | 42 | 35 | 6 | 87.1 |

Perno de fijación



| Diámetro de émbolo [mm] | Material | N° de material |
|-------------------------|------------------|----------------|
| 32 | Acero inoxidable | 2992113030 |
| 40 | Acero inoxidable | 2992113040 |
| 50 | Acero inoxidable | 2992113050 |
| 63 | Acero inoxidable | 2992113060 |
| 80 | Acero inoxidable | 2992113080 |



| Ø del émbolo | N° de material | RT | RU | Ø TD h9 | TL |
|--------------|----------------|---------|----|---------|-----|
| 32 | 2992113030 | M6x0,5 | 17 | 12 | 5 |
| 40 | 2992113040 | M6x0,5 | 17 | 12 | 6 |
| 50 | 2992113050 | M8x0,75 | 20 | 16 | 7.5 |
| 63 | 2992113060 | M10x1 | 24 | 16 | 8.5 |
| 80 | 2992113080 | M12x1 | 27 | 16 | 16 |

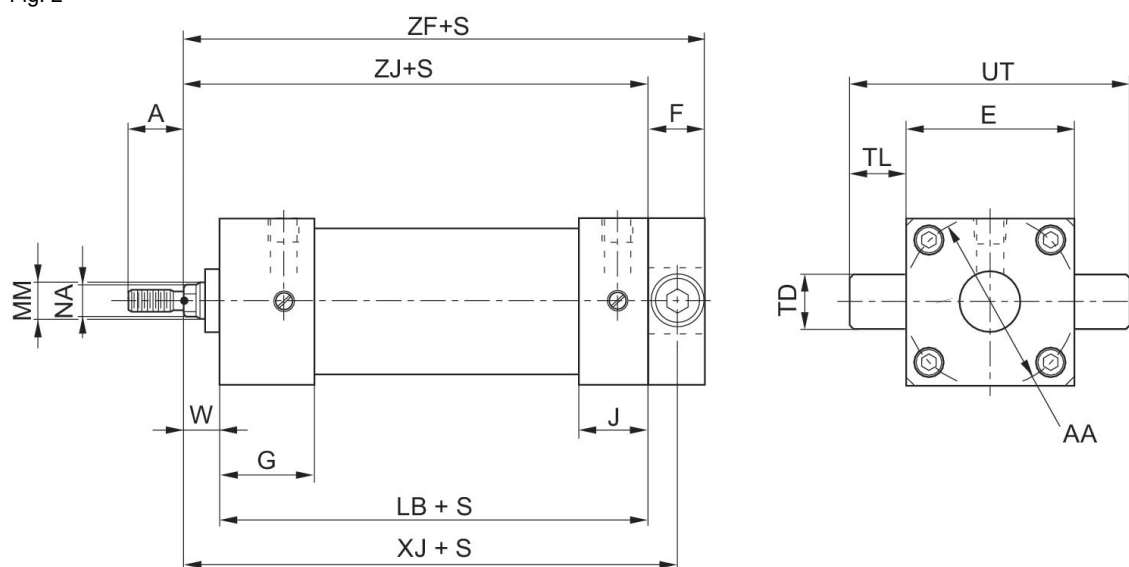
fijación de pivotes oscilantes, Serie MT1, MT2

NFPA
TaskMaster®



| Diámetro de émbolo [mm] | Material | N° de material |
|-------------------------|------------------------------|----------------|
| 38.1 | fundición aluminio a presión | R432013510 |
| 50.8 | fundición aluminio a presión | R432013507 |
| 63.5 | fundición aluminio a presión | R432013513 |
| 82.55 | fundición aluminio a presión | R432013489 |
| 101.6 | fundición aluminio a presión | R432013516 |

Fig. 2



S = carrera

Dimensiones en pulgadas

| Ø | N° de material | MM | E | F | W | AA | LB | TD | TL | UT |
|------|----------------|-------|------|------|------|------|------|------|------|------|
| 1.5 | R432013510 | 0.625 | 2.00 | 1.00 | 1.38 | 2.02 | 3.98 | 1.00 | 1.00 | 4.00 |
| 2.0 | R432013507 | 0.625 | 2.5 | 1.00 | 1.38 | 2.6 | 3.98 | 1.00 | 1.00 | 4.5 |
| 2.5 | R432013513 | 0.625 | 3.00 | 1.00 | 1.38 | 3.1 | 4.1 | 1.00 | 1.00 | 5.00 |
| 3.25 | R432013489 | 1.00 | 3.75 | 1.00 | 1.5 | 3.90 | 4.86 | 1.00 | 1.00 | 5.77 |
| 4.0 | R432013516 | 1.00 | 4.50 | 1.00 | 1.5 | 4.70 | 4.86 | 1.00 | 1.00 | 6.49 |

| Ø | XJ | ZF | ZJ |
|------|------|------|------|
| 1.5 | 5.1 | 5.63 | 4.6 |
| 2.0 | 5.1 | 5.63 | 4.6 |
| 2.5 | 5.22 | 5.75 | 4.72 |
| 3.25 | 6.11 | 6.63 | 5.61 |
| 4.0 | 6.11 | 5.63 | 5.61 |

Dimensiones en pulgadas

| Ø | N° de material | MM | E | F | W | AA | LB | TD | TL | UT |
|------|----------------|-------|------|------|------|------|------|------|------|------|
| 1.5 | R432013510 | 0.625 | 2.00 | 1.00 | 1.38 | 2.02 | 3.98 | 1.00 | 1.00 | 4.00 |
| 2.0 | R432013507 | 0.625 | 2.5 | 1.00 | 1.38 | 2.6 | 3.98 | 1.00 | 1.00 | 4.5 |
| 2.5 | R432013513 | 0.625 | 3.00 | 1.00 | 1.38 | 3.1 | 4.1 | 1.00 | 1.00 | 5.00 |
| 3.25 | R432013489 | 1.00 | 3.75 | 1.00 | 1.5 | 3.90 | 4.86 | 1.00 | 1.00 | 5.77 |
| 4.0 | R432013516 | 1.00 | 4.50 | 1.00 | 1.5 | 4.70 | 4.86 | 1.00 | 1.00 | 6.49 |

| Ø | XG | ZJ |
|------|------|------|
| 1.5 | 0.12 | 5.6 |
| 2.0 | 0.12 | 5.6 |
| 2.5 | 0.12 | 5.72 |
| 3.25 | 0.25 | 6.61 |
| 4.0 | 0.25 | 6.61 |

Efficient pneumatic solutions, our program: cylinders and drives, valves and valve systems, air supply management



Visit us: [Emerson.com/Aventics](https://www.emerson.com/aventics)

Your local contact: [Emerson.com/contactus](https://www.emerson.com/contactus)



[Emerson.com](https://www.emerson.com)



[Facebook.com/EmersonAutomationSolutions](https://www.facebook.com/EmersonAutomationSolutions)



[LinkedIn.com/company/Emerson-Automation-Solutions](https://www.linkedin.com/company/Emerson-Automation-Solutions)



[Twitter.com/EMR_Automation](https://twitter.com/EMR_Automation)

An example configuration is depicted on the title page. The delivered product may thus vary from that in the illustration. Subject to change. This Document, as well as the data, specifications and other information set forth in it, are the exclusive property of AVENTICS GmbH. It may not be reproduced or given to third parties without its consent. Only use the AVENTICS products shown in industrial applications. Read the product documentation completely and carefully before using the product. Observe the applicable regulations and laws of the respective country. When integrating the product into applications, note the system manufacturer's specifications for safe use of the product. The data specified only serve to describe the product. No statements concerning a certain condition or suitability for a certain application can be derived from our information. The information given does not release the user from the obligation of own judgment and verification. It must be remembered that the products are subject to a natural process of wear and aging.

The Emerson logo is a trademark and service mark of Emerson Electric Co. Brand logotype are registered trademarks of one of the Emerson family of companies. All other marks are the property of their respective owners. © 2019 Emerson Electric Co. All rights reserved.



CONSIDER IT SOLVED™