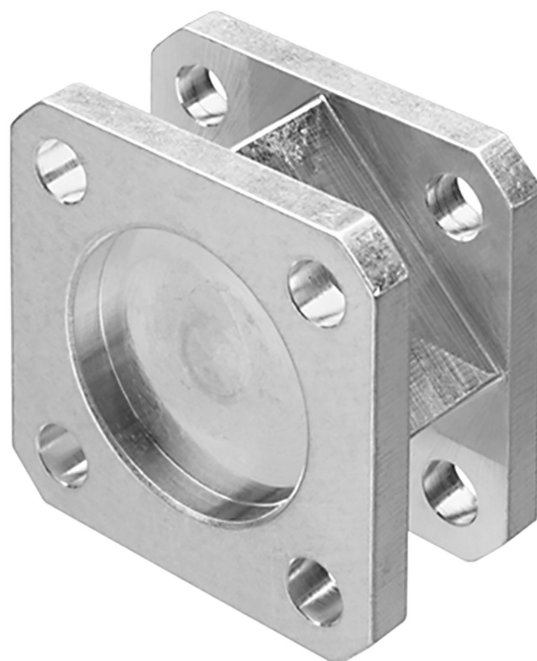


Zwischenflansch



Zwischenflansch

- für Mehrstellungszyylinder



Produktübersicht

Metrisch

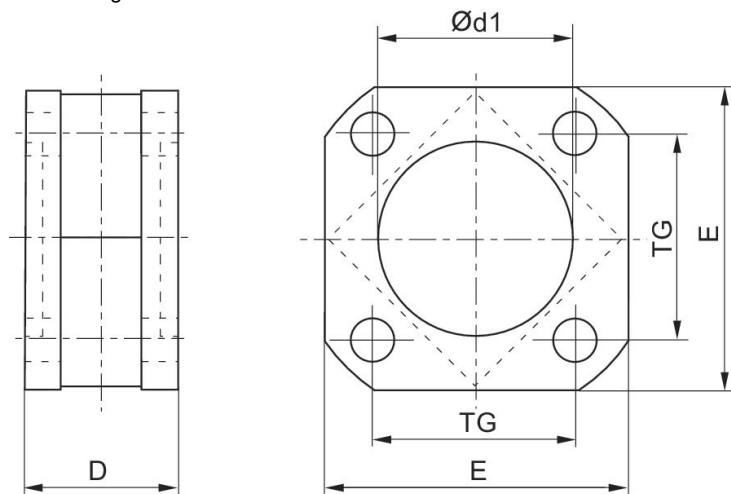
	Seite
Zwischenflansch JP1, Serie CM1..... für Mehrstellungszyylinder	4
Zwischenflansch JP2, Serie CM1..... für Mehrstellungszyylinder	5

Zwischenflansch JP1, Serie CM1



geeigneter Kolben-Ø [mm]	Werkstoff	Materialnummer
32	Aluminium	1827020247
40	Aluminium	1827020248
50	Aluminium	1827020249
63	Aluminium	1827020250
80	Aluminium	1827020251
100	Aluminium	1827020252
125	Aluminium	1827020253

Abmessungen



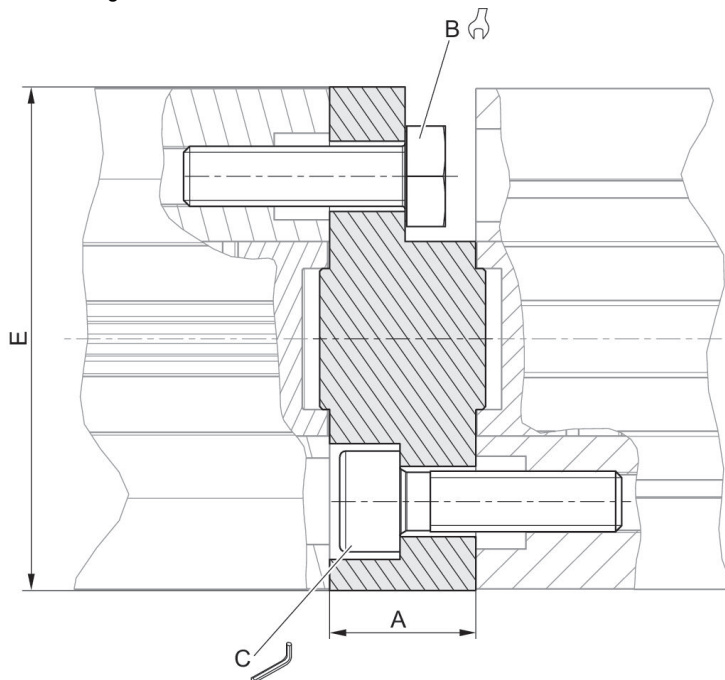
Kolben-Ø	Materialnummer	D	Ø d1 N7	E	TG
32	1827020247	27	30	47	32.5
40	1827020248	27	35	53	38
50	1827020249	32	40	65	46.5
63	1827020250	28	45	75	56.5
80	1827020251	38	45	95	72
100	1827020252	38	55	115	89
125	1827020253	44	60	140	110

Zwischenflansch JP2, Serie CM1



geeigneter Kolben-Ø [mm]	Werkstoff	Materialnummer
16	Aluminium	1827020290
20	Aluminium	1827020267
25	Aluminium	1827020268
32	Aluminium	1827020269
40	Aluminium	1827020270
50	Aluminium	1827020271
63	Aluminium	1827020272
80	Aluminium	1827020273
80	Aluminium	R412024535
100	Aluminium	R412024536
100	Aluminium	1827020274

Abmessungen







Kolben-Ø	Materialnummer	Für Serie	A	B	C	Md [Nm] 1)	E
16	1827020290	CCI, KPZ	12.5	7	–	2.5	28.4
20	1827020267	CCI, KPZ	12.5	8	–	4	35
25	1827020268	CCI, KPZ	13	8	4	4	40
32	1827020269	CCI, KPZ	14.5	10	5	4	50
40	1827020270	CCI, KPZ	14.5	10	5	4	57.1
50	1827020271	CCI, KPZ	14.5	13	6	8	67.4
63	1827020272	CCI, KPZ	14.5	13	6	8	80
80	R412024535	KPZ	16.5	16	8	16	95
80	1827020273	CCI	16.5	16	–	16	98.4
100	R412024536	CCI	19.5	16	8	16	115
100	1827020274	KPZ	19.5	16	–	16	120

1) Drehmoment

Efficient pneumatic solutions, our program:
cylinders and drives, valves and valve systems,
air supply management, proportional pressure
control valves



Visit us: www.Emerson.com/aventics
Your local contact: Emerson.com/contactus

-  Emerson.com
-  Facebook.com/EmersonAutomationSolutions
-  LinkedIn.com/company/Emerson-Automation-Solutions
-  Twitter.com/EMR_Automation



The Emerson logo is a trademark and service mark of Emerson Electric Co. AVENTICS is a registered trademark of one of the Emerson family of companies. All other trademarks are the property of their respective owners. © 2020 Emerson Electric Co. All rights reserved.



CONSIDER IT SOLVED[®]