

螺栓

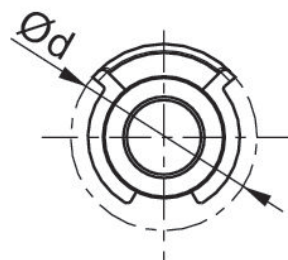




螺栓 AA4, 系列 CM1



活塞直径 [mm]	材料	表面	物料号
32	钢, 镀铬	镀锌	1823120020
40	钢, 镀铬	镀锌	1823120021
50	钢, 镀铬	镀锌	1823120022
63	钢, 镀铬	镀锌	1823120023
80	钢, 镀铬	镀锌	1823120024
100	钢, 镀铬	镀锌	1823120025

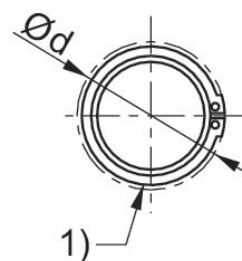
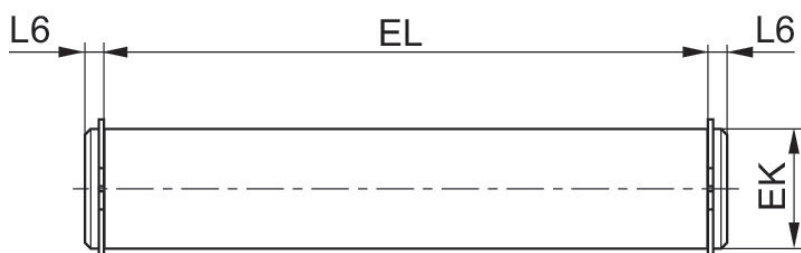


活塞- Ø	物料号	Ø d 最大	EK e8	EL	L 最大	L6 最大
32	1823120020	20	10	45.2 +0,3	3.5	9
40	1823120021	22	12	52.2 +0,3	4	9
50	1823120022	22	12	60.2 +0,3	4	9
63	1823120023	28	16	70.2 +0,3	4.5	11
80	1823120024	28	16	90.2 +0,3	4.5	11
100	1823120025	38	20	110.2 +0,3	5	11

螺栓 AA4, 系列 CM1



活塞直径 [mm]	标准化	材料	表面	物料号
25, 32		钢, 镀铬	氮碳共渗	3661302000
40, 50		钢, 镀铬	氮碳共渗	3661303000
63, 80		钢, 镀铬	氮碳共渗	3661304000
100		钢, 镀铬	氮碳共渗	3661306000
125	ISO 15552	钢, 镀铬	镀锌	5236000092
160, 200	ISO 15552	钢, 镀铬	镀锌	5237000092
250	ISO 15552	钢, 镀铬	镀锌	5239000092
320	ISO 15552	钢, 镀铬	镀锌	5239010092



1) 锁紧环符合DIN 471

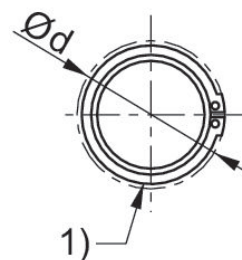
活塞- Ø	物料号	Ø d 最大	EK e8	EL	L6 最大
25, 30	3661302000	19	10	29.2	2.4
40, 50	3661303000	21	12	34.4	2.8
63, 80	3661304000	28	16	48.4	2.8
100	3661306000	40	20	58.4	3.3
125	5236000092	34.2	25	132 +0,5	3.75
160, 200	5237000092	40.5	30	172 +0,5	4.25
250	5239000092	52.6	40	202 +0,5	6.75
320	5239010092	59.1	45	222 +0,5	7.25

螺栓 AA4, 系列 CM1

RPC
PRA
TRB
CCL-IS

活塞直径 [mm]	标准化	材料	物料号
25		不锈钢	R412027660
32	ISO 15552	不锈钢	R412025612
40	ISO 15552	不锈钢	R412025613
50	ISO 15552	不锈钢	R412025614
63	ISO 15552	不锈钢	R412025615
80	ISO 15552	不锈钢	R412025616
100	ISO 15552	不锈钢	R412025617
125	ISO 15552	不锈钢	R412025618

规格



1) 带锁紧环

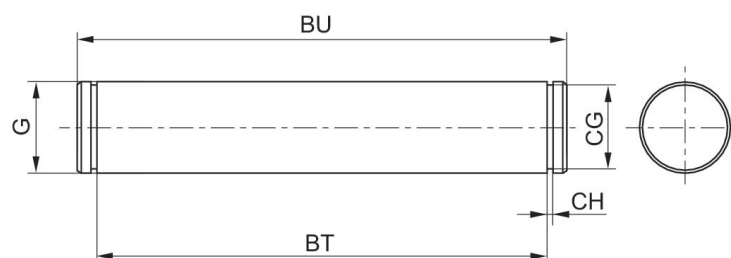
物料号	活塞-Ø	Ø d 最大	EK e8	EL +0.3	L6 最大
R412027660	25	9.6	10	36.5	3
R412025612	32	9.6	10	46	9
R412025613	40	11.5	12	53	9
R412025614	50	11.5	12	61	9
R412025615	63	15.2	16	71	11
R412025616	80	15.2	16	91	11
R412025617	100	19.0	20	111	11
R412025618	125	23.9	25	132	11

螺栓, AA4

CNOMO / NFE 49-001



活塞直径 [mm]	标准化	材料	表面	物料号
25	CNOMO / NFE 49-001	钢, 镀铬	镀锌	R422003612
32	CNOMO / NFE 49-001	钢, 镀铬	镀锌	R422003613
40	CNOMO / NFE 49-001	钢, 镀铬	镀锌	R422003614
50	CNOMO / NFE 49-001	钢, 镀铬	镀锌	R422003615
63	CNOMO / NFE 49-001	钢, 镀铬	镀锌	R422003616
80	CNOMO / NFE 49-001	钢, 镀铬	镀锌	R422003617
100	CNOMO / NFE 49-001	钢, 镀铬	镀锌	R422003618
125	CNOMO / NFE 49-001	钢, 镀铬	镀锌	R422003619
160	CNOMO / NFE 49-001	钢, 镀铬	镀锌	R422003620
200	CNOMO / NFE 49-001	钢, 镀铬	镀锌	R422003621

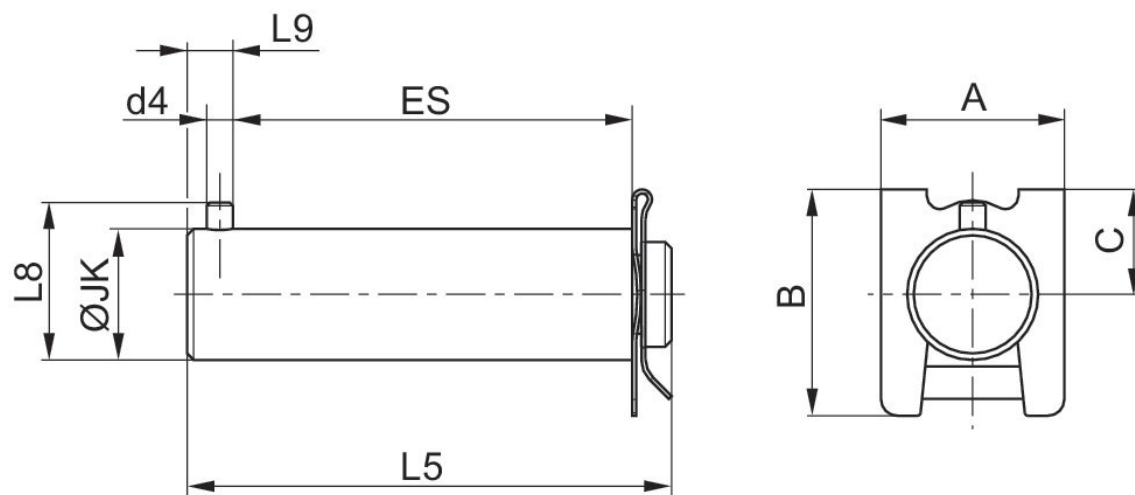


活塞- Ø	物料号	BT	BU	CG	CH	G f7
25	R422003612	41	47	7.6	1.1	8
32	R422003613	46	53	7.6	1.1	8
40	R422003614	53	60	11.5	1.1	12
50	R422003615	66	73	11.5	1.1	12
63	R422003616	76	83	15.2	1.1	16
80	R422003617	96	103	15.2	1.1	16
100	R422003618	117	124	19	1.3	20
125	R422003619	142	149	19	1.3	20
160	R422003620	182	189	23.9	1.3	25
200	R422003621	222	229	23.9	1.3	25

带扭转止动器 AA6 的螺栓，CM1 系列



活塞直径 [mm]	标准化	材料	物料号
32	ISO 15552	不锈钢	5230000082
40		不锈钢	5231000082
50		不锈钢	5232000082
63		不锈钢	5233000082
80		不锈钢	5234000082
100	ISO 15552	不锈钢	5235000082



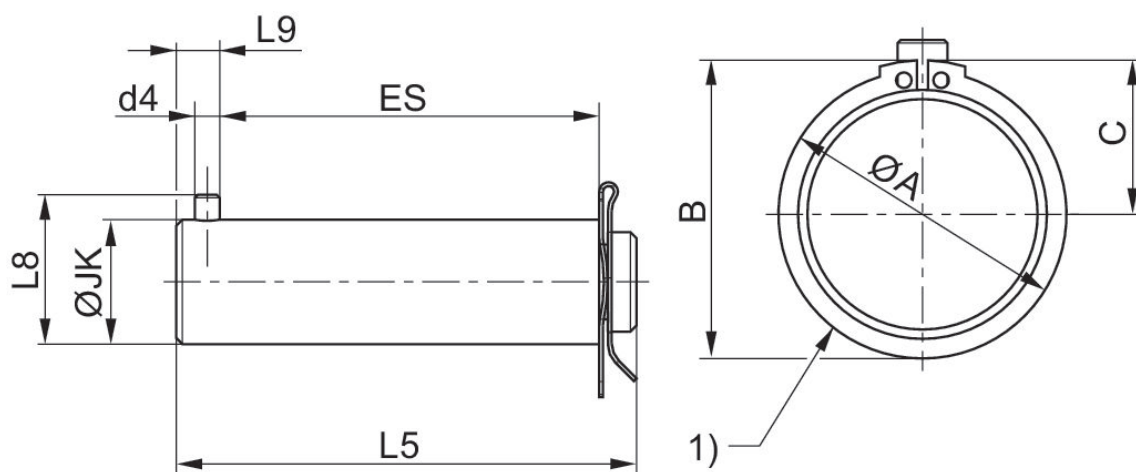
1) 锁紧环符合DIN 471

活塞- Ø	物料号	A	B	C	Ø d4 H12	JK h9	ES	L5	L8	L9
32	5230000082	18	22	10	3	10	31	41	14	5.5
40	5231000082	22	26	12	4	12	36	48	16	7
50	5232000082	28	34.5	16	4	16	41	54	20	7
63	5233000082	28	34.5	16	4	16	47	60	20	7
80	5234000082	28	34.5	16	4	20	63	74	24	5
100	5235000082	28	34.5	16	4	20	71	84	24	7

带扭转止动器 AA6 的螺栓，CM1 系列



活塞直径 [mm]	标准化	材料	物料号
125	ISO 15552	不锈钢	5236000082
160, 200	ISO 15552	不锈钢	5237000082



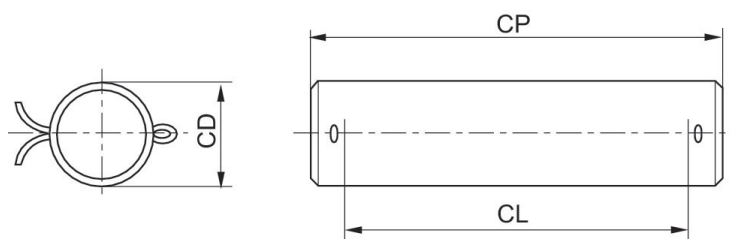
活塞- Ø	物料号	A	B	C	Ø d4 H12	JK h9	ES	L5	L8	L9
125	5236000082	36	37.5	19.5	6	30	88	106	36	13
160, 200	5237000082	41.5	43	22.5	6	35	113	131	41	13

螺栓



活塞直径 [mm]	材料	物料号
152.4	钢, 镀铬	R433012625
152.4	钢, 镀铬	R433012627
38.1, 50.8, 63.5	钢, 镀铬	R433012619
82.55, 101.6	钢, 镀铬	R433012621
127, 152.4	钢, 镀铬	R433012623

尺寸按英寸



尺寸按英寸

物料号	CD	CL	CP
R433012619	0.5	1.88	2.09
R433012621	0.75	2.62	2.88
R433012623	1.00	3.12	3.38
R433012625	1.375	4.00	4.63
R433012627	1.750	5.00	5.63

Efficient pneumatic solutions, our program: cylinders and drives, valves and valve systems, air supply management



Visit us: [Emerson.com/Aventics](https://www.emerson.com/aventics)

Your local contact: [Emerson.com/contactus](https://www.emerson.com/contactus)



[Emerson.com](https://www.emerson.com)



[Facebook.com/EmersonAutomationSolutions](https://www.facebook.com/EmersonAutomationSolutions)



[LinkedIn.com/company/Emerson-Automation-Solutions](https://www.linkedin.com/company/Emerson-Automation-Solutions)



[Twitter.com/EMR_Automation](https://twitter.com/EMR_Automation)

An example configuration is depicted on the title page. The delivered product may thus vary from that in the illustration. Subject to change. This Document, as well as the data, specifications and other information set forth in it, are the exclusive property of AVENTICS GmbH. It may not be reproduced or given to third parties without its consent. Only use the AVENTICS products shown in industrial applications. Read the product documentation completely and carefully before using the product. Observe the applicable regulations and laws of the respective country. When integrating the product into applications, note the system manufacturer's specifications for safe use of the product. The data specified only serve to describe the product. No statements concerning a certain condition or suitability for a certain application can be derived from our information. The information given does not release the user from the obligation of own judgment and verification. It must be remembered that the products are subject to a natural process of wear and aging.

The Emerson logo is a trademark and service mark of Emerson Electric Co. Brand logotype are registered trademarks of one of the Emerson family of companies. All other marks are the property of their respective owners. © 2019 Emerson Electric Co. All rights reserved.



EMERSON™

CONSIDER IT SOLVED™