

Tornillo



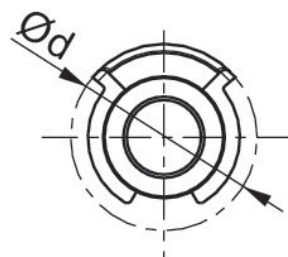
Tornillo



Tornillo AA4, Serie CM1



Diámetro de émbolo [mm]	Material	Superficie	N° de material
32	Acero, cromado	galvanizado	1823120020
40	Acero, cromado	galvanizado	1823120021
50	Acero, cromado	galvanizado	1823120022
63	Acero, cromado	galvanizado	1823120023
80	Acero, cromado	galvanizado	1823120024
100	Acero, cromado	galvanizado	1823120025

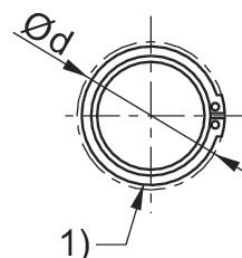
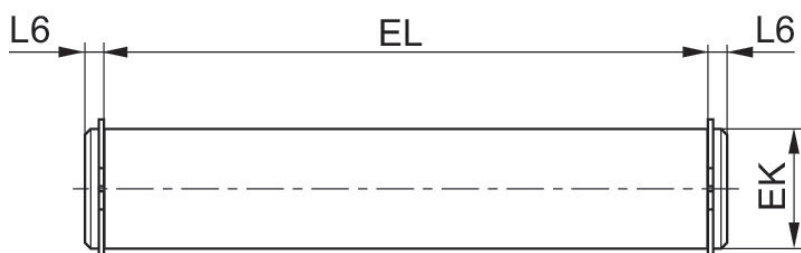


Ø del émbolo	N° de material	Ø d máx.	EK e8	EL	L máx.	L6 máx.
32	1823120020	20	10	45.2 +0,3	3.5	9
40	1823120021	22	12	52.2 +0,3	4	9
50	1823120022	22	12	60.2 +0,3	4	9
63	1823120023	28	16	70.2 +0,3	4.5	11
80	1823120024	28	16	90.2 +0,3	4.5	11
100	1823120025	38	20	110.2 +0,3	5	11

Tornillo AA4, Serie CM1



Díámetro de émbolo [mm]	Normalización	Material	Superficie	N° de material
25, 32		Acero, cromado	nitrocarburado	3661302000
40, 50		Acero, cromado	nitrocarburado	3661303000
63, 80		Acero, cromado	nitrocarburado	3661304000
100		Acero, cromado	nitrocarburado	3661306000
125	ISO 15552	Acero, cromado	galvanizado	5236000092
160, 200	ISO 15552	Acero, cromado	galvanizado	5237000092
250	ISO 15552	Acero, cromado	galvanizado	5239000092
320	ISO 15552	Acero, cromado	galvanizado	5239010092



1) anillo de seguridad DIN 471

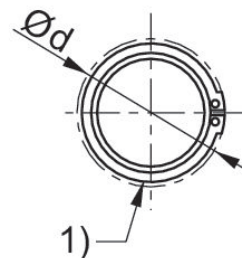
Ø del émbolo	N° de material	Ø d máx.	EK e8	EL	L6 máx.
25, 30	3661302000	19	10	29.2	2.4
40, 50	3661303000	21	12	34.4	2.8
63, 80	3661304000	28	16	48.4	2.8
100	3661306000	40	20	58.4	3.3
125	5236000092	34.2	25	132 +0,5	3.75
160, 200	5237000092	40.5	30	172 +0,5	4.25
250	5239000092	52.6	40	202 +0,5	6.75
320	5239010092	59.1	45	222 +0,5	7.25

Tornillo AA4, Serie CM1

RPC
PRA
TRB
CCL-IS

Diámetro de émbolo [mm]	Normalización	Material	N° de material
25		Acero inoxidable	R412027660
32	ISO 15552	Acero inoxidable	R412025612
40	ISO 15552	Acero inoxidable	R412025613
50	ISO 15552	Acero inoxidable	R412025614
63	ISO 15552	Acero inoxidable	R412025615
80	ISO 15552	Acero inoxidable	R412025616
100	ISO 15552	Acero inoxidable	R412025617
125	ISO 15552	Acero inoxidable	R412025618

Dimensiones



1) con circlip

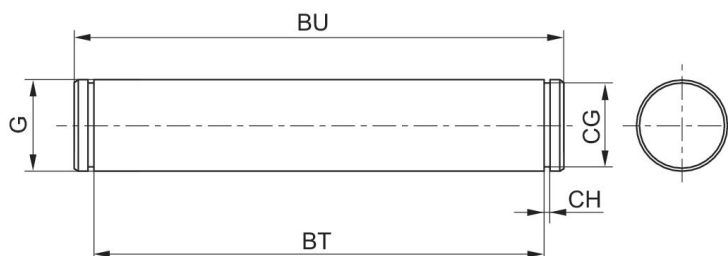
N° de material	Ø del émbolo	Ø d máx.	EK e8	EL +0.3	L6 máx.
R412027660	25	9.6	10	36.5	3
R412025612	32	9.6	10	46	9
R412025613	40	11.5	12	53	9
R412025614	50	11.5	12	61	9
R412025615	63	15.2	16	71	11
R412025616	80	15.2	16	91	11
R412025617	100	19.0	20	111	11
R412025618	125	23.9	25	132	11

Tornillo, AA4

CNOMO / NFE 49-001



Diámetro de émbolo [mm]	Normalización	Material	Superficie	N° de material
25	CNOMO / NFE 49-001	Acero, cromado	galvanizado	R422003612
32	CNOMO / NFE 49-001	Acero, cromado	galvanizado	R422003613
40	CNOMO / NFE 49-001	Acero, cromado	galvanizado	R422003614
50	CNOMO / NFE 49-001	Acero, cromado	galvanizado	R422003615
63	CNOMO / NFE 49-001	Acero, cromado	galvanizado	R422003616
80	CNOMO / NFE 49-001	Acero, cromado	galvanizado	R422003617
100	CNOMO / NFE 49-001	Acero, cromado	galvanizado	R422003618
125	CNOMO / NFE 49-001	Acero, cromado	galvanizado	R422003619
160	CNOMO / NFE 49-001	Acero, cromado	galvanizado	R422003620
200	CNOMO / NFE 49-001	Acero, cromado	galvanizado	R422003621

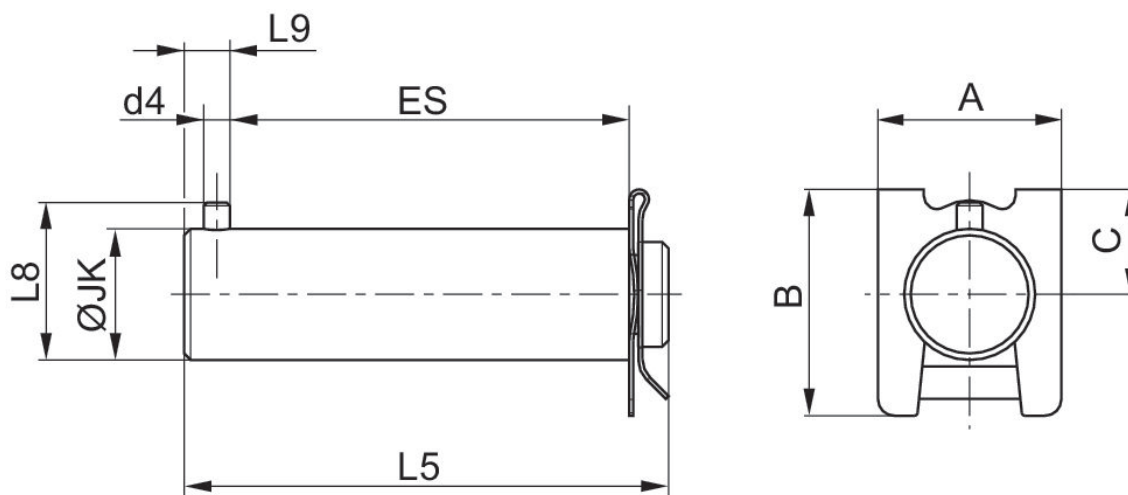


Ø del émbolo	N° de material	BT	BU	CG	CH	G f7
25	R422003612	41	47	7.6	1.1	8
32	R422003613	46	53	7.6	1.1	8
40	R422003614	53	60	11.5	1.1	12
50	R422003615	66	73	11.5	1.1	12
63	R422003616	76	83	15.2	1.1	16
80	R422003617	96	103	15.2	1.1	16
100	R422003618	117	124	19	1.3	20
125	R422003619	142	149	19	1.3	20
160	R422003620	182	189	23.9	1.3	25
200	R422003621	222	229	23.9	1.3	25

Pernos con dispositivo antigiro AA6, serie CM1



Diámetro de émbolo [mm]	Normalización	Material	N° de material
32	ISO 15552	Acero inoxidable	5230000082
40		Acero inoxidable	5231000082
50		Acero inoxidable	5232000082
63		Acero inoxidable	5233000082
80		Acero inoxidable	5234000082
100	ISO 15552	Acero inoxidable	5235000082



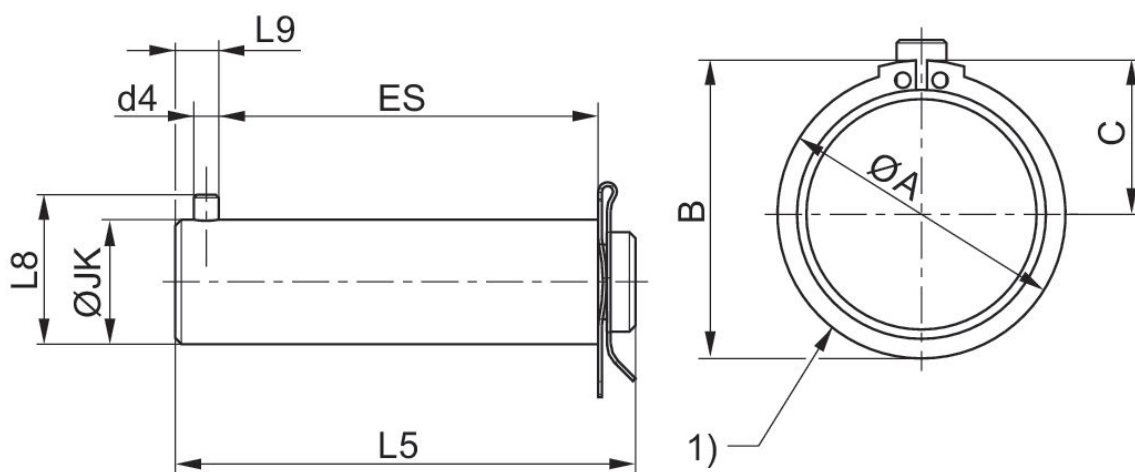
1) anillo de seguridad DIN 471

Ø del émbolo	N° de material	A	B	C	Ø d4 H12	JK h9	ES	L5	L8	L9
32	5230000082	18	22	10	3	10	31	41	14	5.5
40	5231000082	22	26	12	4	12	36	48	16	7
50	5232000082	28	34.5	16	4	16	41	54	20	7
63	5233000082	28	34.5	16	4	16	47	60	20	7
80	5234000082	28	34.5	16	4	20	63	74	24	5
100	5235000082	28	34.5	16	4	20	71	84	24	7

Pernos con dispositivo antigiro AA6, serie CM1



Diámetro de émbolo [mm]	Normalización	Material	N° de material
125	ISO 15552	Acero inoxidable	5236000082
160, 200	ISO 15552	Acero inoxidable	5237000082



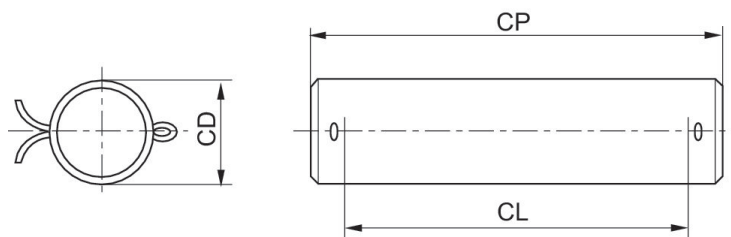
Ø del émbolo	N° de material	A	B	C	Ø d4 H12	JK h9	ES	L5	L8	L9
125	5236000082	36	37.5	19.5	6	30	88	106	36	13
160, 200	5237000082	41.5	43	22.5	6	35	113	131	41	13

Tornillo



Diámetro de émbolo [mm]	Material	N° de material
152.4	Acero, cromado	R433012625
152.4	Acero, cromado	R433012627
38.1, 50.8, 63.5	Acero, cromado	R433012619
82.55, 101.6	Acero, cromado	R433012621
127, 152.4	Acero, cromado	R433012623

Dimensiones en pulgadas



Dimensiones en pulgadas

N° de material	CD	CL	CP
R433012619	0.5	1.88	2.09
R433012621	0.75	2.62	2.88
R433012623	1.00	3.12	3.38
R433012625	1.375	4.00	4.63
R433012627	1.750	5.00	5.63

Efficient pneumatic solutions, our program: cylinders and drives, valves and valve systems, air supply management



Visit us: [Emerson.com/Aventics](https://www.emerson.com/aventics)

Your local contact: [Emerson.com/contactus](https://www.emerson.com/contactus)



[Emerson.com](https://www.emerson.com)



[Facebook.com/EmersonAutomationSolutions](https://www.facebook.com/EmersonAutomationSolutions)



[LinkedIn.com/company/Emerson-Automation-Solutions](https://www.linkedin.com/company/Emerson-Automation-Solutions)



[Twitter.com/EMR_Automation](https://twitter.com/EMR_Automation)

An example configuration is depicted on the title page. The delivered product may thus vary from that in the illustration. Subject to change. This Document, as well as the data, specifications and other information set forth in it, are the exclusive property of AVENTICS GmbH. It may not be reproduced or given to third parties without its consent. Only use the AVENTICS products shown in industrial applications. Read the product documentation completely and carefully before using the product. Observe the applicable regulations and laws of the respective country. When integrating the product into applications, note the system manufacturer's specifications for safe use of the product. The data specified only serve to describe the product. No statements concerning a certain condition or suitability for a certain application can be derived from our information. The information given does not release the user from the obligation of own judgment and verification. It must be remembered that the products are subject to a natural process of wear and aging.

The Emerson logo is a trademark and service mark of Emerson Electric Co. Brand logotype are registered trademarks of one of the Emerson family of companies. All other marks are the property of their respective owners. © 2019 Emerson Electric Co. All rights reserved.



EMERSON™

CONSIDER IT SOLVED™