

轴承座



AVENTICS™

AVENTICS 轴承座



轴承支架



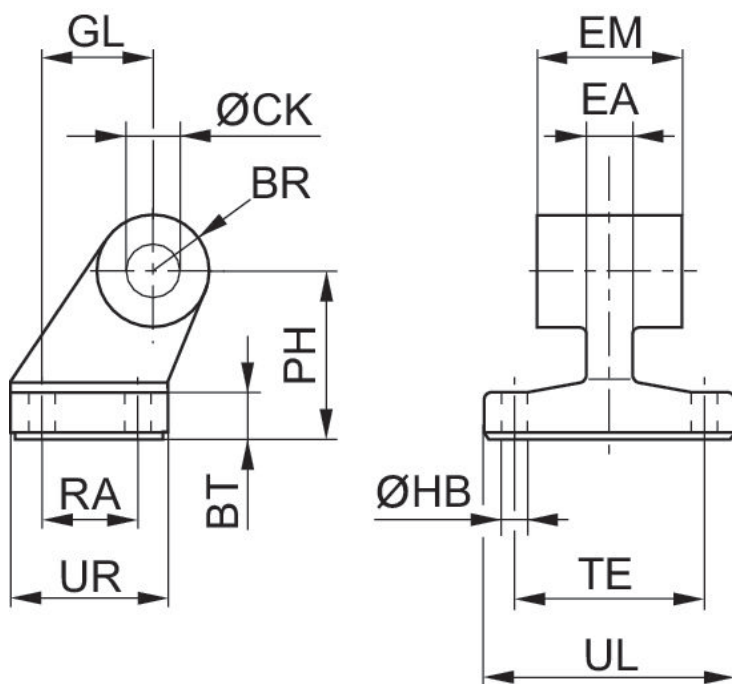
轴承座 AB7-BV, 系列 CM1

ISO 15552



活塞直径 [mm]	万向轴承-Ø [mm]	标准化	材料	物料号
32	10	ISO 15552	铝材-压铸件	R412027471
40	12	ISO 15552	铝材-压铸件	R412027472
50	12	ISO 15552	铝材-压铸件	R412027473
63	16	ISO 15552	铝材-压铸件	R412027474
80	16	ISO 15552	铝材-压铸件	R412027475
100	20	ISO 15552	铝材-压铸件	R412027476

规格



活塞- Ø	物料号	BR	BT	Ø CK H9	Ø HB H13	EM	GL JS14	EA 最大	PH JS15	RA JS14
32	R412027471	10	8	10	6.6	26	21	10	32	18
40	R412027472	11	10	12	6.6	28	24	15	36	22
50	R412027473	13	12	12	9	32	33	16	45	30

活塞- Ø	物料号	BR	BT	Ø CK H9	Ø HB H13	EM	GL JS14	EA 最大	PH JS15	RA JS14
63	R412027474	15	14	16	9	40	37	16	50	35
80	R412027475	15	14	16	11	50	47	20	63	40
100	R412027476	19	17	20	11	60	55	20	71	50

活塞- Ø	TE JS14	UL 最大	UR 最大
32	38	51	31
40	41	54	35
50	50	65	45
63	52	67	50
80	66	86	60
100	76	96	70

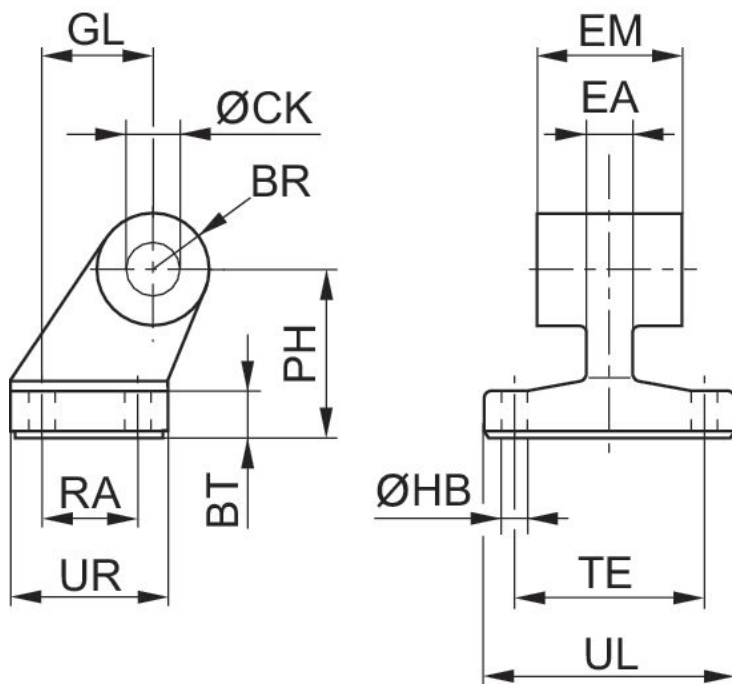
轴承座 AB7-HD, 系列 CM1

ISO 15552



活塞直径 [mm]	万向轴承-Ø [mm]	标准化	材料	物料号
32	10	ISO 15552	球状石墨铸铁	1825805275
40	12	ISO 15552	球状石墨铸铁	1825805276
50	12	ISO 15552	球状石墨铸铁	1825805277
63	16	ISO 15552	球状石墨铸铁	1825805278
80	16	ISO 15552	球状石墨铸铁	1825805279
100	20	ISO 15552	球状石墨铸铁	1825805280
125	25	ISO 15552	球状石墨铸铁	1825805281
160	30	ISO 15552	球状石墨铸铁	1825805282
200	30	ISO 15552	球状石墨铸铁	1825805283
250	40	ISO 15552	球状石墨铸铁	1825805284
320	45	ISO 15552	球状石墨铸铁	5239013422

规格



物料号	活塞-Ø	BR	BT	Ø CK H9	Ø HB H13	EM	GL JS14	EA 最大	PH JS15	RA JS14
1825805275	32	10	8	10	6.6	26 -0,2/-0,6	21	10	32	18
1825805276	40	11	10	12	6.6	28 -0,2/-0,6	24	12	36	22
1825805277	50	13	12	12	9	32 -0,2/-0,6	33	16	45	30
1825805278	63	15	12	16	9	40 -0,2/-0,6	37	16	50	35
1825805279	80	15	14	16	11	50 -0,2/-0,6	47	20	63	40
1825805280	100	19	15	20	11	60 -0,2/-0,6	55	20	71	50
1825805281	125	22,5	20	25	14	70 -0,5/-1,5	70	30	90	60
1825805282	160	31.5	25	30	14	90 -0,5/-1,5	97	36	115	88
1825805283	200	31.5	30	30	18	90 -0,5/-1,5	105	40	135	90
1825805284	250	40	35	40	22	110 -0,5/-1,5	128	45	165	110
5239013422	320	45	40	45	26	120 -0,5/-1,5	150	55	200	122

物料号	TE JS14	UL 最大	UR 最大
1825805275	38	51	31
1825805276	41	54	35
1825805277	50	65	45
1825805278	52	67	50
1825805279	66	86	60
1825805280	76	96	70
1825805281	94	124	90
1825805282	118	156	126
1825805283	122	162	130
1825805284	150	200	160
5239013422	170	234	186

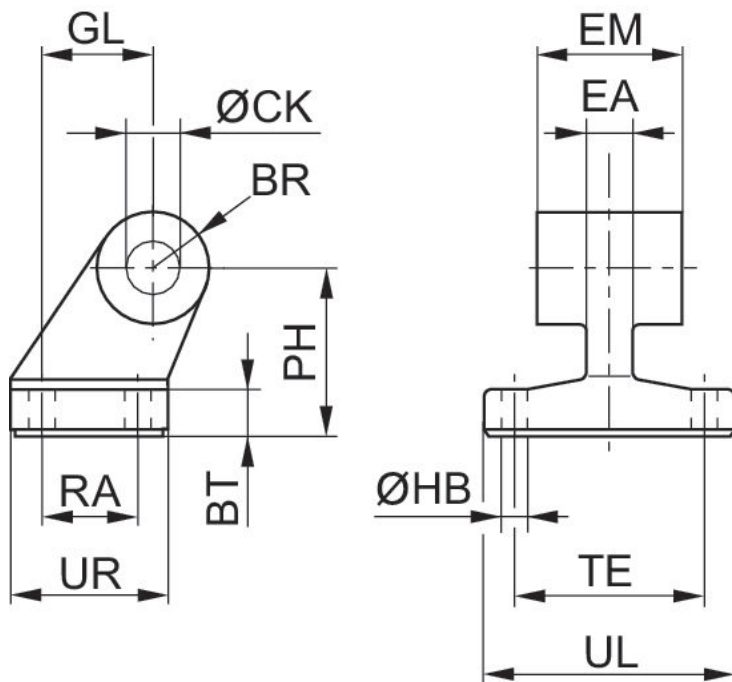
轴承座 AB7-HD, 系列 CM1

ISO 15552



活塞直径 [mm]	万向轴承-Ø [mm]	标准化	材料	物料号
32	10	ISO 15552	不锈钢	R412027820
40	12	ISO 15552	不锈钢	R412027821
50	12	ISO 15552	不锈钢	R412027822
63	16	ISO 15552	不锈钢	R412027823
80	16	ISO 15552	不锈钢	R412027824
100	20	ISO 15552	不锈钢	R412027825
125	25	ISO 15552	不锈钢	R412027826

规格



活塞- Ø	物料号	BR	BT	Ø CK	Ø HB	EM	GL	EA	PH	RA
32	R412027820	10	8	10	6,6	26	21	10	32	18
40	R412027821	11	10	12	6,6	28	24	12	36	22

活塞- Ø	物料号	BR	BT	Ø CK	Ø HB	EM	GL	EA	PH	RA
50	R412027822	13	12	12	9	32	33	16	45	30
63	R412027823	15	12	16	9	40	37	16	50	35
80	R412027824	15	14	16	11	50	47	20	63	40
100	R412027825	19	15	20	11	60	55	20	71	50
125	R412027826	22,5	20	25	14	70	70	30	90	60

活塞- Ø	TE	UL	UR
32	38	51	31
40	41	54	35
50	50	65	45
63	52	67	50
80	66	86	60
100	76	96	70
125	94	124	90

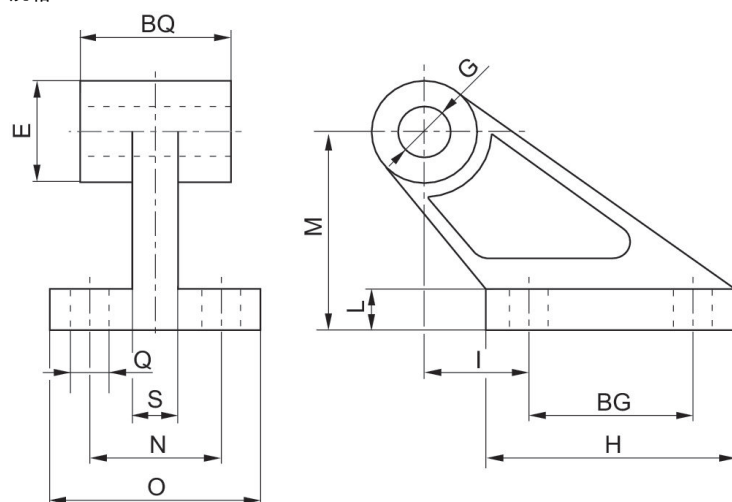
轴承座, 系列 AB7

CNOMO / NFE 49-001



活塞直径 [mm]	万向轴承-Ø [mm]	标准化	材料	物料号
25, 32	10	CNOMO / NFE 49-001	铝材	R422003602
40, 50	10	CNOMO / NFE 49-001	铝材	R422003603
63, 80	10	CNOMO / NFE 49-001	铝材	R422003604
100, 125	10	CNOMO / NFE 49-001	铝材	R422003605
160, 200	10	CNOMO / NFE 49-001	铝材	R422003606

规格



活塞- Ø	物料号	BG	BQ	G H9	H	I	L	M	N	O
25, 32	R422003602	20	20	8	37	18	8	32	25	41
40, 50	R422003603	32	32	12	54	25	10	45	32	52
63, 80	R422003604	50	50	16	75	32	13	63	40	63
100, 125	R422003605	70	70	20	103	40	17	90	50	80
160, 200	R422003606	110	110	25	154	50	20	140	63	111

活塞- Ø	QH13	R 最大	S
25, 32	7	19.5	9
40, 50	9	26	14
63, 80	11	32	14

活塞- Ø	Q H13	R 最大	S
100, 125	14	42	22
160, 200	18	54	26

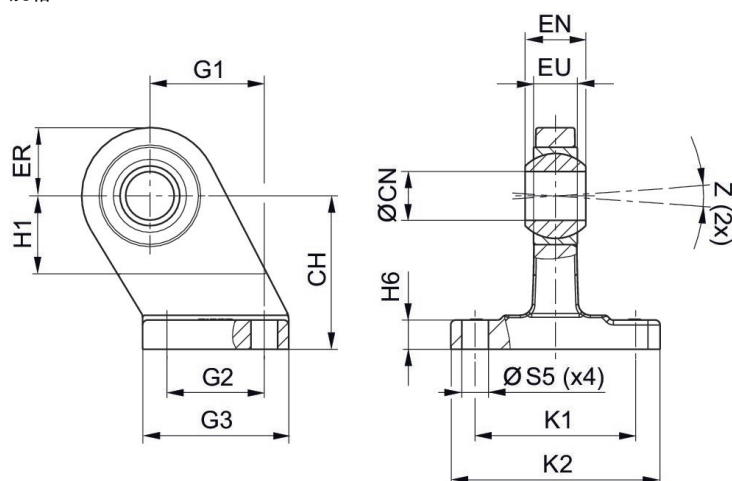
轴承座 CS7, 系列 CM1

VDMA 24562 章节2



活塞直径 [mm]	万向轴承-Ø [mm]	标准化	材料	物料号
32	10	VDMA 24562 章节2	球状石墨铸铁	1827001784
40	12	VDMA 24562 章节2	球状石墨铸铁	1827001785
50	16	VDMA 24562 章节2	球状石墨铸铁	1827001786
63	16	VDMA 24562 章节2	球状石墨铸铁	1827001787
80	20	VDMA 24562 章节2	球状石墨铸铁	1827001788
100	20	VDMA 24562 章节2	球状石墨铸铁	1827001789
125	30	VDMA 24562 章节2	球状石墨铸铁	1827001790
160	35	VDMA 24562 章节2	球状石墨铸铁	1827001791
200	35	VDMA 24562 章节2	球状石墨铸铁	1827001792
250	40	VDMA 24562 章节2	球状石墨铸铁	1827001793
320	40	VDMA 24562 章节2	球状石墨铸铁	5239013442

规格



活塞- Ø	物料号	CH JS15	ØCN H7	EU 最大	EN -1,0	ER 最大	G1 JS14	G2 JS14	G3 最大	H1 最小
32	1827001784	32	10	10.5	14	16	21	18	31	16
40	1827001785	36	12	12	16	18	24	22	35	20
50	1827001786	45	16	15	21	21	33	30	45	22

活塞- Ø	物料号	CH JS15	ØCN H7	EU 最大	EN -1,0	ER 最大	G1 JS14	G2 JS14	G3 最大	H1 最小
63	1827001787	50	16	15	21	23	37	35	50	27
80	1827001788	63	20	18	25	28	47	40	60	31
100	1827001789	71	20	18	25	30	55	50	70	38
125	1827001790	90	30	25	37	40	70	60	90	40
160	1827001791	115	35	28	43	44	97	88	126	45
200	1827001792	135	35	28	43	47	105	90	130	45
250	1827001793	165	40	33	49	53	128	110	160	50
320	5239013442	200	50	45	60	63	150	122	186	60

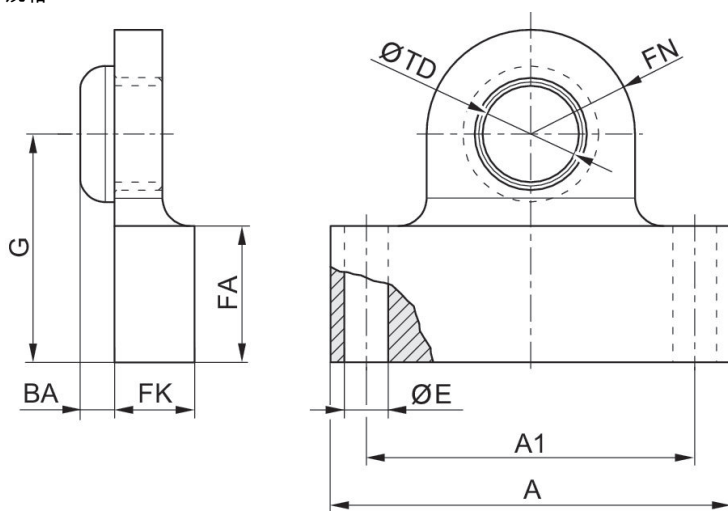
活塞- Ø	H6	K1 JS14	K2 最大	ØS5 H13	Z 最小
32	9 ±1	38	51	6.6	4°
40	9 ±1	41	54	6.6	4°
50	11 ±1	50	65	9	4°
63	11 ±1	52	67	9	4°
80	12 ±1,5	66	86	11	4°
100	13 ±1,5	76	96	11	4°
125	17 ±1,5	94	124	14	4°
160	22 ±1,5	118	156	14	4°
200	27 ±2	122	162	18	4°
250	31 ±2	150	200	22	4°
320	36 ±2	170	234	26	4°

轴承支架, 系列 ICS



活塞直径 [mm]	材料	物料号
32	不锈钢	2992112030
40	不锈钢	2992112040
50	不锈钢	2992112050
63	不锈钢	2992112060
80	不锈钢	2992112080
100	不锈钢	2992112100

规格



活塞- Ø	物料号	A	A1	BA	Ø E	FA	FK	FN	G	Ø TD h9
32	2992112030	50	41	4.25	5.5	17	10	13	28.5	12
40	2992112040	55	46	4.25	5.5	17	10	15.5	38	12
50	2992112050	64	53	5.25	6.5	18.5	12	17.5	38	16
63	2992112060	66	56	8.25	6.5	18.5	12	19	46.5	16
80	2992112080	82	72	8.25	6.5	18.5	12	26	50.5	16
100	2992112100	108	88	10.25	9	22	16	26	65	20

Efficient pneumatic solutions, our program: cylinders and drives, valves and valve systems, air supply management



Visit us: [Emerson.com/Aventics](https://www.emerson.com/Aventics)

Your local contact: [Emerson.com/contactus](https://www.emerson.com/contactus)



[Emerson.com](https://www.emerson.com)



[Facebook.com/EmersonAutomationSolutions](https://www.facebook.com/EmersonAutomationSolutions)



[LinkedIn.com/company/Emerson-Automation-Solutions](https://www.linkedin.com/company/Emerson-Automation-Solutions)



[Twitter.com/EMR_Automation](https://twitter.com/EMR_Automation)

An example configuration is depicted on the title page. The delivered product may thus vary from that in the illustration. Subject to change. This Document, as well as the data, specifications and other information set forth in it, are the exclusive property of AVENTICS GmbH. It may not be reproduced or given to third parties without its consent. Only use the AVENTICS products shown in industrial applications. Read the product documentation completely and carefully before using the product. Observe the applicable regulations and laws of the respective country. When integrating the product into applications, note the system manufacturer's specifications for safe use of the product. The data specified only serve to describe the product. No statements concerning a certain condition or suitability for a certain application can be derived from our information. The information given does not release the user from the obligation of own judgment and verification. It must be remembered that the products are subject to a natural process of wear and aging.

The Emerson logo is a trademark and service mark of Emerson Electric Co. Brand logotype are registered trademarks of one of the Emerson family of companies. All other marks are the property of their respective owners. © 2019 Emerson Electric Co. All rights reserved.



CONSIDER IT SOLVED™