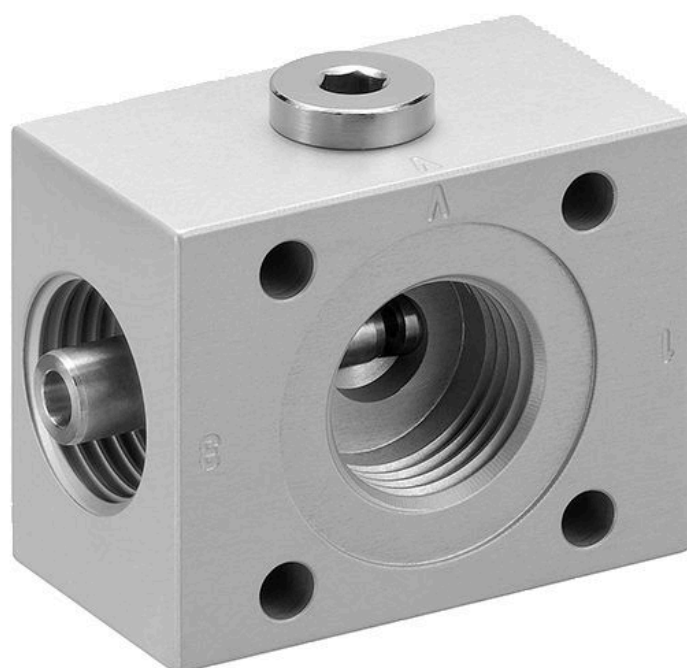


Série EBP



AVENTICS™

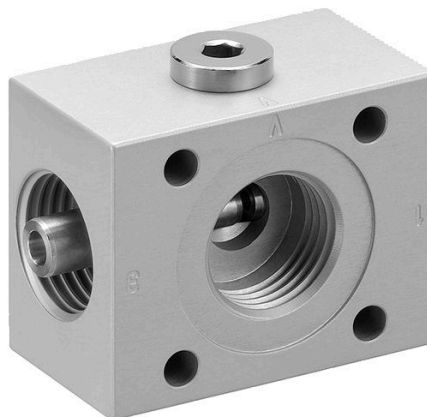
Éjecteurs AVENTICS série EBP


EMERSON™

Série EBP

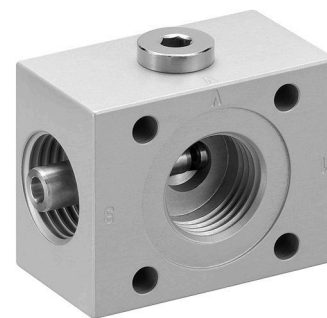
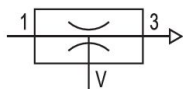
Les éjecteurs AVENTICS série EBP sont des éjecteurs à vide à étage simple à commande pneumatique. Les éjecteurs à vide EBP sont robustes, compacts, faciles à installer et silencieux.

- Commande pneumatique



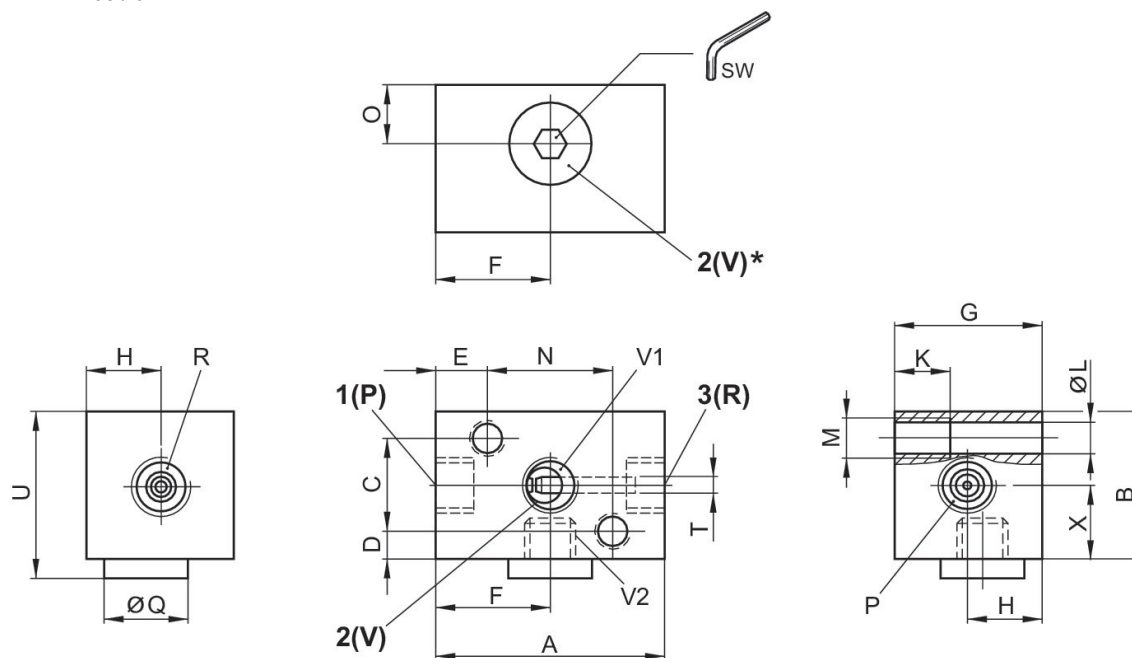
Série EBP

pneumatique



Commande	Ø Buses [mm]	Vide maxi avec p.opt [%]	Capacité d'aspiration maxi. [l/min]	Consommation d'air avec p. opt. [l/min]	Référence
pneumatique	0.5	82	6.4	15.5	7350150000
pneumatique	0.7	83	17	27	7350300000

EBP-PT-05 / 07



* Raccord d'air comprimé pour manostat

Référence	A	B	C	D	E	F	G	H	K	Ø L
7350150000	40	25	16	4.5	9	20	25	12.5	10	5.1
7350300000	50	25	16	4.5	12	23	25	12.5	10	5.1
7350600000	50	40	29	5.5	10.5	25	28	15.5	12	5.1
7351200000	50	40	29	5.5	10.5	25	28	15.5	12	5.1
7352400000	60	40	29	5.5	10.5	25	40	21.5	12	5.1
7354200000	60	40	29	5.5	10.5	25	40	21.5	12	5.1

Référence	M	N	O	P 1)	Ø Q	R	S	SW	ØT	U
7350150000	M6	22	10	G 1/8x8	14	G 1/8x8	—	5	5	28
7350300000	M6	22	10	G 1/8x8	14	G 1/8x8	—	5	—	28.5
7350600000	M6	29	14	G 1/4x10	14	G 3/8x9	—	5	8	43
7351200000	M6	29	14	G 1/4x10	14	—	52.5	5	8	43
7352400000	M6	29	21.5	G 1/4x10	14	G 1x12	—	5	—	43
7354200000	M6	29	21.5	G 1/4x10	14	G 1x12	—	5	—	43

Référence	V1 2)	V2 3)	X
7350150000	G 1/8x8	G 1/8x7	12,5
7350300000	G 1/8x8	G 1/8x7	12,5
7350600000	G 1/2x9	G 1/8x8	20
7351200000	G 1/2x9	G 1/8x8	20
7352400000	G 1/2x9	G 1/8x8	20
7354200000	G 1/2x9	G 1/8x8	20

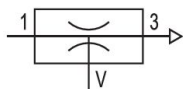
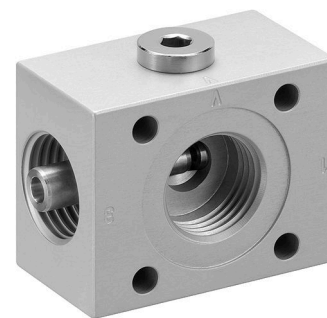
1) Admission

2) Raccord d'aspiration

3) Raccord variable pour technique du vide

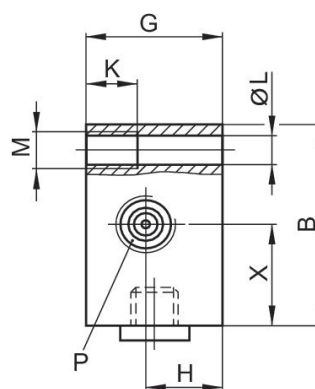
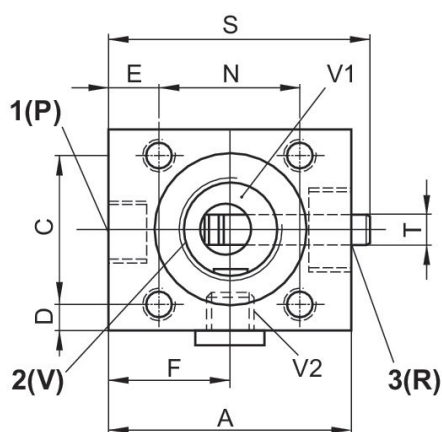
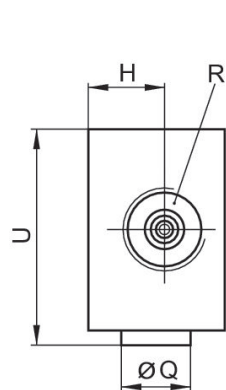
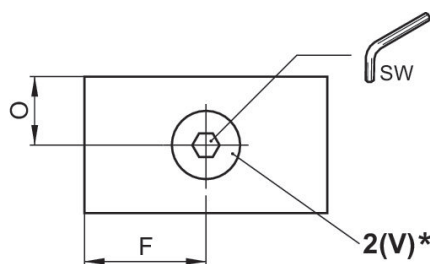
Série EBP

pneumatique



Commande	Ø Buses [mm]	Vide maxi avec p.opt [%]	Capacité d'aspiration maxi. [l/min]	Consommation d'air avec p. opt. [l/min]	Référence
pneumatique	1	89	40	60	7350600000
pneumatique	1.5	87	70	120	7351200000
pneumatique	2.1	90	125	225	7352400000
pneumatique	3	90	240	420	7354200000

EBP-PT-10 .../ -30



* Raccord d'air comprimé pour manostat

Référence	A	B	C	D	E	F	G	H	K	Ø L
7350150000	40	25	16	4.5	9	20	25	12.5	10	5.1
7350300000	50	25	16	4.5	12	23	25	12.5	10	5.1

Référence	A	B	C	D	E	F	G	H	K	Ø L
7350600000	50	40	29	5.5	10.5	25	28	15.5	12	5.1
7351200000	50	40	29	5.5	10.5	25	28	15.5	12	5.1
7352400000	60	40	29	5.5	10.5	25	40	21.5	12	5.1
7354200000	60	40	29	5.5	10.5	25	40	21.5	12	5.1

Référence	M	N	O	P 1)	Ø Q	R	S	SW	Ø T	U
7350150000	M6	22	10	G 1/8x8	14	G 1/8x8	—	5	5	28
7350300000	M6	22	10	G 1/8x8	14	G 1/8x8	—	5	—	28.5
7350600000	M6	29	14	G 1/4x10	14	G 3/8x9	—	5	8	43
7351200000	M6	29	14	G 1/4x10	14	—	52.5	5	8	43
7352400000	M6	29	21.5	G 1/4x10	14	G 1x12	—	5	—	43
7354200000	M6	29	21.5	G 1/4x10	14	G 1x12	—	5	—	43

Référence	V1 2)	V2 3)	X
7350150000	G 1/8x8	G 1/8x7	12,5
7350300000	G 1/8x8	G 1/8x7	12,5
7350600000	G 1/2x9	G 1/8x8	20
7351200000	G 1/2x9	G 1/8x8	20
7352400000	G 1/2x9	G 1/8x8	20
7354200000	G 1/2x9	G 1/8x8	20

1) Admission

2) Raccord d'aspiration

3) Raccord variable pour technique du vide

Efficient pneumatic solutions, our program: cylinders and drives, valves and valve systems, air supply management



Visit us: [Emerson.com/Aventics](https://www.emerson.com/aventics)

Your local contact: [Emerson.com/contactus](https://www.emerson.com/contactus)



[Emerson.com](https://www.emerson.com)



[Facebook.com/EmersonAutomationSolutions](https://www.facebook.com/EmersonAutomationSolutions)



[LinkedIn.com/company/Emerson-Automation-Solutions](https://www.linkedin.com/company/Emerson-Automation-Solutions)



[Twitter.com/EMR_Automation](https://twitter.com/EMR_Automation)

An example configuration is depicted on the title page. The delivered product may thus vary from that in the illustration. Subject to change. This Document, as well as the data, specifications and other information set forth in it, are the exclusive property of AVENTICS GmbH. It may not be reproduced or given to third parties without its consent. Only use the AVENTICS products shown in industrial applications. Read the product documentation completely and carefully before using the product. Observe the applicable regulations and laws of the respective country. When integrating the product into applications, note the system manufacturer's specifications for safe use of the product. The data specified only serve to describe the product. No statements concerning a certain condition or suitability for a certain application can be derived from our information. The information given does not release the user from the obligation of own judgment and verification. It must be remembered that the products are subject to a natural process of wear and aging.

The Emerson logo is a trademark and service mark of Emerson Electric Co. Brand logotype are registered trademarks of one of the Emerson family of companies. All other marks are the property of their respective owners. © 2019 Emerson Electric Co. All rights reserved.



CONSIDER IT SOLVED™