

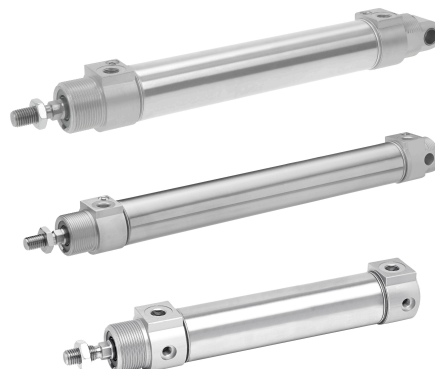
Series RPC



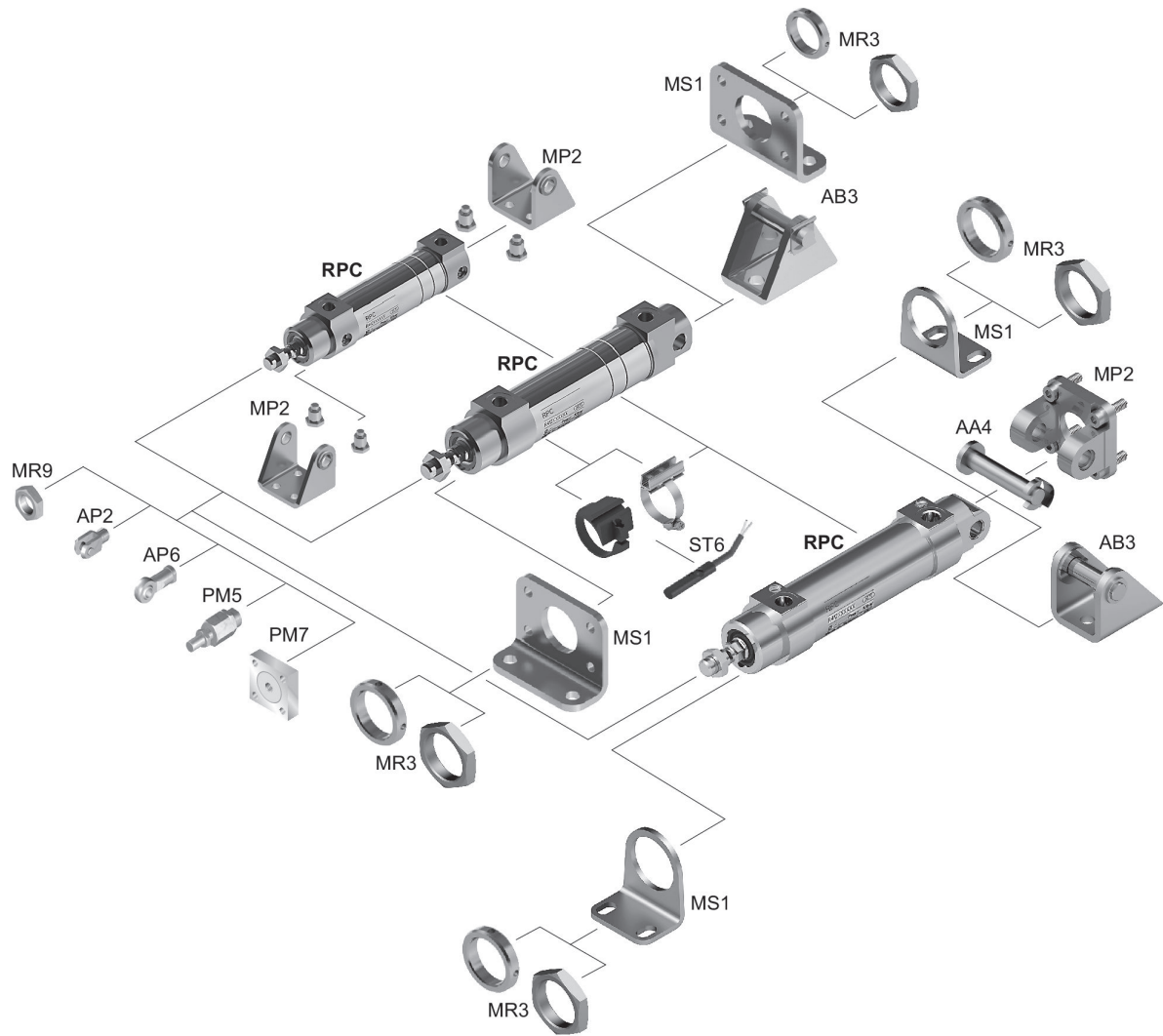
Series RPC

The AVENTICS Series RPC round profile cylinders offer a wide variety of connection options. They are easy to clean and suitable for packaging applications in the food industry due to food grade lubricants. The Series RPC can also be used in standard applications across machine automation needs.

- Compact and space-saving design
- Shorter than cylinders acc. to ISO 15552
- Short variant without bottom thread for even more compact requirements available
- Corrosion-resistant materials: Tube and piston rod made of stainless steel and covers made of galvanized steel
- Three different designs (standard, compact, mini) in piston diameters from 32 mm to 63 mm available in the online-configurator



Overview drawing



Product overview

	Page
Metric	
Round cylinder, Series RPC.....	6
Version: ISO-type - single - Piston with magnet - elastic cushioning - External thread	
Round cylinder, Series RPC.....	8
Version: ISO-type - single - Piston with magnet - Pneumatic adjustable cushioning - External thread	
Round cylinder, Series RPC.....	10
Version: standard type - single - Piston with magnet - Pneumatic adjustable cushioning - External thread	
Round cylinder, Series RPC.....	12
Version: Standard type, heat-resistant - single - Piston with magnet - Pneumatic adjustable cushioning - External thread	
Round cylinder, Series RPC.....	14
Version: compact type - single - Piston with magnet - elastic cushioning - External thread	
Round cylinder, Series RPC.....	16
Version: short type - single - Piston with magnet - elastic cushioning - External thread	
Accessories overview Cylinder mountings	
Clevis mounting AB3, Series CM1.....	18
Version: ISO-type	
Clevis mounting AB3, Series CM1.....	20
Clevis mounting MP2-HD, Series CM1.....	22
Suitable for robust mechanical engineering applications - ISO 15552	
Trunnion mounting MP2, Series CM1.....	24
Foot mountings for cylinders Series RPC.....	26
Version: ISO-type	
Foot mountings for cylinders Series RPC.....	28
Version: standard/compact/short type	
Round nut with set pin hole inside MR3, series CM1.....	30
for cylinder mounting	
Nut MR3, series CM1.....	31
for cylinder mounting	
Accessories overview Piston rod mountings	
Flexible spherical coupling, Series PM5.....	33
to mount on cylinder PRA, TRB, CCL-IS/-IC, CCI, SSI, MNI, KPZ, KHZ, 167, CVI, RPC, RDC, ITS	
Flexible plate coupling, Series PM7.....	35
to mount on cylinder PRA, TRB, CCL-IS/-IC, CCI, SSI, KPZ, 167, CVI, RPC, ITS with plate	
Rod clevis with lock washer, Series AP2, Galvanized Steel.....	37
to mount on cylinder PRA, TRB, CCI, MNI, ICM, KPZ, KHZ, 167, CVI, RPC, RDC, ITS	
Ball eye rod end AP6, galvanized Steel.....	39
to mount on cylinder PRA, TRB, CCI, SSI, MNI, RPC, KPZ, 167, CVI, RDC, 102, ITS with flange	
Piston rod nut MR9.....	42
Sensors and sensor mountings, accessories	
Sensor, Series SN2, Plug M8.....	45
Sensor, Series SN2, Plug M8, 4-pin.....	47
Sensors, Series ST6, open cable ends, 2-pin, Reed.....	49
6 mm T-slot - to mount on cylinder TRB, ITS, 167, C12P, CCL-IS/-IC, MNI, CSL-RD, KHZ, ICM, RPC, ICS, TRR	

Product overview

	Page
Sensors, Series ST6, open cable ends, 3-pin, NPN..... 6 mm T-slot - to mount on cylinder TRB, ITS, 167, C12P, CCL-IS/-IC, MNI, CSL-RD, KHZ, ICM, RPC, ICS, TRR	50
Sensors, Series ST6, open cable ends, 3-pin, PNP..... 6 mm T-slot - to mount on cylinder TRB, ITS, 167, C12P, CCL-IS/-IC, MNI, CSL-RD, KHZ, ICM, RPC, ICS, TRR	51
Sensors, Series ST6, open cable ends, 3-pin, Reed..... 6 mm T-slot - to mount on cylinder TRB, ITS, 167, C12P, CCL-IS/-IC, MNI, CSL-RD, KHZ, ICM, RPC, ICS, TRR	53
Sensors, Series ST6, plug M8..... 6 mm T-slot - to mount on cylinder TRB, ITS, 167, C12P, CCL-IS/-IC, MNI, CSL-RD, KHZ, ICM, RPC, ICS, TRR	55
Sensors, Series ST6, plug M8x1, with knurled screw..... 6 mm T-slot - to mount on cylinder TRB, ITS, 167, C12P, CCL-IS/-IC, MNI, CSL-RD, KHZ, ICM, RPC, ICS, TRR	57
Sensors, Series ST6, plug M12x1..... 6 mm T-slot - to mount on cylinder TRB, ITS, 167, C12P, CCL-IS/-IC, MNI, CSL-RD, KHZ, ICM, RPC, ICS, TRR	60
Sensors, Series ST6, plug M8x1, ATEX..... 6 mm T-slot - to mount on cylinder TRB, ITS, 167, C12P, CCL-IS/-IC, MNI, CSL-RD, KHZ, ICM, RPC, ICS, TRR	62
Sensors, Series ST6, plug M12x1, with knurled screw, ATEX..... 6 mm T-slot - to mount on cylinder TRB, ITS, 167, C12P, CCL-IS/-IC, MNI, CSL-RD, KHZ, ICM, RPC, ICS, TRR	64
Sensors, Series ST6, open cable ends, 3-pin, PNP, ATEX..... 6 mm T-slot	66
Sensor mounting..... SN2	67
Sensor mounting, Series CB1..... ST6	68
Sensor mounting, Series CB1..... ST6	70
Accessories overview Electrical accessories	
Round plug connector, Series CON-RD..... Socket - M8x1 - 3-pin - angled - open cable ends - 3-pin	71
Round plug connector, Series CON-RD..... Socket - M8x1 - 3-pin - straight - open cable ends - 3-pin	73
Round plug connector, Series CON-RD..... Socket - M8x1 - 3-pin - angled - Soldering	75
Round plug connector, Series CON-RD..... Socket - M8x1 - 3-pin - straight - Soldering	76
Round plug connector, Series CON-RD..... Snap-in plug Ø8 , 3-pin - Socket - Snap Ø8 - 3-pin - straight - without wire end ferrule, tin-plated - 3-pin	77
Accessories overview Silencer	
Silencers, series SI1, Sintered bronze.....	78
Silencers, series SI1, Sintered bronze.....	81

Round cylinder, Series RPC

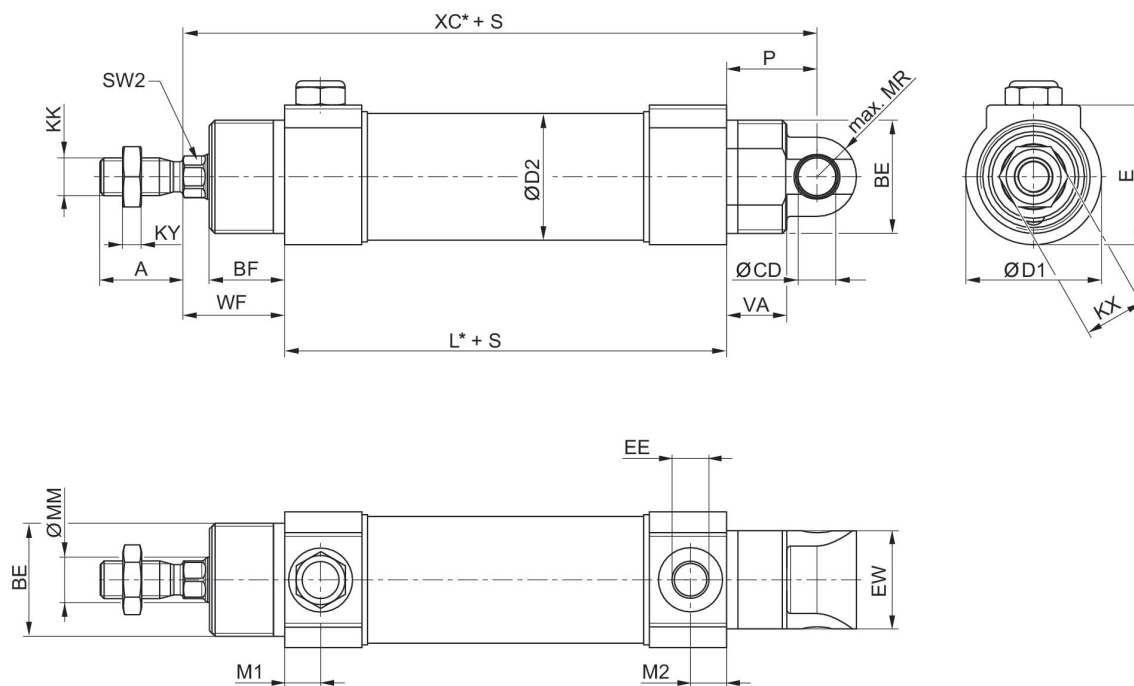
: Version: ISO-type
 Standards: ISO 6431
 : Single-acting, retracted without pressure
 : Piston with magnet
 : elastic cushioning
 : with integrated rear eye
 Piston rod: External thread
 Compressed air connection: Internal thread
 Ambient temperature min./max.: -20 °C ... 80 °C
 Medium temperature min./max.: -20 °C ... 80 °C
 Working pressure min./max.: 2 bar ... 10 bar



Piston Ø	32 mm	40 mm	50 mm	63 mm
Piston rod thread	M10x1,25	M12x1,25	M16x1,5	M16x1,5
Ports	G 1/8	G 1/4	G 1/4	G 3/8
Piston rod Ø	12 mm	16 mm	20 mm	20 mm
Stroke 10	R481609463	R481609467	R481609471	R481609475
25	R481609464	R481609468	R481609472	R481609476
40	R481609465	R481609469	R481609473	R481609477
50	R481609466	R481609470	R481609474	R481609478

Piston Ø	32 mm	40 mm	50 mm	63 mm
Retracting piston force	437 N	675 N	1077 N	1802 N
Extracting piston force	470 N	730 N	1135 N	1860 N
Weight 0 mm stroke	0.37 kg	0.67 kg	1.07 kg	1.96 kg
Weight 10 mm stroke	0.015 kg	0.024 kg	0.04 kg	0.044 kg

Dimensions



S = stroke

Piston Ø	A	BE	BF	Ø CD H9	Ø D1	Ø D2	E	EE	EW
32	22	M30x1,5	20	10	36	33,6	37	G 1/8	26
40	24	M38x1,5	23	12	45	41,6	45	G 1/4	28
50	32	M45x1,5	24	12	55	52,4	55	G 1/4	32
63	32	M45x1,5	26.5	16	69	65,4	69	G 3/8	40

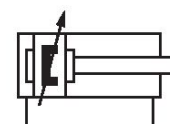
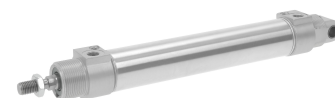
Piston Ø	KK	KX	KY	L *	Ø MM	M1	M2	MR	P
32	M10x1,25	16	5	92	12	9,5	9,5	10,5	24
40	M12x1,25	18	6	107	16	11,5	11,5	13	21
50	M16x1,5	24	8	110	20	11,5	11,5	13	25
63	M16x1,5	24	8	125	20	13,5	13,5	17	31

Piston Ø	SW2	VA	WF	XC *
32	10	16	27	143
40	13	19	32	160
50	17	18,5	35	170
63	17	23	35	191

* for stroke 26-50 mm, length dimensions XC and L are 25 mm longer

Round cylinder, Series RPC

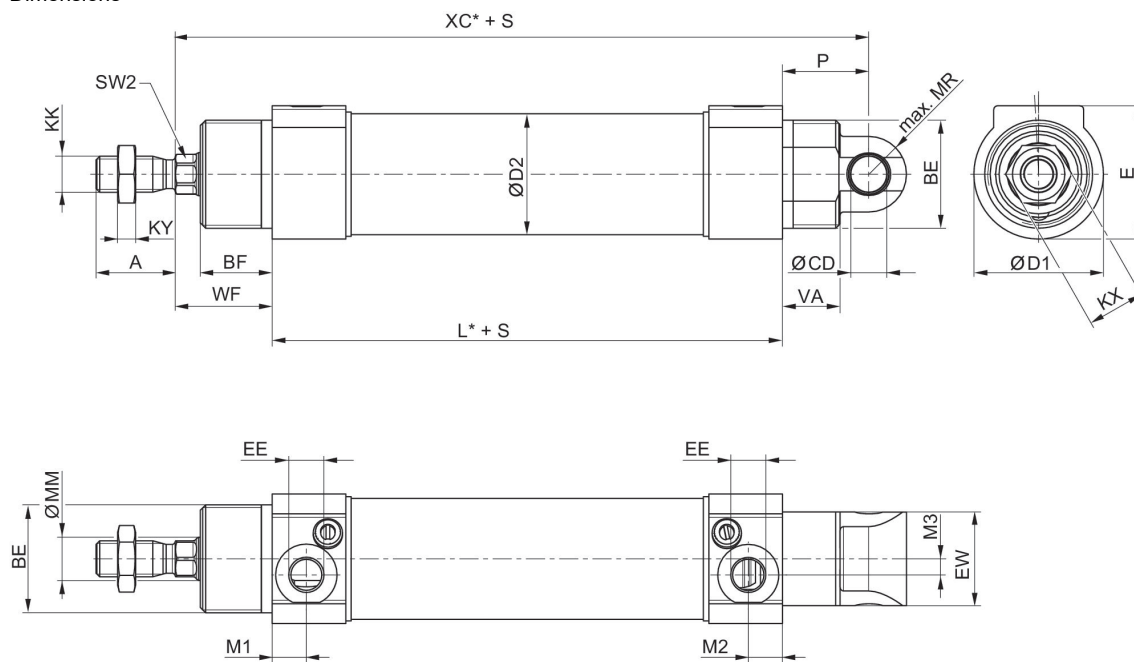
: Version: ISO-type
 Standards: ISO 6431
 : Double-acting
 : Piston with magnet
 : Pneumatic adjustable cushioning
 : with integrated rear eye
 Piston rod: External thread
 Compressed air connection: Internal thread
 : ATEX optional
 Ambient temperature min./max.: -20 °C ... 80 °C
 Medium temperature min./max.: -20 °C ... 80 °C
 Working pressure min./max.: 1 bar ... 10 bar



Piston Ø	32 mm	40 mm	50 mm	63 mm
Piston rod thread	M10x1,25	M12x1,25	M16x1,5	M16x1,5
Ports	G 1/8	G 1/4	G 1/4	G 3/8
Piston rod Ø	10 mm	12 mm	16 mm	16 mm
Stroke 25	R481609419	R481609430	R481609441	R481609452
50	R481609420	R481609431	R481609442	R481609453
80	R481609421	R481609432	R481609443	R481609454
100	R481609422	R481609433	R481609444	R481609455
125	R481609423	R481609434	R481609445	R481609456
160	R481609424	R481609435	R481609446	R481609457
200	R481609425	R481609436	R481609447	R481609458
250	R481609426	R481609437	R481609448	R481609459
320	R481609427	R481609438	R481609449	R481609460
400	R481609428	R481609439	R481609450	R481609461
500	R481609429	R481609440	R481609451	R481609462

Piston Ø	32 mm	40 mm	50 mm	63 mm
Retracting piston force	435 N	660 N	1035 N	1765 N
Extracting piston force	505 N	790 N	1235 N	1960 N
Cushioning energy	4.8 J	9 J	15 J	27 J
Cushioning length	16.5 mm	19 mm	17 mm	16.5 mm
Weight 0 mm stroke	0.34 kg	0.58 kg	0.96 kg	1.3 kg
Weight 10 mm stroke	0.015 kg	0.024 kg	0.04 kg	0.044 kg

Dimensions



S = stroke

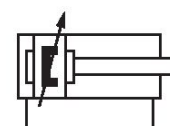
Piston Ø	A	BE	BF	Ø CD H8	Ø D1	Ø D2	E	EE	EW
32	22	M30x1,5	20	10	36	33,6	37	G 1/8	26
40	24	M38x1,5	23	12	45	41,6	45	G 1/4	28
50	32	M45x1,5	24	12	55	52,4	55	G 1/4	32
63	32	M45x1,5	26,5	16	69	65,4	69	G 3/8	40

Piston Ø	KK	KX	KY	L	Ø MM	M1	M2	M3	MR
32	M10x1,25	16	5	92	12	9,5	9,5	4,5	10,5
40	M12x1,25	18	6	107	16	11,5	11,5	5	13
50	M16x1,5	24	8	110	20	11,5	11,5	5	13
63	M16x1,5	24	8	125	20	13	13,5	5	17

Piston Ø	P	SW2	VA	WF	XC
32	24	10	16	27	143
40	21	13	19	32	160
50	25	17	18,5	35	170
63	31	17	23	35	191

Round cylinder, Series RPC

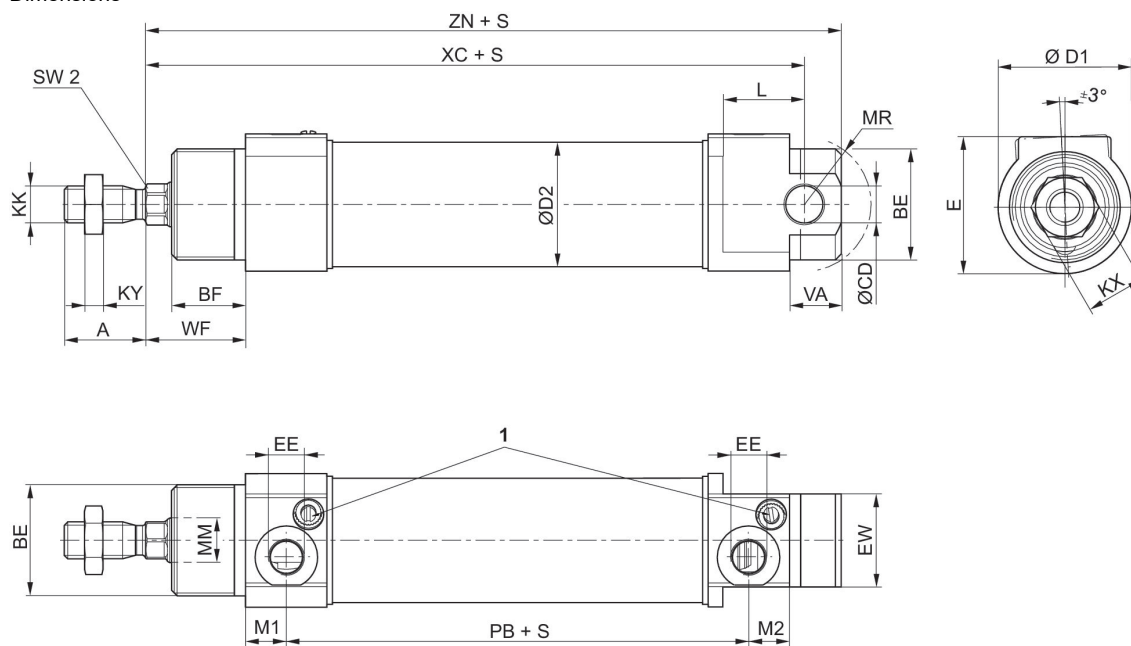
: Version: standard type
 : Double-acting
 : Piston with magnet
 : Pneumatic adjustable cushioning
 : with integrated rear eye
 Piston rod: External thread
 Compressed air connection: Internal thread
 : ATEX optional
 Ambient temperature min./max.: -20 °C ... 80 °C
 Medium temperature min./max.: -20 °C ... 80 °C
 Working pressure min./max.: 1 bar ... 10 bar



Piston Ø	32 mm	40 mm	50 mm	63 mm
Piston rod thread	M10x1,25	M12x1,25	M16x1,5	M16x1,5
Ports	G 1/8	G 1/4	G 1/4	G 3/8
Piston rod Ø	12 mm	16 mm	20 mm	20 mm
Stroke 25	R412020728	R412020739	R412020750	R412020761
50	R412020729	R412020740	R412020751	R412020762
80	R412020730	R412020741	R412020752	R412020763
100	R412020731	R412020742	R412020753	R412020764
125	R412020732	R412020743	R412020754	R412020765
160	R412020733	R412020744	R412020755	R412020766
200	R412020734	R412020745	R412020756	R412020767
250	R412020735	R412020746	R412020757	R412020768
320	R412020736	R412020747	R412020758	R412020769
400	R412020737	R412020748	R412020759	R412020770
500	R412020738	R412020749	R412020760	R412020771

Piston Ø	32 mm	40 mm	50 mm	63 mm
Retracting piston force	435 N	660 N	1035 N	1765 N
Extracting piston force	505 N	790 N	1235 N	1960 N
Cushioning energy	4.8 J	9 J	15 J	27 J
Cushioning length	16.5 mm	19 mm	17 mm	16.5 mm
Weight 0 mm stroke	0.34 kg	0.58 kg	0.96 kg	1.3 kg
Weight 10 mm stroke	0.015 kg	0.024 kg	0.04 kg	0.044 kg

Dimensions



S=stroke

1) Slot in throttle screw 1 mm

Piston Ø	A	BE	BF	Ø CD H8	Ø D1	Ø D2	E	EE	EW
32	22	M30x1,5	20	10	36	33.5	37	G 1/8	25
40	24	M38x1.5	23	12	45	41.5	45	G 1/4	30
50	32	M45x1,5	24	12	55	52.5	55	G 1/4	35
63	32	M45x1,5	26.5	16	69	65.4	69	G 3/8	35

Piston Ø	KK	KX	KY	L min.	Ø MM f8	M1	M2	MR	PB
32	M10x1,25*	16	5	22	12	11	11	18	75
40	M12x1,25*	19	6	23	16	11.5	11.5	22.5	87
50	M16x1,5	24	8	26	20	11.5	11.5	25.5	87.5
63	M16x1,5	24	8	29	20	13	13.5	36.5	92

Piston Ø	SW2	VA	WF	XC	ZN
32	10	14	27	128	138
40	13	15	32	146	157
50	17	18	33.5	151	162
63	17	20	36.5	161	175

Round cylinder, Series RPC

: Version: Standard type, heat-resistant

: Double-acting

: Piston with magnet

: Pneumatic adjustable cushioning

: with integrated rear eye

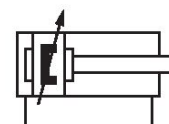
Piston rod: External thread

Compressed air connection: Internal thread

Ambient temperature min./max.: -10 °C ... 150 °C

Medium temperature min./max.: -10 °C ... 150 °C

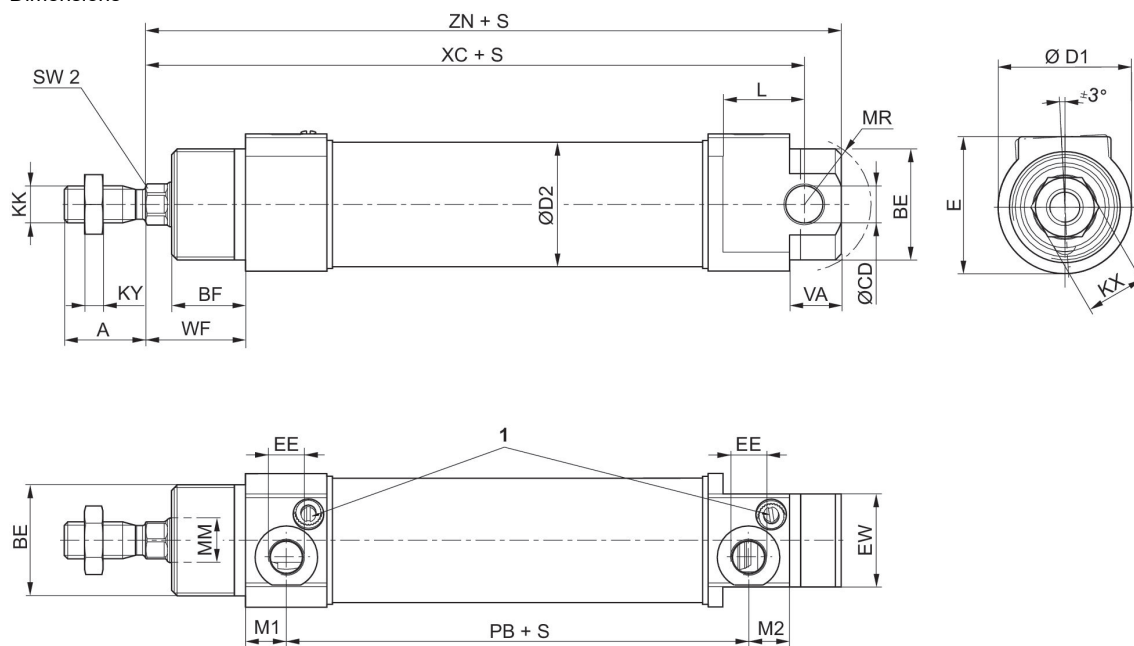
Working pressure min./max.: 1 bar ... 10 bar



Piston Ø	32 mm	40 mm	50 mm	63 mm
Piston rod thread	M10x1,25	M12x1,25	M16x1,5	M16x1,5
Ports	G 1/8	G 1/4	G 1/4	G 3/8
Piston rod Ø	12 mm	16 mm	20 mm	20 mm
Stroke 25	R412020772	R412020783	R412020794	R412020805
50	R412020773	R412020784	R412020795	R412020806
80	R412020774	R412020785	R412020796	R412020807
100	R412020775	R412020786	R412020797	R412020808
125	R412020776	R412020787	R412020798	R412020809
160	R412020777	R412020788	R412020799	R412020810
200	R412020778	R412020789	R412020800	R412020811
250	R412020779	R412020790	R412020801	R412020812
320	R412020780	R412020791	R412020802	R412020813
400	R412020781	R412020792	R412020803	R412020814
500	R412020782	R412020793	R412020804	R412020815

Piston Ø	32 mm	40 mm	50 mm	63 mm
Retracting piston force	435 N	660 N	1035 N	1765 N
Extracting piston force	505 N	790 N	1235 N	1960 N
Cushioning energy	4.8 J	9 J	15 J	27 J
Cushioning length	16.5 mm	19 mm	17 mm	16.5 mm
Weight 0 mm stroke	0.37 kg	0.66 kg	1.38 kg	1.4 kg
Weight 10 mm stroke	0.015 kg	0.024 kg	0.04 kg	0.044 kg

Dimensions



S=stroke

1) Slot in throttle screw 1 mm

Piston Ø	A	BE	BF	Ø CD H8	Ø D1	Ø D2	E	EE	EW
32	22	M30x1,5	20	10	36	33.5	37	G 1/8	25
40	24	M38x1.5	23	12	45	41.5	45	G 1/4	30
50	32	M45x1,5	24	12	55	52.5	55	G 1/4	35
63	32	M45x1,5	26.5	16	69	65.4	69	G 3/8	35

Piston Ø	KK	KX	KY	L min.	Ø MM f8	M1	M2	MR	PB
32	M10x1,25*	16	5	22	12	11	11	18	75
40	M12x1,25*	19	6	23	16	11.5	11.5	22.5	87
50	M16x1,5	24	8	26	20	11.5	11.5	25.5	87.5
63	M16x1,5	24	8	29	20	13	13.5	36.5	92

Piston Ø	SW2	VA	WF	XC	ZN
32	10	14	27	128	138
40	13	15	32	146	157
50	17	18	33.5	151	162
63	17	20	36.5	161	175

Round cylinder, Series RPC

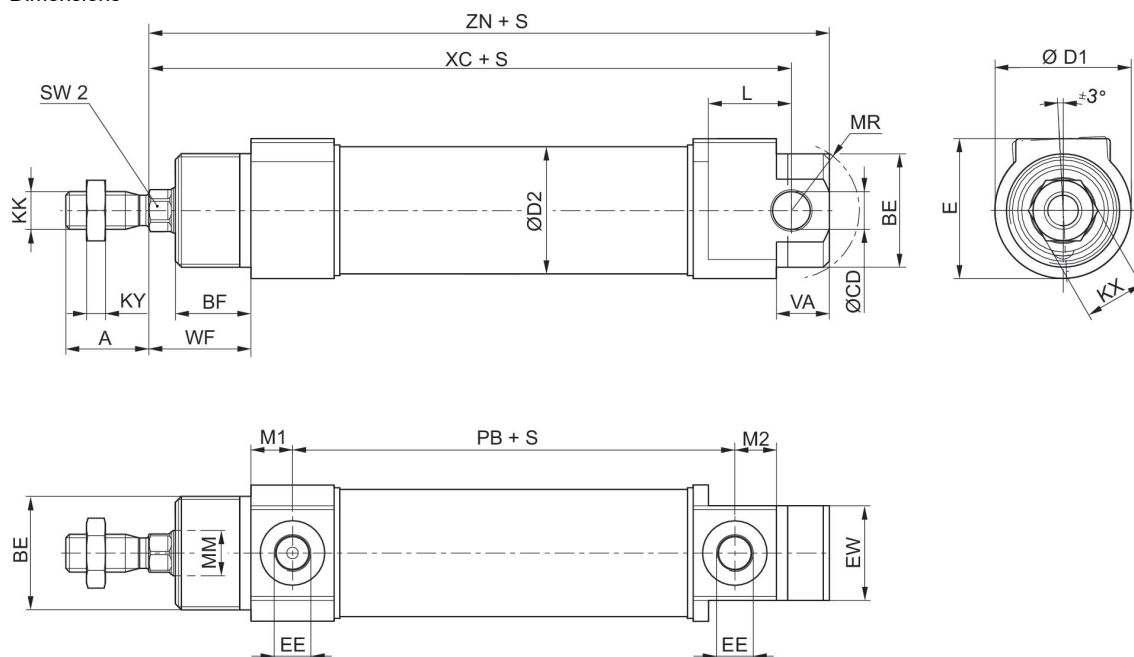
: Version: compact type
 : Double-acting
 : Piston with magnet
 : elastic cushioning
 : with integrated rear eye
 Piston rod: External thread
 Compressed air connection: Internal thread
 : ATEX optional
 Ambient temperature min./max.: -20 °C ... 80 °C
 Medium temperature min./max.: -20 °C ... 80 °C
 Working pressure min./max.: 1 bar ... 10 bar



Piston Ø	32 mm	40 mm	50 mm	63 mm
Piston rod thread	M10x1,25	M12x1,25	M16x1,5	M16x1,5
Ports	G 1/8	G 1/4	G 1/4	G 3/8
Piston rod Ø	12 mm	16 mm	20 mm	20 mm
Stroke 25	R412020684	R412020695	R412020706	R412020717
50	R412020685	R412020696	R412020707	R412020718
80	R412020686	R412020697	R412020708	R412020719
100	R412020687	R412020698	R412020709	R412020720
125	R412020688	R412020699	R412020710	R412020721
160	R412020689	R412020700	R412020711	R412020722
200	R412020690	R412020701	R412020712	R412020723
250	R412020691	R412020702	R412020713	R412020724
320	R412020692	R412020703	R412020714	R412020725
400	R412020693	R412020704	R412020715	R412020726
500	R412020694	R412020705	R412020716	R412020727

Piston Ø	32 mm	40 mm	50 mm	63 mm
Retracting piston force	435 N	660 N	1035 N	1765 N
Extracting piston force	505 N	790 N	1235 N	1960 N
Weight 0 mm stroke	0.33 kg	0.58 kg	0.92 kg	1.62 kg
Weight 10 mm stroke	0.015 kg	0.024 kg	0.04 kg	0.044 kg

Dimensions



S=stroke

Piston Ø	A	BE	BF	Ø CD H8	Ø D1	Ø D2	E	EE	EW
32	22	M30x1,5	20	10	36	33.5	37	G 1/8	25
40	24	M38x1.5	23	12	45	41.5	45	G 1/4	30
50	32	M45x1,5	24	12	55	52.5	55	G 1/4	35
63	32	M45x1,5	26.5	16	69	65.4	69	G 3/8	35

Piston Ø	KK	KX	KY	L min.	Ø MM f8	M1	M2	MR	PB
32	M10x1,25*	16	5	22	12	11	11	18	67
40	M12x1,25*	19	6	23	16	11.5	11.5	22.5	78
50	M16x1,5	24	8	26	20	11.5	11.5	25.5	77.5
63	M16x1,5	24	8	29	20	13.5	13.5	36.5	81.5

Piston Ø	SW2	VA	WF	XC	ZN
32	10	14	27	120	130
40	13	15	32	136	147
50	17	18	33.5	141	152
63	17	20	36.5	151	165

Round cylinder, Series RPC

: Version: short type

: Double-acting

: Piston with magnet

: elastic cushioning

Piston rod: External thread

Compressed air connection: Internal thread

: ATEX optional

Ambient temperature min./max.: -20 °C ... 80 °C

Medium temperature min./max.: -20 °C ... 80 °C

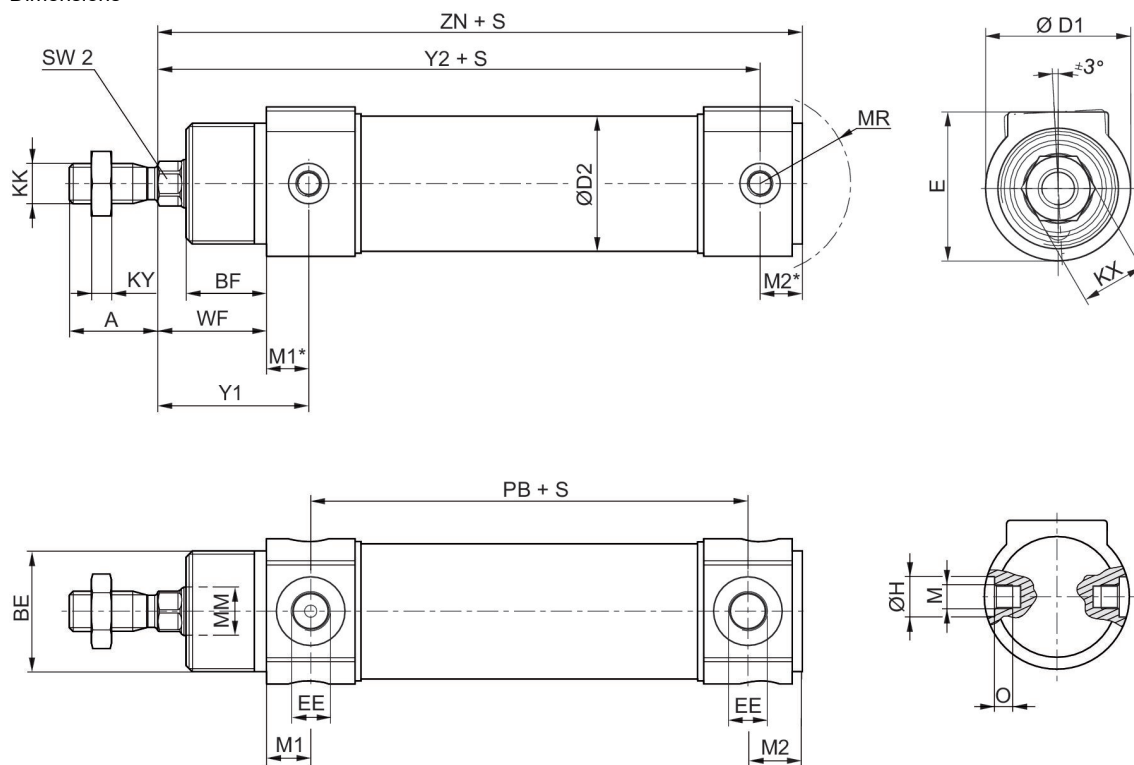
Working pressure min./max.: 1 bar ... 10 bar



Piston Ø	32 mm	40 mm	50 mm	63 mm
Piston rod thread	M10x1,25	M12x1,25	M16x1,5	M16x1,5
Ports	G 1/8	G 1/4	G 1/4	G 3/8
Piston rod Ø	12 mm	16 mm	20 mm	20 mm
Stroke 25	R412020640	R412020651	R412020662	R412020673
50	R412020641	R412020652	R412020663	R412020674
80	R412020642	R412020653	R412020664	R412020675
100	R412020643	R412020654	R412020665	R412020676
125	R412020644	R412020655	R412020666	R412020677
160	R412020645	R412020656	R412020667	R412020678
200	R412020646	R412020657	R412020668	R412020679
250	R412020647	R412020658	R412020669	R412020680
320	R412020648	R412020659	R412020670	R412020681
400	R412020649	R412020660	R412020671	R412020682
500	R412020650	R412020661	R412020672	R412020683

Piston Ø	32 mm	40 mm	50 mm	63 mm
Retracting piston force	435 N	660 N	1035 N	1765 N
Extracting piston force	505 N	790 N	1235 N	1960 N
Weight 0 mm stroke	0.3 kg	0.56 kg	0.88 kg	1.63 kg
Weight 10 mm stroke	0.015 kg	0.024 kg	0.04 kg	0.044 kg

Dimensions



S=stroke

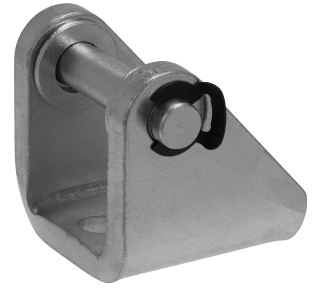
Piston Ø	A	BE	BF	Ø D1	Ø D2	E	EE	Ø H	KK
32	22	M30x1,5	20	36	33.5	37	G 1/8	10	M10x1,25*
40	24	M38x1.5	23	45	41.5	45	G 1/4	12	M12x1,25*
50	32	M45x1,5	24	55	52.5	55	G 1/4	14	M16x1,5
63	32	M45x1,5	26.5	69	65.4	69	G 3/8	16	M16x1,5

Piston Ø	KX	KY	M	Ø MM f8	M1	M1*	M2	M2*	MR
32	16	5	M6x0,5	12	11	10.5	13.5	10.5	22.5
40	19	6	M6x0,5	16	11.5	12	14	12.5	25.5
50	24	8	M8x0,75	20	11.5	10	14	12.5	31
63	24	8	M8x0,75	20	13.5	16	16	11.5	37.5

Piston Ø	O	PB	SW2	WF	Y1	Y2	ZN
32	4.5	58.5	10	27	37.5	99.5	110
40	4.5	76	13	32	43	120	132.5
50	7.5	75.5	17	33.5	43.5	122	134.5
63	7.5	79	17	36.5	52.5	134	145.5

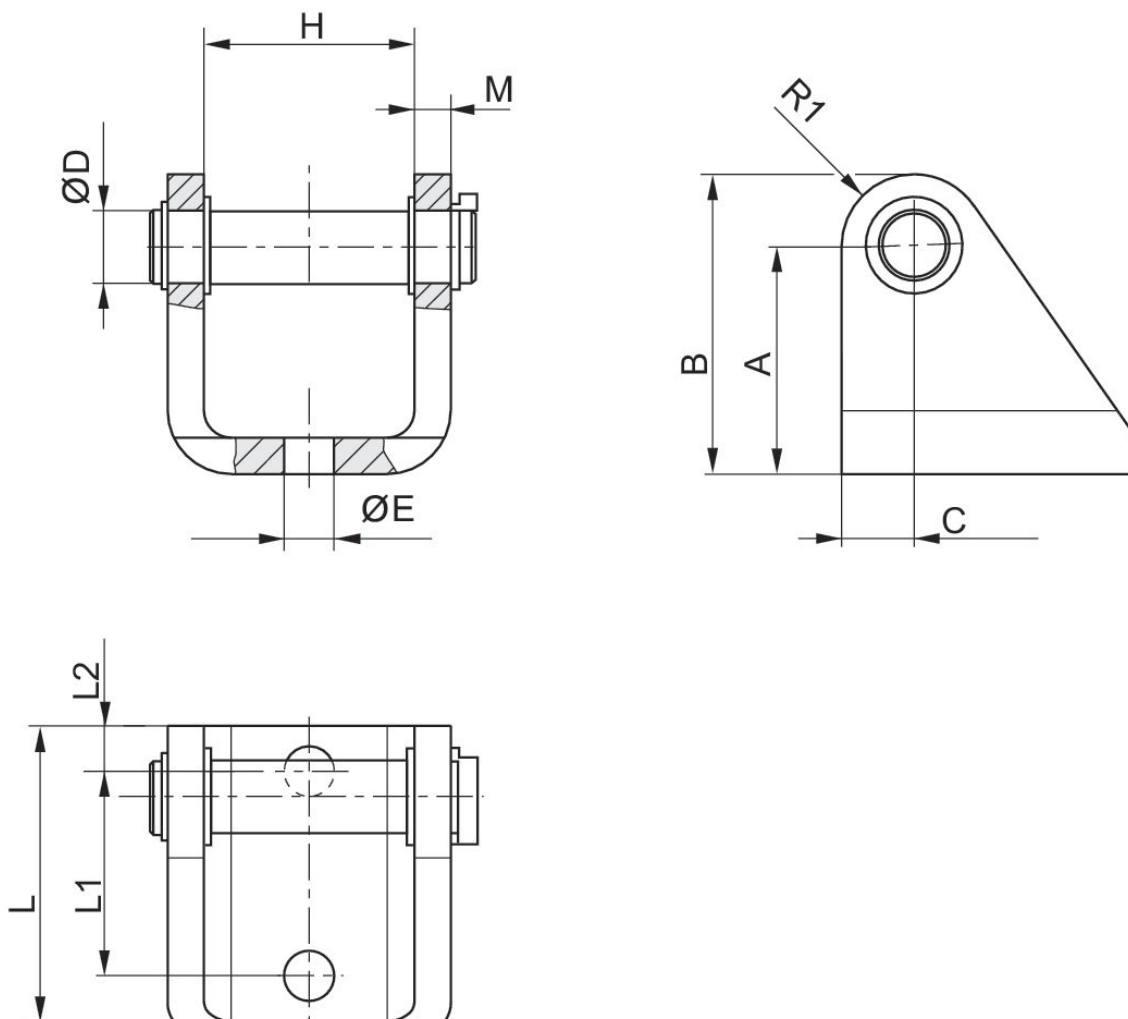
Clevis mounting AB3, Series CM1

For series: RPC



Piston diameter [mm]	Material	Part No.
32	Galvanized Steel	R412027805
40	Galvanized Steel	R412027806
50	Galvanized Steel	R412027807
63	Galvanized Steel	R412027808

Dimensions



Piston Ø	Part No.	A	B	C	Ø D	Ø E	H	M	L
32	R412027805	32	44	12	10	9	30.2	5	55
40	R412027806	36	49	13	12	9	33.2	5	55
50	R412027807	45	58	13	12	11	37.2	8	55
63	R412027808	50	66	16	16	11	46.4	8	65

Piston Ø	L1	L2	R1
32	35	10	12
40	35	10	13
50	35	10	13
63	45	10	16

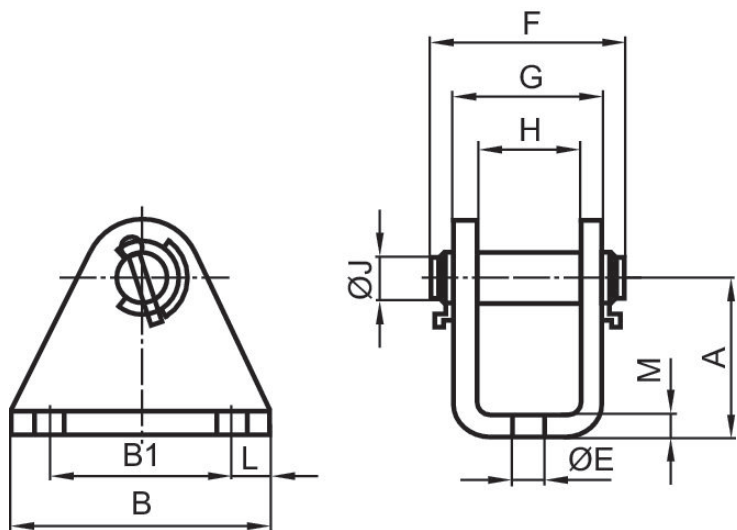
Clevis mounting AB3, Series CM1

For series: RPC



Piston diameter [mm]	Material	Part No.
32	Galvanized Steel	5217103402
40	Galvanized Steel	5217113402
50	Galvanized Steel	5217123402
63	Galvanized Steel	5217133402

Dimensions



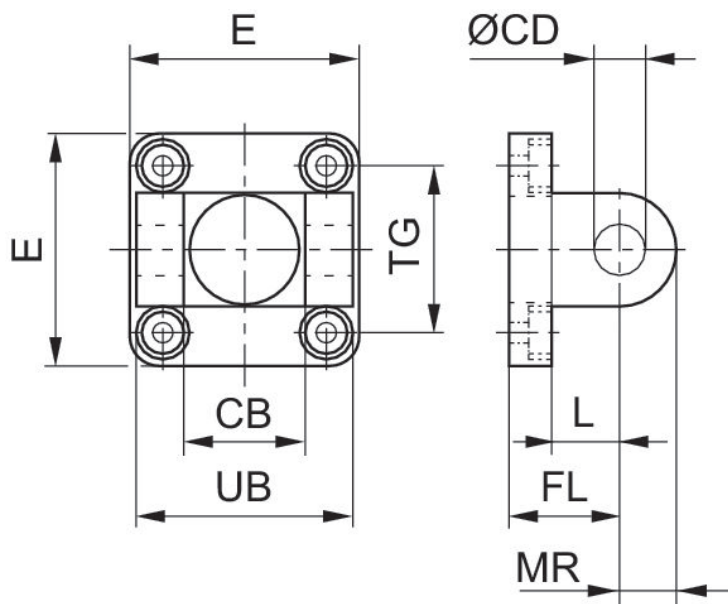
Piston Ø	Part No.	A	B	B1	Ø E	F	G	H	Ø J
32	5217103402	35	55	35	9	55	35.1	25.1	10
40	5217113402	40	55	35	9	65	40.1	30.1	12
50	5217123402	50	55	35	11	75	51.1	35.1	12
63	5217133402	60	65	45	11	75	51.1	35.1	16

Piston Ø	L	M
32	10	5
40	10	5
50	10	8
63	10	8

Clevis mounting MP2-HD, Series CM1

Piston diameter [mm]	Swivel bearing Ø [mm]	Standardization	Material	Part No.
32	10	ISO 15552	Aluminum	1827001289
40	12	ISO 15552	Aluminum	1827001290
50	12	ISO 15552	Aluminum	1827001291
63	16	ISO 15552	Aluminum	1827001500

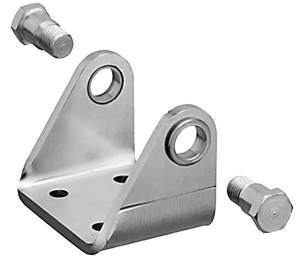
Dimensions



Piston Ø	Part No.	CB H14	Ø CD H9	E	FL ±0.2	L min.	MR max.	UB h13	TG
32	1827001289	26	10	47.5	22	12	10	45	32.5 ±0.2
40	1827001290	28	12	53.5	25	15	13	52	38 ±0.2
50	1827001291	32	12	64	27	15	13	60	46.5 ±0.2
63	1827001500	40	16	74	32	18	17	70	56.5 ±0.2
80	1827001293	50	16	94	36	20	17	90	72.0 ±0.2
100	1827001294	60	20	113.5	41	25	18	110	89.0 ±0.2
125	1827004862	70	25	138	50	30	26	130	110 ±0.3
160	1827004863	90	30	180	55	35	31	170	140 ±0.3
200	1827004864	90	30	220	60	35	31	170	175 ±0.3
250	1827004865	110	40	280	70	45	41	200	220 ±0.3
320	5239813402	120	45	350	80	50	45	220	270 ±0.3

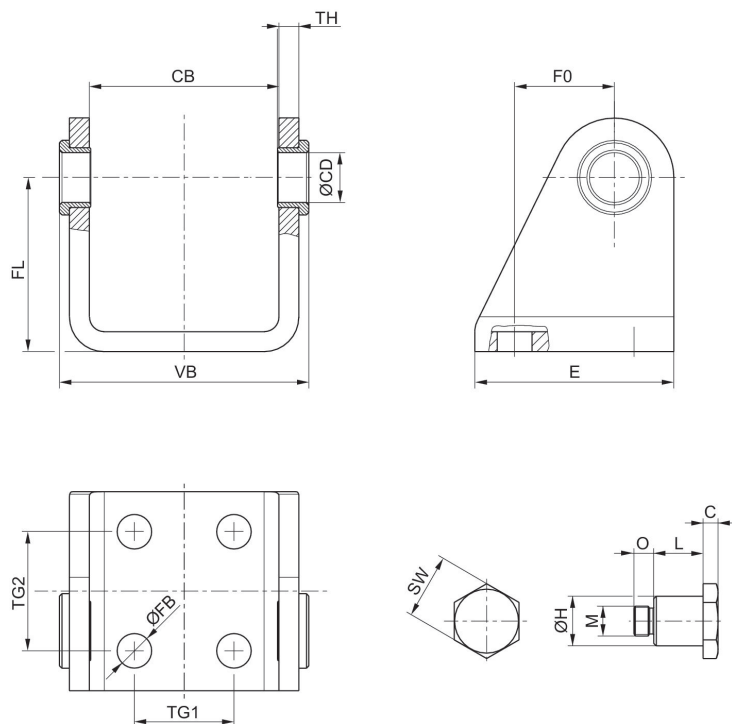
Trunnion mounting MP2, Series CM1

For series: RPC



Piston diameter [mm]	Material	Part No.
32	Steel, chrome-plated	R412019988
40	Steel, chrome-plated	R412019989
50	Steel, chrome-plated	R412019990
63	Steel, chrome-plated	R412019991

Dimensions



Piston Ø	Part No.	C	CB	Ø CD H9	E	Ø FB	FL	F0	Ø H e9
32	R412019988	3	38.1	10	40	7	35	20	10
40	R412019989	3	46.1	12	50	9	40	27	12
50	R412019990	4	57.1	14	54	9	45	30	14
63	R412019991	4	70.1	16	65	9	50	34	16

Piston Ø	L	M	O	SW	TG1	TG2	TH	VB
32	9.9	M6x0,5	4	13	20	24	4	50.1
40	10.4	M6x0,5	4	17	28	30	5	60.1
50	12.9	M8x0,75	7	19	36	34	6	74.1
63	13.9	M8x0,75	7	19	42	35	6	87.1

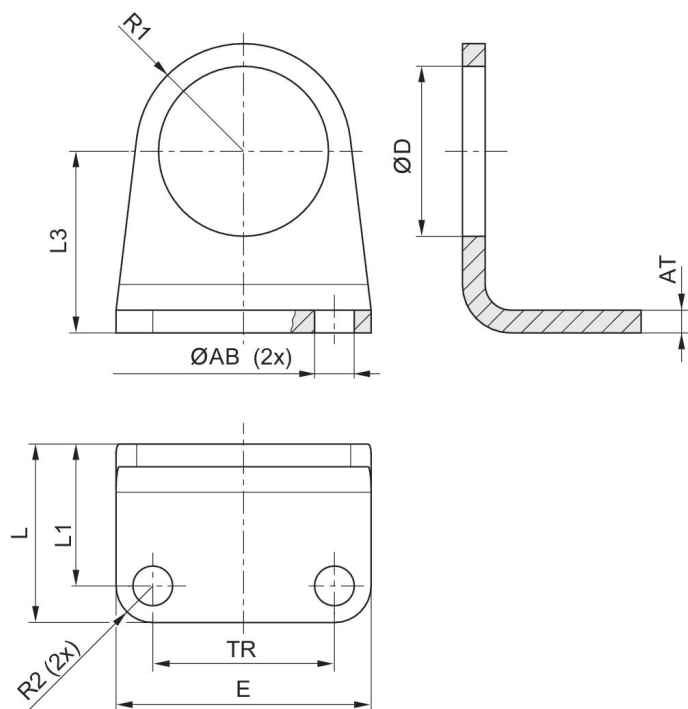
Foot mountings for cylinders Series RPC

For series: RPC



Piston diameter [mm]	Material	Part No.
32	Galvanized Steel	R412027801
40	Galvanized Steel	R412027802
50	Galvanized Steel	R412027803
63	Galvanized Steel	R412027804

Dimensions



Piston Ø	Part No.	Ø AB H13	AT	E	TR	Ø D	L	L1	L2
32	R412027801	7	4	45	32	30	31.5	25	32
40	R412027802	9	4	52	36	38	38	24/30 * *contains elongated hole	36
50	R412027803	9	5	65	45	45	40	30	45
63	R412027804	9	5	70	50	45	40	30	50

Piston Ø	R1	R2
32	19	6.5
40	24	8
50	28	10
63	35	10

*contains elongated hole

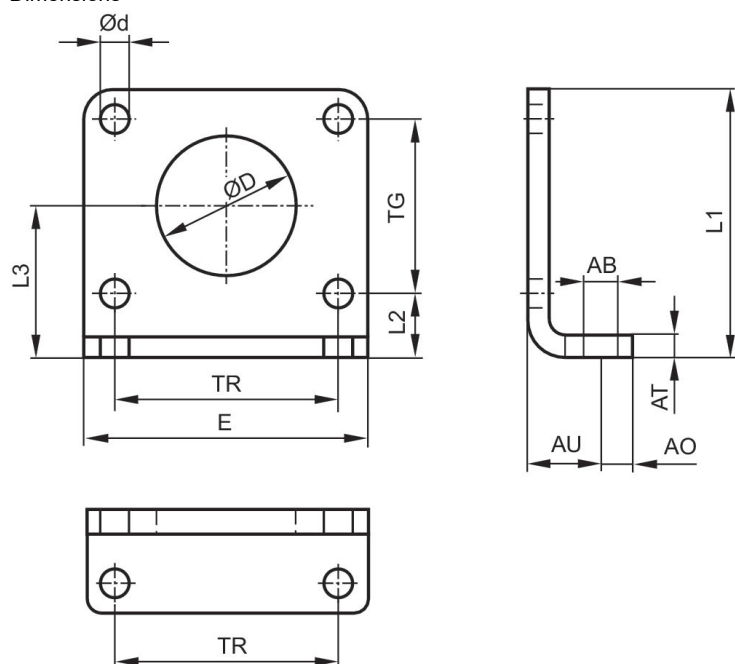
Foot mountings for cylinders Series RPC

For series: RPC



Piston diameter [mm]	Material	Part No.
32	Steel, chrome-plated	5217000504
40	Steel, chrome-plated	5217010504
50	Steel, chrome-plated	5217020504
63	Steel, chrome-plated	5217030504

Dimensions



Piston \varnothing	Part No.	$\varnothing AB$	AO	AT	AU $\pm 0,2$	$\varnothing d$	E	L1	L2
32	5217000504	9	10	5	20	7	72	56	18
40	5217010504	9	10	5	20	9	80	58	18
50	5217020504	11	10	6	25	9	90	75	25
63	5217030504	11	10	6	25	9	96	85	25

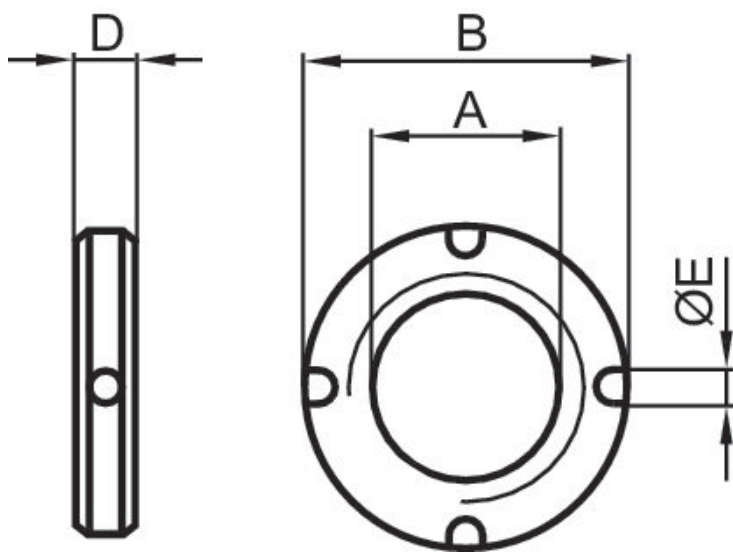
Piston \varnothing	L3	$\varnothing D$	TG $\pm 0,2$	TR
32	32	30	28	52
40	33	38	30	60
50	45	45	40	70
63	50	45	50	76

Round nut with set pin hole inside MR3, series CM1



Suitable piston Ø [mm]	Thread size	Material	Part No.
32	M30x1,5	Steel, chrome-plated	8915308704
40	M38x1,5	Steel, chrome-plated	8915307604
50, 63	M45x1,5	Steel, chrome-plated	8915309004

Dimensions



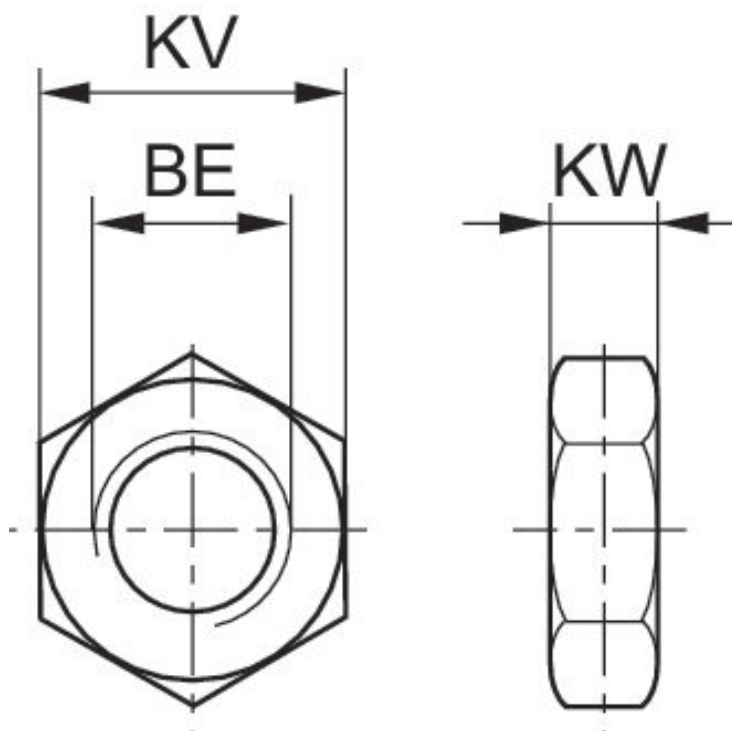
Piston Ø	Part No.	A	Ø B	D	E
32	8915308704	M30x1,5	38	8	4
40	8915307604	M38x1,5	50	10	5
50, 63	8915309004	M45x1,5	55	10	5

Nut MR3, series CM1



Suitable piston Ø [mm]	Thread size	Material	Part No.
32	M30x1,5	Steel, chrome-plated	R412027809
40	M36x1,5	Steel, chrome-plated	R412027810
40	M38x1,5	Steel, chrome-plated	R412027811
50, 63	M45x1,5	Steel, chrome-plated	R412027812

Dimensions



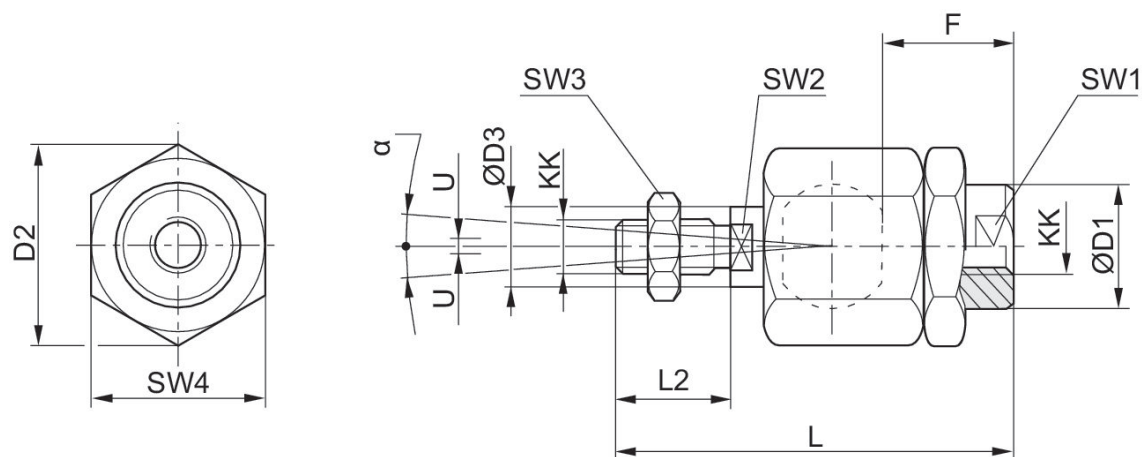
Piston Ø	Part No.	For series	BE	KV	KW
8, 10	1823300024	MNI	M12x1,25	17	5.5
12, 16	2915A51204	MNI	M16x1,5	22	6
20, 25	2915051207	CSL-RD, MNI	M22x1,5	30	7
8, 10	0413215803	ICM	M12x1,25	17	6.75
16	0413214505	ICM	M16x1,5	24	7
16	2918540030	CSL-RD	M16 x1,5	27	8
20, 25	0413214602	ICM	M22 x1,5	30	8
20, 25	R913030290	CSL-RD	M22 x1,5	32	11
32	0413214718	ICM	M30x1,5	41	11
80	3008010180	102	M24x2	36	8
60, 85	3056010180	102	M24	36	8
32	R412027809	102	M30x1,5	36	10
40	R412027810	RPC	M36x1,5	46	10
113, 160	3012010180	102	M36x3	52	10
40	R412027811	RPC	M38x1,5	46	10
50, 63	R412027812	RPC	M45x1,5	60	12
250	3075010180	102	M48x3	65	12

Flexible spherical coupling, Series PM5



Suitable piston rod thread	for series	Part No.
M10x1,25	PRA/TRB, CCL-IC-/IS, CCI, SSI, KPZ, 167, CVI, RPC	R412026142
M12x1,25	PRA/TRB, CCL-IC-/IS, CCI, SSI, KPZ, 167, CVI, RPC	R412026143
M16x1,5	PRA/TRB, CCL-IC-/IS, CCI, KPZ, 167, CVI, RPC, RDC	R412026144

Dimensions



* Radial joint

Part No.	KK	Ø D1	D2	Ø D3	F	L ±2	L2	SW1	SW2
1826409008	M4	12	13.5	4	13	33	8	12	3.2
R412007860	M5	8.5	14.8	6	12	38.5	13.5	7	5
R412026140	M6x1	8.5	14.5	6	11	36.5	11	7	5
R412026141	M8x1.25	12.5	19	8	21	58	21	11	7
R412026142	M10x1.25	22	32	14	23	74.5	23	19	12
R412026143	M12x1.25	22	32	14	24	75	24	19	12
R412026144	M16x1.5	32	45	22	30	103	30	30	20
R412026145	M20x1.5	32	45	22	40	119	40	30	20
1826409006	M27x2	62	62	28	48	147	54	32	24
1826409007	M36x2	80	80	38	86	241	72	50	32
R412007729	M42x2	64	98	42	96	271	82	60	36

Part No.	SW3	SW4	U	α [°]	1)
1826409008	7	11	0,5	8	0.05-0.2
R412007860	8	13	0,5	8	0.05-0.2
R412026140	10	13	0,7	6	0.05-0.5
R412026141	13	17	0,7	8	0.05-0.5
R412026142	17	30	1	8	0.05-0.5
R412026143	19	30	1	7	0.05-0.5
R412026144	24	41	1	6	0.05-0.5
R412026145	30	41	1	6	0.05-0.5
1826409006	41	55	1	8	0.05-0.2
1826409007	55	75	1	8	0.05-0.2
R412007729	65	85	1	8	0.05-0.2

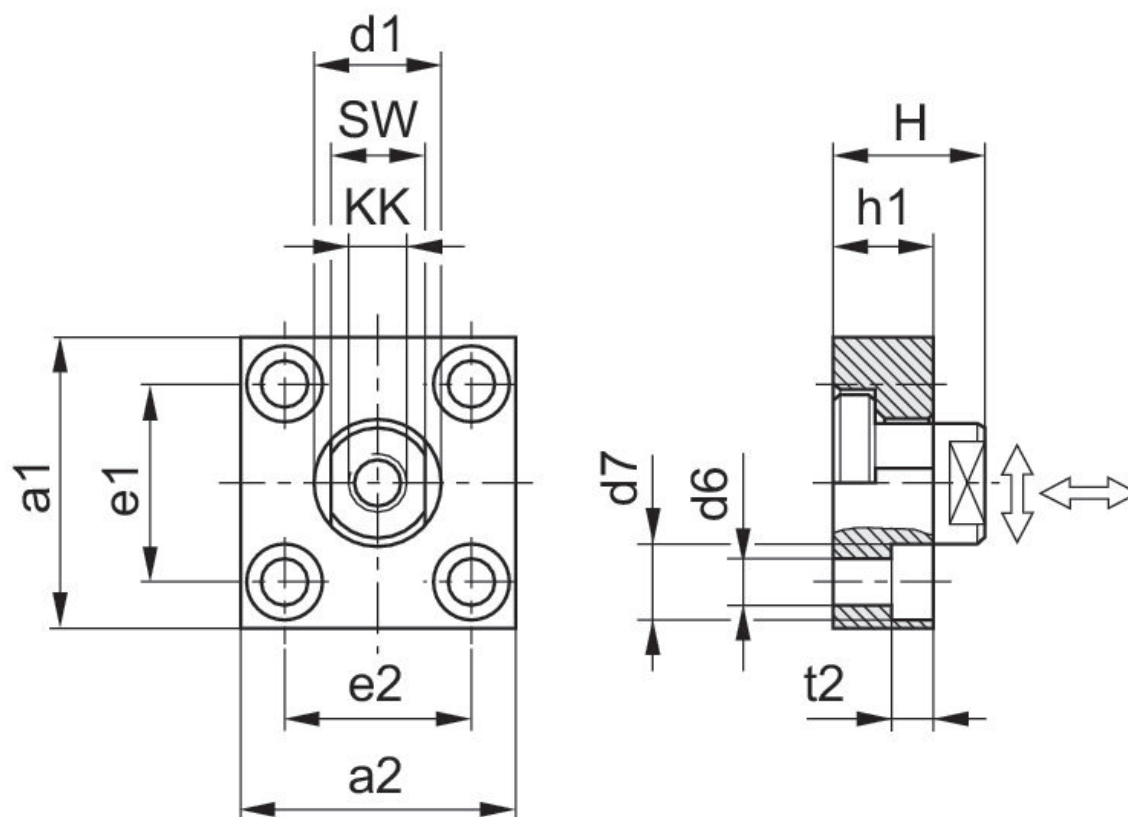
1) Axial play

Flexible plate coupling, Series PM7



Suitable piston rod thread	for series	Part No.
M10x1,25	PRA/TRB, CCL-IC-/IS, CCI, SSI, KPZ, 167, RPC	1827001629
M12x1,25	PRA/TRB, CCL-IC-/IS, CCI, SSI, KPZ, 167, RPC	1827001630
M16x1,5	PRA/TRB, CCL-IC-/IS, CCI, SSI, KPZ, 167, RPC	1827001631

Dimensions



Part No.	KK	a1	a2	d1 H11	d6 H13	d7 H13	e1 H13	e2	h1
1827001629	M10x1.25	60	37	20	6.6	11	36 ±0,15	23 ±0,15	15
1827001630	M12x1.25	60	56	25	9	15	42 ±0,2	38 ±0,2	20
1827001631	M16x1.5	80	80	30	11	18	58 ±0,2	58 ±0,2	20
1827001632	M20x1.5	90	90	40	14	20	65 ±0,3	65 ±0,3	20
1827001633	M27x2	90	90	40	14	20	65 ±0,3	65 ±0,3	20
1827001634	M36x2	125	125	60	18	26	90 ±0,3	90 ±0,3	30

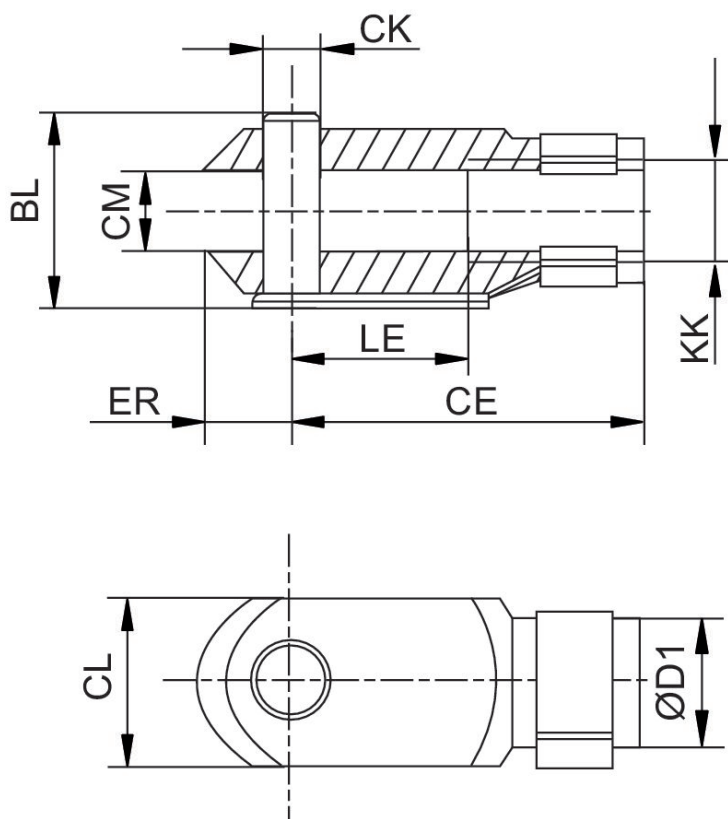
Part No.	t2	H	SW	Tightening torque for the coupling pin $M_a \pm 5\%$	Axial play min./max.	Radial play min./max.
1827001629	7	24	17	17 Nm	0,4 - 0,8 mm	1,9 - 2,3 mm
1827001630	9	30	19	29 Nm	0,4 - 0,8 mm	1,9 - 2,3 mm
1827001631	11	32	24	71 Nm	0,4 - 0,8 mm	1,9 - 2,3 mm
1827001632	13	35	36	138 Nm	0,4 - 0,8 mm	1,9 - 2,3 mm
1827001633	13	35	36	350 Nm	0,4 - 20,31 mm	1,9 - 2,3 mm
1827001634	17	55	50	1080 Nm	0,4 - 0,95 mm	2,8 - 3,4 mm

Rod clevis with lock washer, Series AP2, Galvanized Steel



Suitable piston rod thread	for series	Part No.
M10	RPC, KHZ	8958000122
M12	RPC, 102	8958000132
M10x1,25	PRA, TRB, CCI, MNI, ICM, KPZ, 167, CVI, RPC, RDC	1822122024
M12x1,25	PRA, TRB, CCI, KPZ, 167, CVI, RPC, 102	1822122025
M16x1,5	PRA, TRB, CCI, KPZ, 167, CVI, RPC, RDC, 102	1822122005

Dimensions



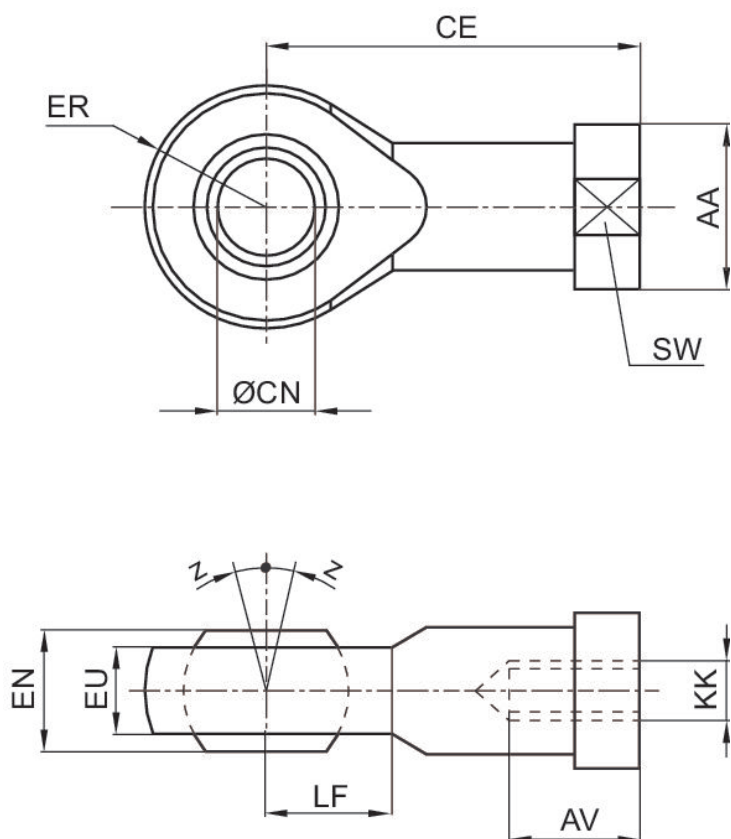
Part No.	BL	CE	ØCK h11	CL	CM	ØD1	ER	KK	LE
1822122028	11	16	4	8	4	8	5	M4	8
1822122008	13.5	20	5	10	5	9	6	M5	10
1822122009	16	24	6	12	6	10	7	M6	12
1822122010	21,5	32	8	16	8	14	10	M8	16
8958000122	26	40	10	20	10	18	12	M10	20
1822122024	26	40	10	20	10	18	12	M10x1,25	20
8958000132	31	48	12	24	12	20	14	M12	24
1822122025	31	48	12	24	12	20	14	M12x1,25	24
1822122005	39	64	16	32	16	26	19	M16x1,5	32
1822122004	50	80	20	40	20	34	20	M20x1,5	40

Ball eye rod end AP6, galvanized Steel



Suitable piston rod thread	for series	Swivel bearing Ø [mm]	Part No.
M10		10	8958206402
M12	KHZ	12	8958208852
M10x1,25	PRA, TRB, MNI, CCI, SSI, RPC, KPZ, 167, CVI, RDC	10	1822124003
M12x1,25	PRA, TRB, CCI, SSI, RPC, KPZ, 167, CVI, 102	12	1822124004
M16x1,5	PRA, TRB, CCI, SSI, RPC, KPZ, 167, CVI, RDC, 102	16	1822124005

Dimensions



KK	Part No.	AA	AV min.	CE	Ø CN H7	EN -0,1	ER	EU max.	LF
M4	1822124000	12	8	27	5	8	9	7.5	9
M6	1822124001	13	9	30	6	9	10	7.5	10
M8	1822124002	16	12	36	8	12	12	9.5	12
M10	8958206402	19	20	43	10	14	14	10.5	13
M12	8958208852	22	22	50	12	16	16	12	16
M10x1,25	1822124003	19	15	43	10	14	14	11.5	14
M12x1,25	1822124004	22	18	50	12	16	16	12.5	16
M16x1,5	1822124005	27	24	64	16	21	21	15.5	21
M20x1,5	1822124006	34	30	77	20	25	25	18.5	25
M24x2	8958208002	42	36	94	25	31	30	23	30
M27x2	1822124013	50	45	110	30	37	35	27	35
M36x2	1822124008	60	56	125	35	43	40	32	40
M42x2	1822124009	69	60	142	40	49	45.5	37	45
M48x2	8958208842	75	65	160	50	60	58	45	60

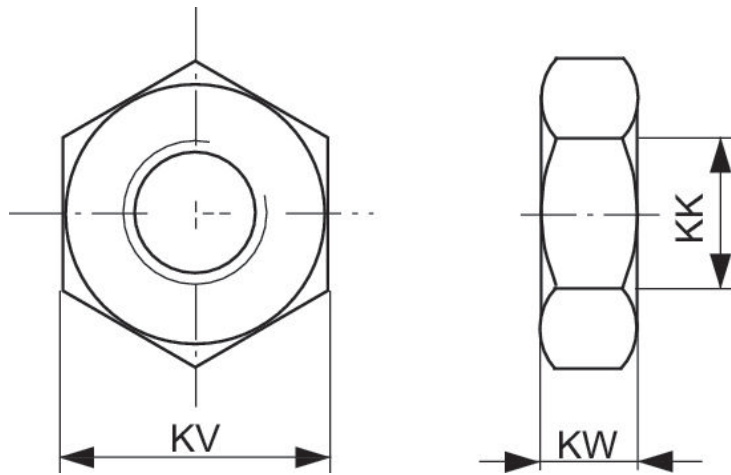
KK	SW	Z [°] max.
M4	9	4
M6	11	4
M8	14	4
M10	17	6
M12	19	13
M10x1,25	17	4
M12x1,25	19	4
M16x1,5	22	4
M20x1,5	30	4
M24x2	36	15
M27x2	41	4
M36x2	50	4
M42x2	55	4
M48x2	65	6

Piston rod nut MR9



Thread size	Material	Part No.
M10	Steel, chrome-plat- ed	8103040224
M10x1,25	Steel, chrome-plat- ed	1823A00020
M12	Steel, chrome-plat- ed	8103060064
M12x1,25	Steel, chrome-plat- ed	1823A00021
M16x1,5	Steel, chrome-plat- ed	1823300030

Dimensions



Part No.	KK	KV	KW
8103040114	M4		
1823300033	M6	10	3.2
1823300034	M8	13	4
8103040224	M10	17	8
1823A00020	M10x1,25		
8103060064	M12	19	10
1823A00021	M12x1,25	19	6
8103190344	M12x1,25	19	6
1823300030	M16x1,5	24	8
1823300031	M20x1,5	30	10
8103040344	M20x1,5	30	10
8103190394	M24x2	36	12
1823A00029	M27x2	41	13.5
8103190414	M36x2	50	16
8103190424	M42x2	60	21
8103190434	M48x2	65	25
3330310000	M4	7	2.2
8103190644	M6	10	3.2
3330316000	M6		
8103190164	M8	13	4
3330320000	M8		
8103190464	M10x1,25	17	5
3590302000	M10x1,25		
3590304000	M12x1,25	19	6
3590305000	M16x1,5	24	8
3590308000	M20x1,5	30	10
2990600303	M10x1,25	17	5
2990600304	M12x1,25	19	6
2990600305	M16x1,5	24	8
2990600308	M20x1,5	30	10
2990600312	M27x2	41	13.5
2990600316	M36x2	50	16
2990600325	M42x2	60	21

Sensor, Series SN2, Plug M8

Indirect mounting for series: TRB PRA ITS MNI CSL-RD ICM RPC TRR FLT CVI

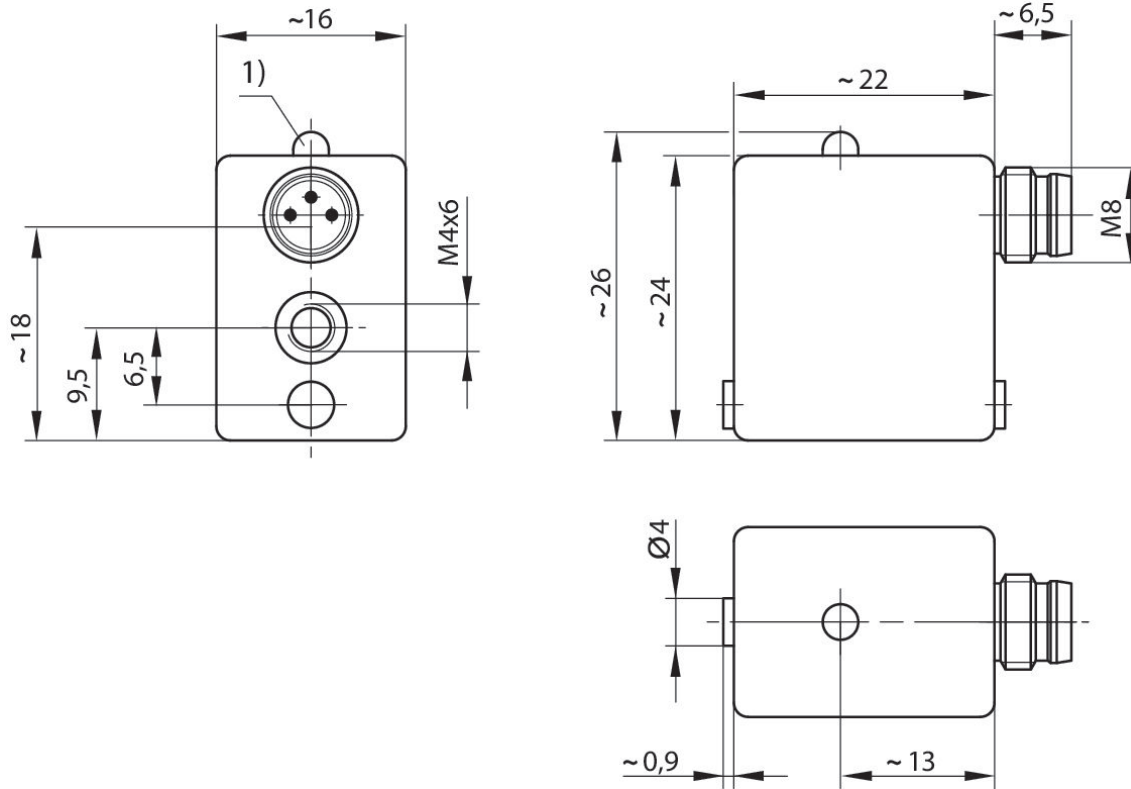


	Switch descr.	Protective resistor for reed	Min. operating voltage DC [V DC]	Max. operating voltage DC [V DC]	Min. operating voltage AC [V AC]	Max. operational voltage AC [V AC]	Max. DC switching current [A]	Part No.
	Reed	27 Ω	12	36	12	30	0.13	0830100465
	Reed	1,3 Ω	12	36	12	30	0.3	0830100468
	Reed	27 Ω	12	36	12	30	0.13	R412004299
	Reed	100 Ω	12	36	12	30	0.13	0830100466
	Reed	27 Ω	12	36	12	30	0.13	0830100469
	Reed	27 Ω	12	36	12	30	0.13	R412004820
	Reed	27 Ω	12	36	12	30	0.2	0830100472
	electronic PNP		10	30	12	30	0.13	0830100480
	electronic PNP		10	30			0.13	R412004800

Max. AC switching current [A]	Switching capacity	Voltage drop U at I _{max}	Electrical connection number of poles	Part No.
0.13	10 W / 10 VA	2,1 V + I*Rs	2-pin	0830100465
0.5	10 W / 10 VA	2,1 V + I*Rs	2-pin	0830100468
0.13	10 W / 10 VA	2,1 V + I*Rs	3-pin	R412004299
0.13	10 W / 10 VA	2,1 V + I*Rs	2-pin	0830100466
0.13	5,5 W / 5,5 VA	≤ 0,5 V	3-pin	0830100469
0.13	10 W / 10 VA	I*Rs	3-pin	R412004820
0.13	5 W / 5 VA	≤ 1,5 V	3-pin	0830100472

Max. AC switching current [A]	Switching capacity	Voltage drop U at I _{max}	Electrical connection number of poles	Part No.
		≤ 2,0 V	3-pin	0830100480
		≤ 2,0 V	3-pin	R412004800

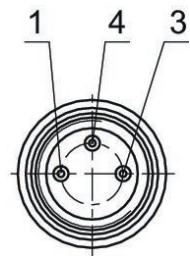
Dimensions



1) LED
M8: combination plug can be combined with valve plug connectors $\varnothing 6.5$ mm and M8.

0830100465, 0830100468, R412004299, 0830100466, 0830100469, R412004820, 0830100472, 0830100480, R412004800

Pin assignment M8x1 (3-pin)



Pin	Allocation
1	(+)
3	(-)
4	(OUT)

Sensor, Series SN2, Plug M8, 4-pin

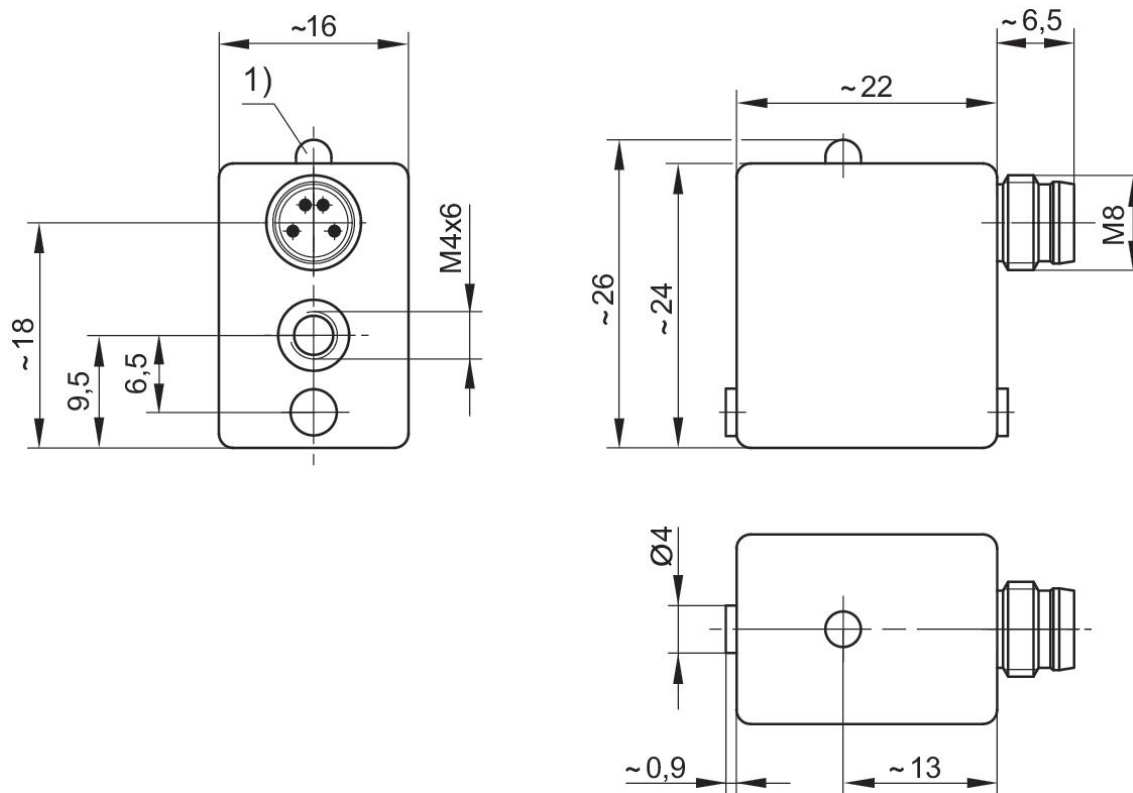
Indirect mounting for series: TRB PRA ITS MNI CSL-RD ICM RPC TRR FLT CVI



	Switch descr.	Protective resistor for reed	Min. operating voltage DC [V DC]	Max. operating voltage DC [V DC]	Min. operating voltage AC [V AC]	Max. operational voltage AC [V AC]	Max. DC switching current [A]	Part No.
	Reed	27 Ω	12	36	12	30	0.13	0830100467

Max. AC switching current [A]	Switching capacity	Voltage drop U at I _{max}	Electrical connection number of poles	Part No.
0.13	10 W / 10 VA	≤ 3,5 V	4-pin	0830100467

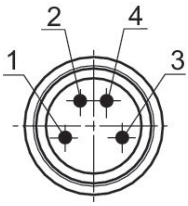
Dimensions



1) LED
M8: combination plug can be combined with valve plug connectors Ø6.5 mm and M8.

0830100467

Pin assignment M8x1 (4-pin)



Pin	Allocation
1	(+)
3	(-)
4	(OUT)

Sensors, Series ST6, open cable ends, 2-pin, Reed

: 6 mm T-slot
: with cable

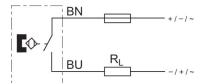
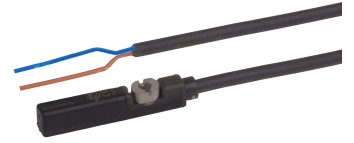
Direct mounting for series: PRA CCI KPZ SSI GPC CVI

Indirect mounting for series: TRB ITS 167 C12P CCL-IS MNI CSL-RD RPC ICS-D2

ICM KHZ TRR

Certificates: CE declaration of conformity cULus RoHS UL (Underwriters Laboratories)

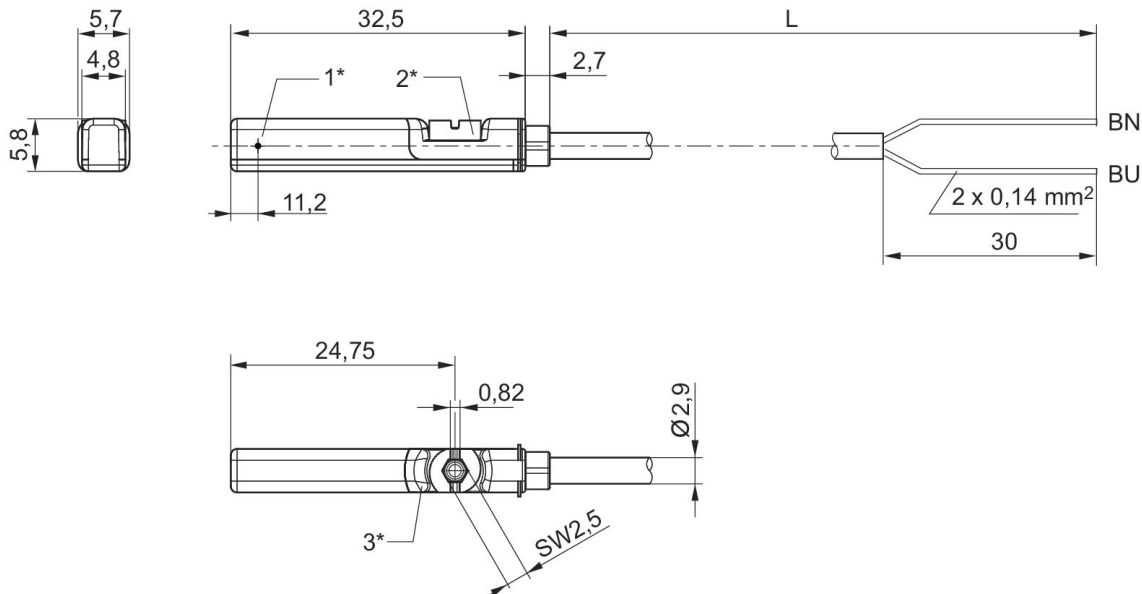
Ambient temperature min./max.: -30 °C ... 80 °C



Switch descr.	Cable sheath	Number of poles	Max. DC switching current [A]	Max. AC switching current [A]	Min. operating voltage DC [V DC]	Max. operating voltage DC [V DC]	Min. operating voltage AC [V AC]	Part No.
Reed	Polyurethane	2-pin	0.13	0.13	10	230	10	R412022866
Reed	Polyurethane	2-pin	0.13	0.13	10	230	10	R412027170

Max. operational voltage AC [V AC]	Version	Cable length L [m]	Part No.
230	Protected against polarity reversal	3	R412022866
230	Protected against polarity reversal	5	R412027170

Dimensions



1* = switching point 2* = locking screw 3* = LED window, transparent
L = cable length BN=brown, BU=blue

Sensors, Series ST6, open cable ends, 3-pin, NPN

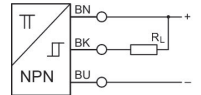
: 6 mm T-slot
: with cable

Direct mounting for series: PRA PRE CCI KPZ SSI GPC CVI

Indirect mounting for series: TRB ITS CCL-IS MNI CSL-RD RPC ICS-D2 ICM KHZ TRR

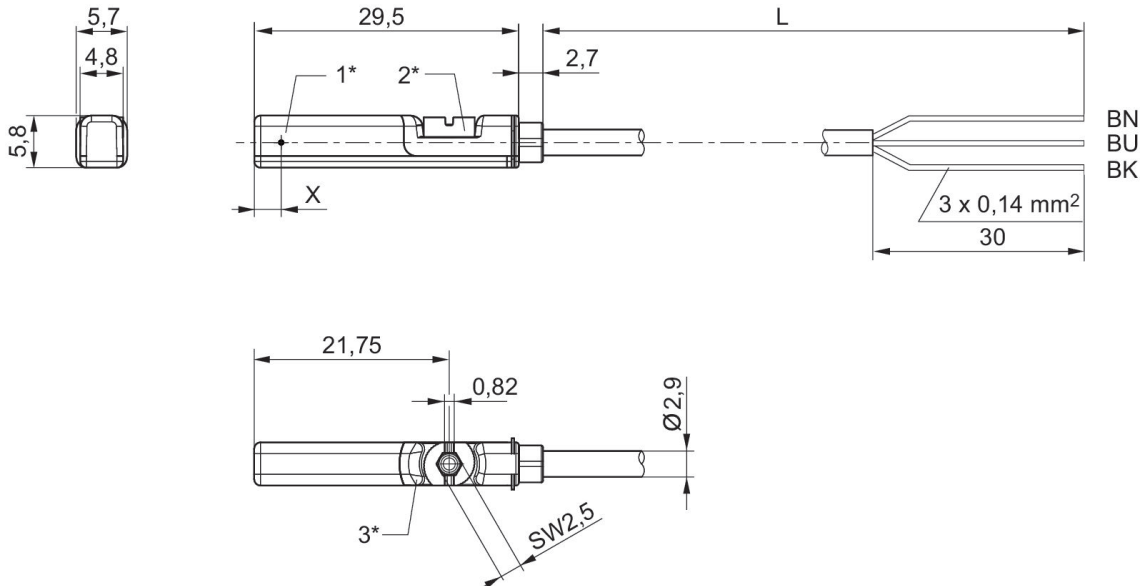
Certificates: CE declaration of conformity cULus RoHS UL (Underwriters Laboratories)

Ambient temperature min./max.: -30 °C ... 80 °C



Switch descr.	Cable sheath	Number of poles	Max. DC switching current [A]	Min. operating voltage DC [V DC]	Max. operating voltage DC [V DC]	Version	Cable length L [m]	Part No.
NPN	Polyurethane	3-pin	0.13	10	30	short circuit resistant, Protected against polarity reversal	3	R412022849
NPN	Polyurethane	3-pin	0.13	10	30	short circuit resistant, Protected against polarity reversal	5	R412022850

Dimensions



1* = switching point 2* = locking screw 3* = LED window, transparent
L = cable length BN = brown, BK = black, BU = blue
X = electronic: 11.6 mm

Sensors, Series ST6, open cable ends, 3-pin, PNP

: 6 mm T-slot

: with cable

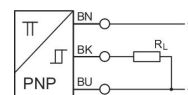
Direct mounting for series: PRA PRE CCI KPZ SSI GPC CVI

Indirect mounting for series: TRB ITS CCL-IS MNI CSL-RD RPC ICS-D2 ICM KHZ

TRR

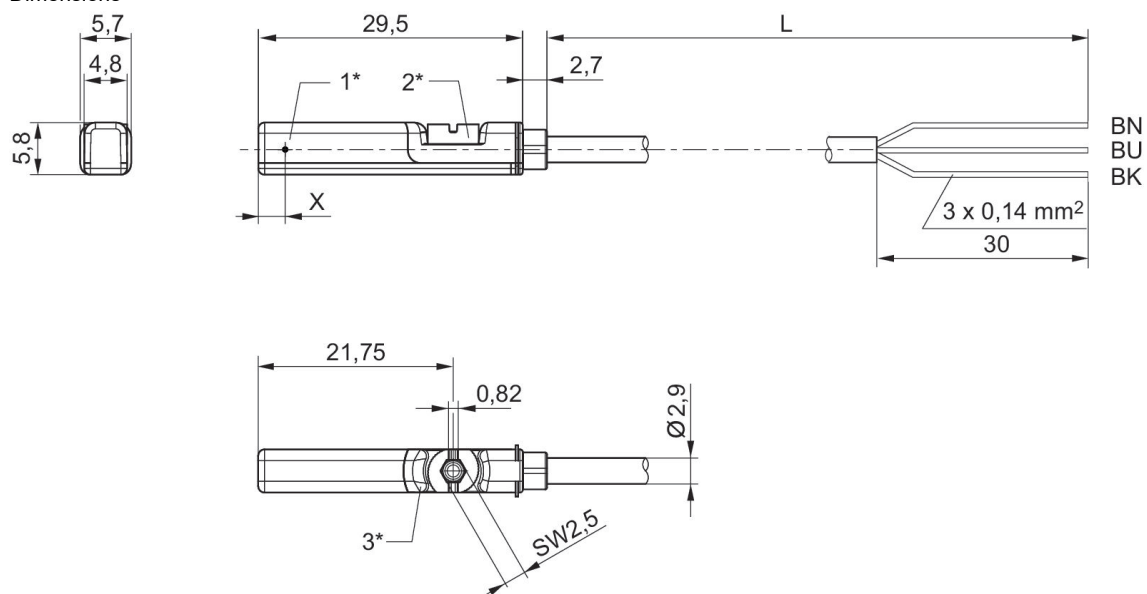
Certificates: CE declaration of conformity cULus RoHS UL (Underwriters Laboratories)

Ambient temperature min./max.: -30 °C ... 80 °C



Switch descr.	Cable sheath	Number of poles	Max. DC switching current [A]	Min. operating voltage DC [V DC]	Max. operating voltage DC [V DC]	Version	Cable length L [m]	Part No.
electronic PNP	Polyurethane	3-pin	0.13	10	30	short circuit resistant, Protected against polarity reversal	3	R412022853
electronic PNP	Polyurethane	3-pin	0.13	10	30	short circuit resistant, Protected against polarity reversal	5	R412022855
electronic PNP	Polyurethane	3-pin	0.13	10	30	short circuit resistant, Protected against polarity reversal	10	R412022857

Dimensions



1* = switching point 2* = locking screw 3* = LED window, transparent
 L = cable length BN = brown, BK = black, BU = blue
 X = electronic: 11.6 mm

Sensors, Series ST6, open cable ends, 3-pin, Reed

: 6 mm T-slot

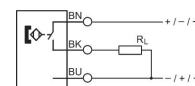
: with cable

Direct mounting for series: PRA PRE CCI KPZ SSI GPC CVI

Indirect mounting for series: TRB ITS CCL-IS MNI CSL-RD RPC ICS-D2 ICM KHZ TRR

Certificates: CE declaration of conformity cULus RoHS UL (Underwriters Laboratories)

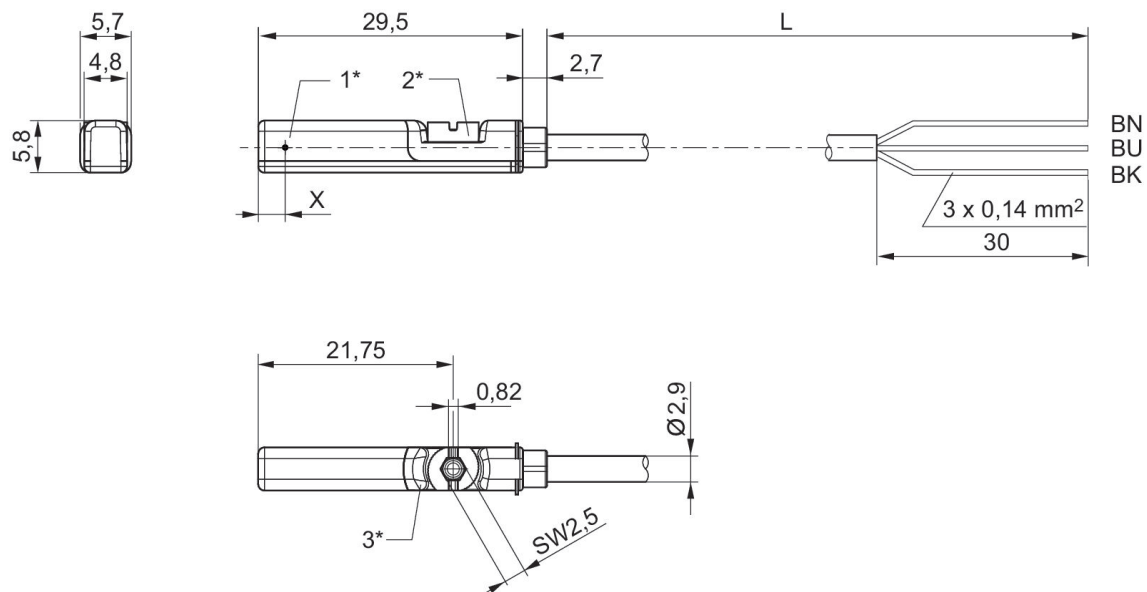
Ambient temperature min./max.: -30 °C ... 80 °C



Switch descr.	Cable sheath	Number of poles	Max. DC switching current [A]	Max. AC switching current [A]	Min. operating voltage DC [V DC]	Max. operating voltage DC [V DC]	Min. operating voltage AC [V AC]	Part No.
Reed	Polyurethane	3-pin	0.3	0.5	10	30	10	R412022869
Reed	Polyurethane	3-pin	0.3	0.5	10	30	10	R412022870
Reed	Polyurethane	3-pin	0.3	0.5	10	30	10	R412022871

Max. operational voltage AC [V AC]	Version	Cable length L [m]	Part No.
30	Protected against polarity reversal	3	R412022869
30	Protected against polarity reversal	5	R412022870
30	Protected against polarity reversal	10	R412022871

Dimensions



1* = switching point 2* = locking screw 3* = LED window, transparent
 L = cable length BN = brown, BK = black, BU = blue
 X = electronic: 11.6 mm

Sensors, Series ST6, plug M8

: 6 mm T-slot

: with cable

Direct mounting for series: PRA PRE CCI KPZ SSI GPC CVI

Indirect mounting for series: TRB ITS CCL-IS MNI CSL-RD RPC ICS-D2 ICM KHZ

TRR

Certificats: CE declaration of conformity cULus RoHS UL (Underwriters Laboratories)

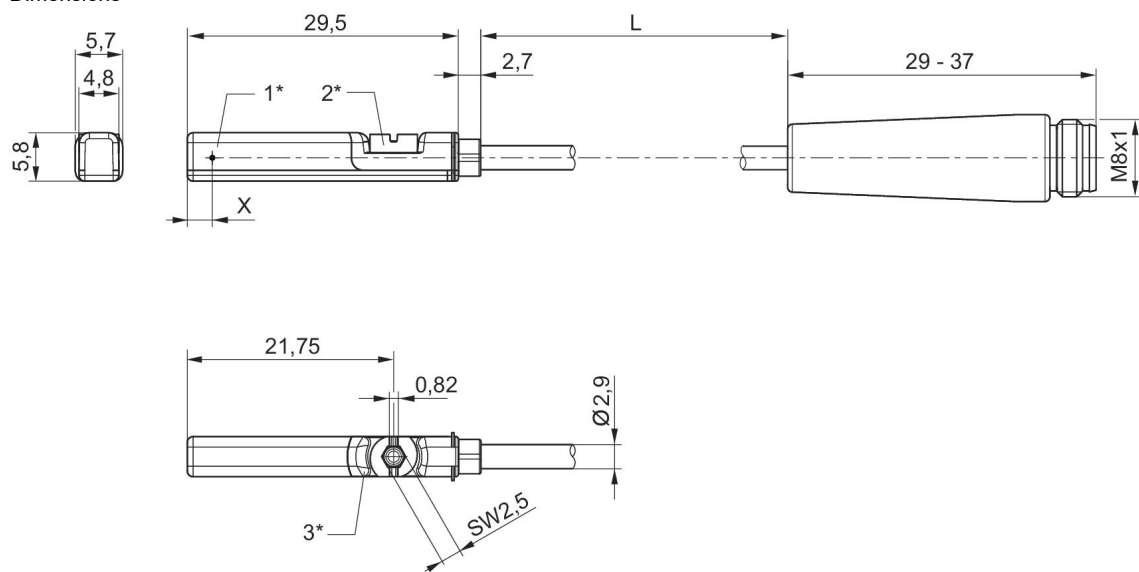
Ambient temperature min./max.: -30 °C ... 80 °C



	Switch descr.	Cable sheath	Electrical interface 2	Number of poles	Max. DC switching current [A]	Max. AC switching current [A]	Min. operating voltage DC [V DC]	Part No.
	Reed	Polyurethane	M8x1	3-pin	0.13	0.13	10	R412022868
	Reed	Polyurethane	M8x1	2-pin	0.13	0.13	10	R412027172
	Reed	Polyurethane	M8x1	3-pin	0.3	0.5	10	R412022872
	electronic PNP	Polyurethane	M8x1	3-pin	0.13		10	R412022858
	NPN	Polyurethane	M8x1	3-pin	0.13		10	R412022851

Max. operating voltage DC [V DC]	Min. operating voltage AC [V AC]	Max. operational voltage AC [V AC]	Version	Cable length L [m]	Part No.
30	10	30	Protected against polarity reversal	0.3	R412022868
30	10	30	Protected against polarity reversal	0.3	R412027172
30	10	30	Protected against polarity reversal	0.3	R412022872
30			short circuit resistant, Protected against polarity reversal	0.3	R412022858
30			short circuit resistant, Protected against polarity reversal	0.3	R412022851

Dimensions



1* = switching point 2* = locking screw 3* = LED window, transparent
 L = cable length
 X = electronic: 11,6 mm, Reed: 8,3 mm

Sensors, Series ST6, plug M8x1, with knurled screw

: 6 mm T-slot

: with cable

Direct mounting for series: PRA PRE CCI KPZ SSI GPC CVI

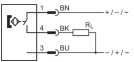
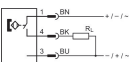
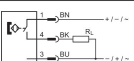
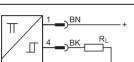

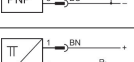

Indirect mounting for series: TRB ITS CCL-IS MNI CSL-RD RPC ICS-D2 ICM KHZ

TRR

Certificates: CE declaration of conformity cULus RoHS UL (Underwriters Laboratories)

Ambient temperature min./max.: -30 °C ... 80 °C

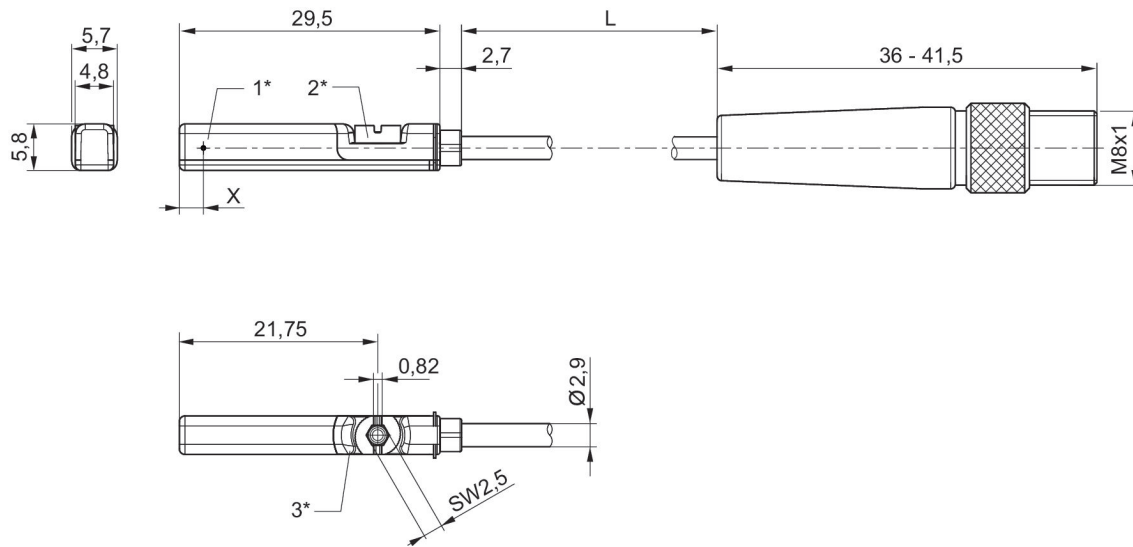


	Switch descr.	Cable sheath	Electrical interface 2	Number of poles	Max. DC switching current [A]	Max. AC switching current [A]	Min. operating voltage DC [V DC]	Part No.
	Reed	Polyurethane	M8x1	3-pin	0.3	0.5	10	R412022873
	Reed	Polyvinyl chloride	M8x1	3-pin	0.3	0.5	10	R412022875
	Reed	Polyurethane	M8x1	3-pin	0.3	0.5	10	R412022874
	electronic PNP	Polyurethane	M8x1	3-pin	0.13		10	R412022859
	electronic PNP	Polyvinyl chloride	M8x1	3-pin	0.13		10	R412022862
	electronic PNP	Polyurethane	M8x1	3-pin	0.13		10	R412022861
	NPN	Polyurethane	M8x1	3-pin	0.13		10	R412022852

Max. operating voltage DC [V DC]	Min. operating voltage AC [V AC]	Max. operational voltage AC [V AC]	Version	Cable length L [m]	Part No.
30	10	30	Protected against polarity reversal	0.3	R412022873
30	10	30	Protected against polarity reversal	0.3	R412022875
30	10	30	Protected against polarity reversal	0.5	R412022874
30			short circuit resistant, Protected against polarity reversal	0.3	R412022859

Max. operating voltage DC [V DC]	Min. operating voltage AC [V AC]	Max. operational voltage AC [V AC]	Version	Cable length L [m]	Part No.
30			short circuit resistant, Protected against polarity reversal	0.3	R412022862
30			short circuit resistant, Protected against polarity reversal	0.5	R412022861
30			short circuit resistant, Protected against polarity reversal	0.3	R412022852

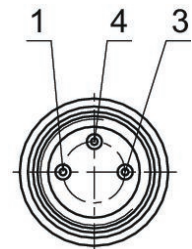
Dimensions



1* = switching point 2* = locking screw 3* = LED window, transparent
 L = cable length
 X = electronic: 11,6 mm, Reed: 8,3 mm

R412022873, R412022875, R412022874, R412022859, R412022862, R412022861, R412022852

Pin assignment M8x1 (3-pin)



Pin	Allocation
1	(+)
3	(-)
4	(OUT)

Sensors, Series ST6, plug M12x1

: 6 mm T-slot

: with cable

Direct mounting for series: PRA PRE CCI KPZ SSI GPC CVI

Indirect mounting for series: TRB ITS CCL-IS MNI CSL-RD RPC ICS-D2 ICM KHZ

TRR

Certificates: CE declaration of conformity cULus RoHS UL (Underwriters Laboratories)

Ambient temperature min./max.: -30 °C ... 80 °C

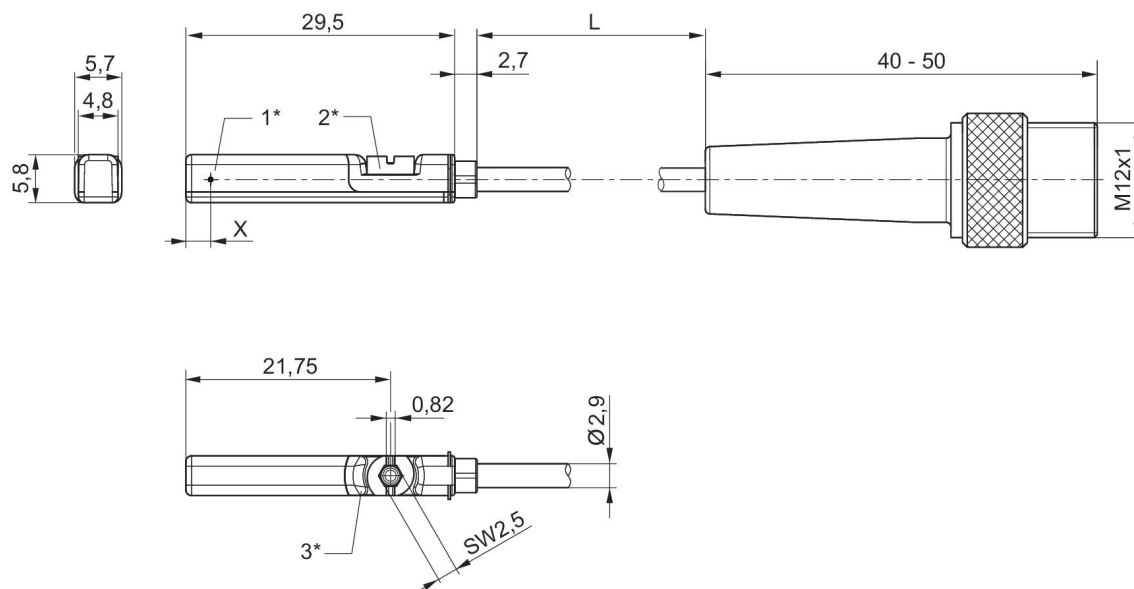


	Switch descr.	Cable sheath	Electrical interface 2	Number of poles	Max. DC switching current [A]	Max. AC switching current [A]	Min. operating voltage DC [V DC]	Part No.
	Reed	Polyurethane	M12x1	2-pin	0.13	0.13	10	R412027171
	Reed	Polyurethane	M12x1	3-pin	0.3	0.5	10	R412022876
	electronic PNP	Polyurethane	M12x1	3-pin	0.13		10	R412022879
	electronic PNP	Polyurethane	M12x1	3-pin	0.13		10	R412022863
	electronic PNP	Polyurethane	M12x1	3-pin	0.13		10	R412022877
	electronic PNP	Polyurethane	M12x1	3-pin	0.13		10	R412022878

Max. operating voltage DC [V DC]	Min. operating voltage AC [V AC]	Max. operational voltage AC [V AC]	Version	Cable length L [m]	Part No.
30	10	30	Protected against polarity reversal	0.3	R412027171
30	10	30	Protected against polarity reversal	0.3	R412022876
30			short circuit resistant, Protected against polarity reversal	0.1	R412022879
30			short circuit resistant, Protected against polarity reversal	0.3	R412022863
30			short circuit resistant, Protected against	3	R412022877

Max. operating voltage DC [V DC]	Min. operating voltage AC [V AC]	Max. operational voltage AC [V AC]	Version	Cable length L [m]	Part No.
			polarity reversal		
30			short circuit resistant, Protected against polarity reversal	5	R412022878

Dimensions



1* = switching point 2* = locking screw 3* = LED window, transparent
L = cable length
X = PNP: 11,6 mm, reed: 8,3 mm

Sensors, Series ST6, plug M8x1, ATEX

: 6 mm T-slot
: with cable

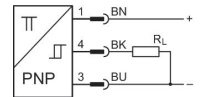
Direct mounting for series: PRA PRE CCI KPZ SSI GPC CVI

Indirect mounting for series: TRB ITS CCL-IS MNI CSL-RD RPC ICS-D2 ICM KHZ

TRR

Certificates: ATEX CE declaration of conformity cULus RoHS UL (Underwriters Laboratories)

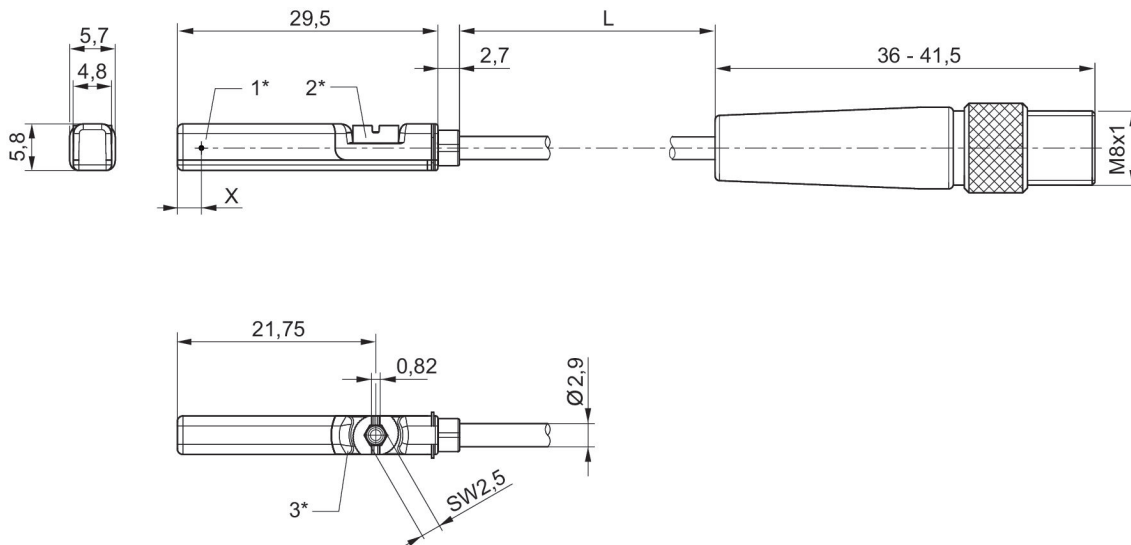
Ambient temperature min./max.: -20 °C ... 50 °C



Switch descr.	Cable sheath	Electrical interface 2	Number of poles	Max. DC switching current [A]	Min. operating voltage DC [V DC]	Max. operating voltage DC [V DC]	Version	Part No.
PNP	Polyurethane	M8x1	3-pin	0.1	10	30	short circuit resistant, Protected against polarity reversal	R412022860

Cable length L [m]	Part No.
0.3	R412022860

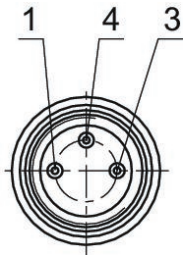
Dimensions



1* = switching point 2* = locking screw 3* = LED window, transparent
L = cable length
X = electronic: 11,6 mm, Reed: 8,3 mm

R412022860

Pin assignment M8x1 (3-pin)



Pin	Allocation
1	(+)
3	(-)
4	(OUT)

Sensors, Series ST6, plug M12x1, with knurled screw, ATEX

: 6 mm T-slot
: with cable

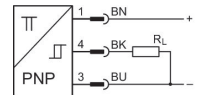
Direct mounting for series: PRA PRE CCI KPZ SSI GPC CVI

Indirect mounting for series: TRB ITS CCL-IS MNI CSL-RD RPC ICS-D2 ICM KHZ

TRR

Certificates: ATEX CE declaration of conformity cULus RoHS UL (Underwriters Laboratories)

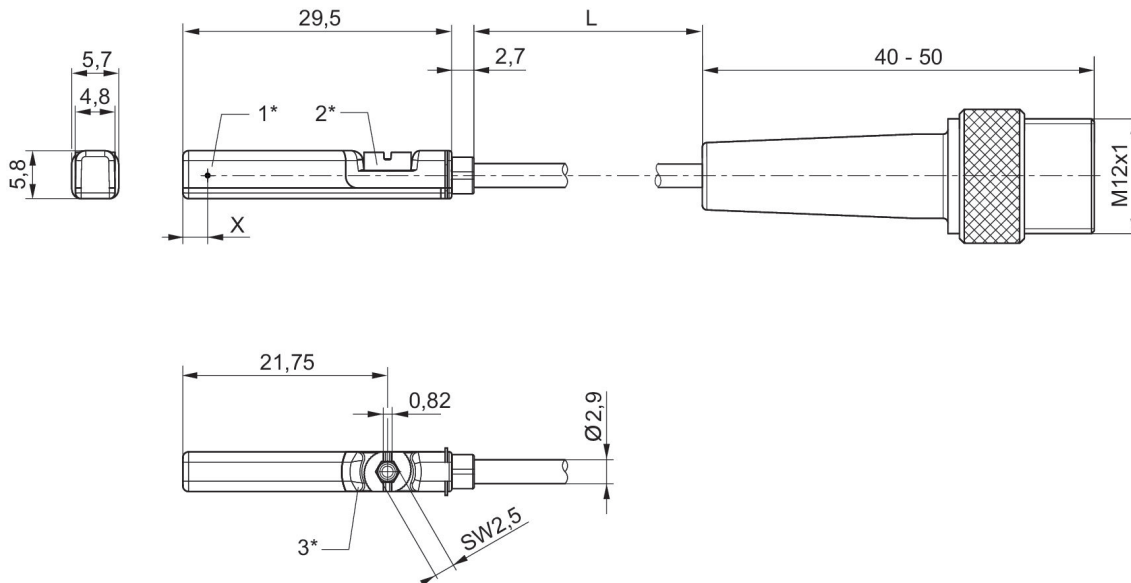
Ambient temperature min./max.: -20 °C ... 50 °C



Switch descr.	Cable sheath	Electrical interface 2	Number of poles	Max. DC switching current [A]	Min. operating voltage DC [V DC]	Max. operating voltage DC [V DC]	Version	Part No.
PNP	Polyurethane	M12x1	3-pin	0.1	10	30	short circuit resistant, Protected against polarity reversal	R412022864

Cable length L [m]	Part No.
0.3	R412022864

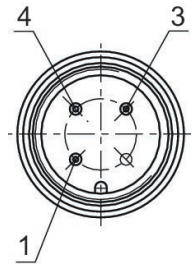
Dimensions



1* = switching point 2* = locking screw 3* = LED window, transparent
L = cable length
X = PNP: 11,6 mm, reed: 8,3 mm

R412022864

Pin assignments



Pin	Allocation
1	(+)
3	(-)
4	(OUT)

Sensors, Series ST6, open cable ends, 3-pin, PNP, ATEX

: 6 mm T-slot
: with cable

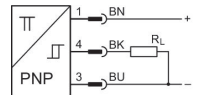
Direct mounting for series: PRA PRE CCI KPZ SSI GPC CVI

Indirect mounting for series: TRB ITS CCL-IS MNI CSL-RD RPC ICS-D2 ICM KHZ

TRR

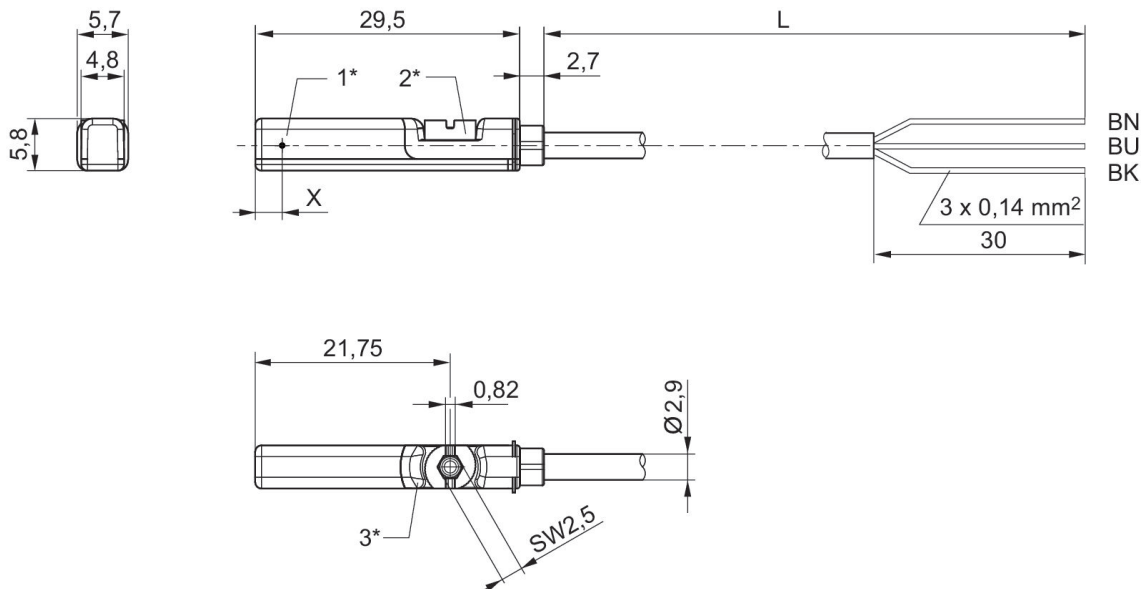
Certificates: ATEX CE declaration of conformity cULus RoHS UL (Underwriters Laboratories)

Ambient temperature min./max.: -20 °C ... 50 °C



Switch descr.	Cable sheath	Number of poles	Max. DC switching current [A]	Min. operating voltage DC [V DC]	Max. operating voltage DC [V DC]	Version	Cable length L [m]	Part No.
PNP	Polyurethane	3-pin	0.1	10	30	short circuit resistant, Protected against polarity reversal	3	R412022854
PNP	Polyurethane	3-pin	0.1	10	30	short circuit resistant, Protected against polarity reversal	5	R412022856

Dimensions



1* = switching point 2* = locking screw 3* = LED window, transparent
L = cable length BN = brown, BK = black, BU = blue
X = electronic: 11.6 mm

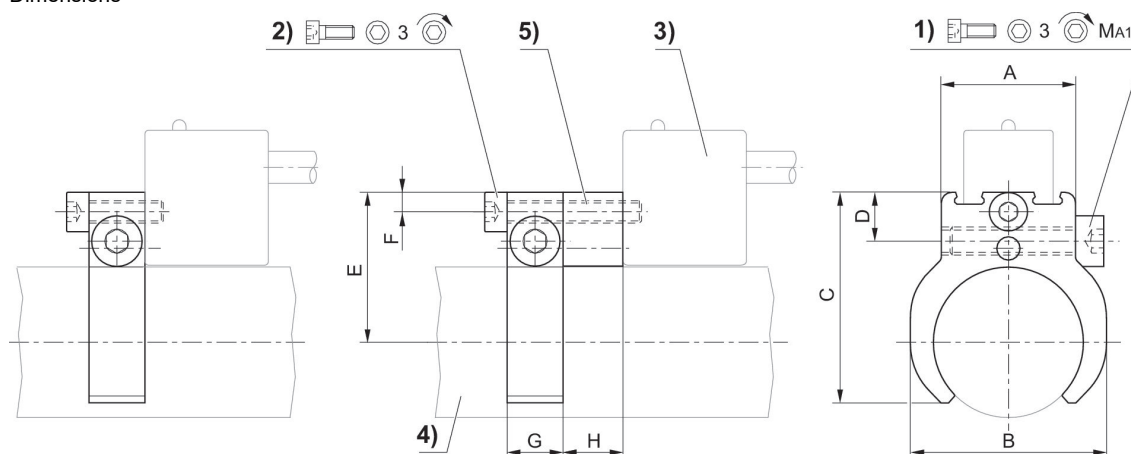
Sensor mounting

To mount on series: SN2



Min. cylinder Ø [mm]	Max. cylinder Ø [mm]	Material	Part No.
32	32	Aluminum	1827020142
40	40	Aluminum	1827020143
50	50	Aluminum	1827020144
63	63	Aluminum	1827020266

Dimensions



1) Clamping screw 2) Mounting screw for sensor 3) Sensor 4) Cylinder profile 5) Insert (on request)

Cylinders Ø mm	Part No.	A	B	C	D	E	F	G	H
10	1827020065	16	16	23.5	8.2	18.7	3.5	10	10.7
12	1827020066	16	20	25.5	8.2	19.9	3.5	10	10.7
16	1827020067	20	24	29.7	8.7	21.9	3.5	10	10.7
20	1827020068	20	28	33	8.7	24.1	3.5	10	10.7
25	1827020069	24	35	37.5	8.7	26.6	3.5	10	10.7

Cylinders Ø mm	1)	MA1 [Nm]
10	M4x14	1 +0,3
12	M4x14	1 +0,3
16	M4x25	1 +0,3
20	M4x25	1 +0,3
25	M4x25	1 +0,3

Sensor mounting, Series CB1

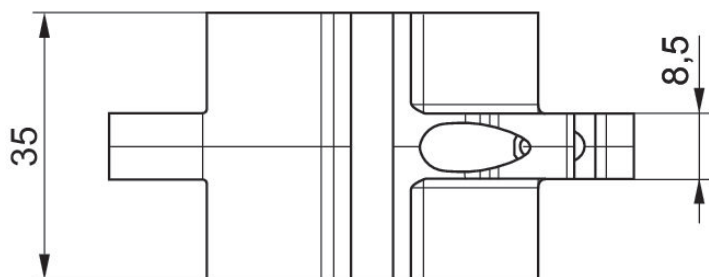
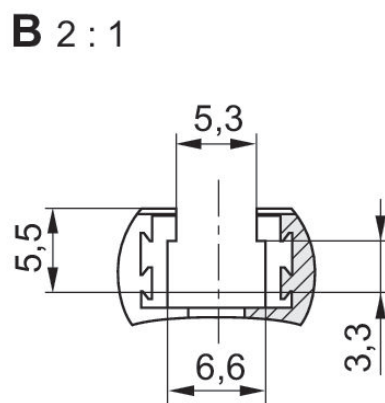
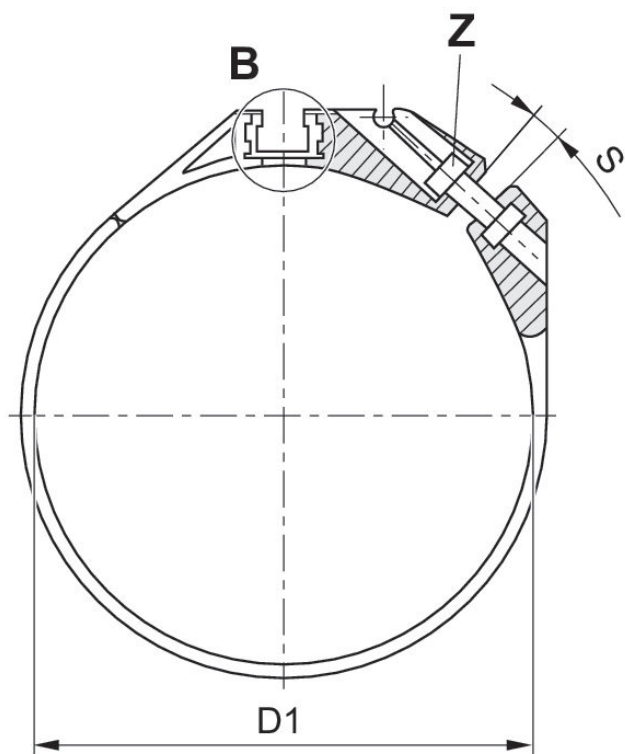
To mount on series: ST6

To mount on series: RPC



Min. cylinder Ø [mm]	Max. cylinder Ø [mm]	Material	Part No.
32	32	Polyoxymethylene, Aluminum	R412025665
40	40	Polyoxymethylene, Aluminum	R412025666
50	50	Polyoxymethylene, Aluminum	R412025667
63	63	Polyoxymethylene, Aluminum	R412025668

Dimensions



Part No.	D1	S	Z
R412025665	34	35	ISO 4762 - M3 x 10 A2
R412025666	42	43	ISO 4762 - M3 x 12 A2
R412025667	52,9	54	ISO 4762 - M3 x 12 A2
R412025668	65	66	ISO 4762 - M3 x 12 A2

S = recommended max. spread width [mm]

Sensor mounting, Series CB1

To mount on series: ST6

To mount on series: CSL-RD ICM ICS-D1 ICS-D2 RPC



Fig. B

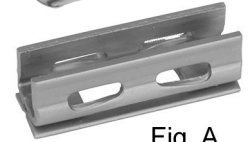
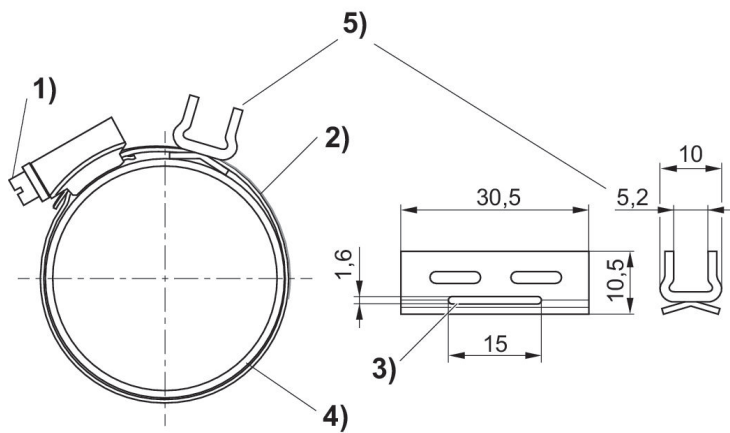


Fig. A

Min. cylinder Ø [mm]	Max. cylinder Ø [mm]	Material	Fig.	Part No.
25	32	Stainless Steel	Fig. B	R412024050
40	40	Stainless Steel	Fig. B	R412024051
50	50	Stainless Steel	Fig. B	R412024052
63	63	Stainless Steel	Fig. B	R412024053
25	63	Stainless Steel	Fig. A	R412024054

Dimensions



1) Mounting screw 2) Tightening strap 3) Opening for tightening strap 4) Cylinder tube 5) Sensor holder

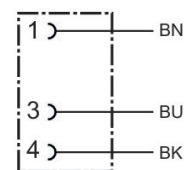
Part No.	Cylinder tube Ø	For series	Fig.
R412024050	25 - 32 mm	ST6	Fig. B
R412024051	40 mm	ST6	Fig. B
R412024052	50 mm	ST6	Fig. B
R412024053	63 mm	ST6	Fig. B
R412024054	25 - 63 mm	ST6	Fig. A

Round plug connector, Series CON-RD

Electrical connection 1: Socket ... M8x1 ... 3-pin ... angled

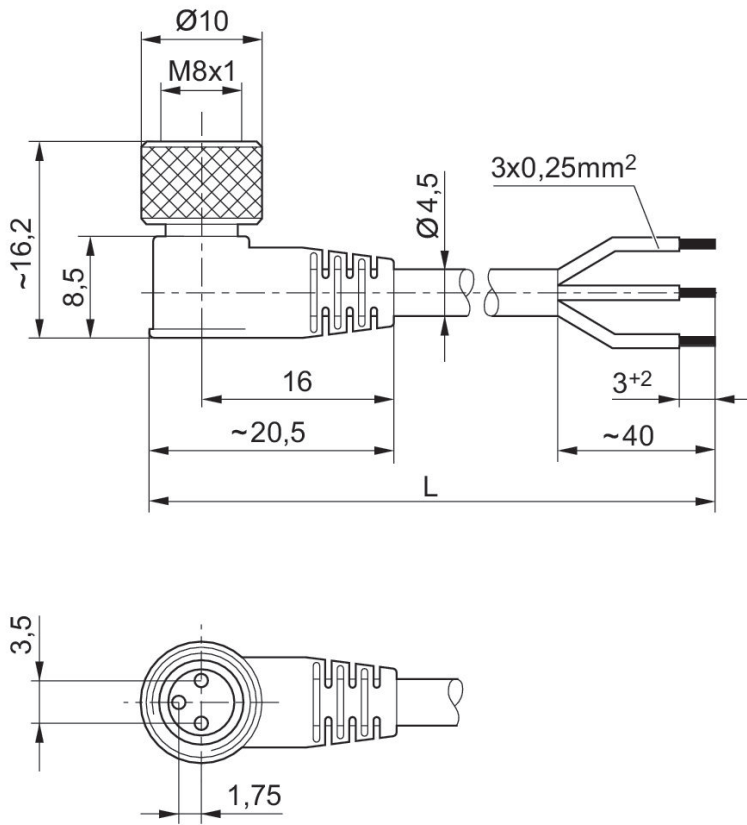
Electrical connection 2: open cable ends ... 3-pin

Ambient temperature min./max.: -40 °C ... 85 °C



Operational voltage	Electrical connection 1, type	Electrical connection 1, thread size	Electrical connection 1, number of poles	Electrical connection 1, coding	Electrical connection 2, type	Electrical connection 2, number of poles	Cable length [m]	Part No.
48 V AC/DC	Socket	M8x1	3-pin	A-coded	open cable ends	3-pin	3	1834484167
48 V AC/DC	Socket	M8x1	3-pin	A-coded	open cable ends	3-pin	5	1834484169
48 V AC/DC	Socket	M8x1	3-pin	A-coded	open cable ends	3-pin	10	1834484248

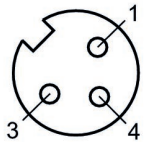
Dimensions



L = length

1834484167, 1834484169, 1834484248

Pin assignment, socket



(1) BN=brown (3) BU=blue (4) BK=black

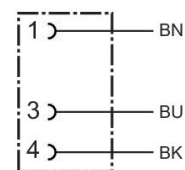
Round plug connector, Series CON-RD

Electrical connection 1: Socket ... M8x1 ... 3-pin ... straight

Electrical connection 2: open cable ends ... 3-pin

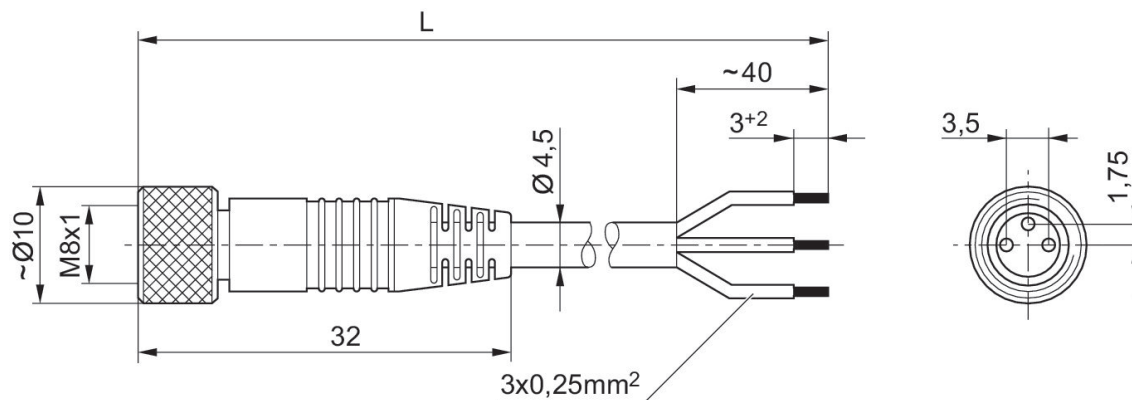
Certification: UL (Underwriters Laboratories)

Ambient temperature min./max.: -25 °C ... 85 °C



Operational voltage	Electrical connection 1, type	Electrical connection 1, thread size	Electrical connection 1, number of poles	Electrical connection 1, coding	Electrical connection 2, type	Electrical connection 2, number of poles	Cable length [m]	Part No.
48 V AC/DC	Socket	M8x1	3-pin	A-coded	open cable ends	3-pin	3	1834484166
48 V AC/DC	Socket	M8x1	3-pin	A-coded	open cable ends	3-pin	5	1834484168
48 V AC/DC	Socket	M8x1	3-pin	A-coded	open cable ends	3-pin	10	1834484247

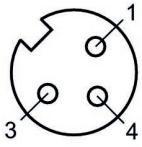
Dimensions



L = length

1834484166, 1834484168, 1834484247

Pin assignment, socket



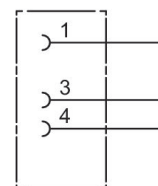
(1) BN=brown (3) BU=blue (4) BK=black

Round plug connector, Series CON-RD

Electrical connection 1: Socket ... M8x1 ... 3-pin ... angled

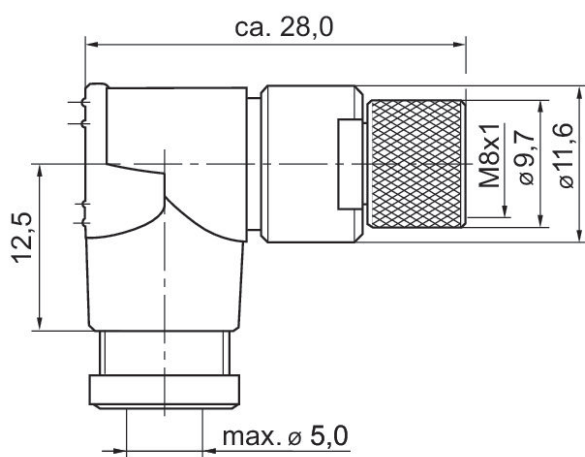
Connection type: Soldering

Ambient temperature min./max.: -25 °C ... 80 °C



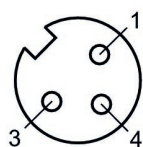
Operational voltage	Coding	Shielding	Connection type	Max. current [A]	min. suitable cable Ø [mm]	max. suitable cable Ø [mm]	Part No.
48 V AC/DC	A-coded	unshielded	Soldering	4	3.5	5	1834484174

Dimensions in mm



1834484174

Pin assignment, socket

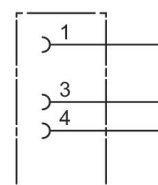


Round plug connector, Series CON-RD

Electrical connection 1: Socket ... M8x1 ... 3-pin ... straight

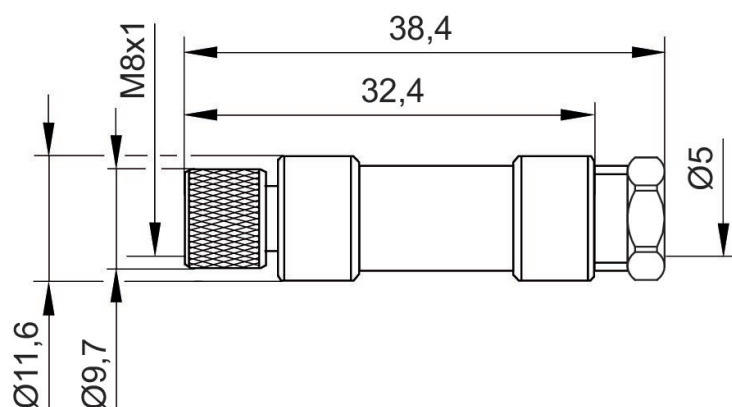
Connection type: Soldering

Ambient temperature min./max.: -25 °C ... 80 °C



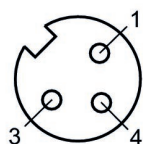
Operational voltage	Coding	Shielding	Connection type	Max. current [A]	min. suitable cable Ø [mm]	max. suitable cable Ø [mm]	Part No.
48 V AC/DC	A-coded	unshielded	Soldering	4	3.5	5	1834484173

Dimensions



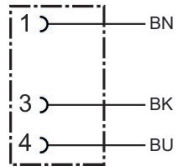
1834484173

Pin assignment, socket



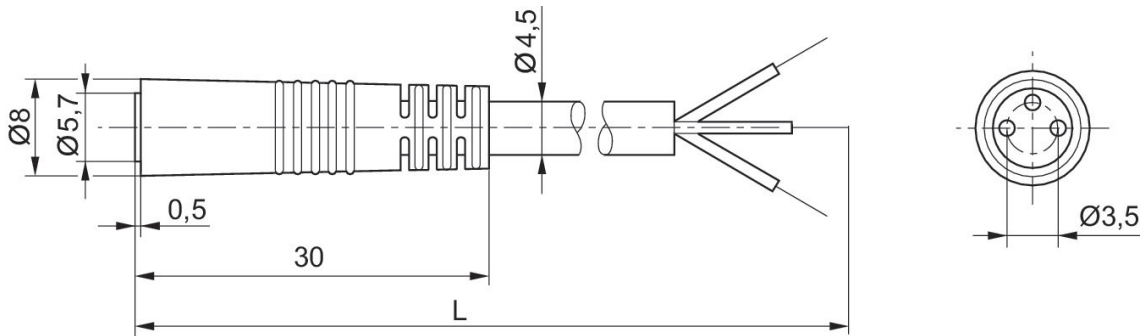
Round plug connector, Series CON-RD

Electrical connection 1: Socket ... Snap Ø8 ... 3-pin ... straight
Electrical connection 2: without wire end ferrule, tin-plated ... 3-pin



Operational voltage	Electrical connection 1, type	Electrical connection 1, thread size	Electrical connection 1, number of poles	Electrical connection 2, type	Electrical connection 2, number of poles	Cable length [m]	Part No.
48 V AC/DC	Socket	Snap Ø8	3-pin	open cable ends	3-pin	2.5	8946016112

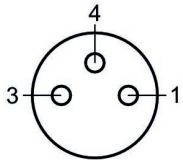
Dimensions



L = length

8946016112

Pin assignment, socket



(1) BN=brown (2) BK=black (3) BU=blue

Silencers, series SI1, Sintered bronze

Compressed air connection type: External thread

Silencer material: Sintered bronze

Min. ambient temperature: -25 °C

Max. ambient temperature: 80 °C

Min. working pressure: 0 bar

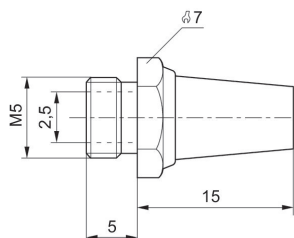
Max. working pressure: 10 bar



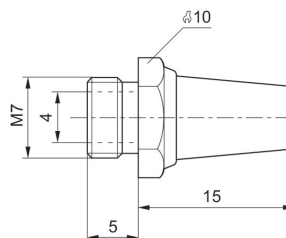
G	Sound pressure level [dB]	Nominal flow [l/min]	Delivery unit [piece]	Weight [kg]	Part No.
M5	72	398	10	0.004	1827000006
M7			10	0.005	8140000700
M10x1	75	1747	1	0.011	5324001110
M12x1,5	80	3049	1	0.019	5324001170
M14x1,5	80	3390	1	0.018	5324001120
M22x1,5	85	7223	1	0.071	5324001140
G 1/8	75	1623	10	0.01	1827000000
G 1/4	98	5950	10	0.013	R412004817
G 1/4	79	3390	10	0.02	1827000001
G 3/8	84	6554	5	0.05	1827000002
G 1/2	90	7223	2	0.08	1827000003
G 3/4	92	8394	1	0.13	1827000004
G 1	102	12848	1	0.18	1827000005

1827000006

Dimensions in mm

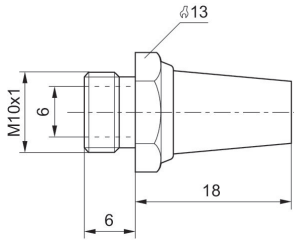
**8140000700**

Dimensions in mm



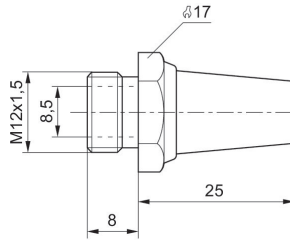
5324001110

Dimensions in mm



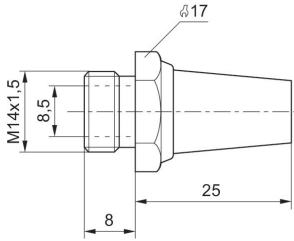
5324001170

Dimensions in mm



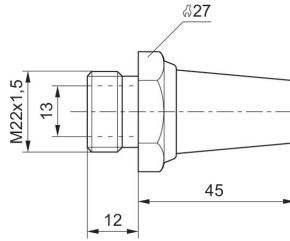
5324001120

Dimensions in mm



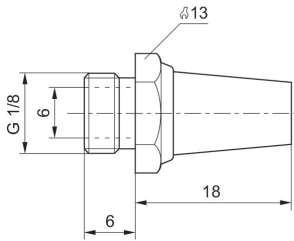
5324001140

Dimensions in mm



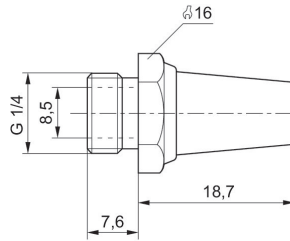
1827000000

Dimensions in mm



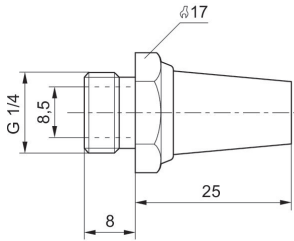
R412004817

Dimensions in mm



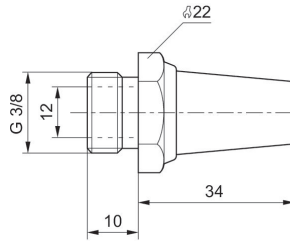
1827000001

Dimensions in mm



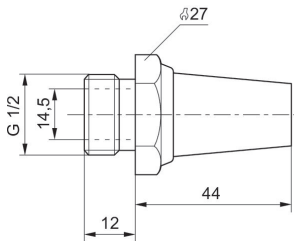
1827000002

Dimensions in mm



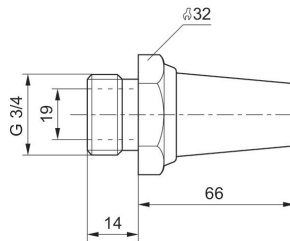
1827000003

Dimensions in mm



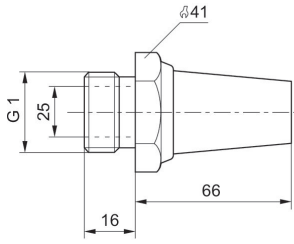
1827000004

Dimensions in mm



1827000005

Dimensions in mm



Silencers, series SI1, Sintered bronze

Compressed air connection type: External thread

Silencer material: Sintered bronze

Min. ambient temperature: -25 °C

Max. ambient temperature: 80 °C

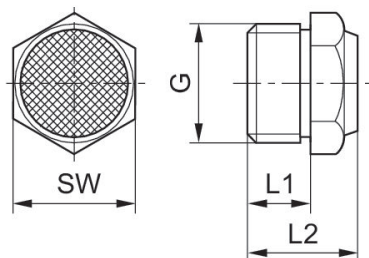
Min. working pressure: 0 bar

Max. working pressure: 10 bar



G	Sound pressure level [dB]	Nominal flow [l/min]	Delivery unit [piece]	Weight [kg]	Part No.
M5	79	252	10	0.005	1827000032
G 1/8	85	700	10	0.001	1827000031
G 1/4	88	1116	10	0.01	1827000033
G 3/8	90	1706	5	0.016	1827000034
G 1/2	85	2568	2	0.035	1827000035
G 3/4	82	3260	1	0.095	8145003400
G 1	82	9485	1	0.057	8145001000

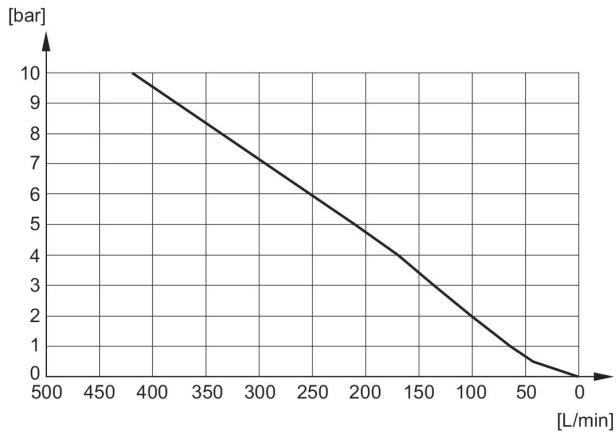
Dimensions



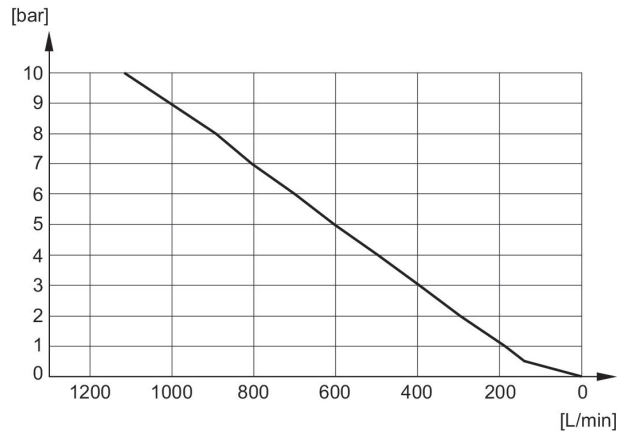
Part No.	Port G	L1	L2	SW
1827000032	M5	5	10.3	7
1827000031	G 1/8	6	11.5	13
1827000033	G 1/4	8	13.5	17
1827000034	G 3/8	10	17.5	22
1827000035	G 1/2	12	19.5	27
8145003400	G 3/4	14	22.5	32
8145001000	G 1	16	22.5	41

Sound pressure level measured at 6 bar at 1 m distance

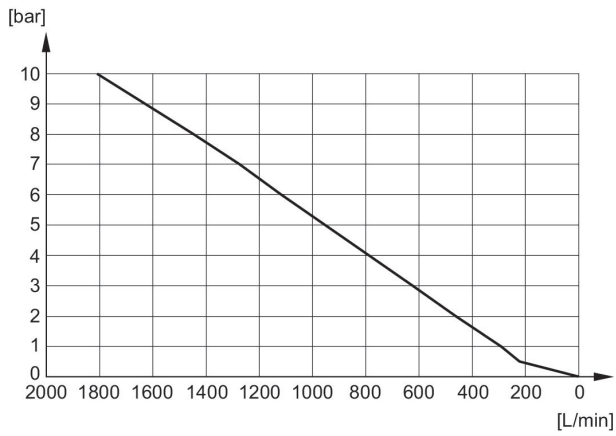
Flow diagram 1827000032



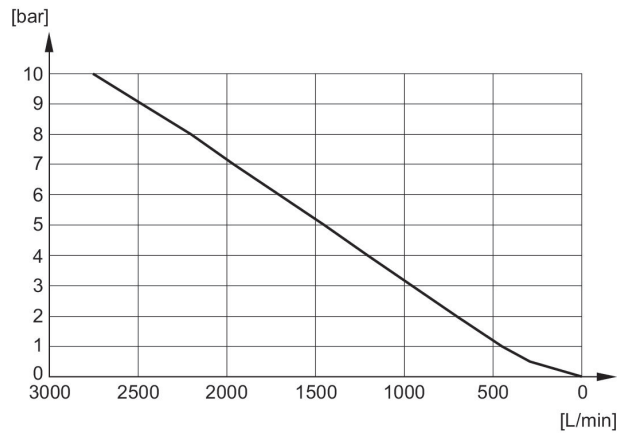
Flow diagram 1827000031



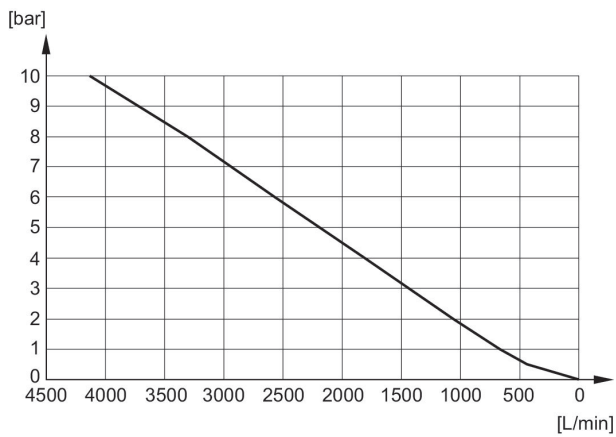
Flow diagram 1827000033



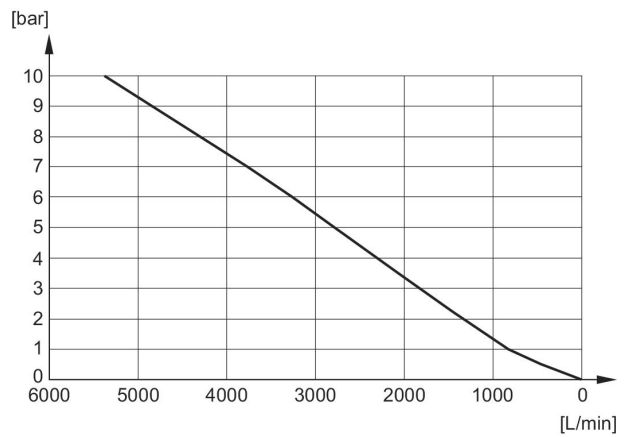
Flow diagram 1827000034



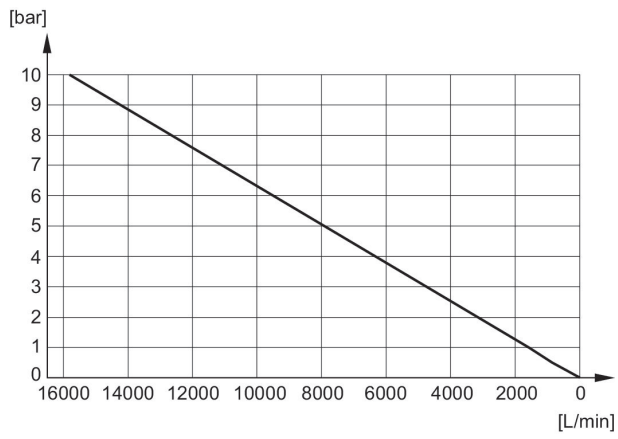
Flow diagram 1827000035



Flow diagram 8145003400







Flow diagram 8145001000



Efficient pneumatic solutions, our program:
cylinders and drives, valves and valve systems,
air supply management, proportional pressure
control valves



Visit us: www.Emerson.com/aventics
Your local contact: Emerson.com/contactus

-  Emerson.com
-  Facebook.com/EmersonAutomationSolutions
-  LinkedIn.com/company/Emerson-Automation-Solutions
-  Twitter.com/EMR_Automation



The Emerson logo is a trademark and service mark of Emerson Electric Co. AVENTICS is a registered trademark of one of the Emerson family of companies. All other trademarks are the property of their respective owners. © 2020 Emerson Electric Co. All rights reserved.



CONSIDER IT SOLVED™