

# Safety valves



AVENTICS Safety valves



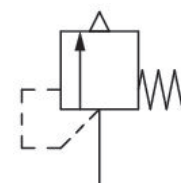
## Product overview

### **Safety valves**

	Page
Series RV1..... uncollected exhaust	4
Series RV2..... With directional exhaust (3/5)	9

**Series RV1**

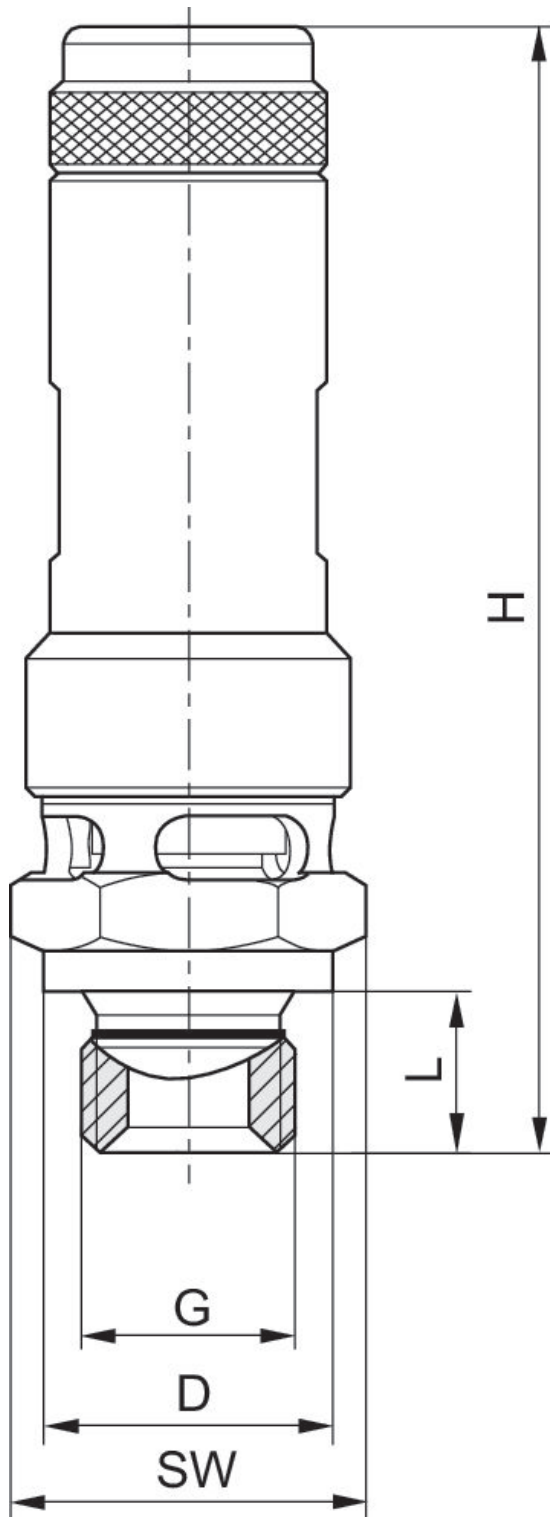
Compressed air connection: External thread  
 Certificates: CE declaration of conformity  
 Ambient temperature min./max.: -20 °C ... 100 °C  
 Working pressure min./max.: 0 bar ... 20 bar



Compressed air connection 1	Nominal flow Qn 1 to 2 [l/min]	Opening pressure of valve [bar]	Housing material	Part No.
G 1/4	676	0.8	Brass	R412007521
G 1/4	996	1.5	Brass	R412007522
G 1/4	1219	2	Brass	R412007523
G 1/4	1872	3.5	Brass	R412007524
G 1/4	2084	4	Brass	R412007525
G 1/4	2424	4.8	Brass	R412007526
G 1/4	2933	6	Brass	R412007527
G 1/4	3783	8	Brass	R412007528
G 1/4	4632	10	Brass	R412007529
G 1/4	5056	11	Brass	R412007530
G 1/4	6755	15	Brass	R412007531
G 1/4	7179	16	Brass	R412007532
G 3/8	2194	2	Brass	R412007533
G 3/8	3567	3.7	Brass	R412007534
G 3/8	3799	4	Brass	R412007535
G 3/8	4573	5	Brass	R412007721
G 3/8	5347	6	Brass	R412007536
G 3/8	5966	6.8	Brass	R412007537
G 3/8	6895	8	Brass	R412007538
G 3/8	8443	10	Brass	R412007539
G 3/8	9217	11	Brass	R412007540
G 3/8	13087	16	Brass	R412007541
G 1/2	1115	0.4	Brass	R412007542
G 1/2	3613	2.9	Brass	R412007720

Compressed air connection 1	Nominal flow Qn 1 to 2 [l/min]	Opening pressure of valve [bar]	Housing material	Part No.
G 1/2	4182	3.5	Brass	R412007690
G 1/2	4656	4	Brass	R412007691
G 1/2	5604	5	Brass	R412007692
G 1/2	6142	5.5	Brass	R412007699
G 1/2	6553	6	Brass	R412007696
G 1/2	7101	6.5	Brass	R412007702
G 1/2	7501	7	Brass	R412007698
G 1/2	8449	8	Brass	R412007697
G 1/2	9018	8.5	Brass	R412007693
G 1/2	9398	9	Brass	R412007694
G 1/2	10346	10	Brass	R412007700
G 1/2	10934	10.5	Brass	R412007701
G 1/2	11295	11	Brass	R412007695
G 1/2	12243	12	Brass	R412007703
G 1/2	16037	16	Brass	R412007543
G 3/4	2627	0.5	Brass	R412007544
G 3/4	3783	1	Brass	R412007684
G 3/4	8737	3.5	Brass	R412007545
G 3/4	13690	6	Brass	R412007546
G 3/4	14754	6.5	Brass	R412007547
G 3/4	17653	8	Brass	R412007548
G 3/4	21616	10	Brass	R412007549
G 3/4	23598	11	Brass	R412007550
G 3/4	26570	12.5	Brass	R412007551
G 3/4	33505	16	Brass	R412007552

Dimensions



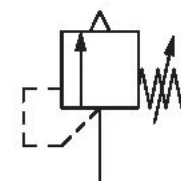
G = connection 1

Part No.	Port G	Ø D	H	L	SW	T [Nm]	NW
R412007521	G 1/4	18	69	10	19	30	8
R412007522	G 1/4	18	69	10	19	30	8
R412007523	G 1/4	18	69	10	19	30	8
R412007524	G 1/4	18	69	10	19	30	8
R412007525	G 1/4	18	69	10	19	30	8
R412007526	G 1/4	18	69	10	19	30	8
R412007527	G 1/4	18	69	10	19	30	8
R412007528	G 1/4	18	69	10	19	30	8
R412007529	G 1/4	18	69	10	19	30	8
R412007530	G 1/4	18	69	10	19	30	8
R412007531	G 1/4	18	69	10	19	30	8
R412007532	G 1/4	18	69	10	19	30	8
R412007533	G 3/8	22	75	10	24	40	10
R412007534	G 3/8	22	75	10	24	40	10
R412007535	G 3/8	22	75	10	24	40	10
R412007721	G 3/8	22	75	10	24	40	10
R412007536	G 3/8	22	75	10	24	40	10
R412007537	G 3/8	22	75	10	24	40	10
R412007538	G 3/8	22	75	10	24	40	10
R412007539	G 3/8	22	88	10	24	40	10
R412007540	G 3/8	22	88	10	24	40	10
R412007541	G 3/8	22	88	10	24	40	10
R412007542	G 1/2	26	78	12	27	50	15
R412007720	G 1/2	26	78	12	27	50	15
R412007690	G 1/2	26	78	12	27	50	15
R412007691	G 1/2	26	78	12	27	50	15
R412007692	G 1/2	26	78	12	27	50	15
R412007699	G 1/2	26	78	12	27	50	15
R412007696	G 1/2	26	78	12	27	50	15
R412007702	G 1/2	26	78	12	27	50	15
R412007698	G 1/2	26	78	12	27	50	15
R412007697	G 1/2	26	77.5	12	27	50	15
R412007693	G 1/2	26	91	12	27	50	15
R412007694	G 1/2	26	91	12	27	50	15
R412007700	G 1/2	26	91	12	27	50	15
R412007701	G 1/2	26	91	12	27	50	15
R412007695	G 1/2	26	91	12	27	50	15
R412007703	G 1/2	26	91	12	27	50	15
R412007543	G 1/2	26	91	12	27	50	15
R412007544	G 3/4	32	106	12	30	60	20
R412007684	G 3/4	32	106	12	30	60	20
R412007545	G 3/4	32	106	12	30	60	20
R412007546	G 3/4	32	106	12	30	60	20
R412007547	G 3/4	32	106	12	30	60	20
R412007548	G 3/4	32	106	12	30	60	20
R412007549	G 3/4	32	116	12	30	60	20
R412007550	G 3/4	32	116	12	30	60	20
R412007551	G 3/4	32	116	12	30	60	20
R412007552	G 3/4	32	116	12	30	60	20

NW = nominal width

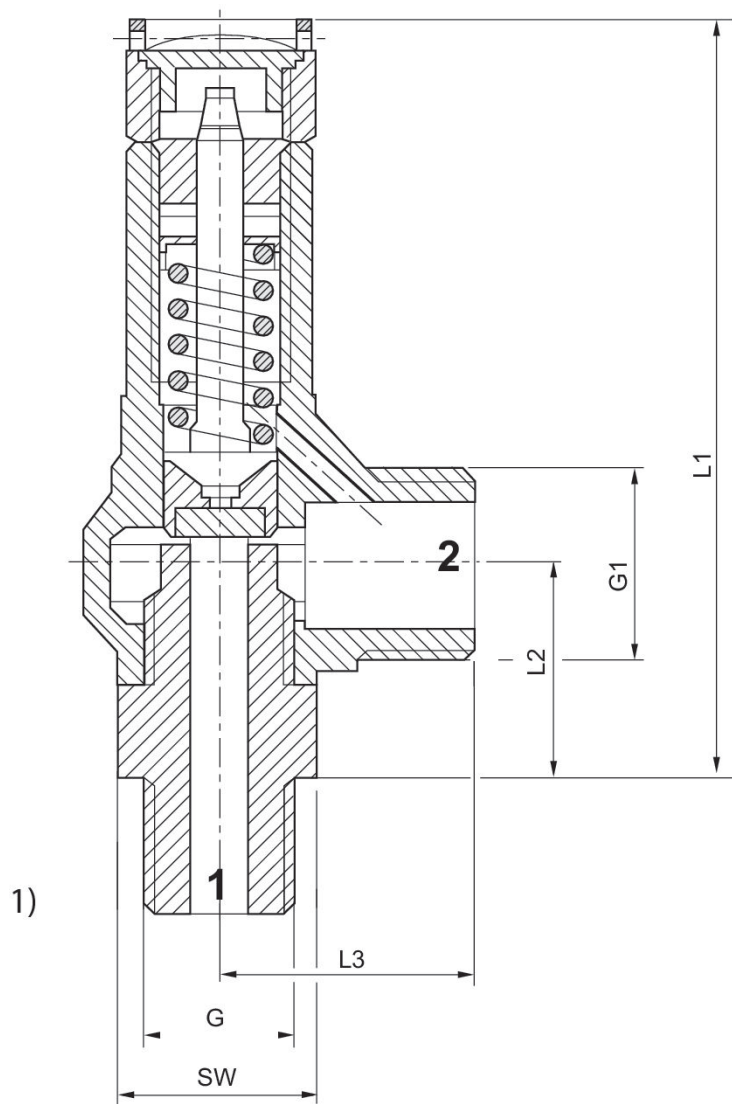
**Series RV2**

Compressed air connection: External thread  
 Certificates: CE declaration of conformity  
 Ambient temperature min./max.: -20 °C ... 100 °C  
 Working pressure min./max.: 0 bar ... 20 bar



Compressed air connection 1	Compressed air connection 2	Nominal flow Qn 1 to 2 [l/min]	Opening pressure of valve [bar]	Housing material	Part No.
G 3/8	G 1/2	1833	4	Brass	R412007567
G 3/8	G 1/2	2216	5	Brass	R412007722
G 3/8	G 1/2	4090	10	Brass	R412007704
G 1/2	G 3/4	6723	8	Brass	R412007558
G 1/2	G 3/4	12759	16	Brass	R412007561
G 3/4	G 1	13874	8	Brass	R412007563

Dimensions



1) Flow direction: 1 to 2





Part No.	Port G	G1	L1	L2	L3	SW	T [Nm]	NW
R412007567	G 3/8	G 1/2	85	23.5	29	22	40	7
R412007722	G 3/8	G 1/2	85	23.5	29	22	40	7
R412007704	G 3/8	G 1/2	85	23.5	29	22	40	7
R412007558	G 1/2	G 3/4	105	30	32	25	65	10
R412007561	G 1/2	G 3/4	105	30	32	25	65	10
R412007563	G 3/4	G 1	136	37	45	35	160	14

T = recommended torque  
NW = nominal width

Efficient pneumatic solutions, our program:  
cylinders and drives, valves and valve systems,  
air supply management, proportional pressure  
control valves



Visit us: [www.Emerson.com/aventics](http://www.Emerson.com/aventics)  
Your local contact: [Emerson.com/contactus](http://Emerson.com/contactus)

-  [Emerson.com](http://Emerson.com)
-  [Facebook.com/EmersonAutomationSolutions](https://Facebook.com/EmersonAutomationSolutions)
-  [LinkedIn.com/company/Emerson-Automation-Solutions](https://LinkedIn.com/company/Emerson-Automation-Solutions)
-  [Twitter.com/EMR\\_Automation](https://Twitter.com/EMR_Automation)



The Emerson logo is a trademark and service mark of Emerson Electric Co. AVENTICS is a registered trademark of one of the Emerson family of companies. All other trademarks are the property of their respective owners. © 2020 Emerson Electric Co. All rights reserved.



**CONSIDER IT SOLVED™**