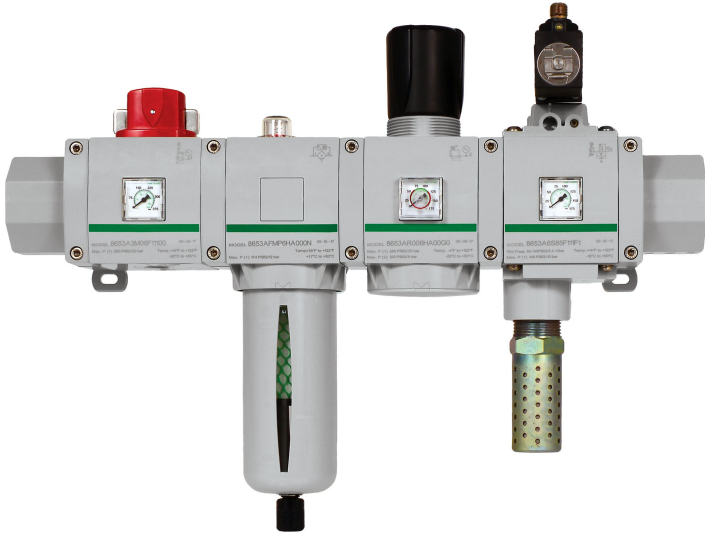


# Series 651



AVENTICS™

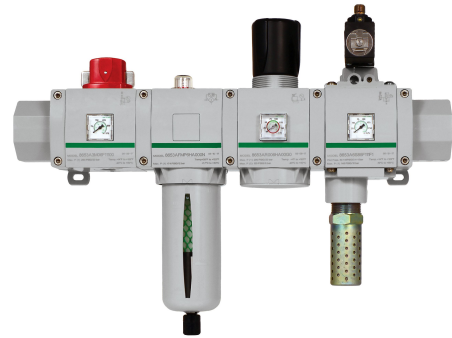
AVENTICS Series 651 Air Preparation Units



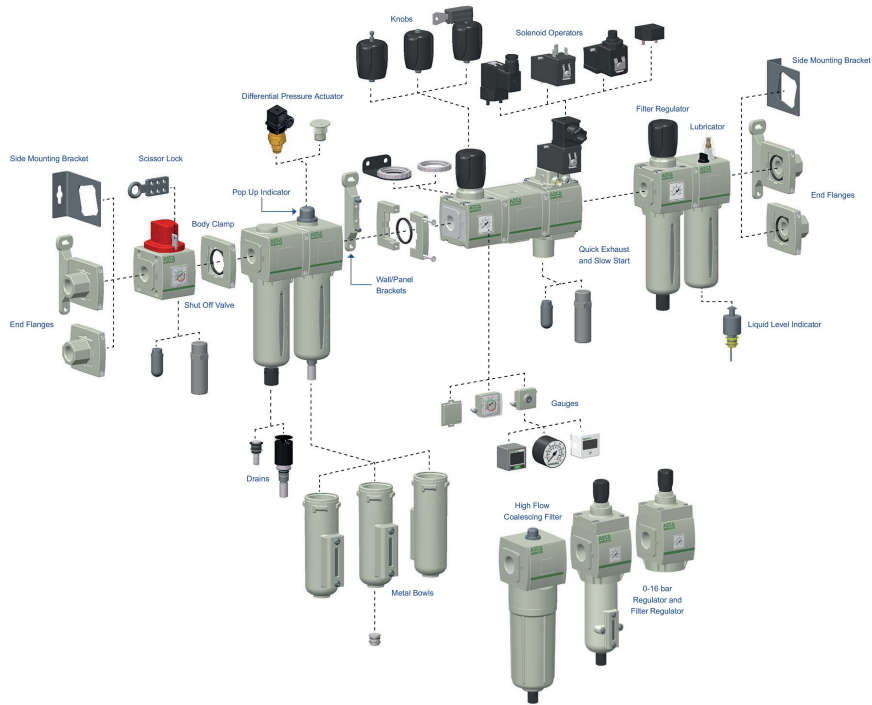
## Series 651

The AVENTICS Series 651 is an easy-to-install line of pneumatic filters, regulators and lubricators (FRLs) that offer the industry's highest flow rates and widest temperature ratings. Available in 1/8-inch, and 1/4-inch port sizes, these FRLs are ideal for automotive and tire, packaging, food and beverage, and process applications requiring highly reliable operation and robust, modern-looking equipment.

- The industry's highest flow rates assure OEMs and maintenance managers that their air preparation products will optimize machine performance.
- Extended high- and low-temperature capabilities (-40° C to 80° C) allow the FRLs to be specified across a broad range of applications, including those within harsh environments
- New manifold endplate flanges allow the maintenance technician to pull the manifold assembly out of service without disconnecting the piping
- Front-facing easy-to-read, low-profile gauges improve serviceability. They are the only products of their type to offer these gauges on shut-off isolation valves and slow-start/quick-exhaust valves
- Optional pressure regulator with reverse flow check permits placement of the regulator between the valve and cylinder - allowing air to be exhausted through the regulator without causing damage or reduced life
- Optional integrated pressure range indicators allow the user to easily set the red/green colour indicators to the desired pressure range



**Accessories overview**

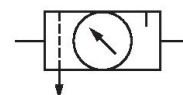


## Product overview

	Page
<b>Series 651</b>	
Air preparation unit, 2-part, Series 651.....	5
Filter pressure regulator Lubricator	
Air preparation unit, 3-part, Series 651.....	8
Shut-off valve Filter pressure regulator Filling valve	
Air preparation unit, 3-part, Series 651, Lubricator.....	10
Shut-off valve Filter pressure regulator Lubricator	
Pressure regulator, Series 651.....	12
Filter pressure regulator, Series 651.....	15
Filter, Series 651.....	19
Standard oil-mist lubricator, Series 651.....	24
3/2-directional valve, electrically operated, Series 651.....	27
Filling unit, electrically operated, Series 651.....	30
3/2-shut-off valve, mechanically operated, Series 651.....	33
Distributor, Series 651.....	36
<b>Accessories 651</b>	
Mounting bracket, Series 651.....	39
Mounting clip.....	40
End plate kit.....	41
Filter element.....	42
Panel nut and bracket.....	44
Block assembly kit.....	45
Body-to-body assembly clamps	

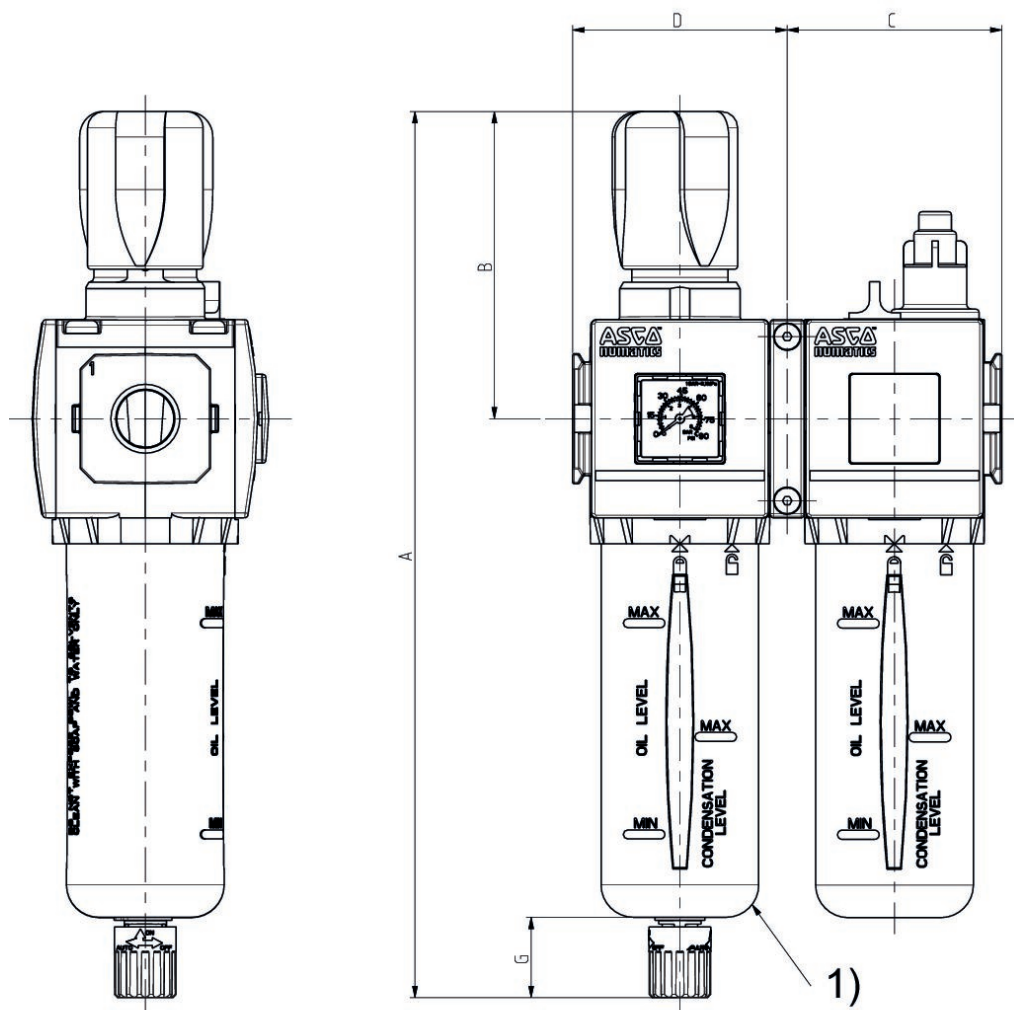
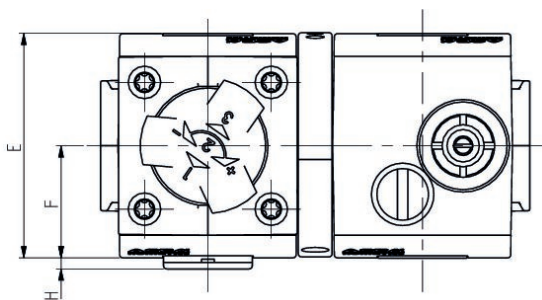
**Air preparation unit, 2-part, Series 651**

Parts: Air preparation units  
Parts: Filter pressure regulator Lubricator



Port	Filter porosity [µm]	Condensate drain	Reservoir	Part No.
G 1/8	25	semi-automatic, open without pressure	Reservoir polycarbonate	A651A0000000400
G 1/4	25	semi-automatic, open without pressure	Reservoir polycarbonate	A651A0000000401

Dimensions

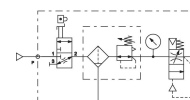


1) 1) Reservoir

Series	651
A	241
B	77
C	50
D	50
E	56
F	29
G	25
H	3,5

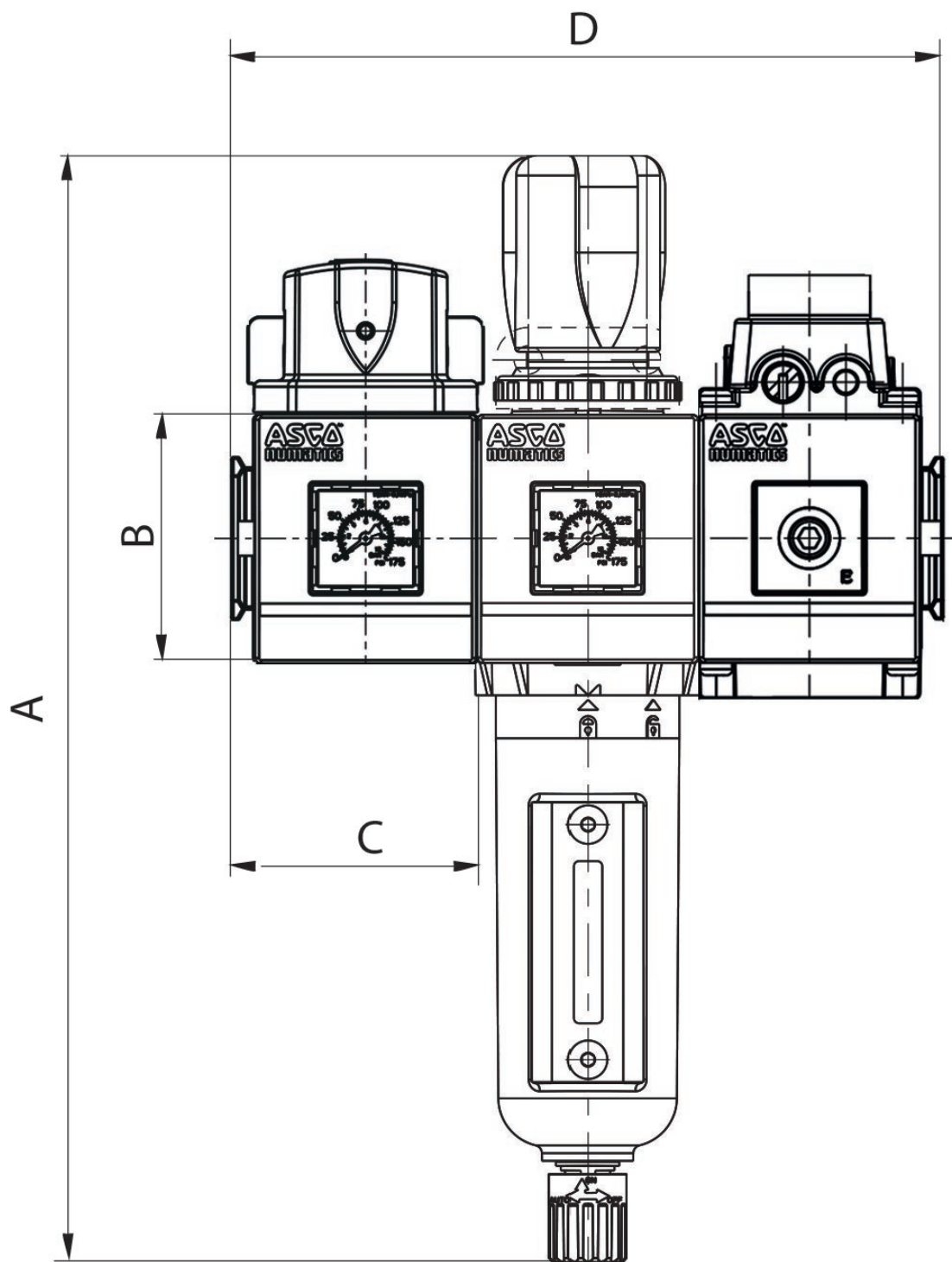
**Air preparation unit, 3-part, Series 651**

Parts: Air preparation units  
 Parts: Shut-off valve Filter pressure regulator Filling valve  
 Certificates: ATEX optional



Port	Filter porosity [µm]	Condensate drain	Reservoir	Part No.
G 1/8	25	semi-automatic, open without pressure	Reservoir polycarbonate	A651A0000003635
G 1/4	25	semi-automatic, open without pressure	Reservoir polycarbonate	A651A0000003636

Dimensions

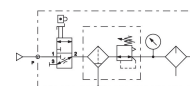


Series	651
A	241
B	56
C	50
D	150

**Air preparation unit, 3-part, Series 651, Lubricator**

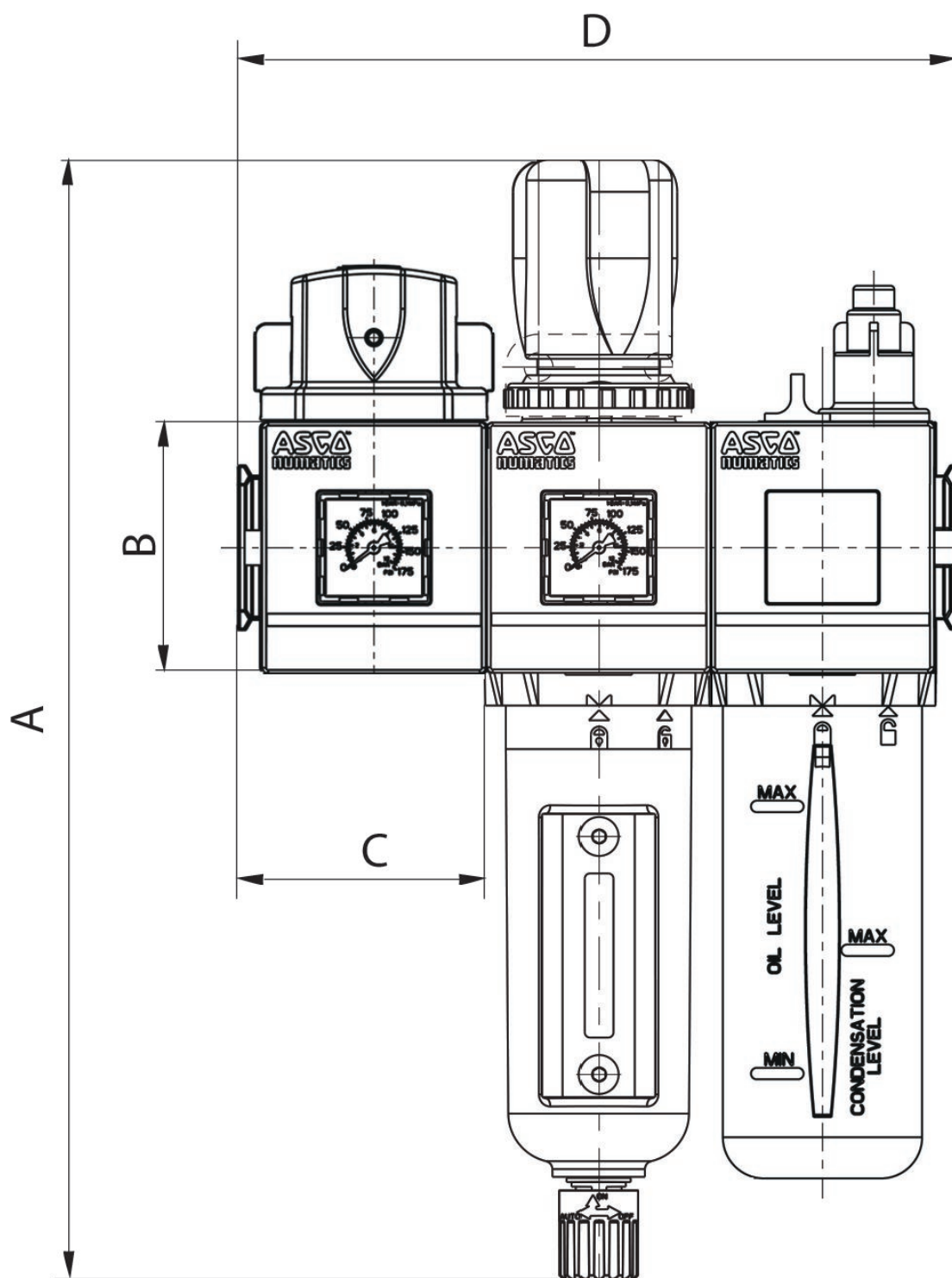
Parts: Air preparation units

Parts: Shut-off valve Filter pressure regulator Lubricator



Port	Filter porosity [µm]	Condensate drain	Reservoir	Part No.
G 1/8	25	semi-automatic, open without pressure	Reservoir polycarbonate	A651A0000003390
G 1/4	25	semi-automatic, open without pressure	Reservoir polycarbonate	A651A0000003391

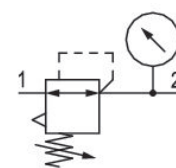
Dimensions



Series	651
A	241
B	56
C	50
D	150

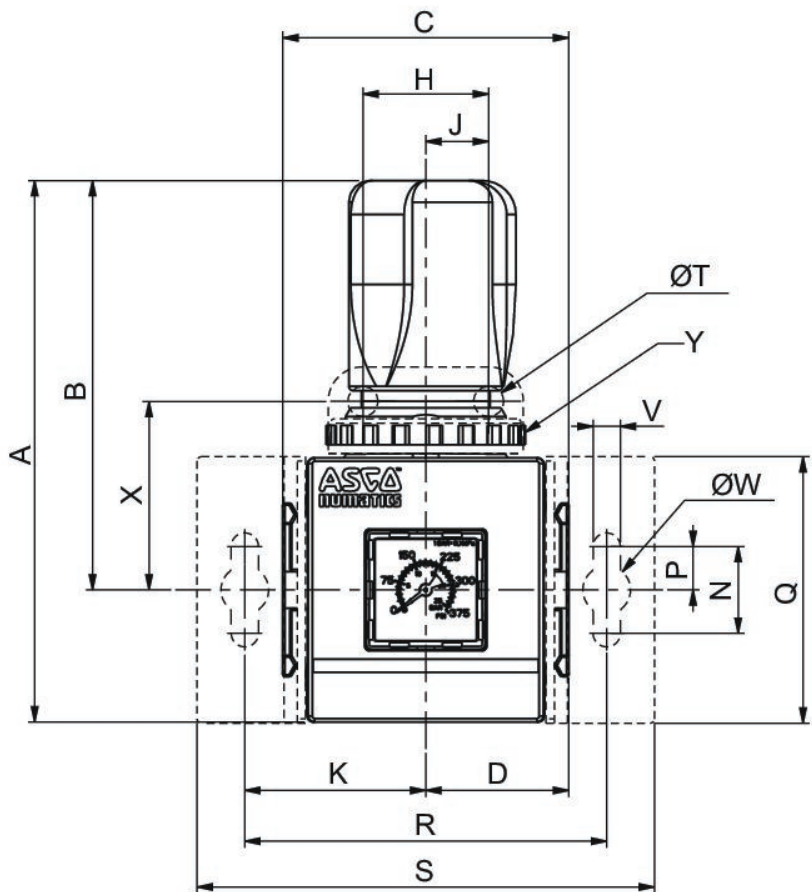
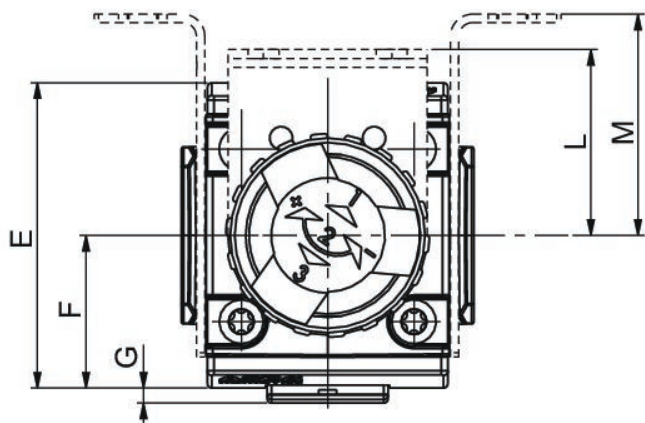
**Pressure regulator, Series 651**

Parts: Pressure regulator



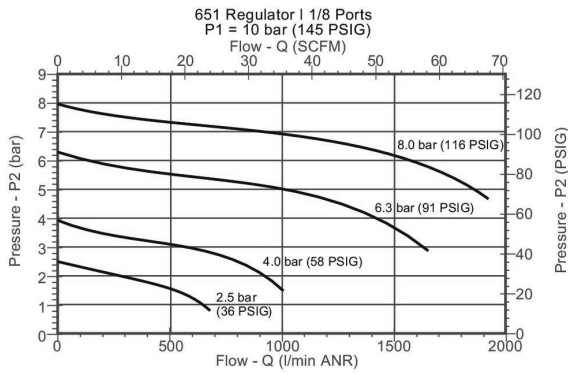
Port	Nominal flow [l/min]	Min. regulation range [bar]	Max. regulation range [bar]	Pressure gauge	Part No.
G 1/8	800	0.5	10	With integrated pressure gauge	G651AR001GA00H0
G 1/8	800	0.5	10	Transition plate for assembling a pressure gauge with connection thread G 1/8	G651AR001PA00H0
G 1/8	800	0.5	10	with pressure gauge	G651AR001QA00H0
G 1/4	2060	0.5	10	With integrated pressure gauge	G651AR002GA00H0
G 1/4	2060	0.5	10	Transition plate for assembling a pressure gauge with connection thread G 1/8	G651AR002PA00H0
G 1/4	2060	0.5	10	with pressure gauge	G651AR002QA00H0

Dimensions

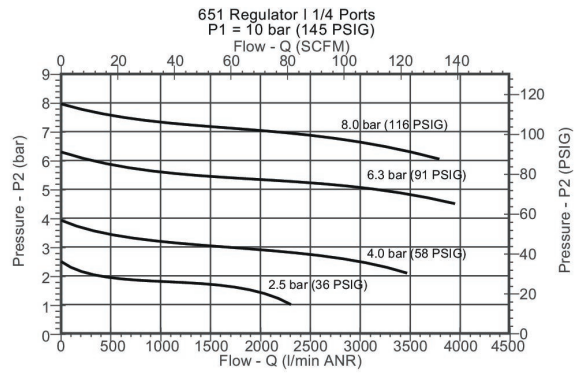


Series	651
A	103
B	77.5
C	50
D	25
E	58
F	29
G	3,4
H	29
J	14,5
K	35
L	42
M	44,5
N	20
P	10
Q	50
R	70
S	92
T	7
V	6,3
W	11
X	39,1
Y	M30x2

Flow diagram R412024742, R412024749, R412010090

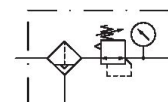


Flow diagram R412024742, R412024749, R412010090



**Filter pressure regulator, Series 651**

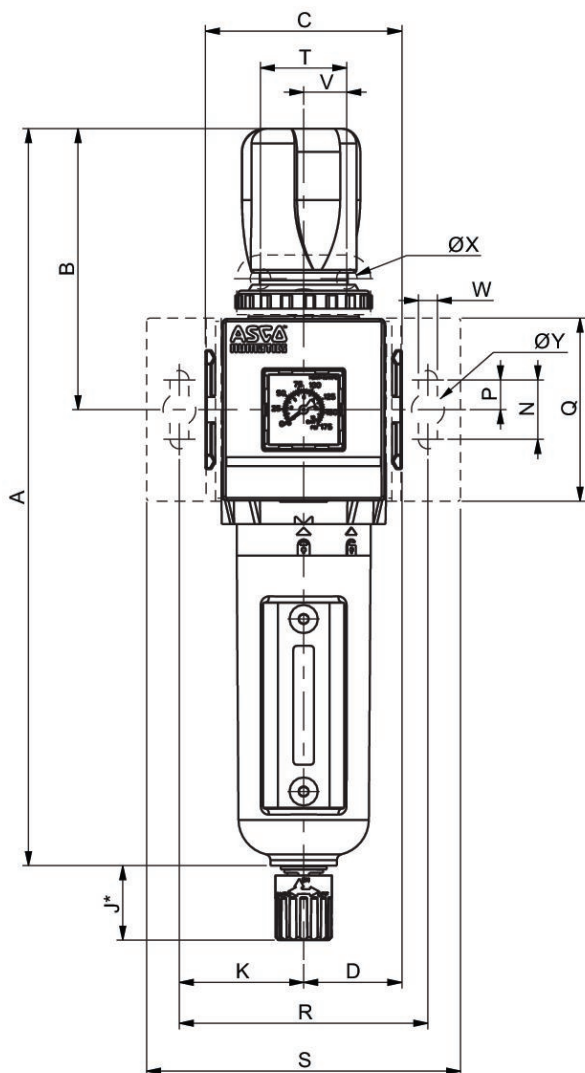
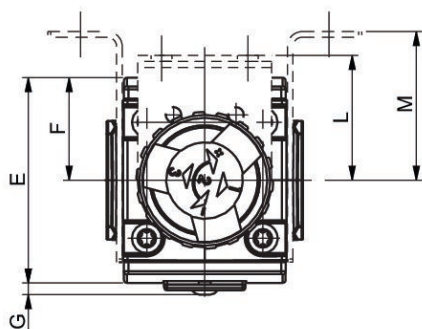
Parts: Filter pressure regulator



Port	Nominal flow [l/min]	Filter porosity [µm]	Condensate drain	Reservoir	Part No.
G 1/8	710	5	semi-automatic, open without pressure	Metal reservoir without window	G651APBK1GA00HN
G 1/4	2240	5	semi-automatic, open without pressure	Metal reservoir without window	G651APBK2GA00HN
G 1/8	730	25	semi-automatic, open without pressure	Metal reservoir without window	G651APJK1GA00HN
G 1/8	710	5	fully automatic, open without pressure	Metal reservoir without window	G651APBK1GA00HA
G 1/8	710	5	fully automatic, open without pressure	reservoir, metal, with inspection glass	G651APBL1GA00HA
G 1/8	730	25	fully automatic, open without pressure	Metal reservoir without window	G651APJK1GA00HA
G 1/8	710	5	semi-automatic, open without pressure	reservoir, metal, with inspection glass	G651APBL1GA00HN
G 1/4	2240	5	fully automatic, open without pressure	reservoir, metal, with inspection glass	G651APBL2GA00HA
G 1/8	730	25	fully automatic, open without pressure	reservoir, metal, with inspection glass	G651APJL1GA00HA
G 1/4	2240	5	fully automatic, open without pressure	Metal reservoir without window	G651APBK2GA00HA

Port	Nominal flow [l/min]	Filter porosity [µm]	Condensate drain	Reservoir	Part No.
G 1/4	2240	5	semi-automatic, open without pressure	reservoir, metal, with inspection glass	G651APBL2GA00HN
G 1/4	2360	25	semi-automatic, open without pressure	Metal reservoir without window	G651APJK2GA00HN
G 1/8	710	5	fully automatic, open without pressure	Reservoir polycarbonate	G651APBP1GA00HA
G 1/4	2360	25	fully automatic, open without pressure	Metal reservoir without window	G651APJK2GA00HA
G 1/8	710	5	semi-automatic, open without pressure	Reservoir polycarbonate	G651APBP1GA00HN
G 1/4	2240	5	fully automatic, open without pressure	Reservoir polycarbonate	G651APBP2GA00HA
G 1/4	2240	5	semi-automatic, open without pressure	Reservoir polycarbonate	G651APBP2GA00HN
G 1/8	730	25	semi-automatic, open without pressure	reservoir, metal, with inspection glass	G651APJL1GA00HN
G 1/4	2360	25	fully automatic, open without pressure	reservoir, metal, with inspection glass	G651APJL2GA00HA
G 1/4	2360	25	semi-automatic, open without pressure	reservoir, metal, with inspection glass	G651APJL2GA00HN
G 1/8	730	25	fully automatic, open without pressure	Reservoir polycarbonate	G651APJP1GA00HA
G 1/8	730	25	semi-automatic, open without pressure	Reservoir polycarbonate	G651APJP1GA00HN
G 1/4	2360	25	fully automatic, open without pressure	Reservoir polycarbonate	G651APJP2GA00HA
G 1/4	2360	25	semi-automatic, open without pressure	Reservoir polycarbonate	G651APJP2GA00HN

Dimensions

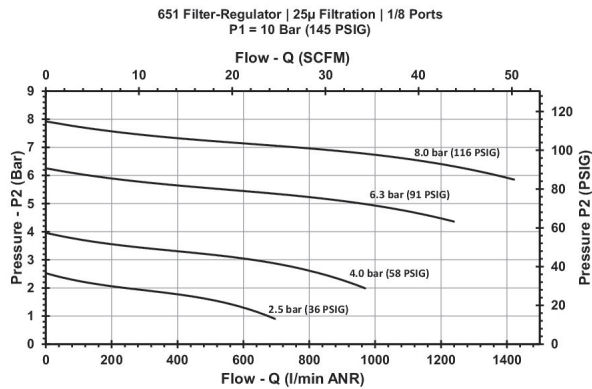


To remove the reservoir, allow a clearance of [[60] mm] from the bottom of the reservoir drain.

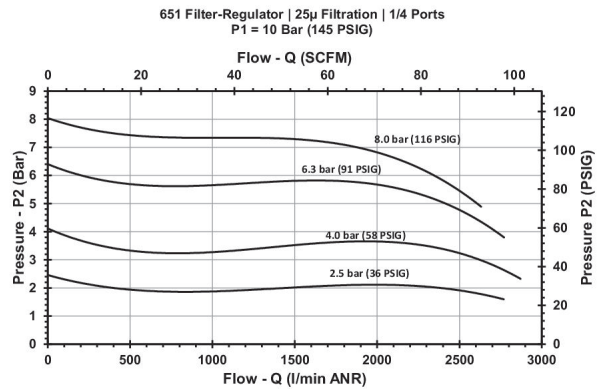
\*Variable dimension based on the type of drain specified, if an automatic drain is specified, add another [[5] mm] to the "J" dimension.

Series	651
A	215,5
B	77,5
C	50
D	25
E	58
F	29
G	3,4
H	116
J	25
K	35
L	42
M	44,5
N	20
P	10
Q	50
R	70
S	92
T	29
V	14,5
W	6,3
X	7
Y	11

Flow diagram R412024742, R412024749, R412010090

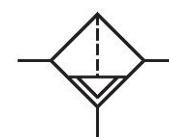


Flow diagram R412024742, R412024749, R412010090



**Filter, Series 651**

Parts: Filter

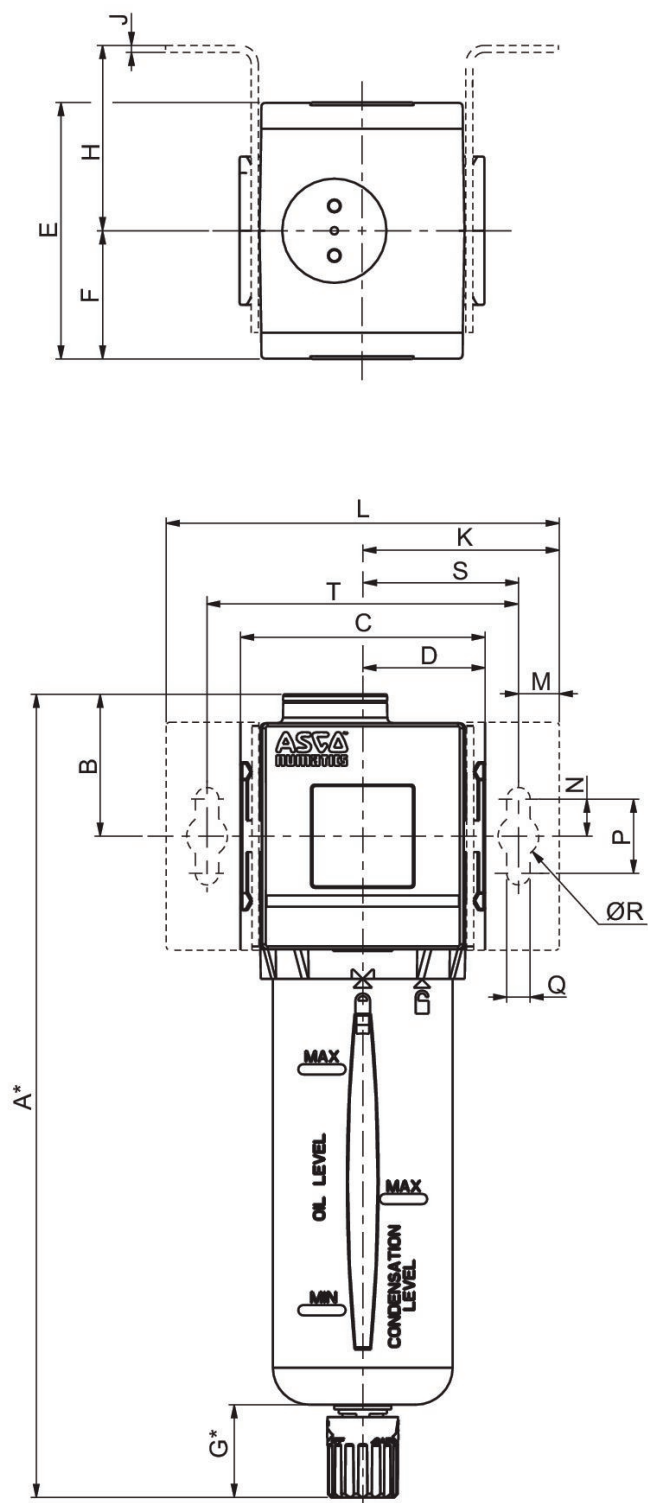


Port	Nominal flow [l/min]	Filter porosity [µm]	Condensate drain	Reservoir	Filter insert	Part No.
G 1/4	1250	5	semi-automatic, open without pressure	reservoir, metal, with inspection glass	Sintered polyethylene	G651ABBL2JA000N
G 1/8	885	5	fully automatic, open without pressure	reservoir, PA, with PA protective guard	Sintered polyethylene	G651ABBP1JA000A
G 1/8	920	25	fully automatic, open without pressure	reservoir, PA, with PA protective guard	Sintered polyethylene	G651ABJP1JA000A
G 1/8	885	5	semi-automatic, open without pressure	reservoir, metal, standard, without inspection glass	Sintered polyethylene	G651ABBK1JA000N
G 1/8	885	5	semi-automatic, open without pressure	reservoir, PA, with PA protective guard	Sintered polyethylene	G651ABBP1JA000N
G 1/8	920	25	semi-automatic, open without pressure	reservoir, metal, standard, without inspection glass	Sintered polyethylene	G651ABJK1JA000N
G 1/8	885	5	fully automatic, open without pressure	reservoir, metal, standard, without inspection glass	Sintered polyethylene	G651ABBK1JA000A
G 1/4	1250	5	fully automatic, open without pressure	reservoir, PA, with PA protective guard	Sintered polyethylene	G651ABBP2JA000A
G 1/8	920	25	fully automatic, open without pressure	reservoir, metal, standard, without inspection glass	Sintered polyethylene	G651ABJK1JA000A

Port	Nominal flow [l/min]	Filter porosity [µm]	Condensate drain	Reservoir	Filter insert	Part No.
G 1/8	885	5	semi-automatic, open without pressure	reservoir, metal, with inspection glass	Sintered polyethylene	G651ABBL1JA000N
G 1/4	1250	5	semi-automatic, open without pressure	reservoir, PA, with PA protective guard	Sintered polyethylene	G651ABBP2JA000N
G 1/8	920	25	fully automatic, open without pressure	reservoir, metal, with inspection glass	Sintered polyethylene	G651ABJL1JA000A
G 1/8	885	5	fully automatic, open without pressure	reservoir, metal, with inspection glass	Sintered polyethylene	G651ABBL1JA000A
G 1/4	1410	25	semi-automatic, open without pressure	reservoir, metal, standard, without inspection glass	Sintered polyethylene	G651ABJK2JA000N
G 1/8	920	25	semi-automatic, open without pressure	reservoir, metal, with inspection glass	Sintered polyethylene	G651ABJL1JA000N
G 1/4	1410	5	semi-automatic, open without pressure	reservoir, metal, standard, without inspection glass	Sintered polyethylene	G651ABBK2JA000N
G 1/4	1410	25	fully automatic, open without pressure	reservoir, metal, standard, without inspection glass	Sintered polyethylene	G651ABJK2JA000A
G 1/4	1410	25	fully automatic, open without pressure	reservoir, metal, with inspection glass	Sintered polyethylene	G651ABJL2JA000A
G 1/4	1410	5	fully automatic, open without pressure	reservoir, metal, standard, without inspection glass	Sintered polyethylene	G651ABBK2JA000A
G 1/4	1410	25	semi-automatic, open without pressure	reservoir, metal, with inspection glass	Sintered polyethylene	G651ABJL2JA000N
G 1/4	1410	5	fully automatic, open without pressure	reservoir, metal, with inspection glass	Sintered polyethylene	G651ABBL2JA000A
G 1/8	920	25	semi-automatic, open without pressure	reservoir, PA, with PA protective guard	Sintered polyethylene	G651ABJP1JA000N

Port	Nominal flow [l/min]	Filter porosity [ $\mu\text{m}$ ]	Condensate drain	Reservoir	Filter insert	Part No.
G 1/4	1410	25	fully automatic, open without pressure	reservoir, PA, with PA protective guard	Sintered polyethylene	G651ABJP2JA000A
G 1/4	1410	25	semi-automatic, open without pressure	reservoir, PA, with PA protective guard	Sintered polyethylene	G651ABJP2JA000N

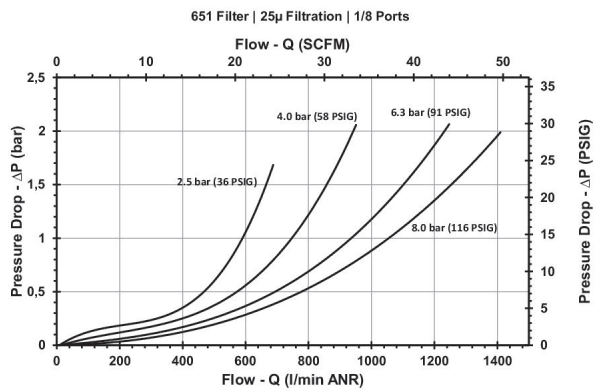
Dimensions



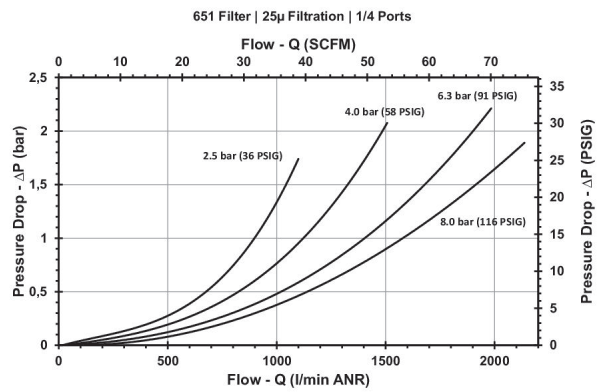
\*Variable dimension based on the type of drain specified, if an automatic drain is specified, add another [[5] mm] to the "G" dimension, which also adds 5 mm to the "A" dimension.

Series	651
A	197
B	33,8
C	50
D	25
E	58
F	29
G	25
H	44,5
J	1,27
K	46
L	92
M	11
N	10
P	20
Q	6,3
R	11
S	35
T	70

Flow diagram R412024742, R412024749, R412010090

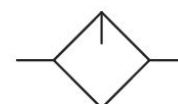


Flow diagram R412024742, R412024749, R412010090



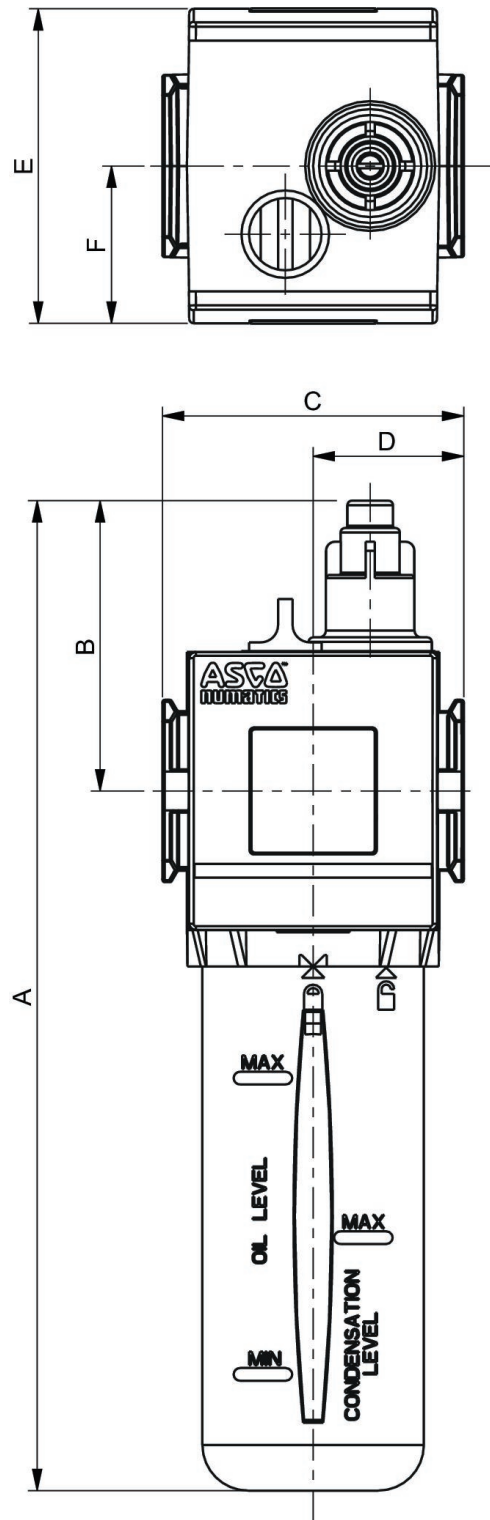
**Standard oil-mist lubricator, Series 651**

Parts: Lubricator



Port	Nominal flow [l/min]	Reservoir	Lubricator reservoir volume [cm <sup>3</sup> ]	Part No.
G 1/8	900	Metal reservoir without window	42	G651AL0K10A0000
G 1/8	900	reservoir, metal, with inspection glass	42	G651AL0L10A0000
G 1/4	1940	Metal reservoir without window	42	G651AL0K20A0000
G 1/4	1940	reservoir, metal, with inspection glass	42	G651AL0L20A0000
G 1/8	900	Reservoir polycarbonate	42	G651AL0P10A0000
G 1/4	1940	Reservoir polycarbonate	42	G651AL0P20A0000

Dimensions

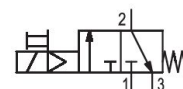


To remove the reservoir, allow a clearance of [[20] mm] from the bottom of the reservoir drain.

Series	651
A	198
B	58
C	50
D	25
E	58
F	29
G	116

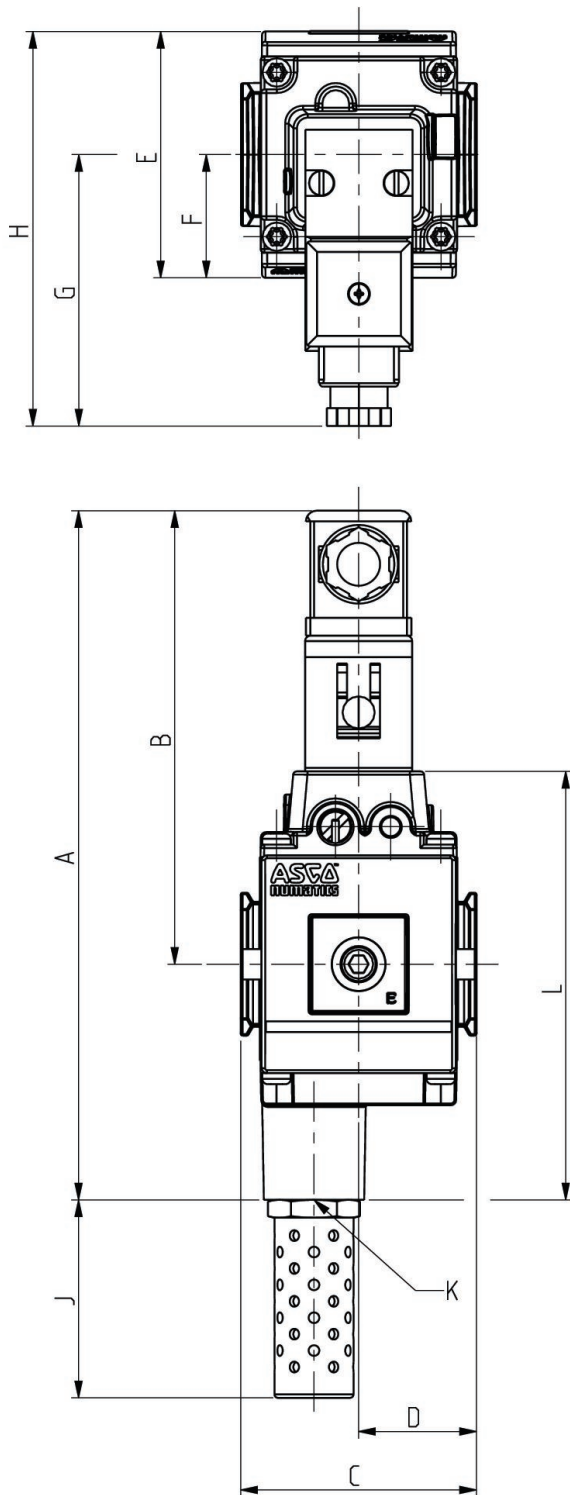
**3/2-directional valve, electrically operated, Series 651**

Activation: Electrically  
Type: Poppet valve



Port	Nominal flow [l/min]	Operational voltage	Part No.
G 1/8	780	24 V DC	G651A5S610A00F1
G 1/8	780	230 V AC	G651A5S610A00FH
G 1/4	1000	24 V DC	G651A5S620A00F1
G 1/4	1000	230 V AC	G651A5S620A00FH

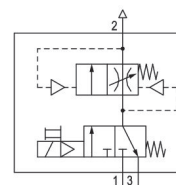
Dimensions



Series	651
A	170
B	116
C	50
D	25
E	58
F	29
G	72
H	101
J	34,5
K	G 1/4
L	97

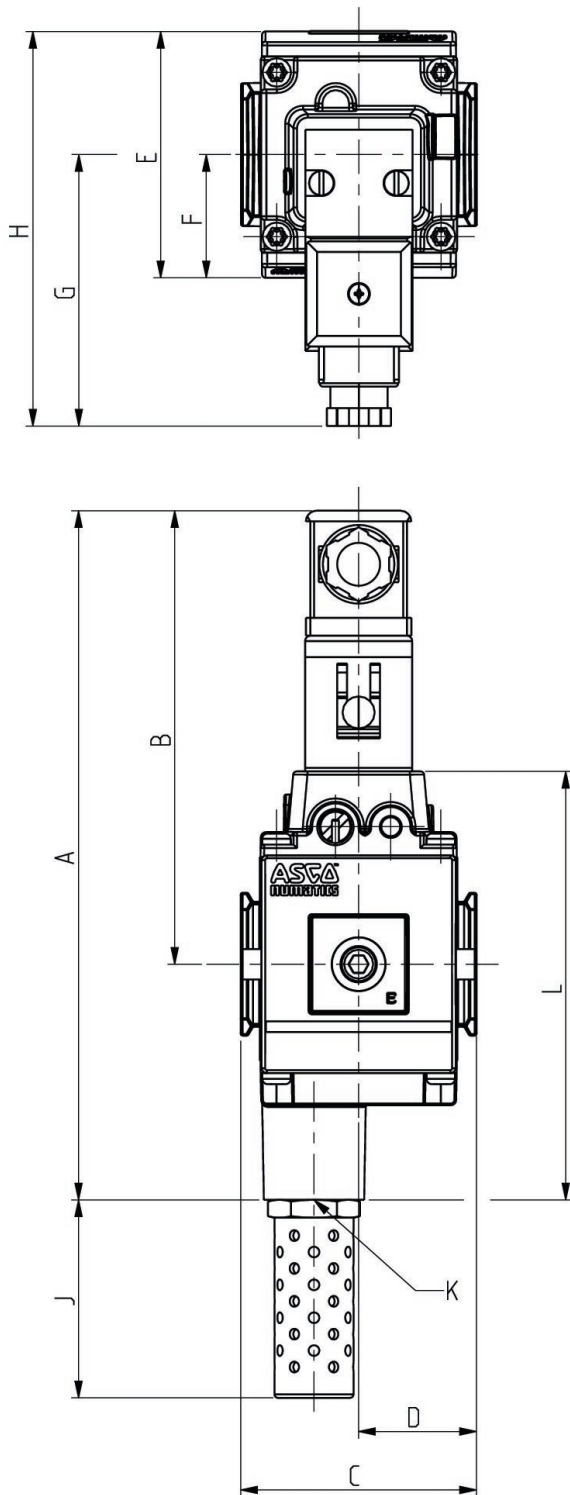
**Filling unit, electrically operated, Series 651**

Activation: Electrically



Port	Nominal flow [l/min]	Operational voltage	Part No.
G 1/8	780	24 V DC	G651A6S610A00F1
G 1/4	1000	24 V DC	G651A6S620A00F1
G 1/8	780	230 V AC	G651A6S610A00FH
G 1/4	1000	230 V AC	G651A6S620A00FH

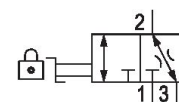
Dimensions



Series	651
A	170
B	116
C	50
D	25
E	58
F	29
G	72
H	101
J	34,5
K	G 1/4
L	97

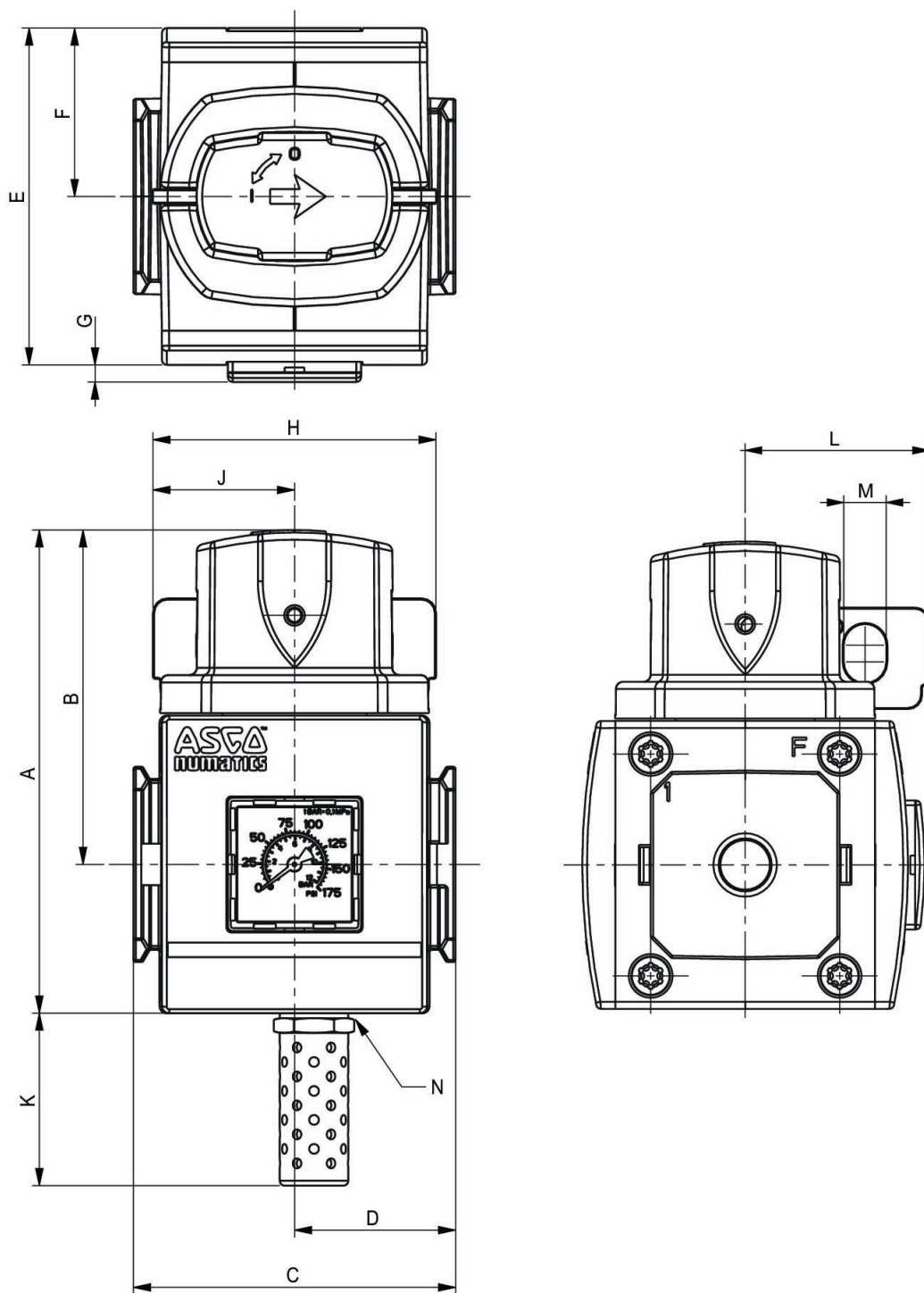
**3/2-shut-off valve, mechanically operated, Series 651**

Activation: Mechanical  
Parts: Shut-off valve



Port	Nominal flow [l/min]	Silencer	Part No.
G 1/8	1440	metal	G651A3M01011100
G 1/8	1440	Plastic	G651A3M01011200
G 1/8	1440		G651A3M010A0000
G 1/4	4720	metal	G651A3M02011100
G 1/4	4720	Plastic	G651A3M02011200
G 1/4	4720		G651A3M020A0000

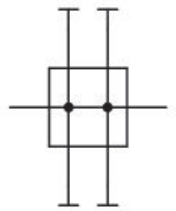
Dimensions



Series	651
A	90,5
B	65,5
C	50
D	25
E	58
F	29
G	4,4
H	57,8
J	28,9
K	35,5
L	38
M	9
N	G 1/4
tablefooter	

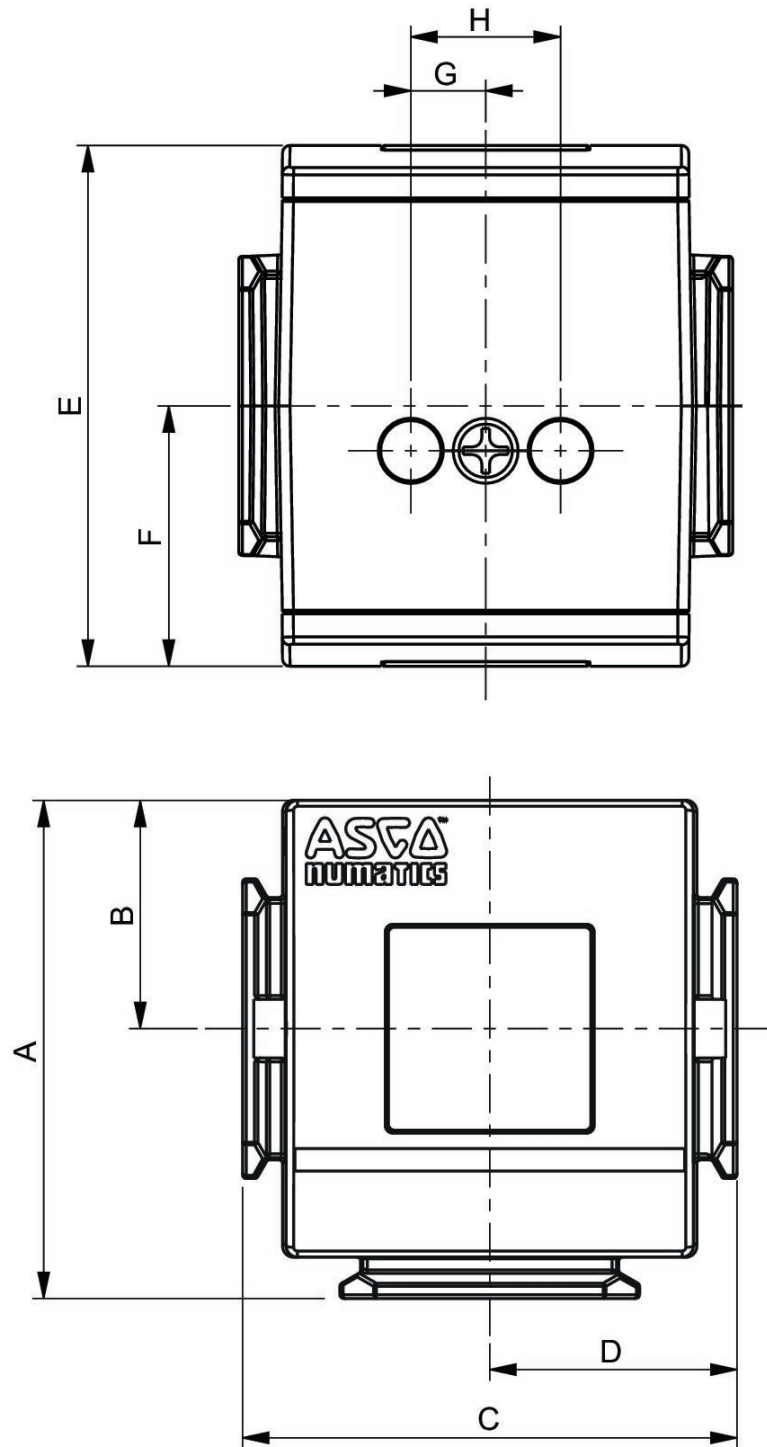
### Distributor, Series 651

Parts: Distributor



Port	Part No.
G 1/4	G651AD002CA0000

Dimensions



Series	651
A	54,4
B	25
C	50
D	25
E	58
F	29
G	10
H	20

## Ordering information

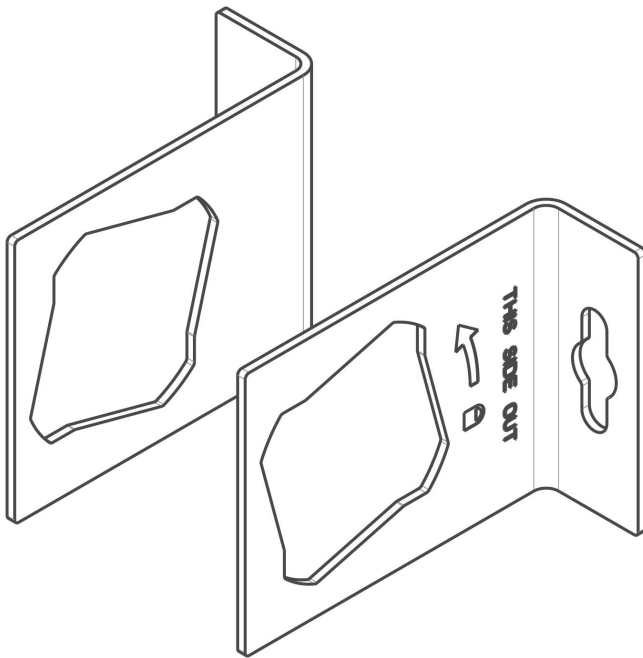
G	Thread connection	G	ISO 228/1-G
8	NPTF		
651	Product series	651	
652			
653			
A	Revision letter	A	
D	Product type	D	Diverter block
0			
0			
2	Port size	2	1/4
4	1/2		
6	1		
C	Pressure switch interface	C	Provisioned for 349 pressure switch pad mount
A00	Options	A00	without option
101	side mounting brackets		
117	ATEX zones 1-21		
124	CURT Certification (EAC)		
125	CURT Ex		
0	Pressure switch type	0	no pressure switch
1	pad mount without visual indicator 10 bar max.		
2	pad mount with visual indicator 10 bar max.		
0			

Mounting bracket, Series 651



Material	Part No.
Stainless Steel	P651AT503860001

Dimensions

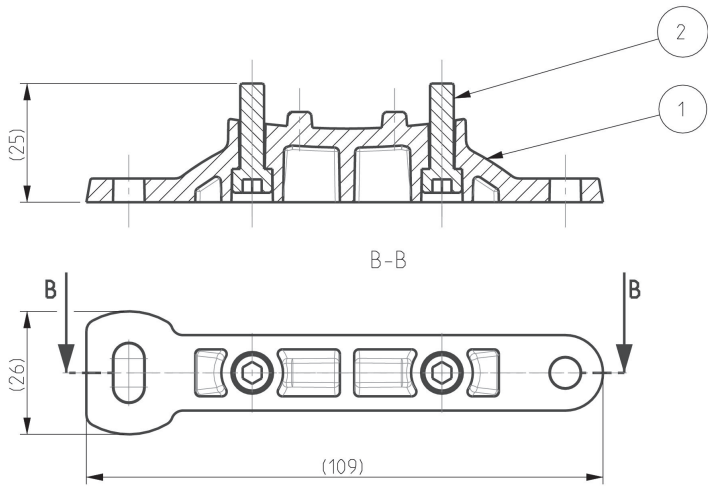


Mounting clip



Material	Part No.
Aluminum	P699AT502467001

Dimensions



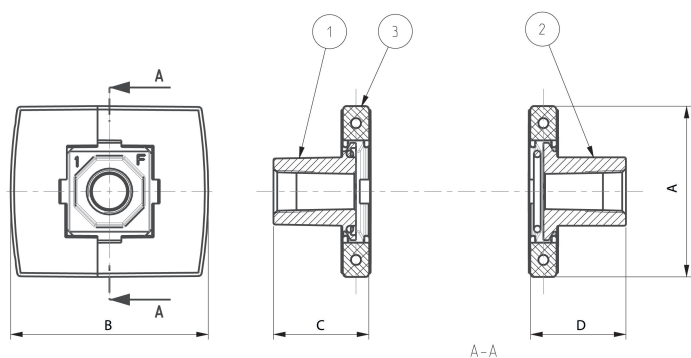
- 1) Mounting clip
- 2) Screw

End plate kit



Port	Material	Part No.
G 1/4	Aluminum	T651AT504959002

Dimensions



- 1) Right end plate
- 2) Left end plate
- 3) Kit

Series	651
A	50
B	58
C	28
D	28

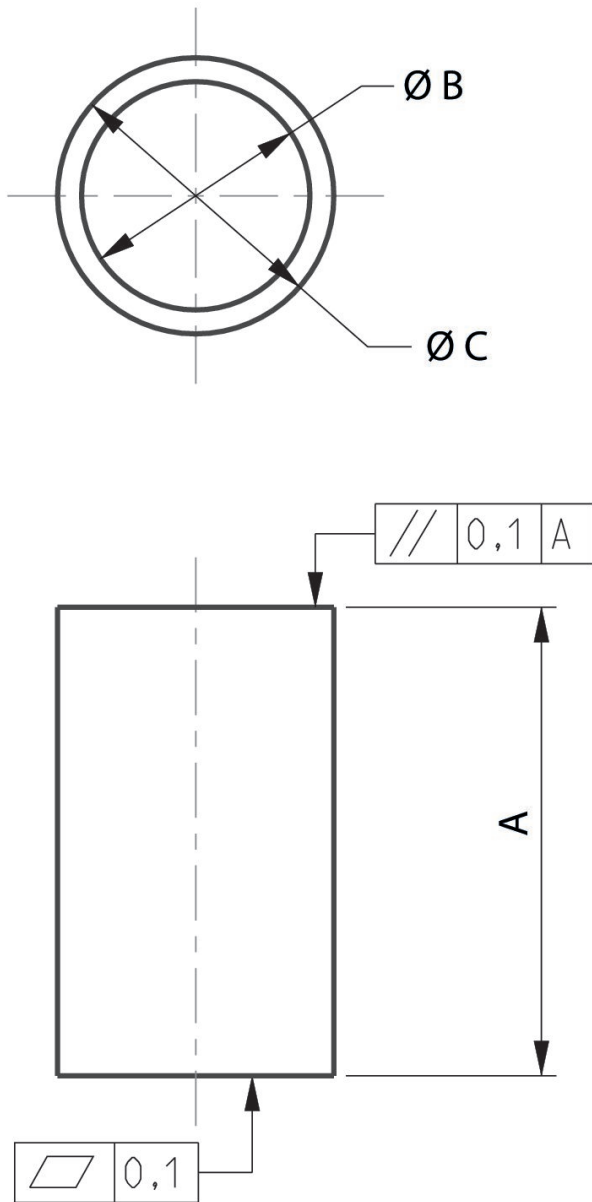
**Filter element**

For series: 651



Filter porosity [µm]	Color	Part No.
5	White	M651AE434063001
25	Yellow	M651AE434063002

Dimensions



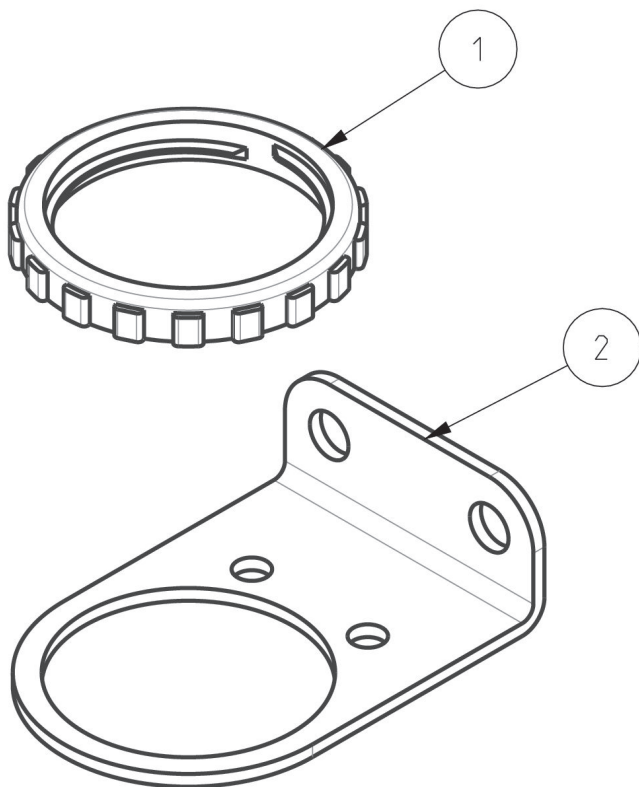
Series	651
A	32,9
B	17,2
C	21,5
tablefooter	

Panel nut and bracket



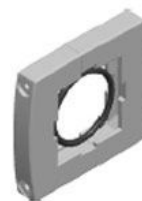
Material	Part No.
Stainless Steel	P651AT503861001

Dimensions



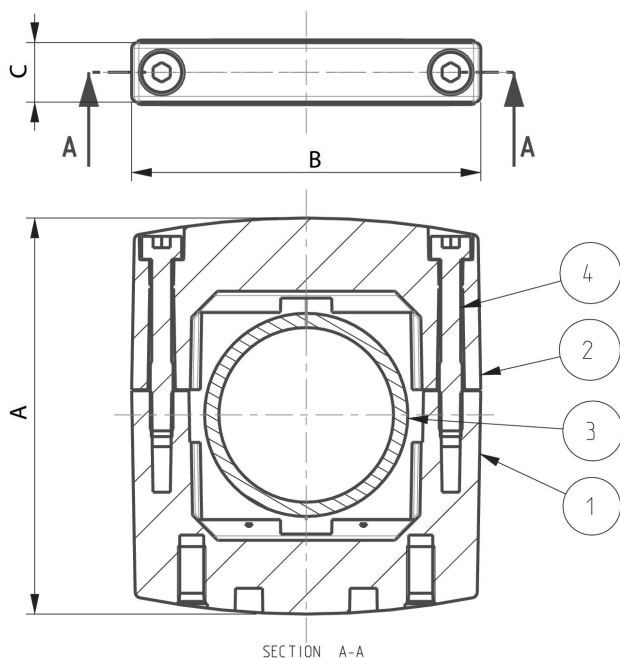
- 1) Panel nut
- 2) Mounting bracket

Block assembly kit



Material	Part No.
Aluminum	P651AT504958001

Dimensions







- 1) Block assembly kit
- 2) Block assembly kit
- 3) O-ring
- 4) Screw

Series	651
A	58
B	50
C	8

Efficient pneumatic solutions, our program:  
cylinders and drives, valves and valve systems,  
air supply management, proportional pressure  
control valves



Visit us: [www.Emerson.com/aventics](http://www.Emerson.com/aventics)  
Your local contact: [Emerson.com/contactus](http://Emerson.com/contactus)

-  [Emerson.com](http://Emerson.com)
-  [Facebook.com/EmersonAutomationSolutions](https://Facebook.com/EmersonAutomationSolutions)
-  [LinkedIn.com/company/Emerson-Automation-Solutions](https://LinkedIn.com/company/Emerson-Automation-Solutions)
-  [Twitter.com/EMR\\_Automation](https://Twitter.com/EMR_Automation)



The Emerson logo is a trademark and service mark of Emerson Electric Co. AVENTICS is a registered trademark of one of the Emerson family of companies. All other trademarks are the property of their respective owners. © 2020 Emerson Electric Co. All rights reserved.



**CONSIDER IT SOLVED™**