

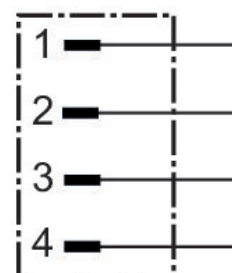
Round plug connector, Series CON-RD

1834484223

General series information

AVENTICS Series CON-RD Round plug connectors

- The AVENTICS Series CON-RD offers round plug connectors for self assembly, as well as terminating plug for fieldbus , adaptors and y-connectors as well as IP protection caps.



Technical data

Industry

Industrial

Type

Round plug connectors

Connection type

Screws

min. suitable cable Ø

4 mm

max. suitable cable Ø

6 mm

Certificates

UL (Underwriters Laboratories)

Shielding

unshielded

Min. ambient temperature

-40 °C

Max. ambient temperature

85 °C

Max. current

4 A

Protection class

IP67

Operational voltage

48 V AC/DC

Electrical connection 1, type	Plug
Electrical connection 1, thread size	M12x1
Electrical connection 1, number of poles	4-pin
Electrical connection 1, coding	A-coded
Cable exit	angled
Cable exit angle	90°
Weight	0.02 kg

Material

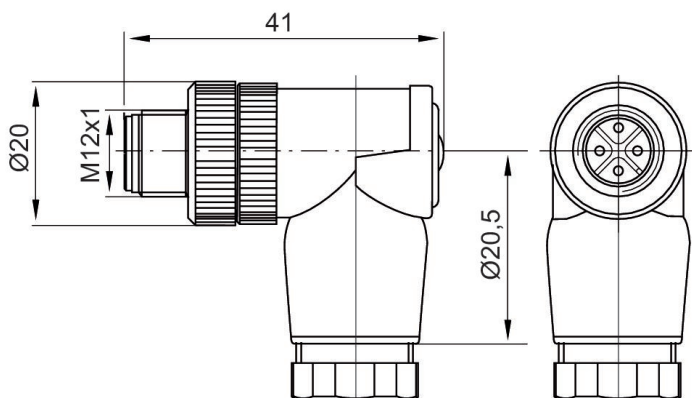
Housing material	Polyamide
Part No.	1834484223

Technical information

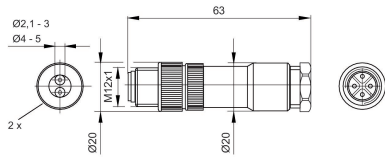
The specified protection class is only valid in assembled and tested state.

Included: 2 seals for 2 cables each with \varnothing [[2.1] mm] ... [[3.0] mm] and \varnothing [[4.0] mm] ... [[5.0] mm].

1834484223



1834484246



duo plug

Plug pin assignment

