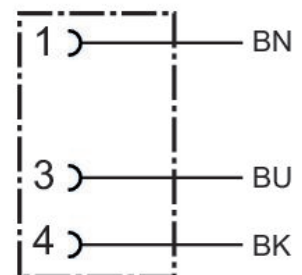


# Round plug connector, Series CON-RD

1834484199

General series information  
AVENTICS Series CON-RD Round plug  
connectors with cable

- The AVENTICS Series CON-RD-with cable offers cables with round plug connectors for various types like M8x1, M12x1 or 7/8-16UNC and different cable length, optimized for our focused valves with M8x1 or M12x1 connection and electronic systems like AES and G3.



## Technical data

Industry	Industrial
Type	Round plug connectors
Cable	with cable
Operational voltage	48 V AC/DC
Operating voltage AC max.	48 V DC
Operating voltage DC, max.	48 V AC
Electrical connection 1, type	Socket
Electrical connection 1, thread size	Snap Ø8
Electrical connection 1, number of poles	3-pin
Cable exit 1	angled
Cable exit angle	90°
Electrical connection 2, type	open cable ends
Number of wires	3
Shielding	unshielded
Cable length	10 m
Protection class	IP65
Min. ambient temperature	-25 °C

Max. ambient temperature	70 °C
Max. current	4 A
Wire cross-section	0.25 mm <sup>2</sup>
Cable-Ø	4.5 mm
Weight	0.274 kg

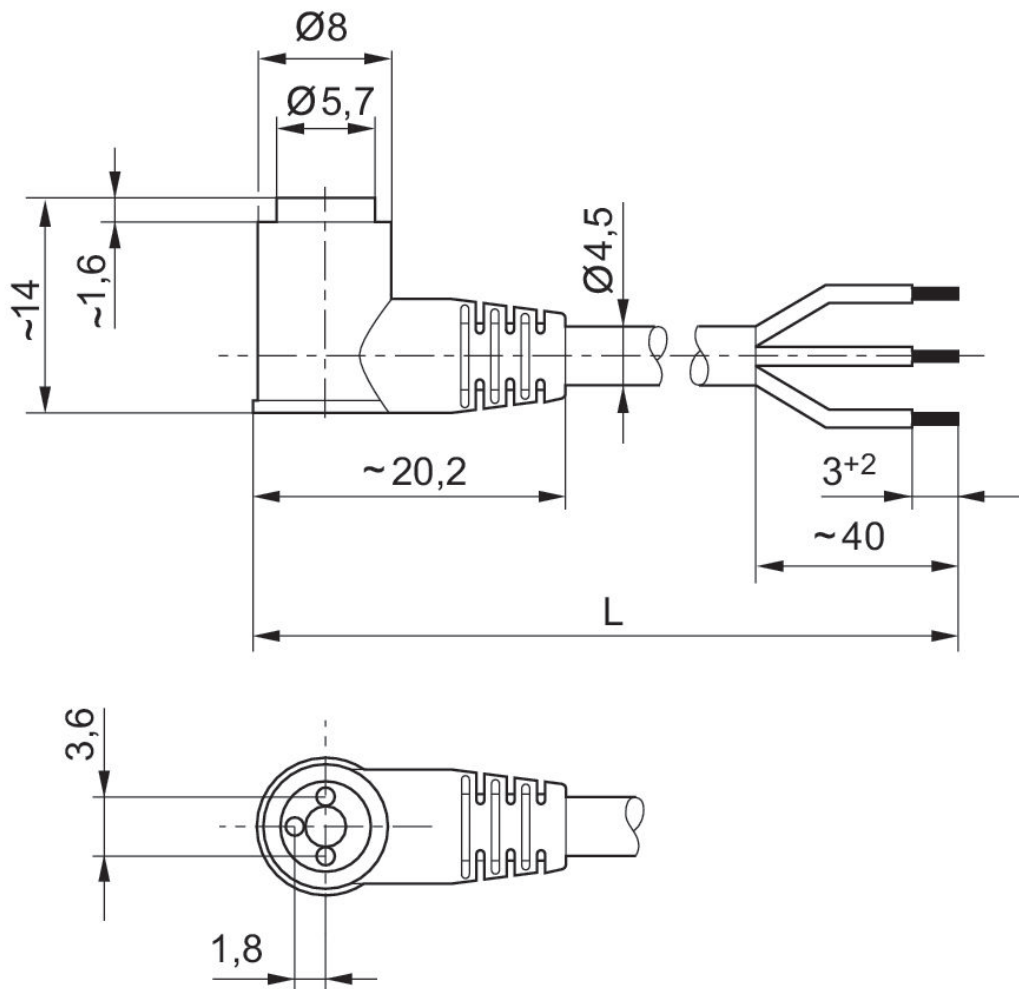
## Material

Housing material	Polyurethane
Material cable sheath	Polyurethane
Part No.	1834484199

## Technical information

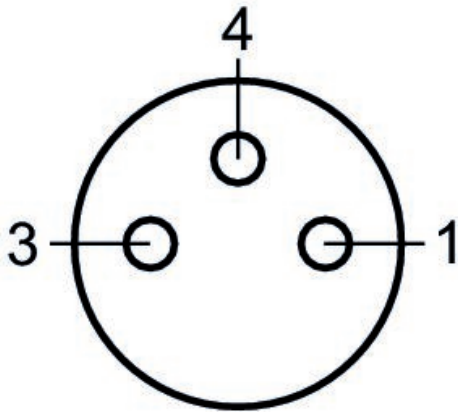
The specified protection class is only valid in assembled and tested state.

## Dimensions



L = length

### Pin assignment, socket



---

(1) BN=brown (3) BU=blue (4) BK=black