

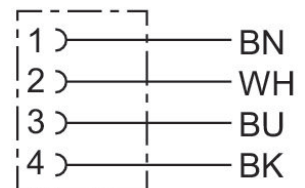
Round plug connector, Series CON-RD

1834484147

General series information

AVENTICS Series CON-RD Round plug connectors with cable

- The AVENTICS Series CON-RD-with cable offers cables with round plug connectors for various types like M8x1, M12x1 or 7/8-16UNC and different cable length, optimized for our focused valves with M8x1 or M12x1 connection and electronic systems like AES and G3.



Technical data

Industry	Industrial
Type	Round plug connectors
Cable	with cable
Operational voltage	48 V AC/DC
Operating voltage AC max.	48 V DC
Operating voltage DC, max.	48 V AC
Electrical connection 1, type	Socket
Electrical connection 1, thread size	M8x1
Electrical connection 1, number of poles	4-pin
Electrical connection 1, coding	A-coded
Cable exit 1	angled
Cable exit angle	90°
Electrical connection 2, type	open cable ends
Number of wires	4

Shielding	unshielded
Cable length	5 m
Protection class	IP67
Min. ambient temperature	-25 °C
Max. ambient temperature	85 °C
Max. current	4 A
Wire cross-section	0.25 mm ²
Cable-Ø	4.5 mm
Weight	0.141 kg

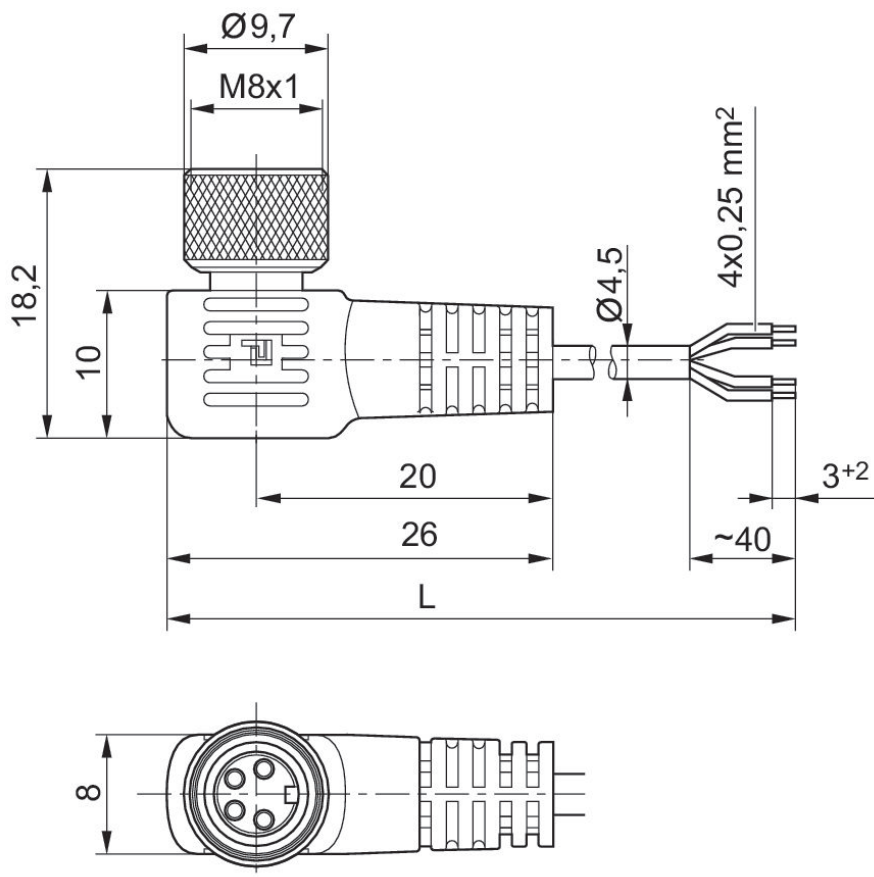
Material

Housing material	Polyurethane
Material cable sheath	Polyurethane
Part No.	1834484147

Technical information

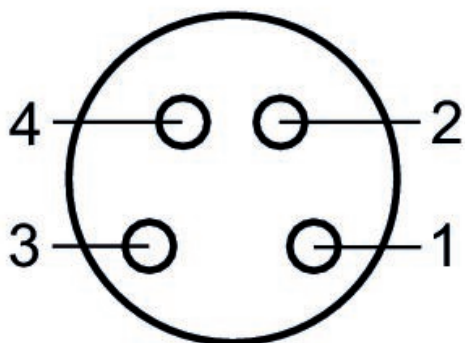
The specified protection class is only valid in assembled and tested state.

Dimensions in mm



L = length

Pin assignment, socket



(1) BN=brown (2) WH=white (3) BU=blue (4) BK=black