

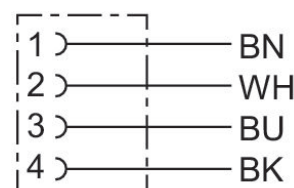
Round plug connector, Series CON-RD

1834484146

General series information

AVENTICS Series CON-RD Round plug connectors with cable

- The AVENTICS Series CON-RD-with cable offers cables with round plug connectors for various types like M8x1, M12x1 or 7/8-16UNC and different cable length, optimized for our focused valves with M8x1 or M12x1 connection and electronic systems like AES and G3.



Technical data

Industry

Industrial

Type

Round plug connectors

Cable

with cable

Operational voltage

48 V AC/DC

Operating voltage AC max.

48 V DC

Operating voltage DC, max.

48 V AC

Electrical connection 1, type

Socket

Electrical connection 1, thread size

M8x1

Electrical connection 1, number of poles

4-pin

Electrical connection 1, coding

A-coded

Cable exit 1

straight

Cable exit angle

180°

Electrical connection 2, type

open cable ends

Number of wires

4

| | |
|--------------------------|--------------------------------|
| Shielding | unshielded |
| Cable length | 5 m |
| Certificates | UL (Underwriters Laboratories) |
| Protection class | IP67 |
| Min. ambient temperature | -40 °C |
| Max. ambient temperature | 85 °C |
| Max. current | 4 A |
| Wire cross-section | 0.25 mm ² |
| Cable-Ø | 4.5 mm |
| Weight | 0.14 kg |

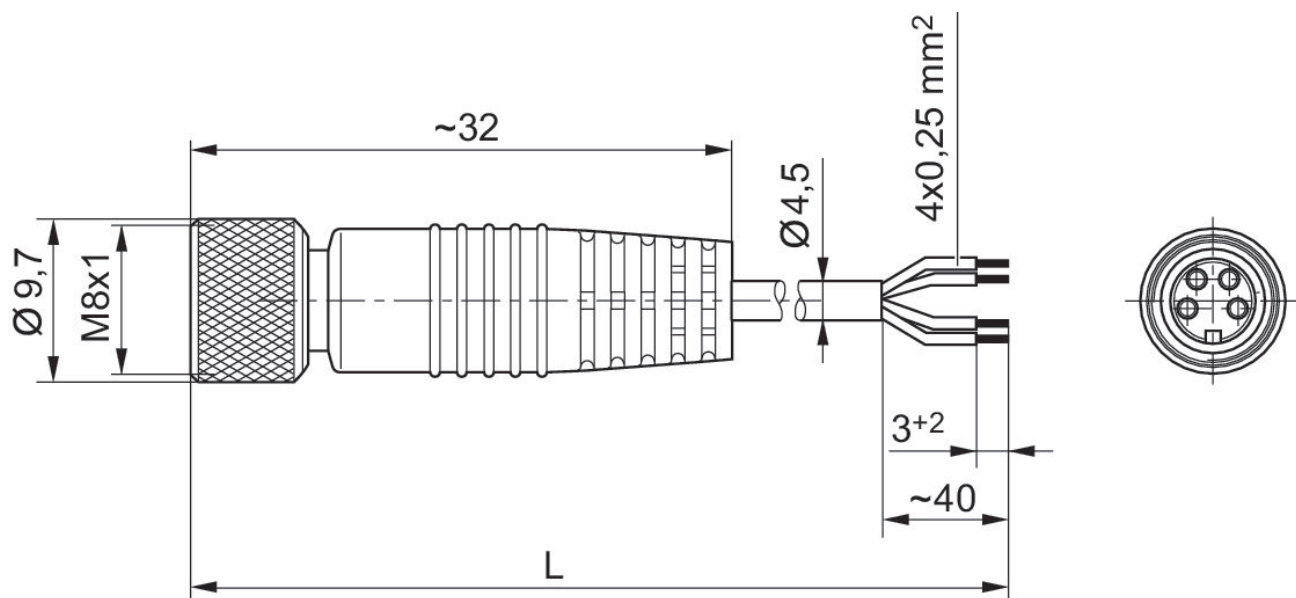
Material

| | |
|-----------------------|--------------|
| Housing material | Polyurethane |
| Material cable sheath | Polyurethane |
| Part No. | 1834484146 |

Technical information

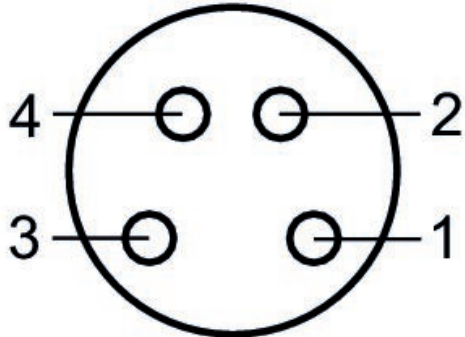
The specified protection class is only valid in assembled and tested state.

Dimensions



L = length

Pin assignment, socket



(1) BN=brown (2) WH=white (3) BU=blue (4) BK=black