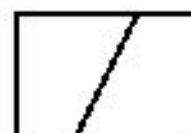


Coil, Series CO1

1827414298

General series information
AVENTICS Series CO1 Coils

- The AVENTICS Series CO1 is a complete range of electrical solenoid coils with or without cable used in AVENTICS pneumatic valves Series.



Technical data

Industry

Type

Coil width

ATEX

Certificates

Min. ambient temperature

Max. ambient temperature

Protection class

Cable length

Duty cycle ED

Industrial

Cable with valve plug connector

30 mm

ATEX

II 2G Ex mb IIC T4 Gb

II 2D Ex mb tb IIIC T130°C Db IP65

ATEX

-20 °C

50 °C

IP65

10 m

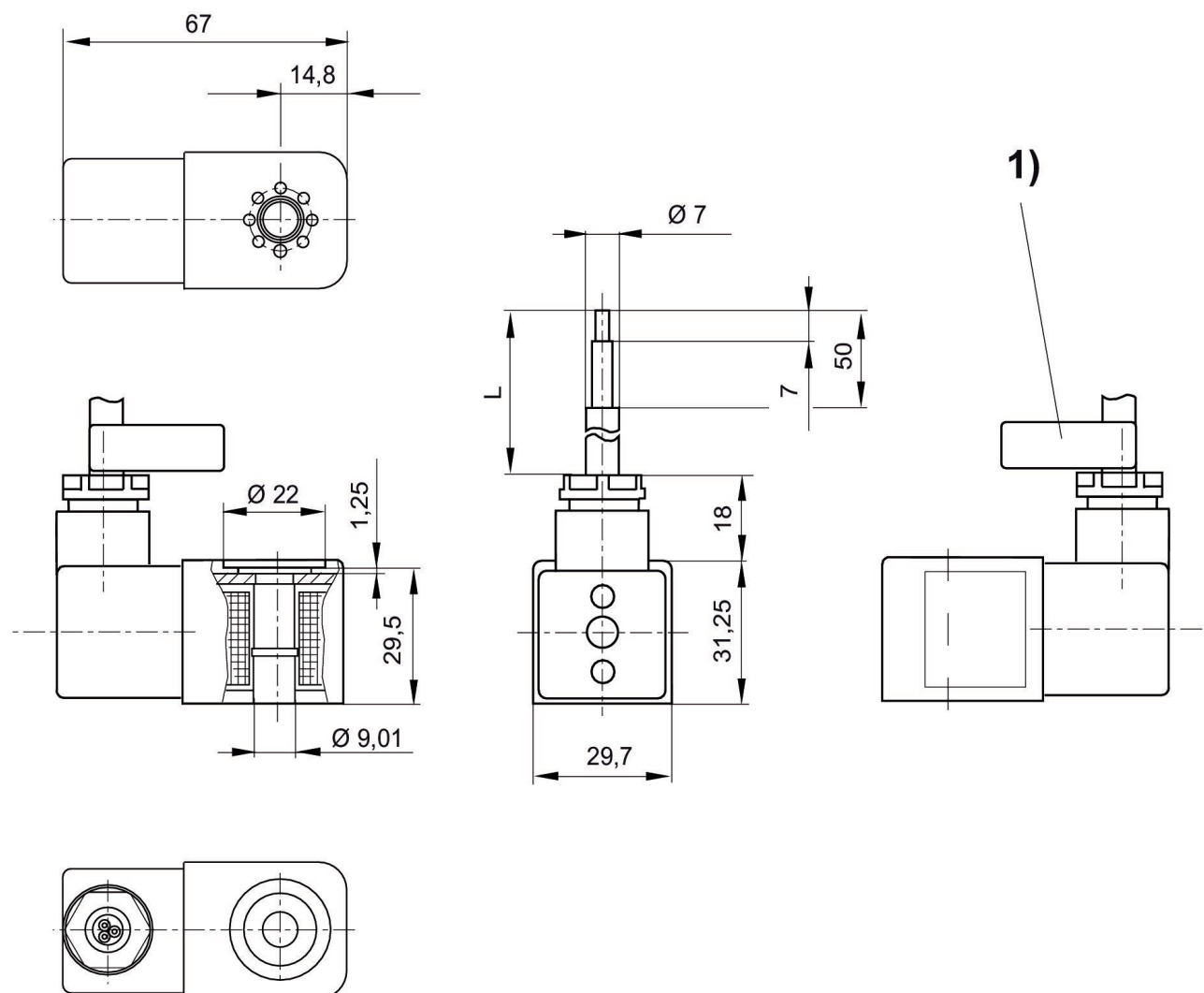
100 %

Compatibility index	14
Operational voltage AC at 50 Hz	230 V
Operational voltage AC at 60 Hz	230 V
Voltage tolerance AC 50 Hz	-10% / +10%
Holding power AC 50 Hz	3 VA
Switch-on power AC 50 Hz	3.1 VA
Weight	0.91 kg

Material

Part No. 1827414298

Dimensions



L = cable length

1) Cable ID band with serial number