

1827414297

AVENTICS Series CO1 Coils

The AVENTICS Series CO1 is a complete range of electrical solenoid coils with or without cable used in AVENTICS pneumatic valves Series.



Technical data

Industry

Industrial

Type

Cable with valve plug connector

Coil width

30 mm

ATEX

ATEX

II 2G Ex mb IIC T4 Gb

II 2D Ex mb tb IIIC T130°C Db IP65

Certificates

ATEX

Min. ambient temperature

-20 °C

Max. ambient temperature

50 °C

Protection class

IP65

Cable length

3 m

Duty cycle ED

100 %

Compatibility index

14

Operational voltage AC at 50 Hz

230 V

Operational voltage AC at 60 Hz

230 V

Voltage tolerance AC 50 Hz

-10% / +10%

Holding power AC 50 Hz

3 VA

Switch-on power AC 50 Hz

3.1 VA

Weight

0.38 kg

Coil, Series CO1

2023-12-13

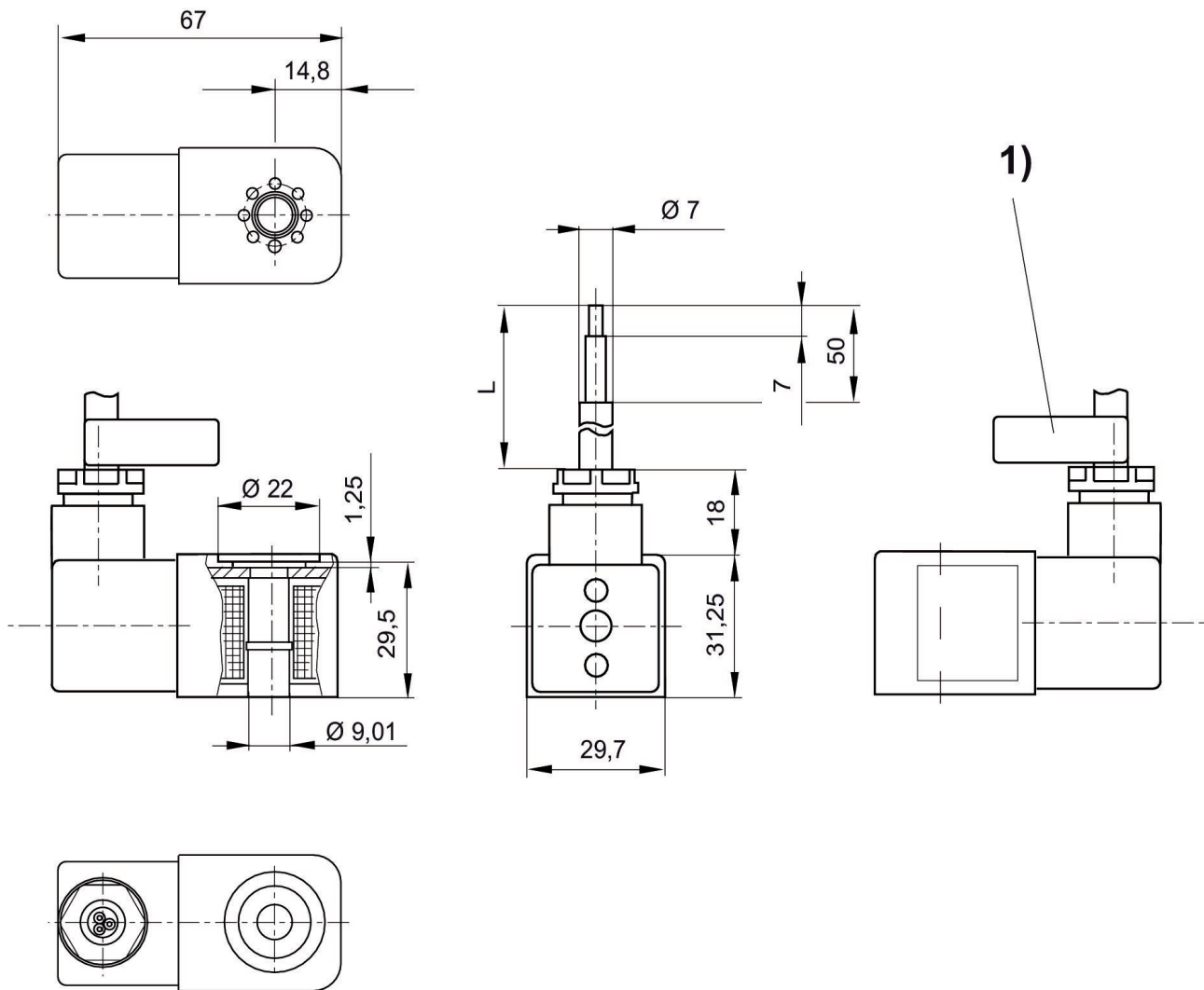
1827414297

Material

Part No.

1827414297

Dimensions



L = cable length

1) Cable ID band with serial number