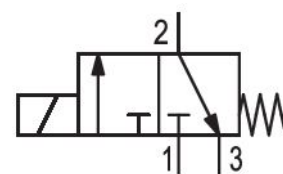


Pilot valve, Series DO35

1827414015

General series information
AVENTICS Series DO Directional valves

- The AVENTICS Series DO offer a simple, reliable and robust solution for all classical pilot control functions with direct electrical operation.



Technical data

Industry	Industrial
Activation	Electrically
Switching principle	3/2, with spring return
Function	NC
Compressed air connection, exhaust	G 1/8
Working pressure min.	0 bar
Working pressure max	10 bar
Operational voltage	110 V AC
Operational voltage AC at 50 Hz	110 V
Operational voltage AC at 60 Hz	110 V
Manual override	with detent
Electrical connection type	Plug
Electrical connection size	EN 175301-803, form A

Valve type	Poppet valve
Sealing principle	Soft Seal
Connection type	Pipe connection
Min. ambient temperature	-10 °C
Max. ambient temperature	50 °C
Min. medium temperature	-10 °C
Max. medium temperature	50 °C
Medium	Compressed air
Nominal flow Qn 1 to 2	140 l/min
Nominal flow Qn 2 to 3	130 l/min
Holding power AC 50 Hz	14 VA
Holding power AC 60 Hz	14 VA
Switch-on power AC 50 Hz	21 VA
Switch-on power AC 60 Hz	21 VA
Duty cycle	100 %
mounting screws	M4
Tightening torque tolerance	+0,3

Material

Seal material	Fluorocaoutchouc
Part No.	1827414015

Technical information

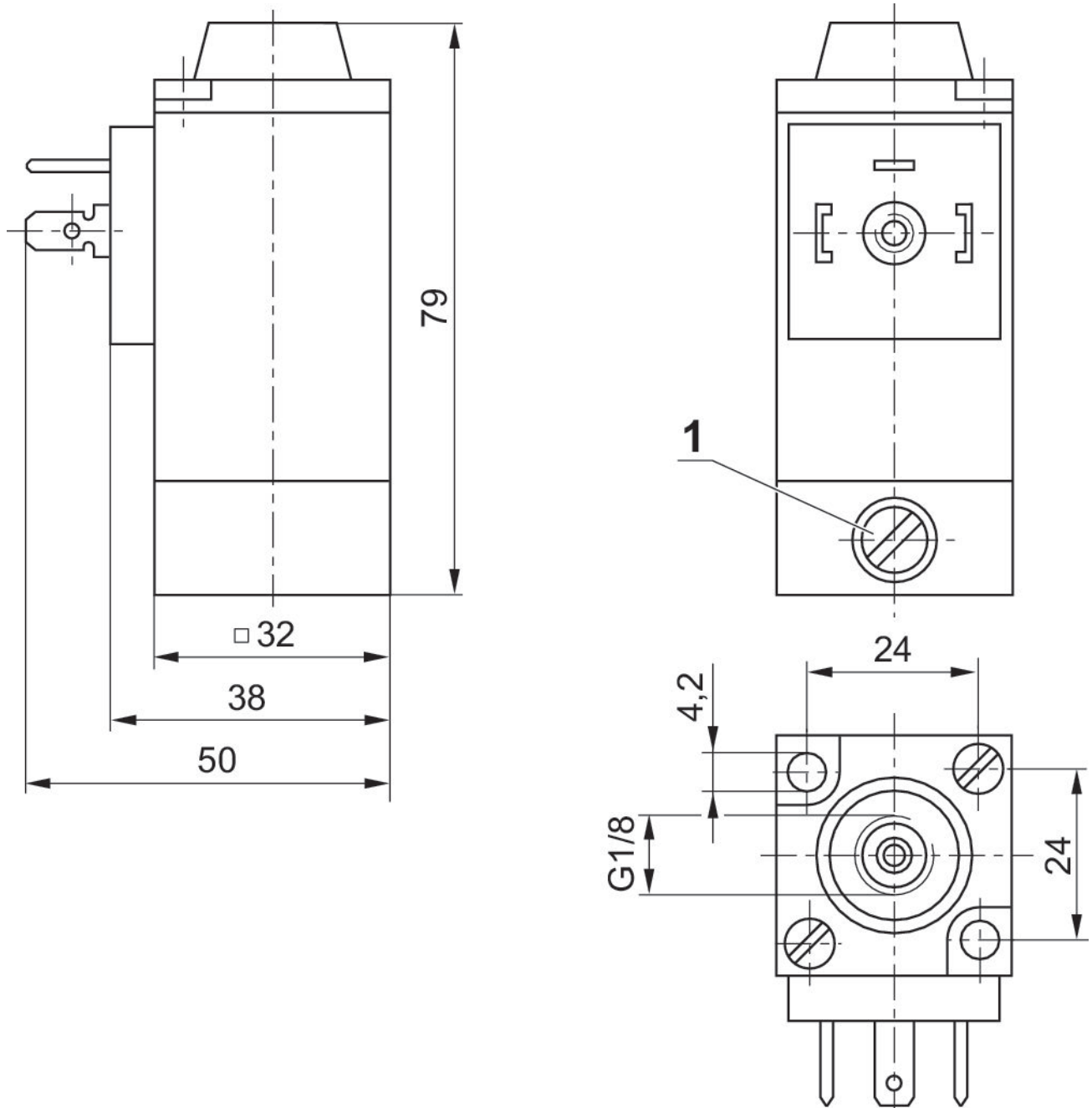
The min. control pressure must be adhered to, since otherwise faulty switching and valve failure may result!

The pressure dew point must be at least 15 °C under ambient and medium temperature and may not exceed 3 °C .

The oil content of compressed air must remain constant during the life cycle.

Use only the approved oils from AVENTICS. Further information can be found in the "Technical information" document (available in <https://www.emerson.com/en-us/support>).

Dimensions



1) Manual override