

Series PG1 Pressure gauges

With the AVENTICS Series PG1 you can visualize and rely on a clear air pressure display for each of your pneumatic circuits. In addition to the parameters for controlling the air quality, supplying sufficient pressure is the basis for operating a reliable system within machine automation. Emerson offers mechanical pressure gauges that can be integrated into machines for diverse applications and air preparation systems. The specifications of the individual versions in the universal PG1 Series provide a selection of options, such as appearance, material, or the required type of mounting.



Technical data

Industry	Industrial
Pressure gauge version	Diaphragm pressure gauge
Mounting orientation	vertical
ATEX	Suitable for ATEX
Scale value	0.1
Min. range of application	0 bar
Max. range of application	0.5 bar
Min. display range	0 bar
Max. display range	0.5 bar
Min. working pressure	0 bar
Max. working pressure	16 bar
Min. ambient temperature	0 °C
Max. ambient temperature	60 °C
Medium	Compressed air
Background color	White
Main scale unit (outside)	bar
Main scale color (outside)	Black
Color for differential pressure range	Green Red
Pointer color	Black
Weight	0.127 kg

Material

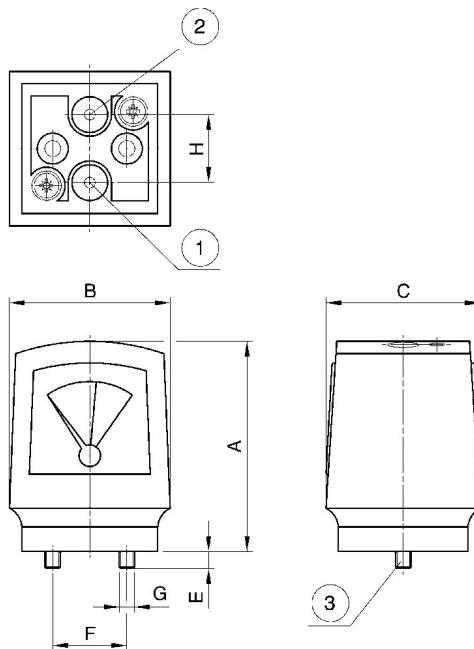
Housing material	Polyamide fiber-glass reinforced
Material viewing window	Polystyrene
Seal material	Acrylonitrile butadiene styrene

1827231072

Technical information

Suitable for use in Ex zones 1, 2, 21, 22.

Dimensions



1) Input pressure p1 2) Output pressure p2

3) Mounting screw and 2 O-rings included in scope of delivery

Dimensions in mm

Part No.	A	B	C	E	F	G	H
1827231072	68	52	50	6	24	M5	22