

Sensor mounting, Series CB1

1827020084

General series information
AVENTICS Sensor mountings

- AVENTICS Sensors mountings are especially designed to mount AVENTICS sensors on various cylinders.

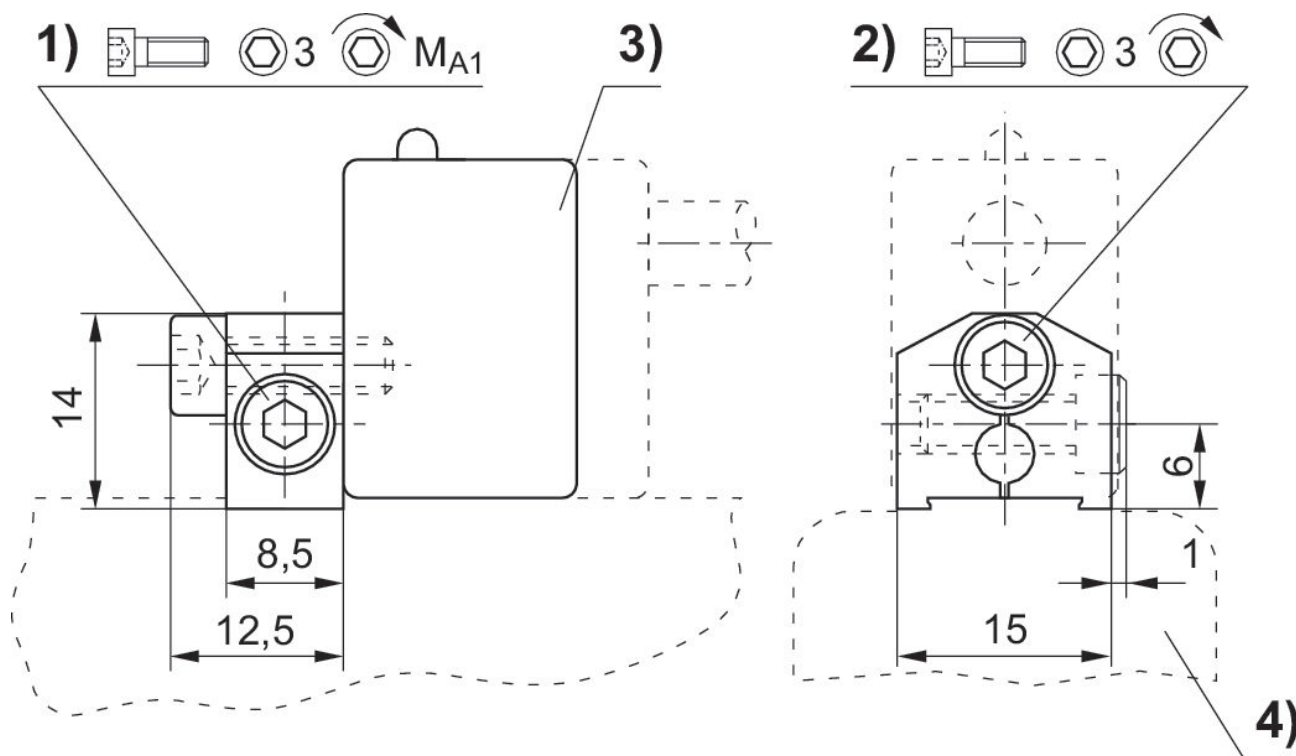


Technical data

Industry	Industrial
For series	PRA
Weight	0.006 kg

Material

Housing material	Aluminum
Part No.	1827020084



1) Clamping screw 2) Mounting screw for sensor 3) Sensor 4) Cylinder profile

Part No.	Clamp- ing screw	MA1 [Nm]
1827020084	M4x12	2