

Reservoir, Series AS1-CLS

1827009639

Series AS1

- Qn = 14500 l/min



Technical data

Industry	Industrial
Parts	Reservoir
Reservoir	reservoir, polycarbonate, without protective guard
Filter reservoir volume	16 cm ³
Condensate drain	semi-automatic, open without pressure
Working pressure min.	1.5 bar
Working pressure max	16 bar
Min. ambient temperature	-10 °C
Max. ambient temperature	50 °C
Min. medium temperature	-10 °C
Max. medium temperature	50 °C
Medium	Compressed air
Weight	0.085 kg

Material

Material reservoir	Polycarbonate
Seal material	Acrylonitrile butadiene rubber
Part No.	1827009639

Technical information

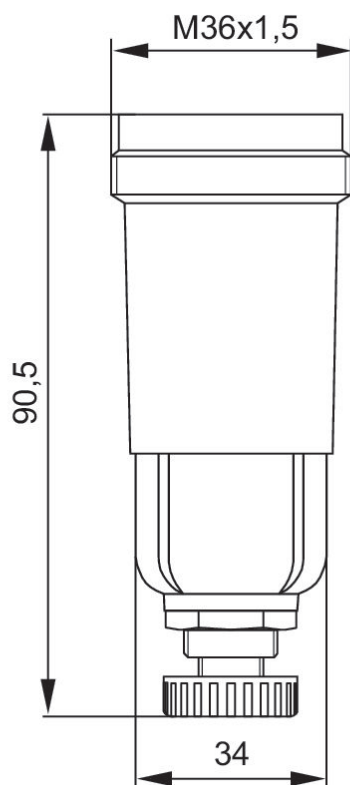
The pressure dew point must be at least 15 °C less than ambient and medium temperature and may not exceed 3 °C.

The oil content of compressed air must remain constant during the life cycle.

Use only the approved oils from AVENTICS. Further information can be found in the “Technical information” document (available in <https://www.emerson.com/en-us/support>).

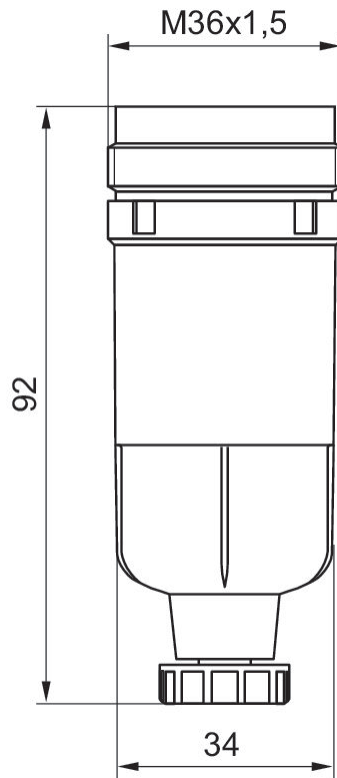
Dimensions in mm

Fig. 2



Dimensions in mm

Fig. 3



Dimensions in mm

Fig. 1

