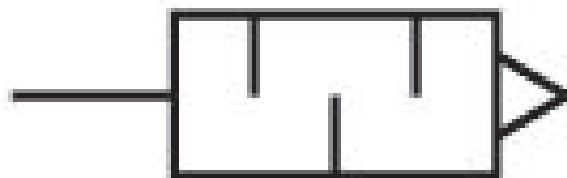


Silencers, series S11

1827000004

General series information
AVENTICS Series S11 Silencers

- AVENTICS Series S11 Silencers offers a broad range of silencers even in Metal or plastic to reduce the noise when Pneumatic products come to exhaust.



Technical data

Industry	Industrial
Medium	Compressed air
Working pressure min.	0 bar
Working pressure max	10 bar
Min. ambient temperature	-25 °C
Max. ambient temperature	80 °C
Compressed air connection	G 3/4
Compressed air connection type	External thread
Sound pressure level	92 dB
Nominal flow Qn	8394 l/min
Delivery unit	1 piece
Weight	0.13 kg

Material

Silencer material

Sintered bronze

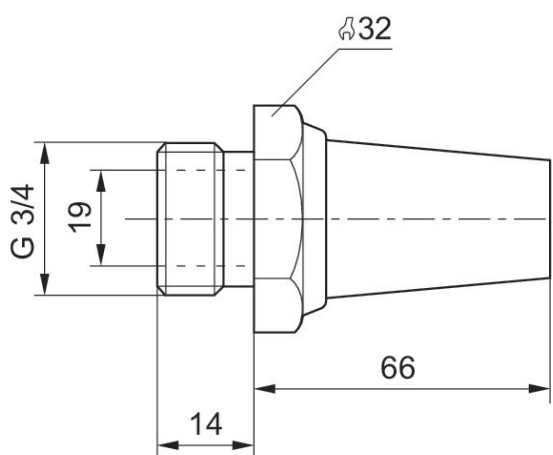
Material thread

Brass

Part No.

1827000004

Dimensions in mm



Flow diagram

1827000004

