

Silencers, series SI1

1827000001

AVENTICS

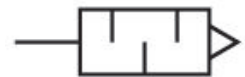
Series SI1

Silencers

2023-11-15

AVENTICS Series SI1 Silencers

AVENTICS Series SI1 Silencers offers a broad range of silencers even in Metal or plastic to reduce the noise when Pneumatic products come to exhaust.



Technical data

Industry	Industrial
Medium	Compressed air
Min. working pressure	0 bar
Max. working pressure	10 bar
Min. ambient temperature	-25 °C
Max. ambient temperature	80 °C
Compressed air connection	G 1/4
Compressed air connection type	External thread
Sound pressure level	79 dB
Nominal flow Qn	3390 l/min
Delivery unit	10 piece
Weight	0.02 kg

Material

Silencer material	Sintered bronze
Material thread	Brass
Part No.	1827000001

Silencers, series SI1

1827000001

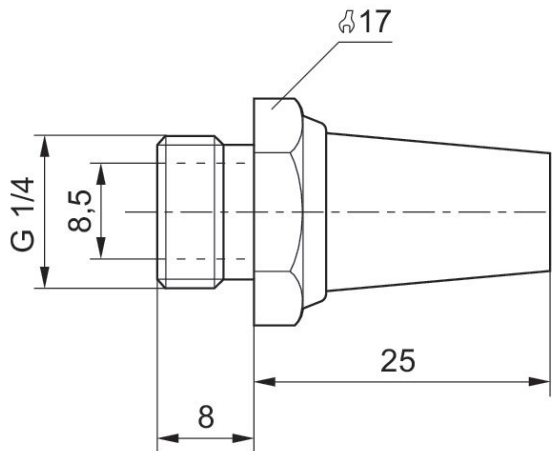
AVENTICS

Series SI1

Silencers

2023-11-15

Dimensions in mm



Flow diagram

1827000001

