

# Base plate

1825504026

ISO 15407-1, Base and end plates



## Technical data

Industry  
Industrial

Type  
Base plate

Type  
C2

Direction of pneumatic port (2,4)  
On the side

Compressed air connection output  
G 1/4

Frame size  
26 mm

Standards  
ISO 15407-1

Working pressure min.  
-0.95 bar

Working pressure max  
16 bar

Min. ambient temperature  
-15 °C

Max. number of valve positions  
1

Grid dimension  
27.1 mm

Mounting screw  
with hexagon socket

Exhaust type  
Ports separated

Exhaust (3,5)  
With directional exhaust (3/5)

Compressed air connection 12  
M5

Compressed air connection 14  
M5

Pilot control exhaust  
With collective pilot air exhaust

Max. ambient temperature  
70 °C

Min. medium temperature  
-15 °C

Max. medium temperature  
70 °C

Medium  
Compressed air

Tightening torque for mounting screws  
4 Nm

Weight  
0.195 kg

## Material

Material base plate

Die-cast aluminum

Seal material

Acrylonitrile butadiene rubber

Part No.

1825504026

## Technical information

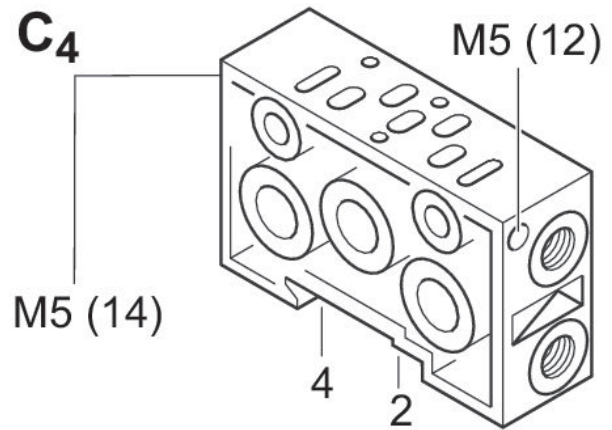
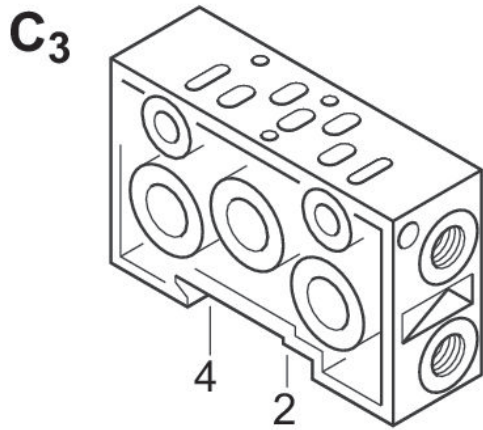
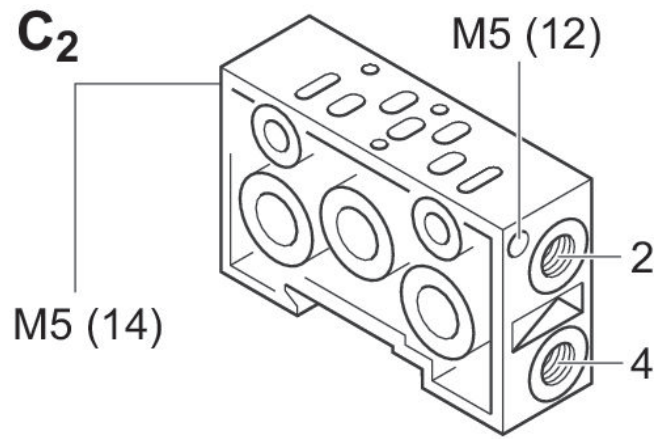
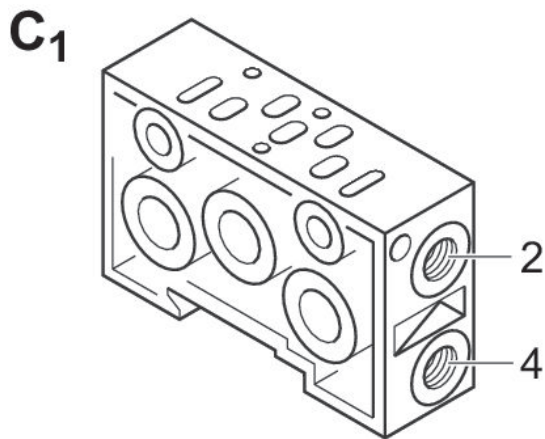
The min. control pressure must be adhered to, since otherwise faulty switching and valve failure may result!

The pressure dew point must be at least 15 °C under ambient and medium temperature and may not exceed 3 °C .

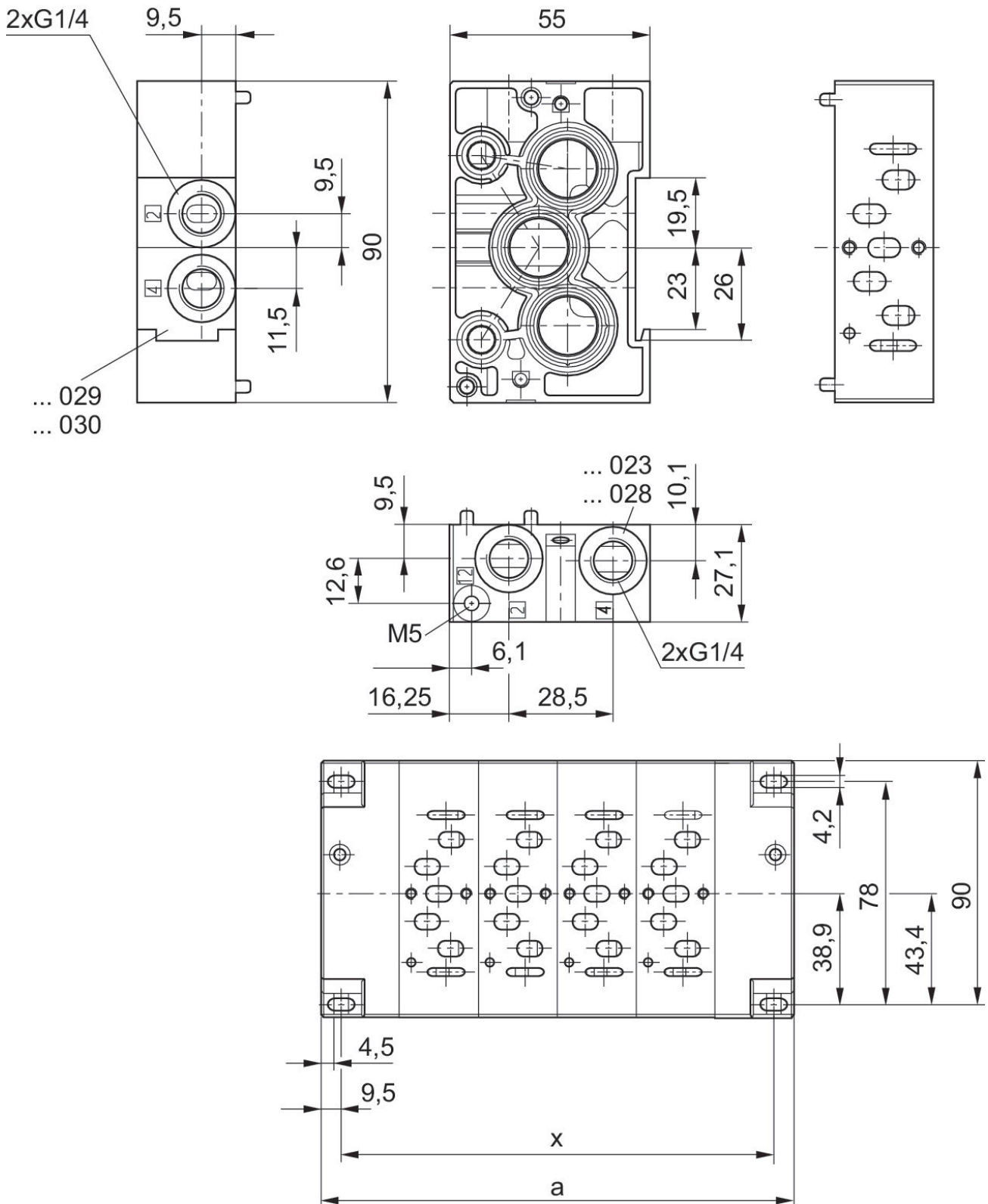
The oil content of compressed air must remain constant during the life cycle.

Use only the approved oils from AVENTICS. Further information can be found in the “Technical information” document (available in <https://www.emerson.com/en-us/support>).

Overview drawing



### Dimensions



n	a	x ±0,3
2	108	94
3	135	121
4	162	148
...	...	...
...	...	...