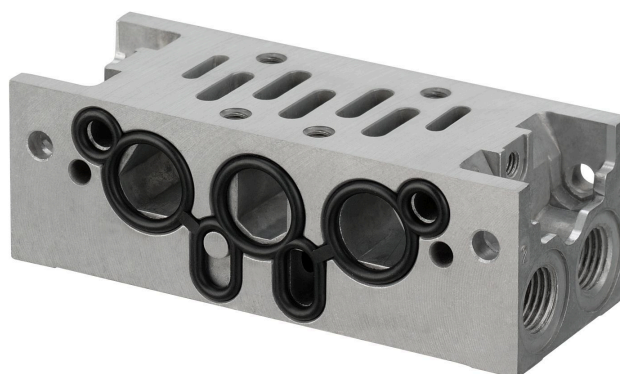


# Base plate, Ports 2 and 4 on side, 1,2 and 4 also on bottom

1825503290



## Technical data

Industry  
Industrial

Type  
Base plate

Direction of pneumatic port (1)  
Down

Compressed air connection input  
G 1/4

Frame size  
ISO 1

Standards  
ISO 5599-1

Working pressure min.  
0 bar

Working pressure max  
16 bar

Min. ambient temperature  
-15 °C

Compressed air connection output  
G 1/4

Exhaust type  
Ports separated

Compressed air connection 12  
M5

Compressed air connection 14  
M5

Max. ambient temperature  
70 °C

Min. medium temperature  
-15 °C

Max. medium temperature  
80 °C

Medium  
Compressed air

Grid dimension  
43 mm  
Mounting screw  
with hexagon socket

Weight  
0.27 kg

## Material

Housing material  
Die-cast aluminum  
Material base plate  
Die-cast aluminum

Seal material  
Acrylonitrile butadiene rubber  
Part No.  
1825503290

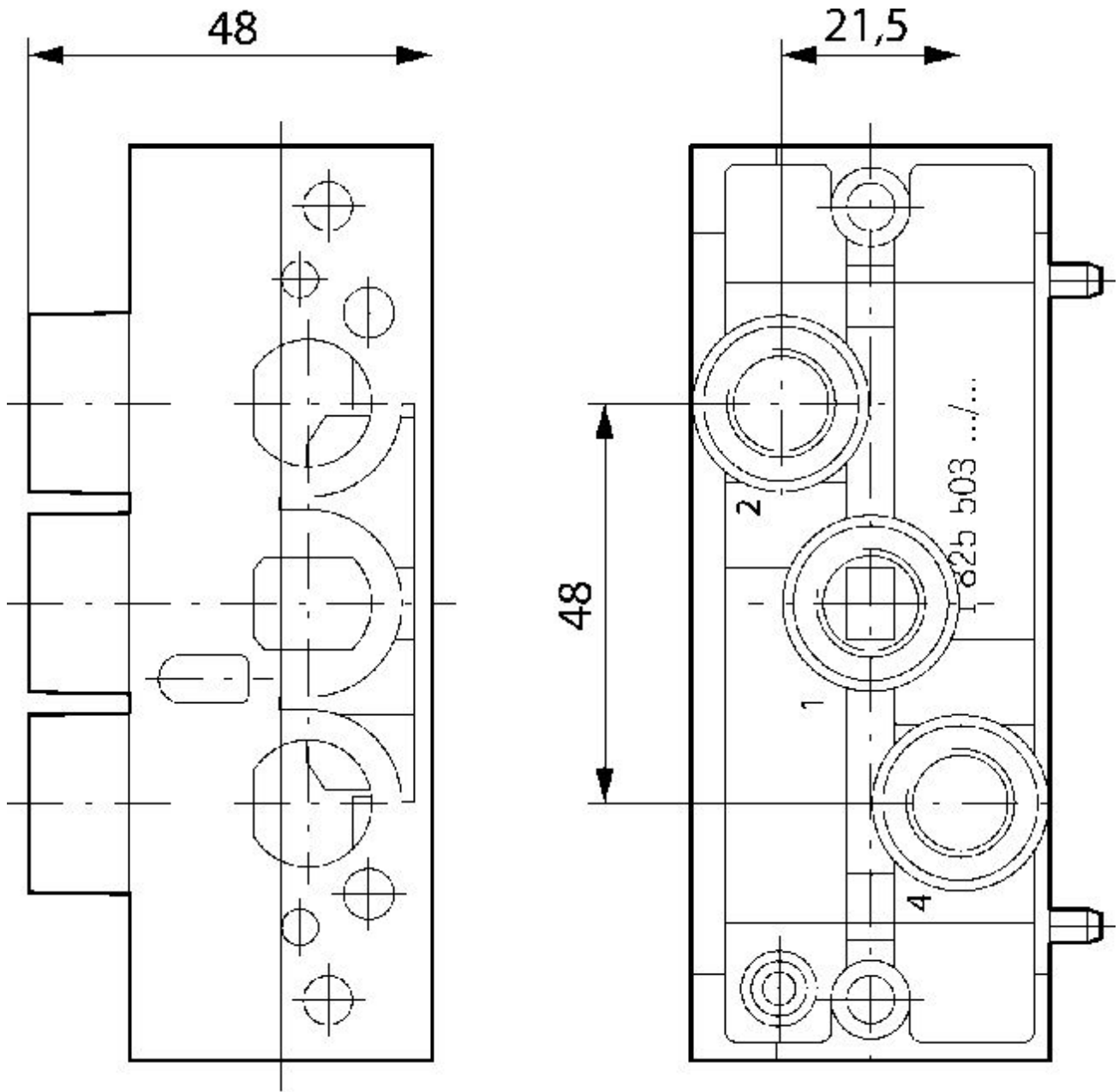
## Technical information

The min. control pressure must be adhered to, since otherwise faulty switching and valve failure may result!

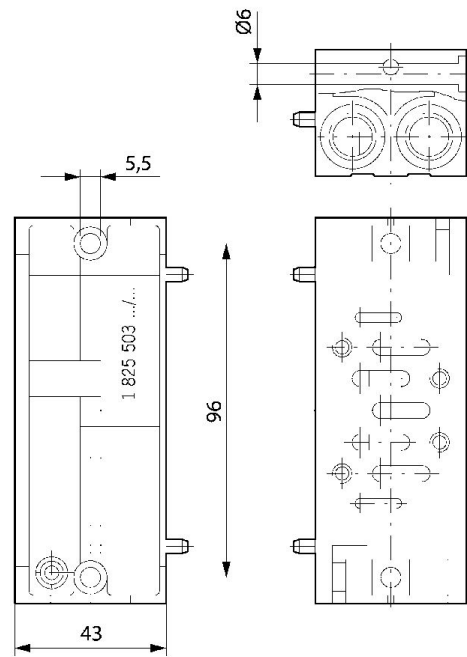
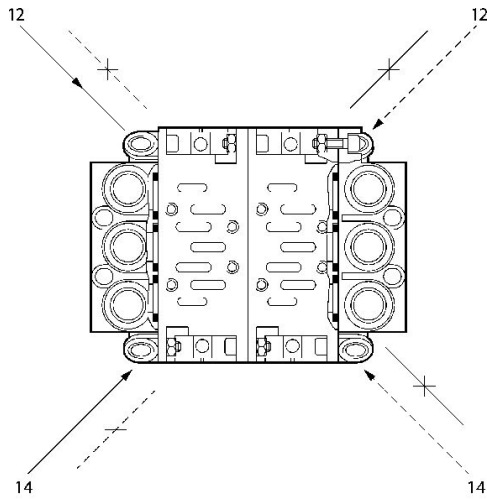
The pressure dew point must be at least 15 °C under ambient and medium temperature and may not exceed 3 °C .

The oil content of compressed air must remain constant during the life cycle.

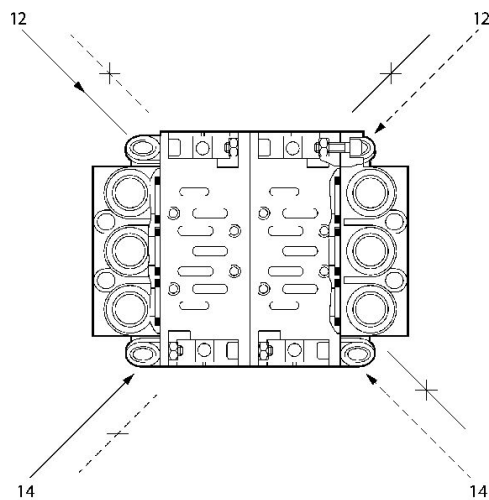
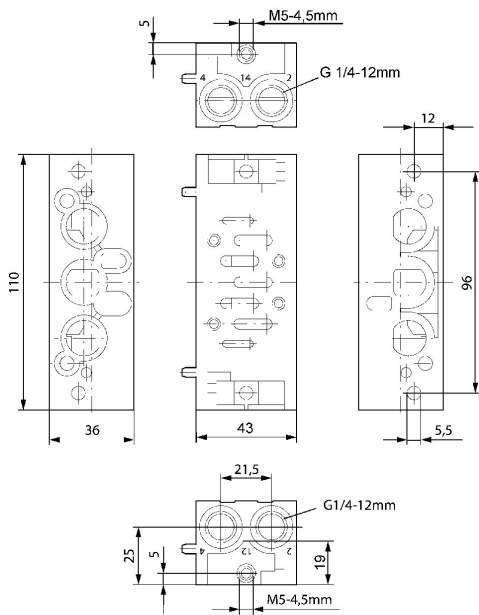
Use only the approved oils from AVENTICS. Further information can be found in the "Technical information" document (available in <https://www.emerson.com/en-us/support>).



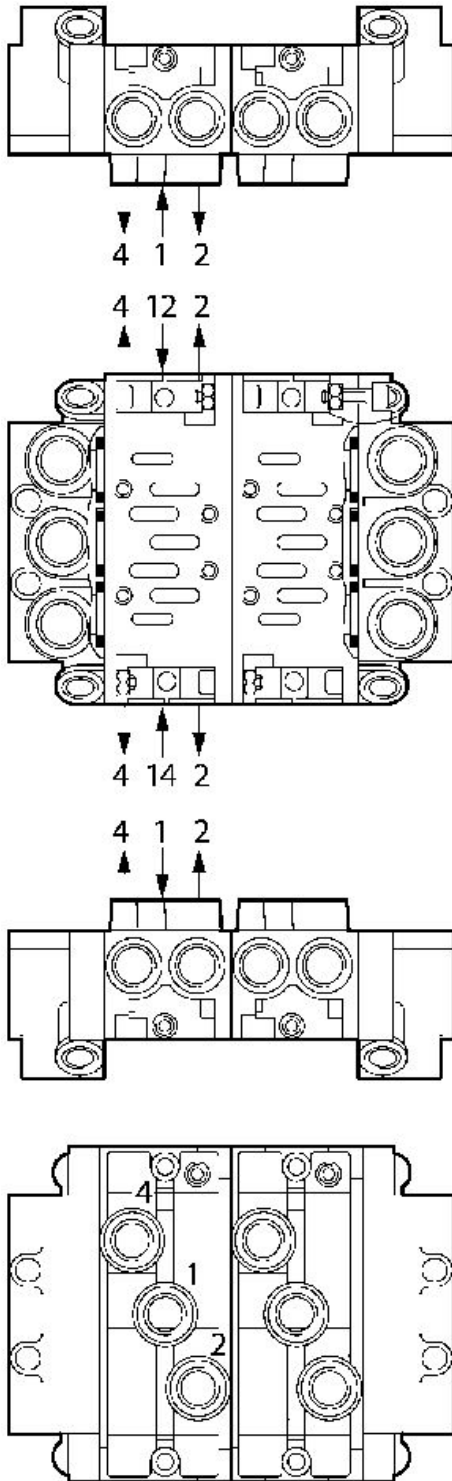
**Fig. 4**  
 Ports 2 and 4 on side, 1,2 and 4 also on  
 bottom  
 Control pressure connection 12+14: central  
 manifold



**Fig. 2**  
 ports 2 and 4 on side  
 Control pressure connection 12+14: central  
 manifold



**Fig. 3**  
Ports 2 and 4 on side, 1,2 and 4 also on  
bottom  
Control pressure connection 12+14: single  
connection



**Fig. 1**  
ports 2 and 4 on side  
Control pressure connection 12+14: single  
connection

