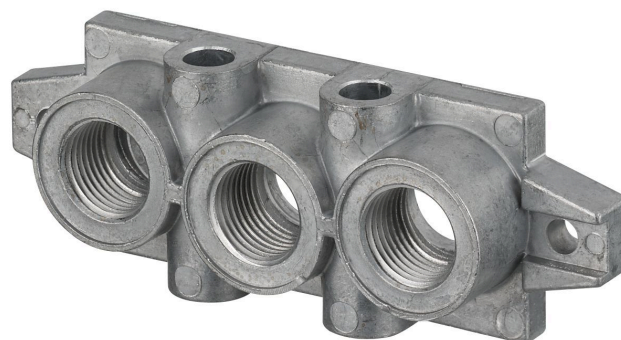


End plate left, End plate right

1825503145



Technical data

Industry
Industrial

Type
End plate

Direction of pneumatic port (1)
On the side

Compressed air connection input
G 3/8

Frame size
ISO 1

Standards
ISO 5599-1

Working pressure min.
-0.95 bar

Working pressure max
16 bar

Min. ambient temperature
-15 °C

Direction of pneumatic port (3,5)
On the side

Port exhaust
G 3/8

Exhaust type
Ports separated

Exhaust (3,5)
With directional exhaust (3/5)

Max. ambient temperature
70 °C

Min. medium temperature
-25 °C

Max. medium temperature
70 °C

Medium
Compressed air

Mounting screw
hexagon head

Weight
0.208 kg

Material

Material base plate
Die-cast aluminum

Part No.
1825503145

Seal material
Acrylonitrile butadiene rubber

Technical information

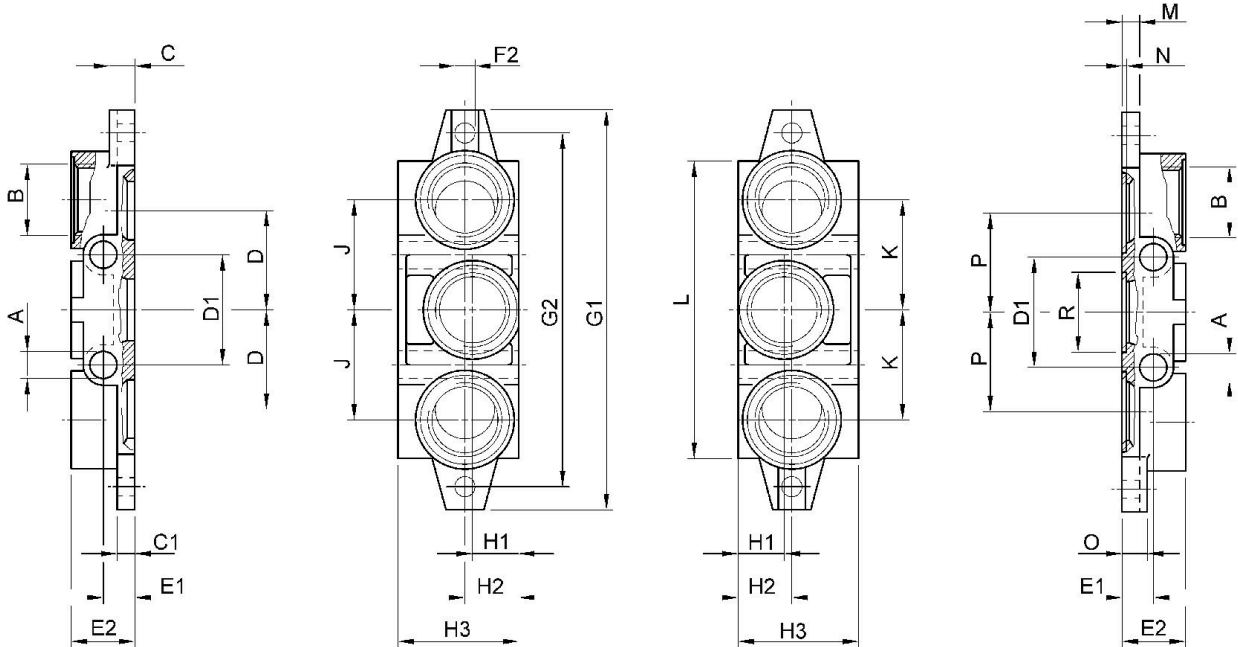
The min. control pressure must be adhered to, since otherwise faulty switching and valve failure may result!

The pressure dew point must be at least 15 °C under ambient and medium temperature and may not exceed 3 °C .

The oil content of compressed air must remain constant during the life cycle.

Use only the approved oils from AVENTICS. Further information can be found in the “Technical information” document (available in <https://www.emerson.com/en-us/support>).

Dimensions



Part No.	A	B	C	C1	D	D1	E1	E2	F2
1825503145	7	G 3/8	8	6	24	28	11	22	Ø 5,5
1825503148	9	G 1/2	11	8	31,5	35	13	26	Ø 6,6

Part No.	A	B	C	C1	D	D1	E1	E2	F2
1825503151	12	G 1	12	8	47	52	15	32	Ø 9

G1	G2	H1	H2	H3	J	K	L	M	N
110	95	22	22	46	28	28	85	6	2
135	115	23	24	47	34	34	100	8	2
190	168	22	25	56	52	52	140	8	2,7

O	P	R
8	24	Ø 22,1
11	31,5	Ø 28,7
12	47	Ø 38