

Single subbase, Logic valves

1825503093

Logic valves

2024-12-10



Technical data

Industry

Industrial

Type

Base plate

Min. working pressure

1 bar

Max. working pressure

10 bar

Min. ambient temperature

0 °C

Max. ambient temperature

80 °C

Medium

Compressed air

Weight

0.087 kg

Material

Material base plate

Aluminum

Surface base plate

black anodized

Seal material

Acrylonitrile butadiene rubber

Part No.

1825503093

Technical information

The delivered product varies from that in the illustration. See the drawing for an exact description.

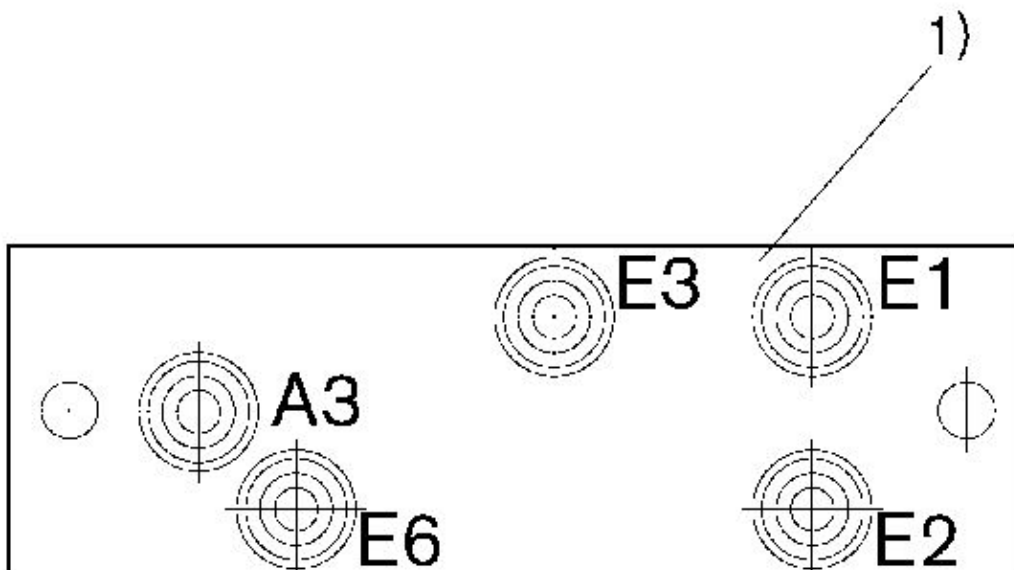
The min. control pressure must be adhered to, since otherwise faulty switching and valve failure may result!

The pressure dew point must be at least 15 °C less than ambient and medium temperature and may not exceed 3 °C.

The oil content of compressed air must remain constant during the life cycle.

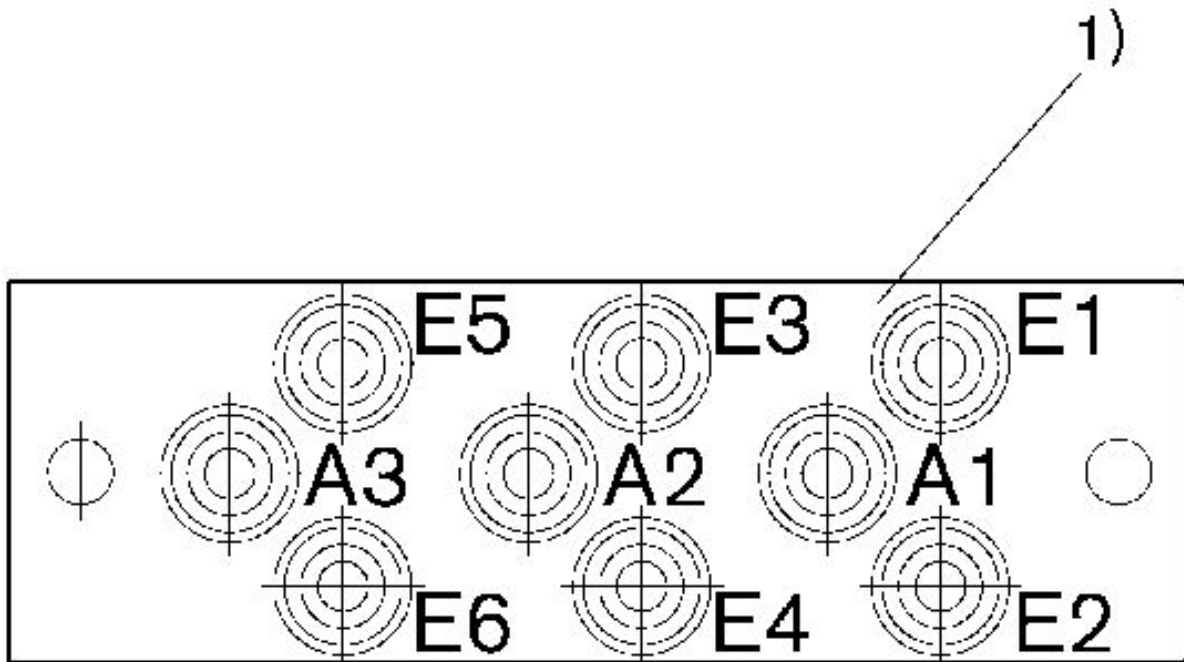
Use only the approved oils from AVENTICS. Further information can be found in the "Technical information" document (available in <https://www.emerson.com/en-us/support>).

Fig. 3: subbase with push-in fitting



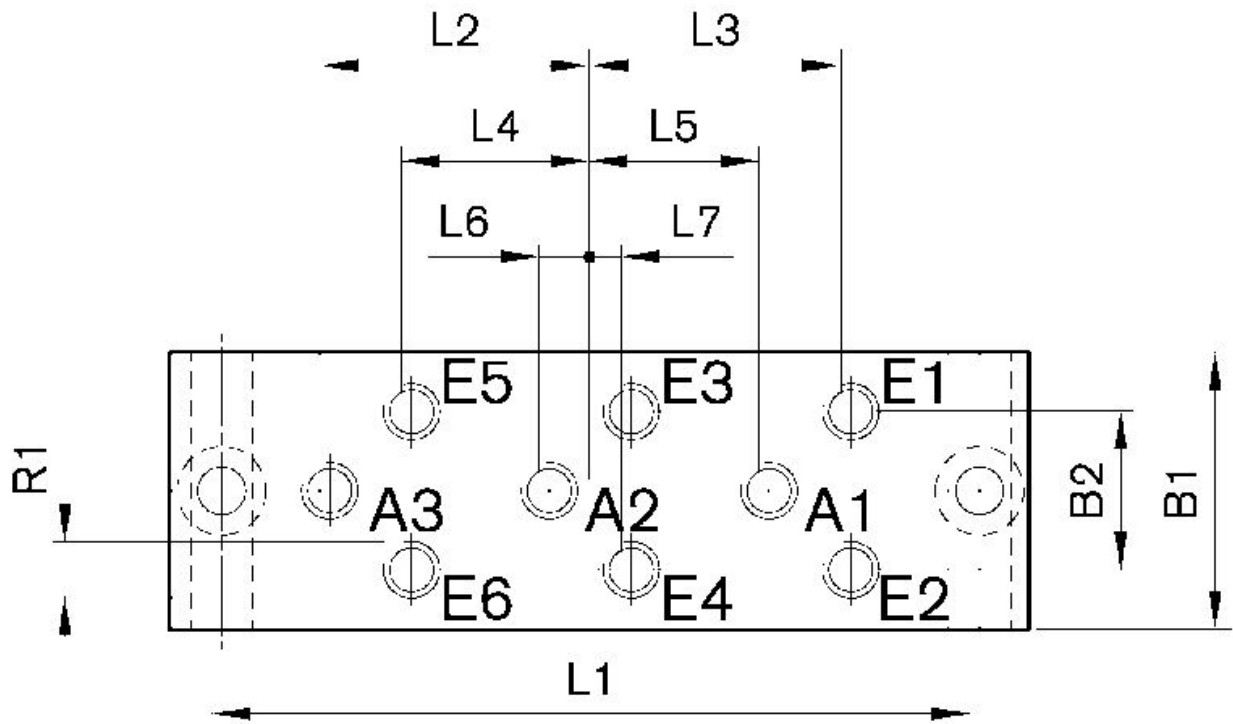
1) 4x slotted screw DIN 84-84-4.8 - M4 x 22

Fig. 2: subbase with push-in fitting



1) 4x slotted screw DIN 84-84-4.8 - M4 x 22

Fig.1: Subbase M5



Part No.	R1	L1	L2	L3	L4	L5	L6	L7	B1	B2
1825503069	M5	80	25	22.5	17.5	15	5	2.5	26.5	15

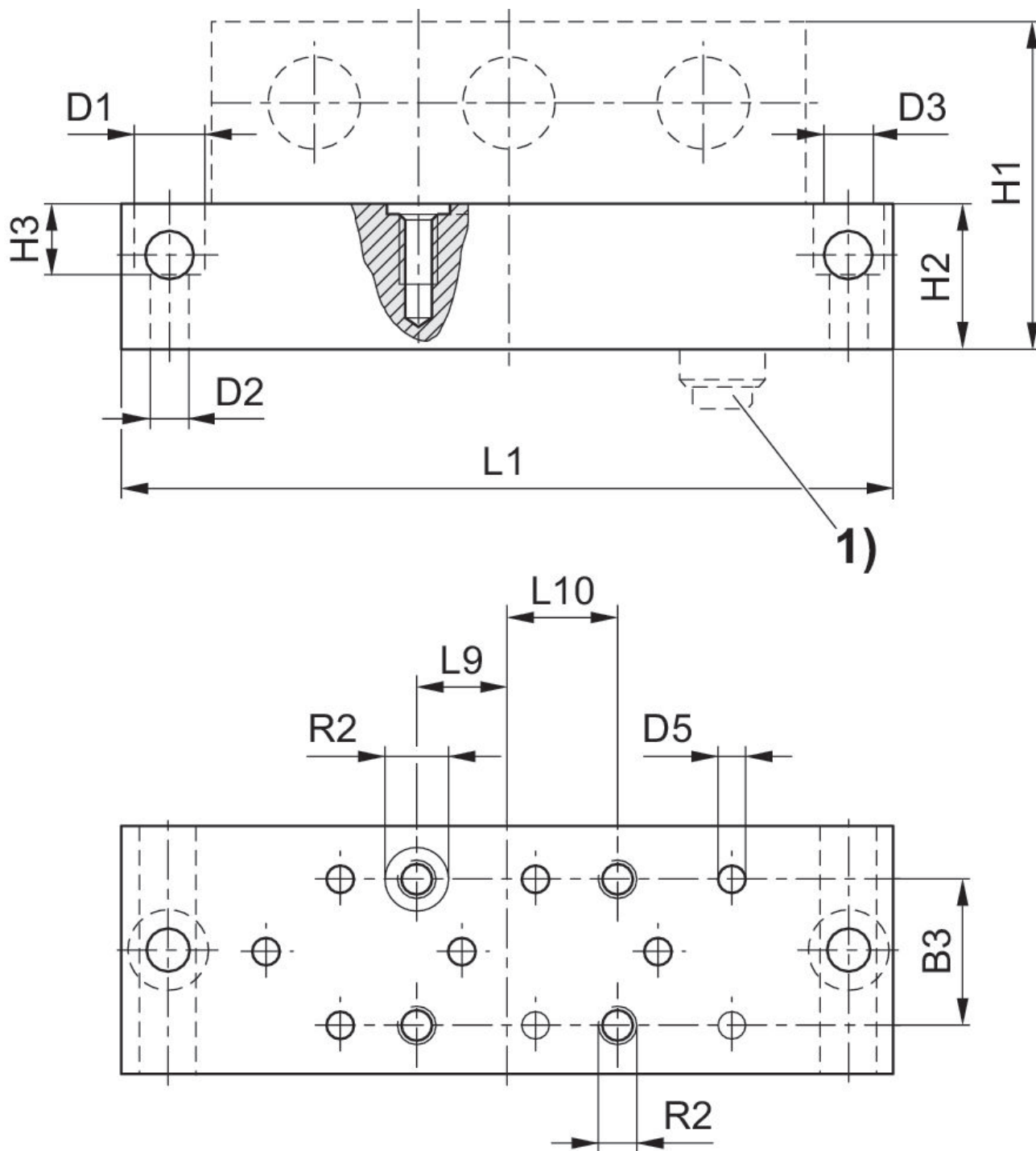
Single subbase, Logic valves

1825503093

Logic valves

2024-12-10

Dimensions



1) only for version with push-in fitting

Part No.	R2	D1	D2	D3	D4	D5	H1	H2	H3	L9
1825503069	M4	8	4.5	5.3	6.2	2.5	34	15	7.2	9.5
1825503070	M4	8	4.5	5.3	6.2	2.5	34	15	7.2	9.5

Single subbase, Logic valves

1825503093

Logic valves

2024-12-10

Part No.	R2	D1	D2	D3	D4	D5	H1	H2	H3	L9
1825503093	M4	8	4.5	5.3	6.2	2.5	34	15	7.2	9.5

Part No.	L10	B3
1825503069	11	15
1825503070	11	15
1825503093	11	15