

# Coupling plug with external thread

1823351018

Series CP1

2024-06-04

## AVENTICS Series CP1 Couplings

The AVENTICS Series CP1 of safe couplings using single snap-on coupling are robust, safe and fit two different plug-in profiles, the EURO- profile and the ARO profile.



## Technical data

Industry	Industrial
Port D	NW 10
Port G	G 1/2
Compressed air connection type	Coupling plug
Nominal width NW	10 mm
Min. working pressure	0 bar
Max. working pressure	16 bar
Min. ambient temperature	-10 °C
Max. ambient temperature	90 °C
Min. medium temperature	-10 °C
Max. medium temperature	90 °C
Medium	Compressed air
Delivery unit	2 piece
Weight per piece	0.076 kg
Housing material	Brass
Surface housing	nickel-plated
	1823351018

# Coupling plug with external thread

1823351018

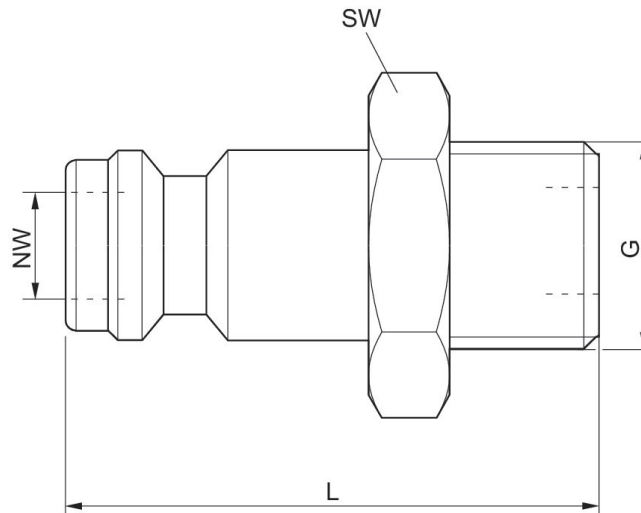
Series CP1

2024-06-04

## Technical information

Coupling plugs are applicable for all locking and safety couplings with adequate nominal width

## Dimensions



Part No.	Port G	Nominal width NW	L	SW
1823351018	G 1/2	10	42	27