

AVENTICS Series NU2 Fittings with tube nuts

AVENTICS Series NU2, are a complete range of plastic and Brass fittings with tube nuts, Versatile and safe NU2 fittings with nuts benefit of a large selection of connection type.



Technical data

Industry	Industrial
Fitting type	tube nut
Type	NU2-S-RNU
Min. working pressure	-0.95 bar
Max. working pressure	15 bar
Min. ambient temperature	-10 °C
Max. ambient temperature	70 °C
Delivery unit	50 piece
Weight	0.005 kg

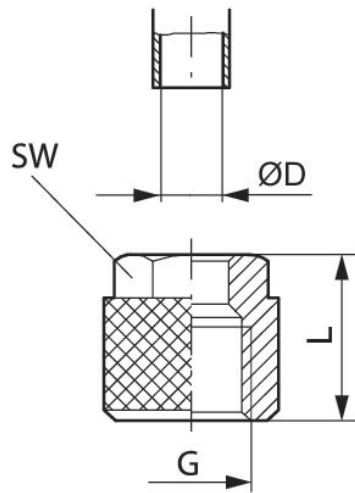
Material

Housing material	Brass
Surface housing	nickel-plated
Part No.	1823340001

Series NU2

2024-04-04

1823340001



Part No.	G	ØD	L	SW
1823313001	M8x0,75	6	11	9
1823340001	M10x1	6	11	10
1823340000	M12x1	8	11.5	12

Connection D = inside diameter of the tubing to be used