

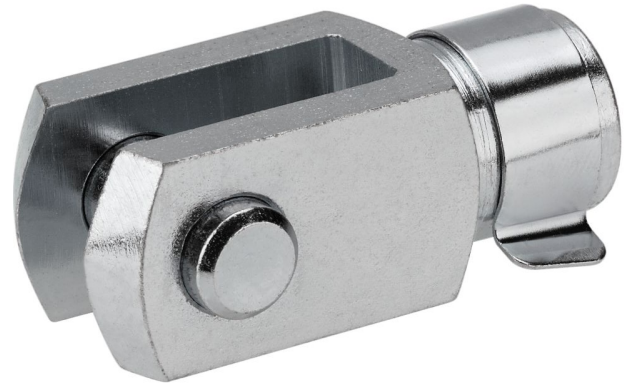
# Rod clevis AP2, Series CM2

1822122004

Rod  
clevises

2023-10-06

## AVENTICS Rod clevises



### Technical data

Industry

Industrial

For series

to mount on cylinder PRA, TRB, CCI, MNI, ICM, KPZ, KHZ, 167, CVI, RPC, RDC, ITS

For series

PRA  
TRB  
KPZ  
167  
CVI  
102

Thread size

M20x1,5

Weight

0.7 kg

### Material

Housing material

Steel, chrome-plated

Surface housing

galvanized

Part No.

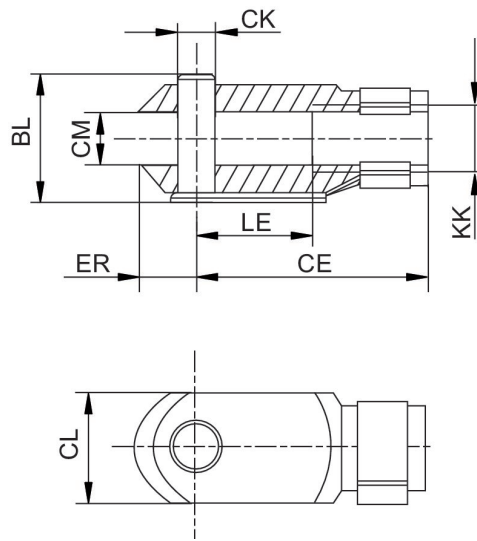
1822122004

# Rod clevis AP2, Series CM2

1822122004

Rod  
clevises

2023-10-06



| KK       | Part No.   | BL   | CE  | ØCK e11 | CL | CM | ØD1 | ER | LE |
|----------|------------|------|-----|---------|----|----|-----|----|----|
| M4       | 1822122028 | 11   | 16  | 4       | 8  | 4  | 8   | 5  | 8  |
| M6       | 1822122009 | 16   | 24  | 6       | 12 | 6  | 10  | 7  | 12 |
| M8       | 1822122010 | 21,5 | 32  | 8       | 16 | 8  | 14  | 10 | 16 |
| M10x1,25 | 1822122024 | 26   | 40  | 10      | 20 | 10 | 18  | 12 | 20 |
| M12x1,25 | 1822122025 | 31   | 48  | 12      | 24 | 12 | 20  | 14 | 24 |
| M16x1,5  | 1822122005 | 39   | 64  | 16      | 32 | 16 | 26  | 19 | 32 |
| M20x1,5  | 1822122004 | 50   | 80  | 20      | 40 | 20 | 34  | 20 | 40 |
| M10      | 8958000122 | 26   | 40  | 10      | 20 | 10 | 18  | 12 | 20 |
| M12      | 8958000132 | 31   | 48  | 12      | 24 | 12 | 20  | 14 | 24 |
| M48x2    | 8958019332 | 122  | 192 | 50      | 96 | 50 | 82  | 73 | 96 |
| M5       | 1822122008 | 13,5 | 20  | 5       | 10 | 5  | 9   | 6  | 10 |