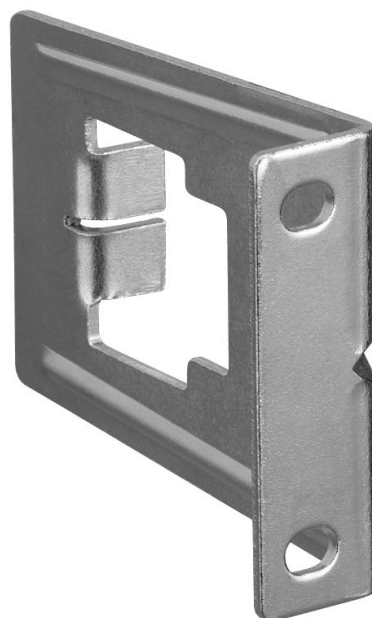


Mounting bracket

1821332050

Mechanical accessories



Technical data

Industry
Industrial

Type
Mounting bracket

Delivery unit
1 piece

Weight
0.1 kg

Part No.
1821332050

Technical information

