

1821331013

Series NL1

Qn = 14500 l/min



Technical data

Industry

Industrial

Min. ambient temperature

-40 °C

Max. ambient temperature

60 °C

Weight

0.065 kg

Housing material

Steel, chrome-plated

Surface housing

galvanized

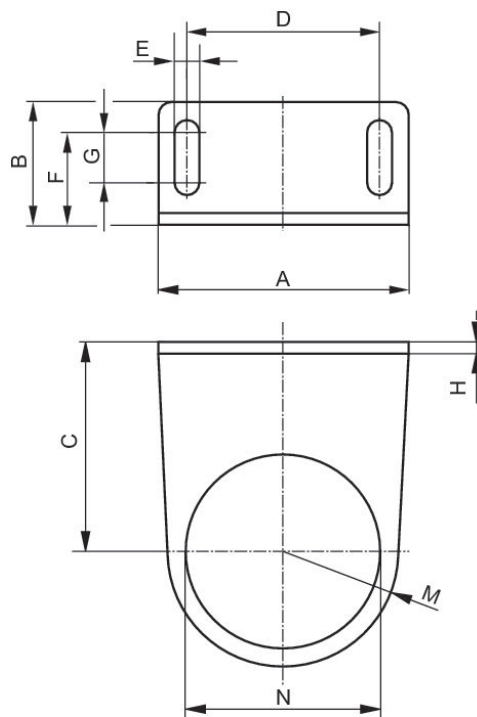
1821331013

Dimensions

Mounting bracket, Series NL1/NL2-MBR-...-W02

2024-04-23

1821331013



Part No.	A	B	C	D	E	F	G	H	M
1821331013	48	27	43.5	38	5.4	18.5	8	3	20

Part No.	N
1821331013	30.5