

# Tubing clamp for reinforced plastic tubing, DIN 3017 form A

2024-05-06

1821310003

Tubing clamp for reinforced plastic tubing, DIN 3017 form A



## Technical data

Industry	Industrial
Type	Ø 12-20
Clearance (LW)	13 mm
Delivery unit	25 piece
Weight	0.011 kg

## Material

Housing material	Stainless Steel
Part No.	1821310003

## Technical information

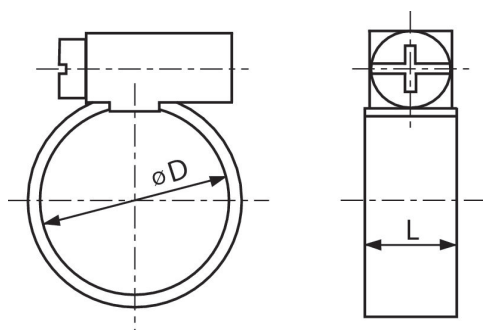
Materials: band and housing made of chrome steel 1.4016, screw made of yellow chromated steel Cq15. Category W2: low to medium corrosion resistance requirements, but detachability of corroded connections is ensured.

# Tubing clamp for reinforced plastic tubing, DIN 3017 form A

2024-05-06

1821310003  
Dimensions

---



Part No.	$\varnothing D$	L
1821310002	8-12	9
1821310001	10-16	9
1821310003	12-20	9
1821310000	20-32	9