

Tubing clamp for reinforced plastic tubing, DIN 3017 form A

2024-05-06

1821310002

Tubing clamp for reinforced plastic tubing, DIN 3017 form A



Technical data

| | |
|----------------|------------|
| Industry | Industrial |
| Type | Ø 8-12 |
| Clearance (LW) | 4 mm |
| Delivery unit | 25 piece |
| Weight | 0.004 kg |

Material

| | |
|------------------|-----------------|
| Housing material | Stainless Steel |
| Part No. | 1821310002 |

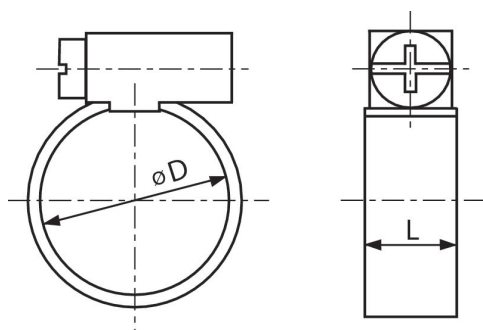
Technical information

Materials: band and housing made of chrome steel 1.4016, screw made of yellow chromated steel Cq15. Category W2: low to medium corrosion resistance requirements, but detachability of corroded connections is ensured.

Tubing clamp for reinforced plastic tubing, DIN 3017 form A

2024-05-06

1821310002
Dimensions



| Part No. | $\varnothing D$ | L |
|------------|-----------------|---|
| 1821310002 | 8-12 | 9 |
| 1821310001 | 10-16 | 9 |
| 1821310003 | 12-20 | 9 |
| 1821310000 | 20-32 | 9 |