



Technical data

Industry

Industrial

Type

NL4

Weight

0.14 kg

Material

Housing material

Steel, chrome-plated

Surface housing

black oxidized

Part No.

1820507001

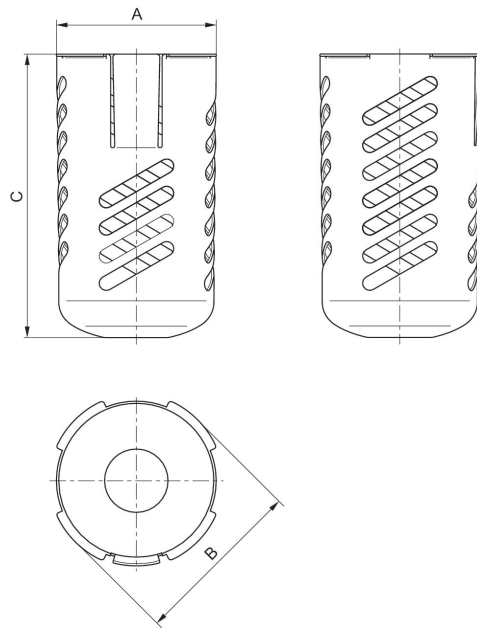
Technical information

Can be retrofitted for PC reservoir

Protective guard

2024-05-06

1820507001



| Part No. | Type | A | B | C | | |
|-------------|------|------|------|-----|--|--|
| 1820507001 | NL4 | 57,8 | 62,6 | 103 | | |
| tablefooter | | | | | | |
| | | | | | | |