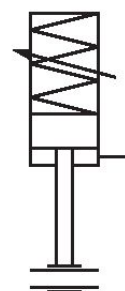


Locking unit, Series LU1

0821401131

General series information
AVENTICS Series LU1 Locking units

- The AVENTICS Series LU1 is a an holding unit using eccentric movement to hold the piston rod in any position.



Technical data

Industry

Industrial

Function

Clamp with eccentric tappet

Function

Hold: adjustable spring force

Release: compressed air

Piston Ø

40 mm

suitable piston rod Ø

16 mm

Piston rod extension

81 mm

Compressed air connection

G 1/8

Release pressure min.

2 bar

Release pressure max.

8 bar

Min. medium temperature

-20 °C

Max. medium temperature

80 °C

Medium	Compressed air
Max. particle size	5 µm
Min. ambient temperature	-20 °C
Max. ambient temperature	80 °C
Oil content of compressed air min.	0 mg/m ³
Oil content of compressed air max.	5 mg/m ³
Static holding force	1100 N
Weight	1.75 kg

Material

Housing	Aluminum
Surface housing	anodized
Cover	Die-cast aluminum
Part No.	0821401131

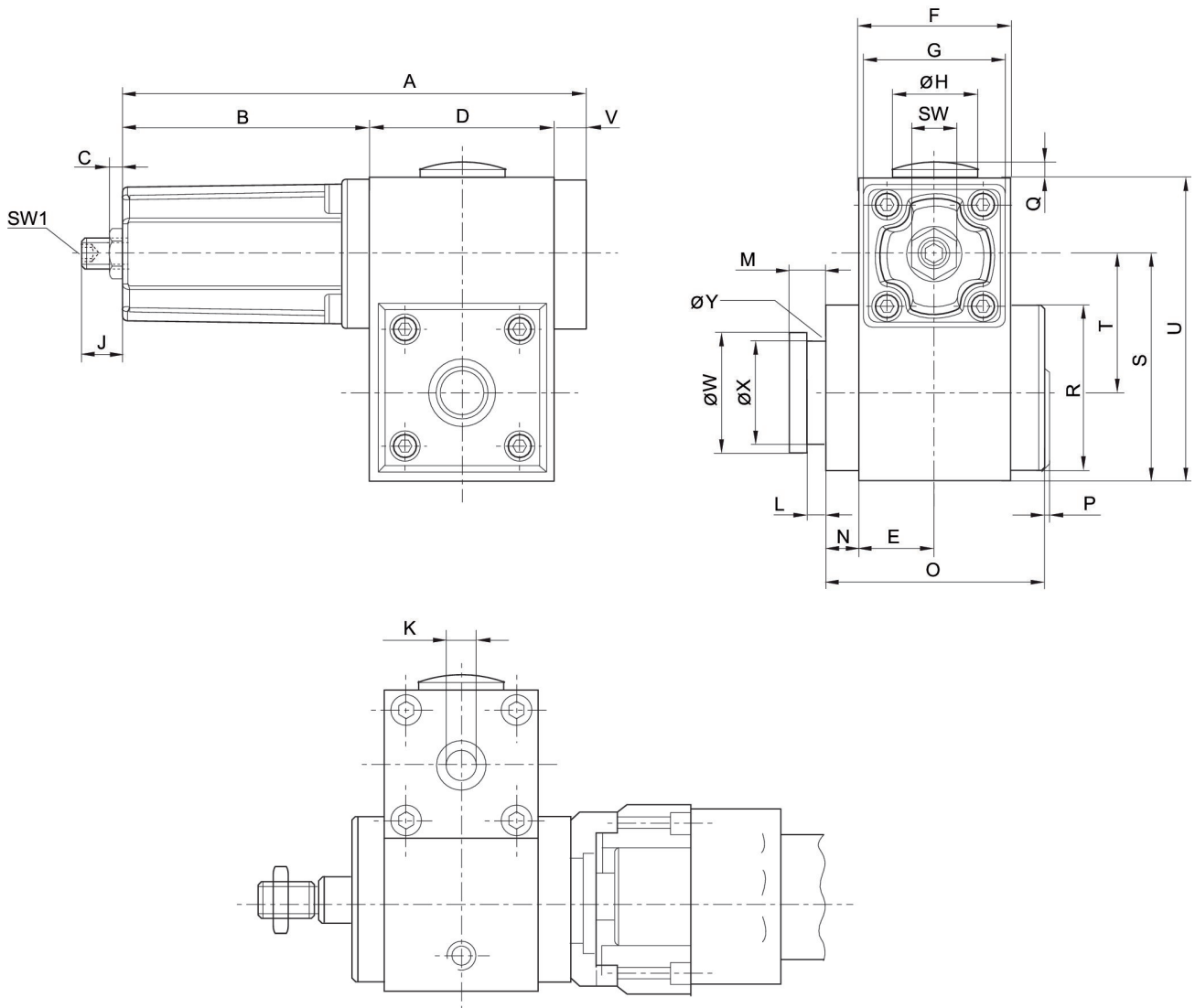
Technical information

Warning: The Locking unit may not be used for the following applications: - for dynamic holding - in or as safety equipment

Locking unit may only be unlocked when turned off.

Note: The minimum release pressure is \geq the working pressure of the cylinder! The holding force is dependent on the set spring force

Dimensions



Piston Ø	Part No.	A	B	C	D	E	F	G	ØH
32	0821401130	135	69	10	56	23	46	45	30
40	0821401131	135	69	10	56	23	46	45	30
50, 63	0821401132	169	90	10	69	30	60	55	30
80, 100	0821401133	208	98	16.7	100	40	80	65	37.5

Piston Ø	J	K	L	M	N	O	P	Q	R
32	19	G 1/8	4.1	8	9	65	3	2.5	50
40	18	G 1/8	5.1	10	9	65	3	2.5	50
50, 63	17	G 1/8	5.1	10	9	84	3	2.5	60
80, 100	15	G 1/8	8.1	16	13	118	3	2	90

Piston Ø	S	SW	SW1	T	U	V	ØW	ØX	ØY
32	69	15	5	41.9	92	10	29.9	24	3
40	69	15	5	40.5	92	10	39.9	30	3
50, 63	80	15	5	48	111	10	39.9	30	3
80, 100	119	24	8	72	155	10	54.9	40	5