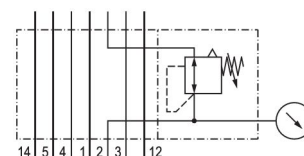
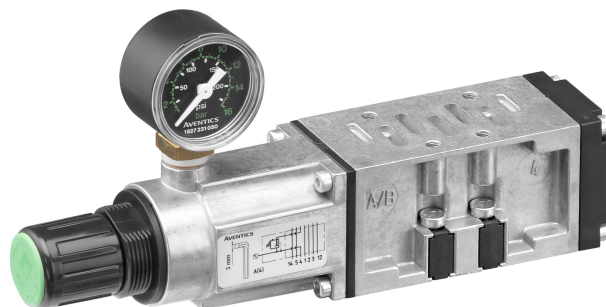


Pressure regulator for vertical stacking

0821302062

Series HF03-LG

■ $Q_n = [[700] \text{ l/min}]$



Technical data

Industry
Industrial

standard
ISO 5599-1

Frame size
ISO 1

Controlled port
2

Working pressure max
16 bar

Regulation range min.
0.5 bar

Regulation range max.
12 bar

Min. ambient temperature
5 °C

Max. ambient temperature
50 °C

Medium

Compressed air

Max. particle size

5 μm

Oil content of compressed air min.

0 mg/m^3

Oil content of compressed air max.

5 mg/m^3

Weight

1.19 kg

Housing material

Zinc

Seal material

Butadiene rubber

Part No.

0821302062

Technical information

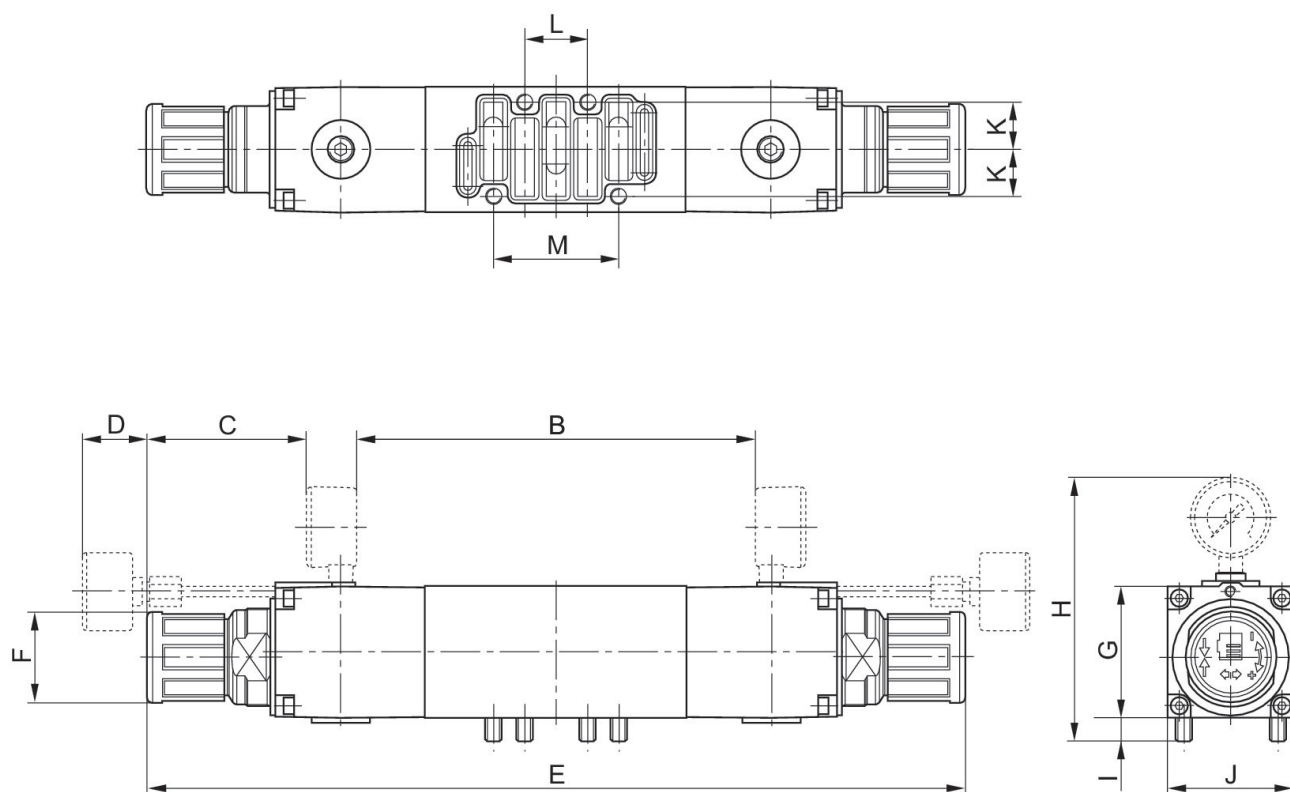
The min. control pressure must be adhered to, since otherwise faulty switching and valve failure may result!

The pressure dew point must be at least 15 °C under ambient and medium temperature and may not exceed 3 °C .

The oil content of compressed air must remain constant during the life cycle.

Use only the approved oils from AVENTICS. Further information can be found in the “Technical information” document (available in <https://www.emerson.com/en-us/support>).

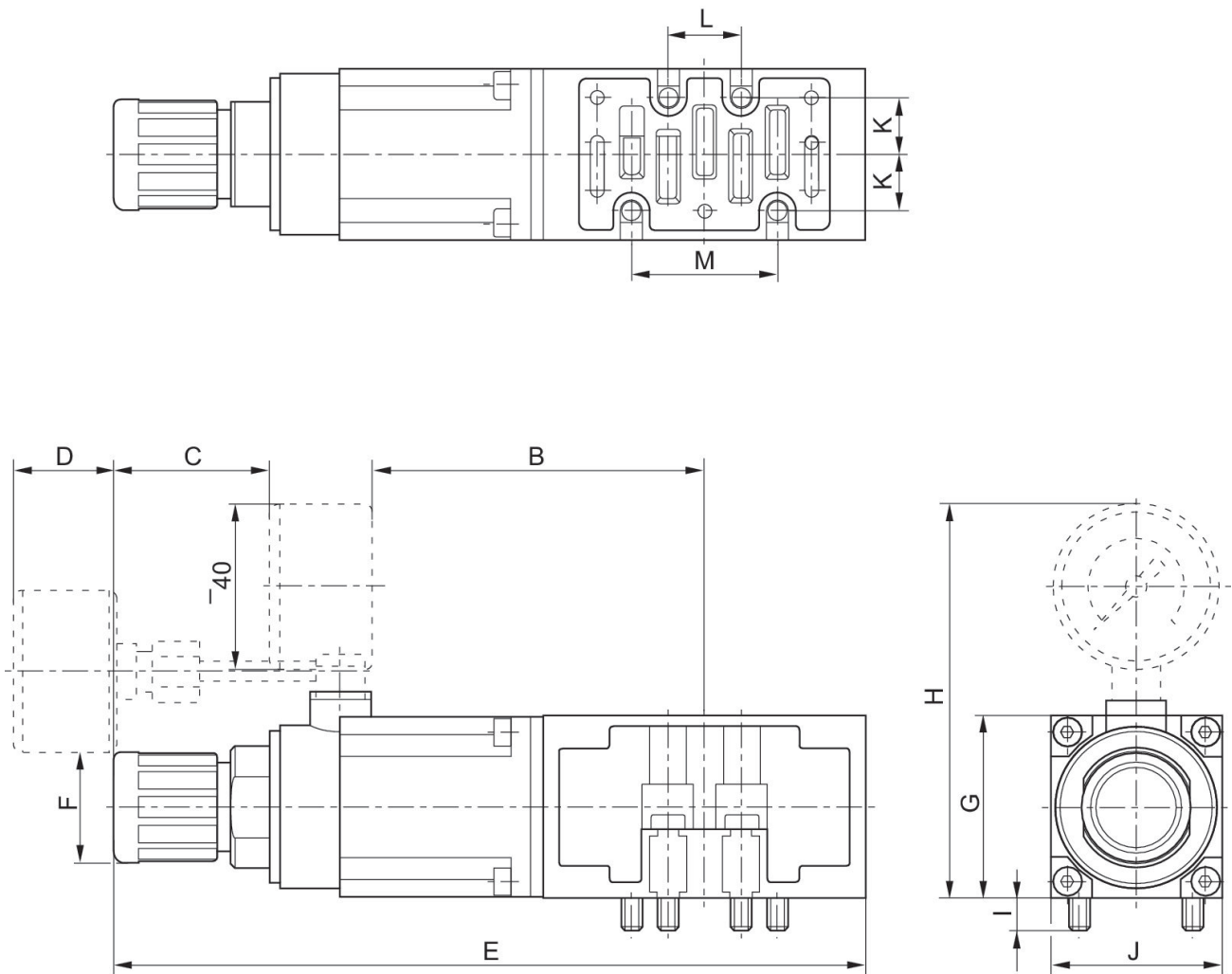
Fig. 2



Part No.	B±5	C±5	D±5	E±7	Ø F	G±5	H±5	I±2.5	J±5
0821302051	164	38,6	—	292	27	45	96,5	8	42,5
0821302061	—	—	25	292	27	45	—	8	42,5

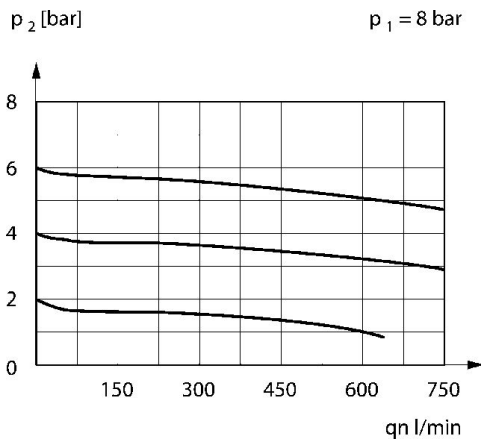
Part No.	K±2.5	L±2.5	M±5
0821302051	14	18	36
0821302061	14	18	36

Fig. 1



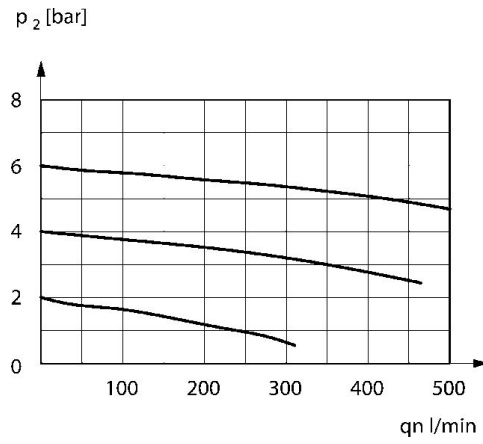
Part No.	B±5	C±5	D±5	E±7	Ø F	G±5	H±5	I±2.5	J±5
0821302048	82	38,6	—	186	27	45	97,5	8	42.5
0821302060	—	—	25	186	27	45	97,5	8	42.5
0821302054	82	38,5	—	199	27	45	97,5	8	42.5
0821302062	—	—	25	199	27	45	97,5	8	42.5

Part No.	K±2.5	L±2.5	M±5
0821302048	14	18	36
0821302060	14	18	36
0821302054	14	18	36
0821302062	14	18	36



Controlled connection 2/4

Flow rate characteristic, $p_2 = 0,05 - 7$ bar



controlled connection 1
Controlled connection 2
Controlled connection 4