

# Series CH01

0821201011

Series CH01

■  $Q_n = [[38] \text{ l/min}] \dots [[2800] \text{ l/min}]$



## Technical data

Industry  
Industrial

Working pressure min.  
0 bar

Working pressure max  
10 bar

Min. ambient temperature  
0 °C

Max. ambient temperature  
80 °C

Min. medium temperature  
0 °C

Max. medium temperature  
80 °C

Port 1  
G 1/4

Port 2  
G 1/4

Medium

Compressed air

Compressed air connection type 2  
Internal thread

Compressed air connection type  
Internal thread

Throttle bore Ø  
4 mm

Flow  $Q_n$   
700 l/min

Weight  
0.045 kg

Housing material  
Aluminum

Surface housing  
anodized

Seal material  
Acrylonitrile butadiene rubber

Material flow control screw  
Steel  
Surface flow control screw  
galvanized

Part No.  
0821201011

### Technical information

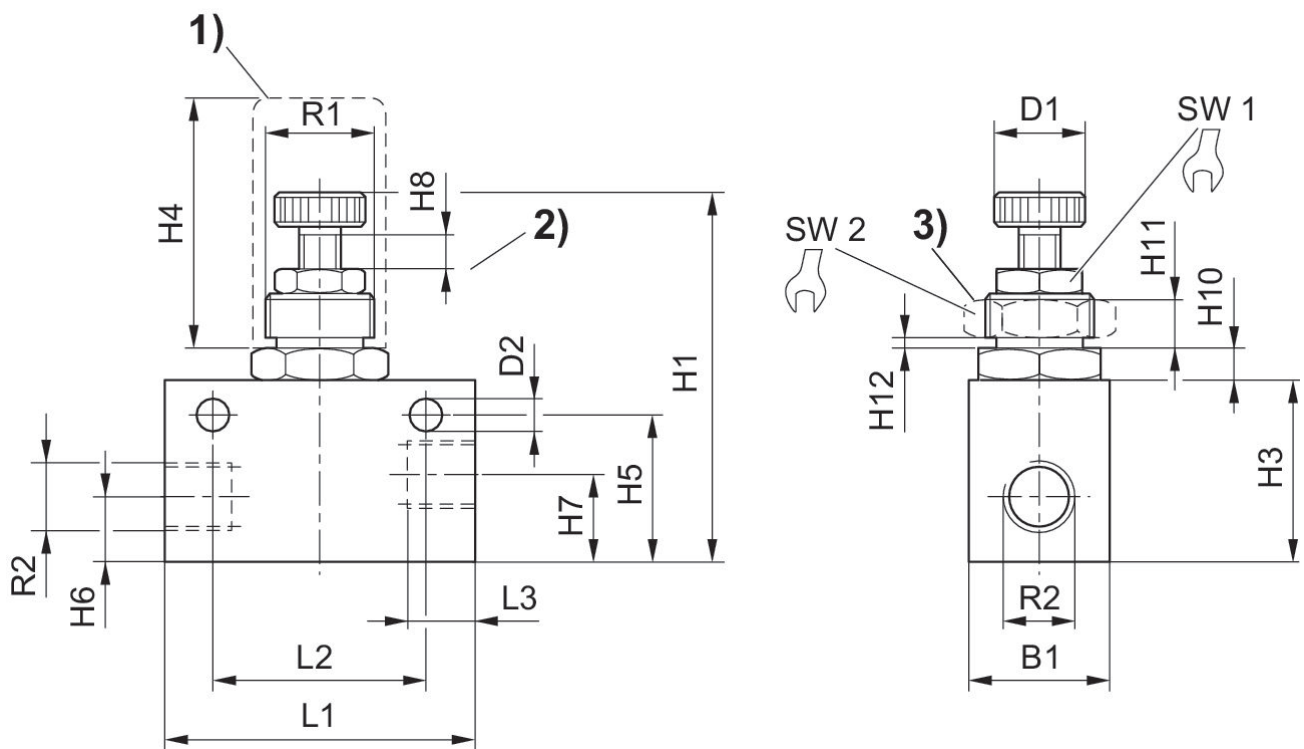
The min. control pressure must be adhered to, since otherwise faulty switching and valve failure may result!

The pressure dew point must be at least 15 °C under ambient and medium temperature and may not exceed 3 °C .

The oil content of compressed air must remain constant during the life cycle.

Use only the approved oils from AVENTICS. Further information can be found in the “Technical information” document (available in <https://www.emerson.com/en-us/support>).

Fig. 1



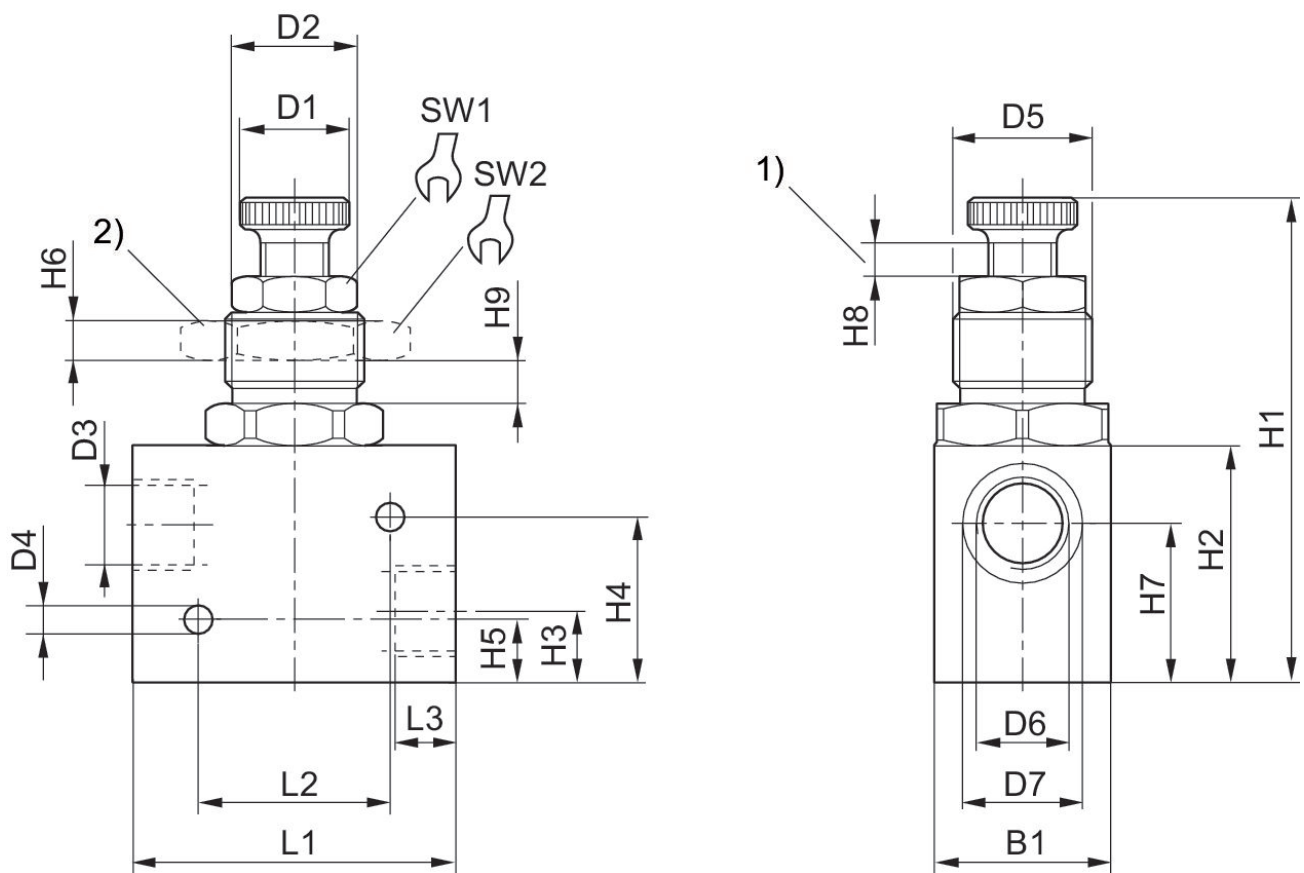
1) protective cap 2) throttle setting range 3) nut for control panel installation

| Part No.   | Port G | R1      | R2    | B1 | D1  | D2  | H1 | H3 | H4 |
|------------|--------|---------|-------|----|-----|-----|----|----|----|
| 0821201010 | G 1/8  | M12x1   | G 1/8 | 16 | 9,8 | 4,5 | 56 | 20 | 35 |
| 0821201004 | G 1/8  | M12x1   | G 1/8 | 16 | 9,8 | 4,5 | 56 | 20 | 35 |
| 0821201011 | G 1/4  | M20x1,5 | G 1/4 | 25 | 15  | 5,5 | 70 | 32 | 40 |

| Part No.   | H5   | H6 | H7 | H8 | H10 | H11 | H12 | L1 | L2 |
|------------|------|----|----|----|-----|-----|-----|----|----|
| 0821201010 | 16.5 | 8  | 8  | 4  | 4,2 | 4   | 0   | 35 | 25 |
| 0821201004 | 16.5 | 8  | 8  | 4  | 4,2 | 4   | 0   | 35 | 25 |
| 0821201011 | 26   | 11 | 15 | 5  | 5.5 | 6   | 0   | 55 | 38 |

| Part No.   | L3 | SW1 | SW2 |
|------------|----|-----|-----|
| 0821201010 | 8  | 10  | 17  |
| 0821201004 | 8  | 10  | 17  |
| 0821201011 | 12 | 13  | 24  |

Fig. 2



1) throttle setting range 2) nut for control panel installation

| Part No.   | Port G | D1 | D2   | D3 | D4  | D5      | D6   | D7 | B1 |
|------------|--------|----|------|----|-----|---------|------|----|----|
| 0821201006 | G 1/2  | 27 | 27,5 | 19 | 6,5 | M32x1,5 | G1/2 | 27 | 40 |

| Part No.   | H1  | H2 | H3 | H4   | H5   | H6 | H7 | H8 | H9 |
|------------|-----|----|----|------|------|----|----|----|----|
| 0821201006 | 120 | 50 | 17 | 40.5 | 15.5 | 9  | 38 | 8  | 9  |

| Part No.   | L1   | L2 | L3 | SW1 | SW2 |
|------------|------|----|----|-----|-----|
| 0821201006 | 75.3 | 45 | 14 | 24  | 46  |